

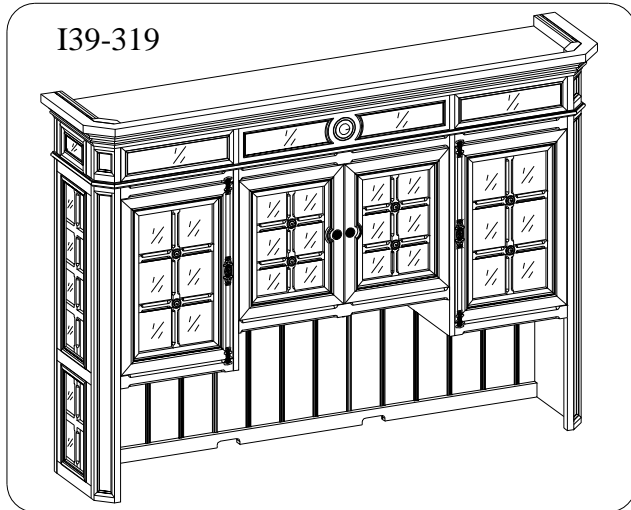


ITEM NO: I39-319 75" Credenza Hutch

Thank you for purchasing this quality product. Be sure to check all packing material carefully for small parts that may come loose inside the carton during shipment.



**UNIT SHOULD BE INSTALLED BY 2 OR MORE PERSONS.**



BEFORE USING THIS PRODUCT PLEASE READ, UNDERSTAND, AND FOLLOW THESE INSTRUCTIONS.

Save these instructions for future reference.

**TOOLS REQUIRED (NOT PROVIDED)**

PHILLIPS SCREWDRIVER

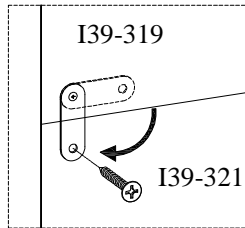
**HARDWARE LIST:**

No.	Description	Sketch	Quantity
A	Shelf Bracket		12 PCS

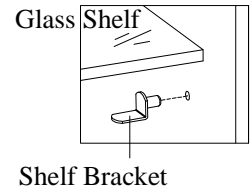
**COMPONENTS LIST:**

No.	Description	Sketch	Quantity
1	Middle Glass Shelf		1 PC
2	Side Glass Shelf		2 PCS

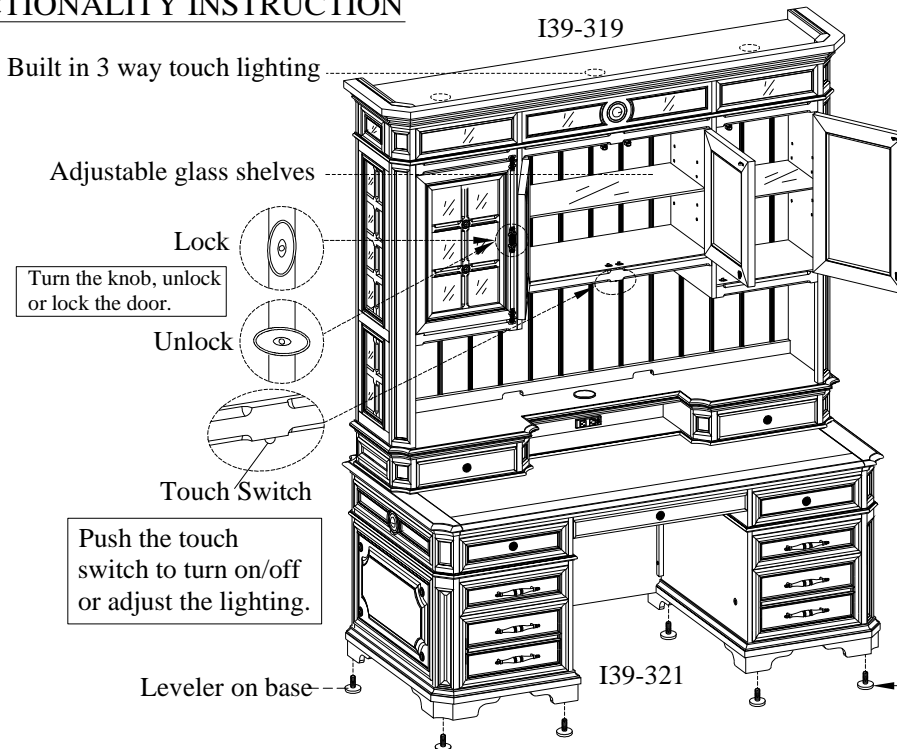
**STEP 1:** Put the hutch on the credenza top. Take off one screw from each metal plate on the back of hutch and swing it in an ideal place. Then re-secure the metal plate with screw to credenza.



**STEP 2:** Insert shelf brackets into holes in the side panels and put glass shelves on.



### FUNCTIONALITY INSTRUCTION

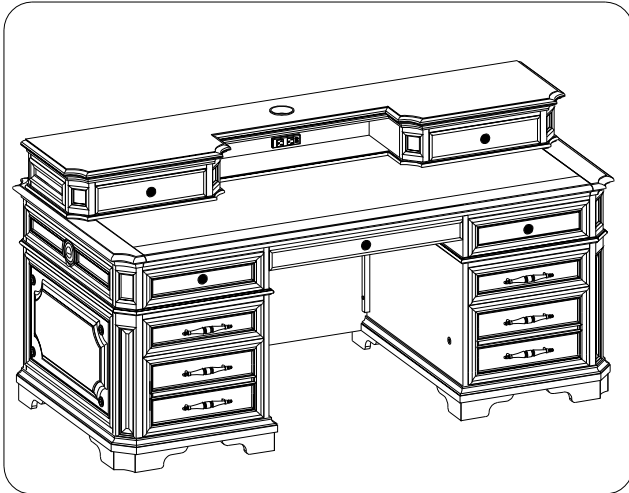


FOR INDOOR USE ONLY



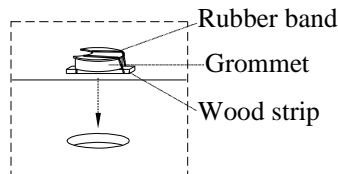
ITEM NO: I39-321 75" Credenza Desk w/sliding top & storage

Thank you for purchasing this quality product. Be sure to check all packing material carefully for small parts that may come loose inside the carton during shipment.



TOOLS REQUIRED (NOT PROVIDED)  
PHILLIPS SCREWDRIVER

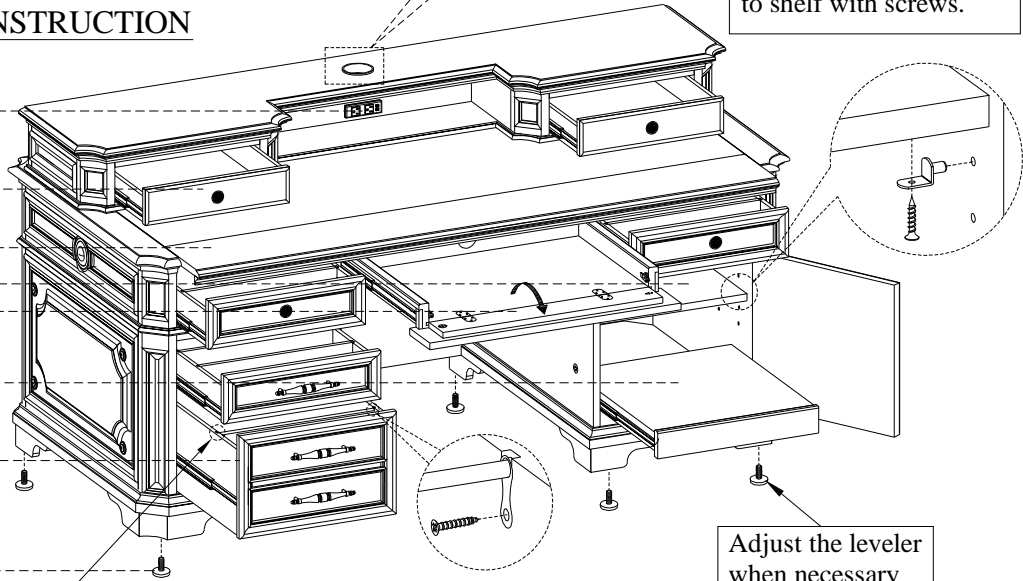
Cut the rubber band and remove the wood strip under the grommet.



If you prefer to adjust the shelf location, remove the screws and move shelf brackets to the desired location. Then secure the brackets to shelf with screws.

### FUNCTIONALITY INSTRUCTION

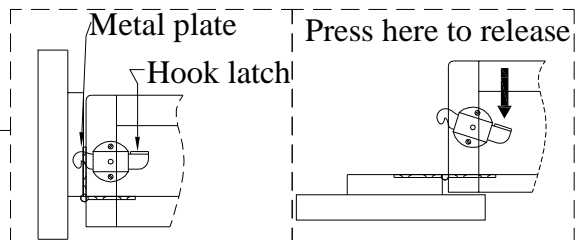
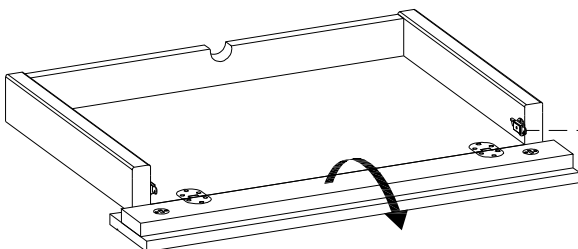
- 2 AC outlet with USB power pack
- Felt-lined top drawer
- Pullout work surface
- Adjustable wood shelf
- Flip down keyboard tray
- Pullout shelf for easy access to CPU, scanner or printer
- Locking file drawers hold letter or legal size files
- Leveler on base



Keys for file lock. Do not trash.

Remove the wood screws on the side of drawer box to remove the rod loops and file rods if necessary.

Adjust the leveler when necessary



BEFORE USING THIS PRODUCT PLEASE READ, UNDERSTAND, AND FOLLOW THESE INSTRUCTIONS. Save these instructions for future reference.

FOR INDOOR USE ONLY