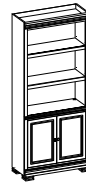


ASSEMBLY INSTRUCTIONS



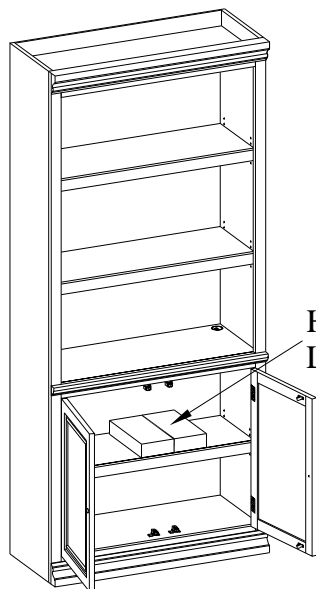
aspenhome®

Distributed by Furniture Values International, LLC

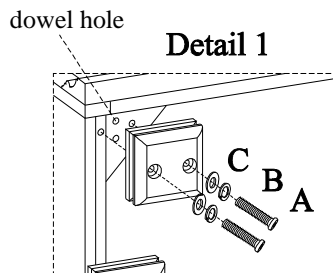


ITEM NO: I35-332 Door Bookcase

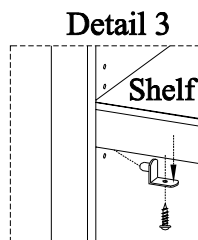
HARDWARE PACK		COMPONENTS LIST	
A	Bolt (Ø1/4"*2-1/2")	8 Pcs	Legs 4 Pcs
B	Lock Washer (Ø1/4")	8 Pcs	
C	Flat Washer (Ø1/4"*3/4")	8 Pcs	
D	Allen Wrench (4mm)	1 Pc	
HARDWARE PACK			
E	Metal Plate	2 Pcs	
F	Wood Screw	4 Pcs	



Hardware pack.
Legs

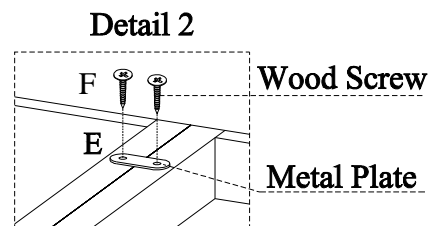


Detail 1



Detail 3

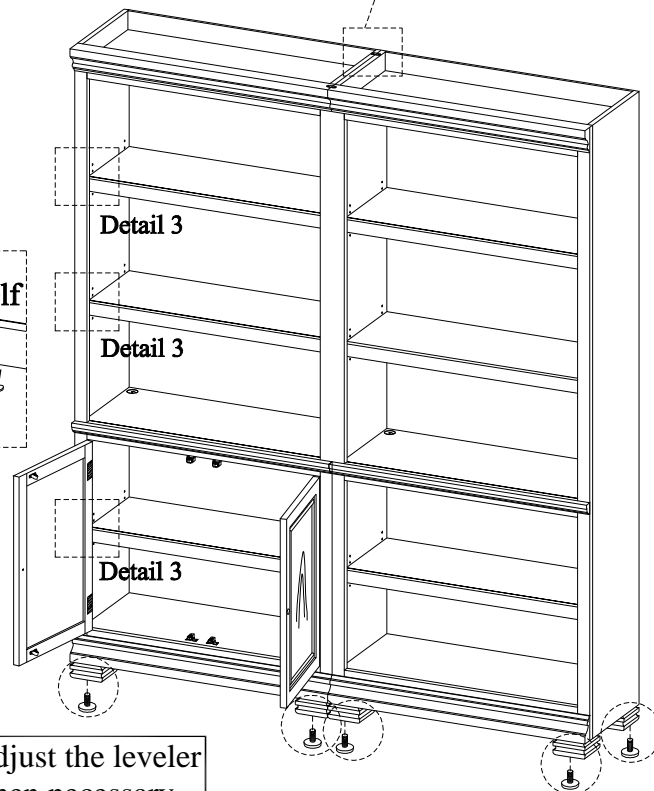
Shelf



Detail 2

Wood Screw

Metal Plate



Adjust the leveler
when necessary

ASSEMBLY STEP:

1. Put the bookcase backside down on a soft, clean surface.
2. Attach legs to the bottom of bookcase using bolts A, lock washer B and flat washer C. See detail 1.
3. Turn the bookcase to the upright position.
4. Line up the front of bookcases then secure the metal plates with screws. See detail 2.
5. When you prefer to adjust the location of shelf, take off screws and reinsert the shelf brackets into the holes. Then place the shelf on and re-securing it. See detail 3.

ASSEMBLY INSTRUCTIONS



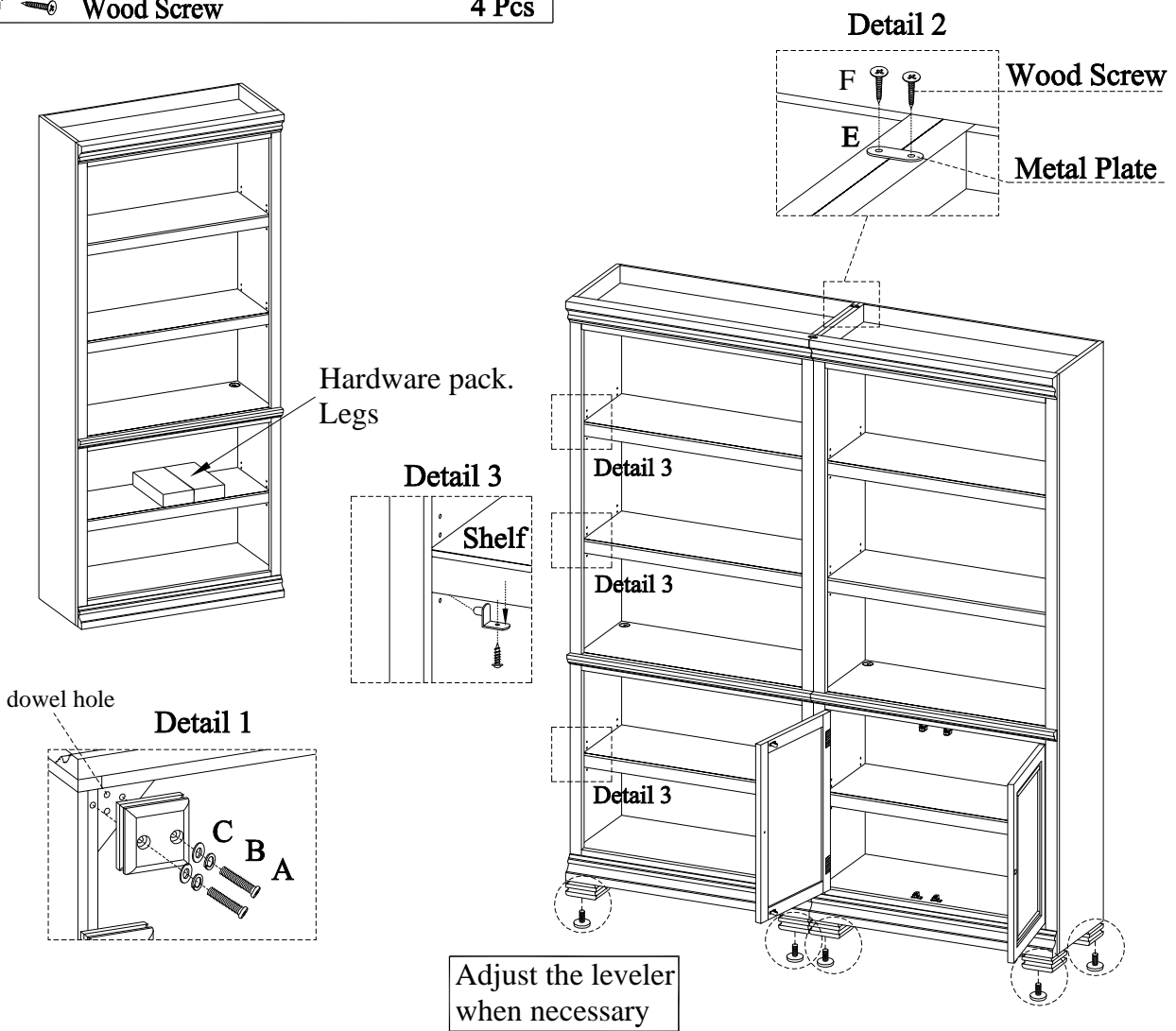
aspenhome®

Distributed by Furniture Values International, LLC



ITEM NO: I35-333 Open Bookcase

HARDWARE PACK		COMPONENTS LIST	
A	Bolt (Ø1/4"*2-1/2")	8 Pcs	Legs 4 Pcs
B	Lock Washer (Ø1/4")	8 Pcs	
C	Flat Washer (Ø1/4"*3/4")	8 Pcs	
D	Allen Wrench (4mm)	1 Pc	
HARDWARE PACK			
E	Metal Plate	2 Pcs	
F	Wood Screw	4 Pcs	



ASSEMBLY STEP:

1. Put the bookcase backside down on a soft, clean surface.
2. Attach legs to the bottom of bookcase using bolts A, lock washer B and flat washer C. See detail 1.
3. Turn the bookcase to the upright position.
4. Line up the front of bookcases then secure the metal plates with screws. See detail 2.
2. When you prefer to adjust the location of shelf, take off screws and reinsert the shelf brackets into the holes. Then place the shelf on and re-securing it. See detail 3.

MADE IN VIETNAM