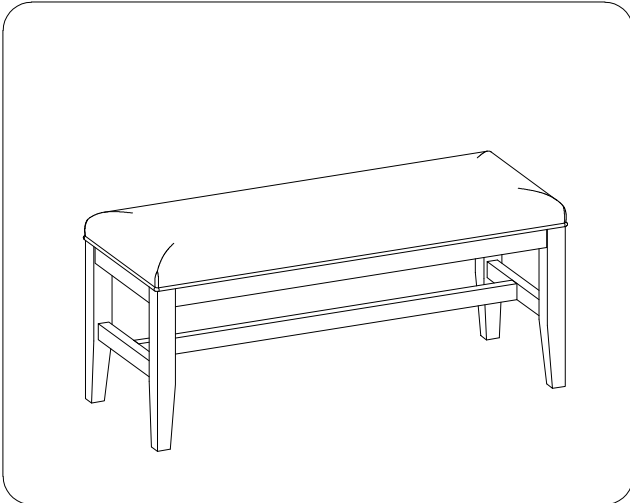













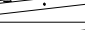

ITEM NO: I218-468-WHT/SHL Bench

Thank you for purchasing this quality product. Be sure to check all packing material carefully for small parts that may come loose inside the carton during shipment.

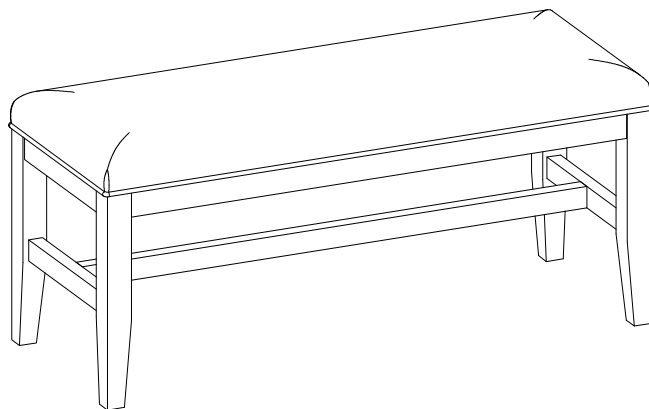


TOOLS REQUIRED (NOT PROVIDED)
PHILLIPS SCREWDRIVER 

HARDWARE LIST:			
No.	Description	Sketch	Quantity
A	Bolt Ø5/16" x 1-3/4"		8 PCS
B	Lock Washer Ø5/16"		8 PCS
C	Flat Washer Ø5/16" x 3/4"		8 PCS
D	Allen Wrench M4		1 PC
E	Wood Screw M4 x 1-1/4"		6 PCS

COMPONENTS LIST:			
No.	Description	Sketch	Quantity
1	Bench Seat		1 PC
2	Leg A		2 PCS
3	Leg B		2 PCS
4	Short Stretcher		2 PCS
5	Long Stretcher		1 PC

### FUNCTIONALITY INSTRUCTION



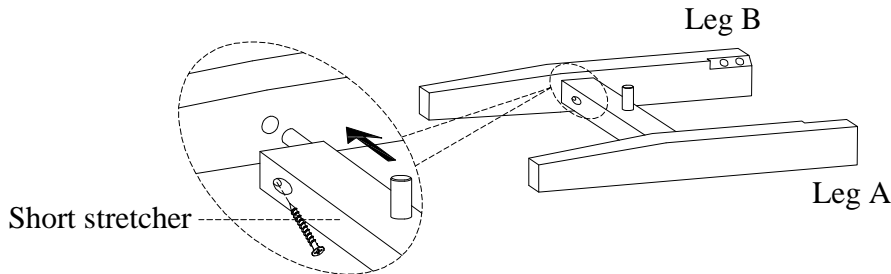
BEFORE USING THIS PRODUCT PLEASE READ, UNDERSTAND, AND FOLLOW THESE INSTRUCTIONS. Save these instructions for future reference.

FOR INDOOR USE ONLY

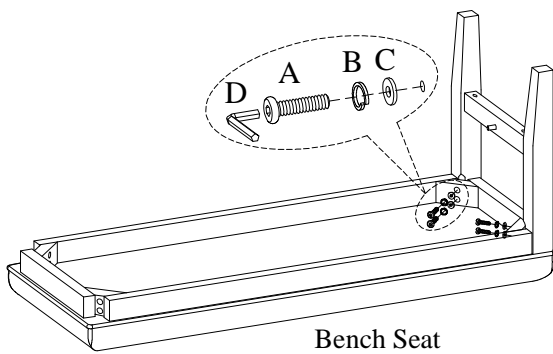


ITEM NO: I218-468-WHT/SHL Bench

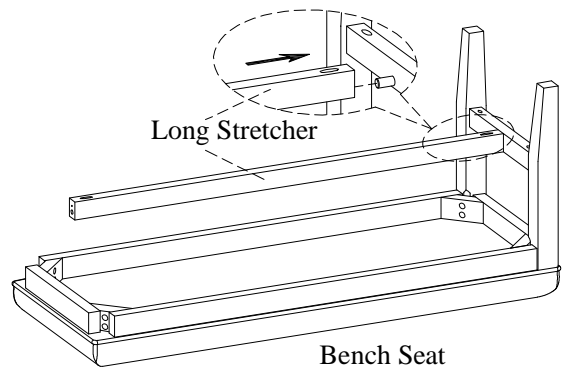
**STEP 1:** Assembly the front and back leg with short stretcher by screws. Making sure wood dowel of stretcher and chamfers on legs are faced as shown.



**STEP 2:** Attach a set of legs to bench seat with bolts. Do not fully tighten the bolts.



**STEP 3:** Attach the long stretcher to one set of leg as shown.



**STEP 4:** Attach another set of leg to long stretcher and bench seat as shown. Fully tighten all bolts and screws. Turn the assembled bench to upright position.

