



ITEM NO: I07-332-PEP/WBR Door Bookcase
I07-333-PEP/WBR Open Bookcase

Thank you for purchasing this quality product. Be sure to check all packing material carefully for small parts that may come loose inside the carton during shipment.



TOOLS REQUIRED (NOT PROVIDED)

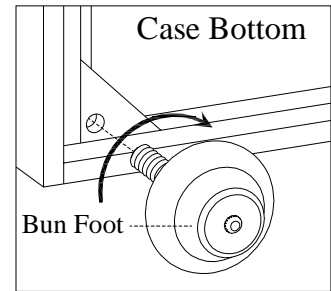
PHILLIPS SCREWDRIVER

COMPONENTS LIST: I07-332

| No. | Description | Sketch | Quantity |
|-----|-------------|--------|----------|
| 1 | Case | | 1 PC |
| 2 | Bun Foot | | 4 PCS |

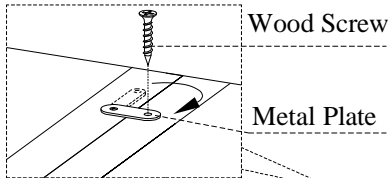
COMPONENTS LIST: I07-333

| No. | Description | Sketch | Quantity |
|-----|-------------|--------|----------|
| 1 | Case | | 1 PC |
| 2 | Bun Foot | | 4 PCS |

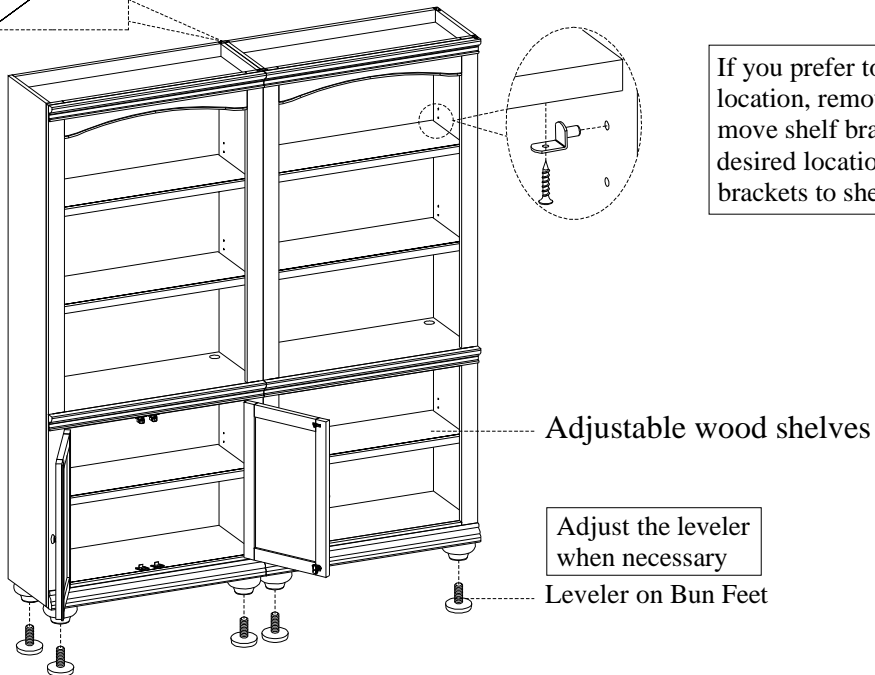


STEP 1: Put the bookcase backside down on a soft surface, Attach the bun feet to the bottom of bookcase. Return the bookcase to the upright position.

FUNCTIONALITY INSTRUCTION



Take off one screw from each metal plate and swing it in an ideal place. Line up the front of bookcases then re-secure the metal plate with screw to adjacent bookcase.



If you prefer to adjust the shelf location, remove the screws and move shelf brackets to the desired location. Then secure the brackets to shelf with screws.

BEFORE USING THIS PRODUCT PLEASE READ, UNDERSTAND, AND FOLLOW THESE INSTRUCTIONS. Save these instructions for future reference.

FOR INDOOR USE ONLY



ITEM NO: I07-339-PEP/WBR Mod Open Base

Thank you for purchasing this quality product. Be sure to check all packing material carefully for small parts that may come loose inside the carton during shipment.



BEFORE USING THIS PRODUCT PLEASE READ, UNDERSTAND, AND FOLLOW THESE INSTRUCTIONS.

Save these instructions for future reference.

TOOLS REQUIRED (NOT PROVIDED)

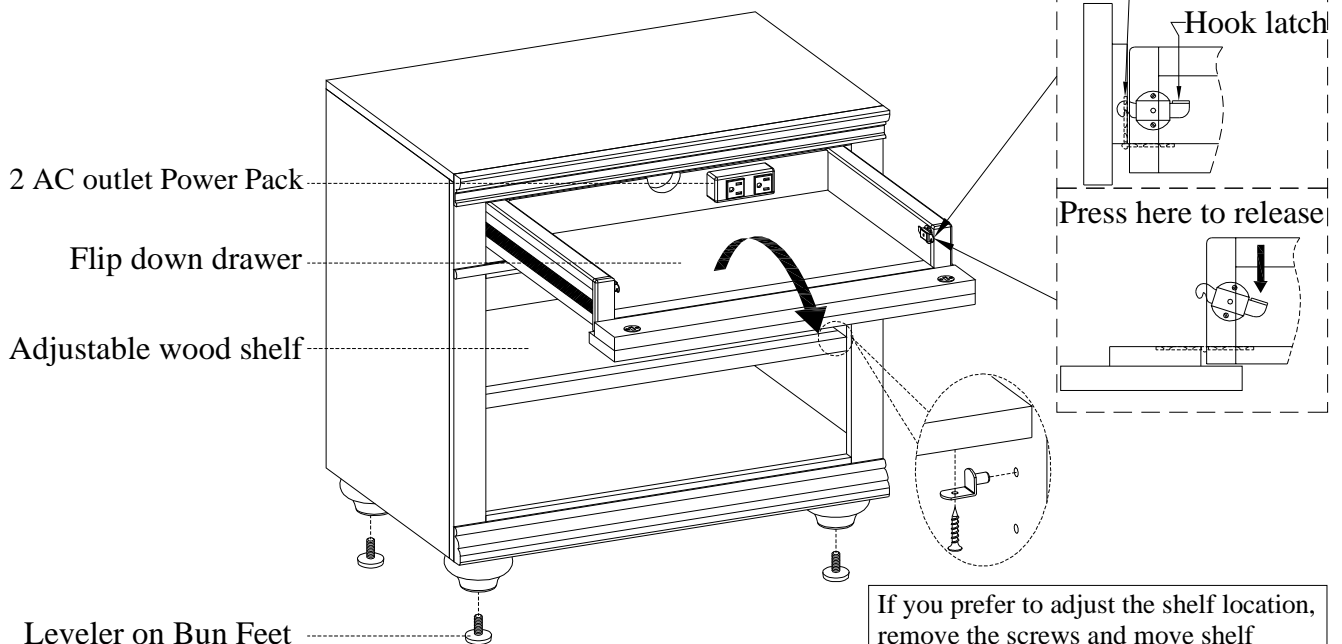
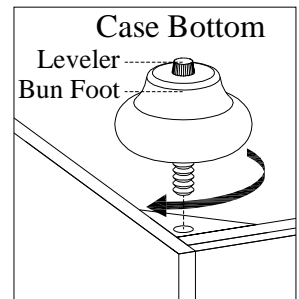
PHILLIPS SCREWDRIVER

COMPONENTS LIST:

| No. | Description | Sketch | Quantity |
|-----|-------------|--------|----------|
| 1 | Case | | 1 PC |
| 2 | Bun Foot | | 4 PCS |

STEP 1: Put the case upside down on a soft surface and attach the bun feet to the bottom. Return the case to the upright position.

FUNCTIONALITY INSTRUCTION



Leveler on Bun Feet
Adjust the leveler when necessary

If you prefer to adjust the shelf location, remove the screws and move shelf brackets to the desired location. Then secure the brackets to shelf with screws.

FOR INDOOR USE ONLY



ITEM NO: I07-341-PEP/WBR Mod File Base

Thank you for purchasing this quality product. Be sure to check all packing material carefully for small parts that may come loose inside the carton during shipment.



BEFORE USING THIS PRODUCT PLEASE READ, UNDERSTAND, AND FOLLOW THESE INSTRUCTIONS.

Save these instructions for future reference.

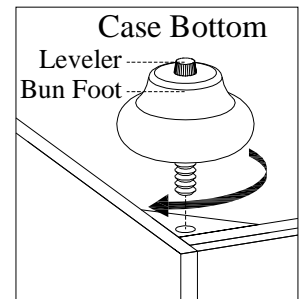
TOOLS REQUIRED (NOT PROVIDED)

PHILLIPS SCREWDRIVER

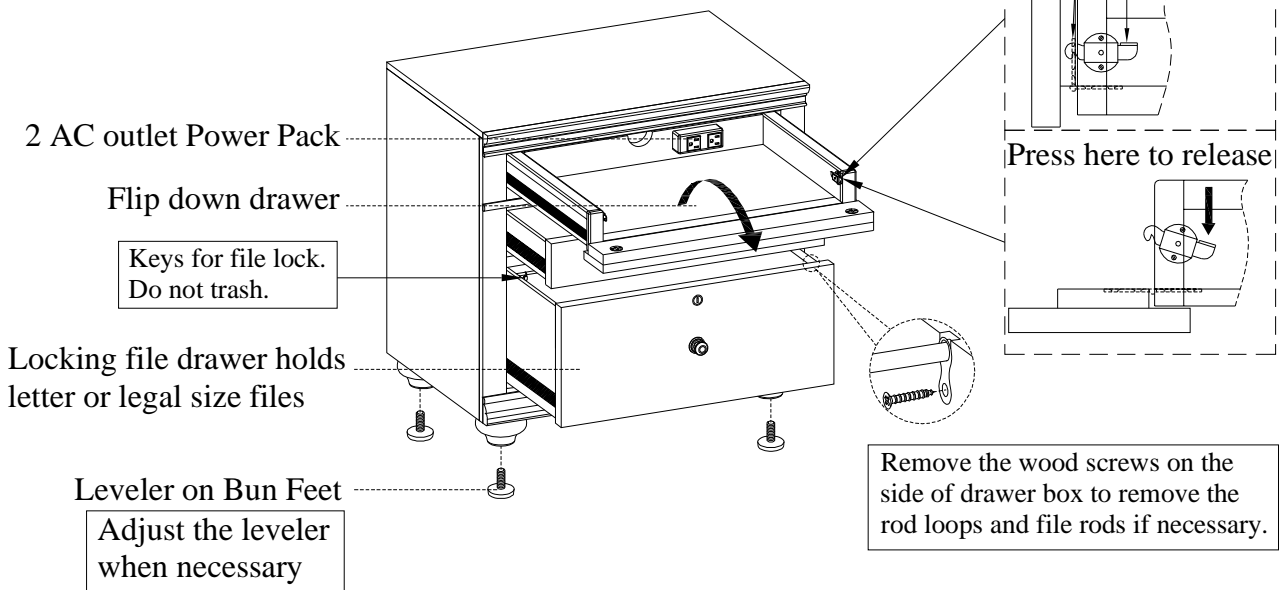
COMPONENTS LIST:

| No. | Description | Sketch | Quantity |
|-----|-------------|--------|----------|
| 1 | Case | | 1 PC |
| 2 | Bun Foot | | 4 PCS |

STEP 1: Put the case upside down on a soft surface and attach the bun feet to the bottom. Return the case to the upright position.



FUNCTIONALITY INSTRUCTION



FOR INDOOR USE ONLY



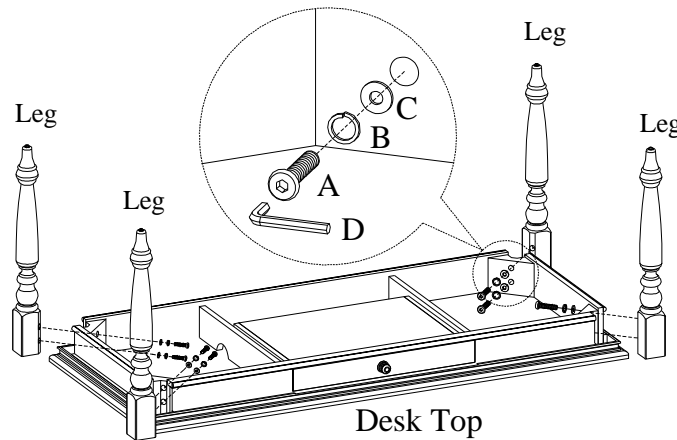
ITEM NO: I07-344-PEP/WBR 72" Writing Desk

Thank you for purchasing this quality product. Be sure to check all packing material carefully for small parts that may come loose inside the carton during shipment.

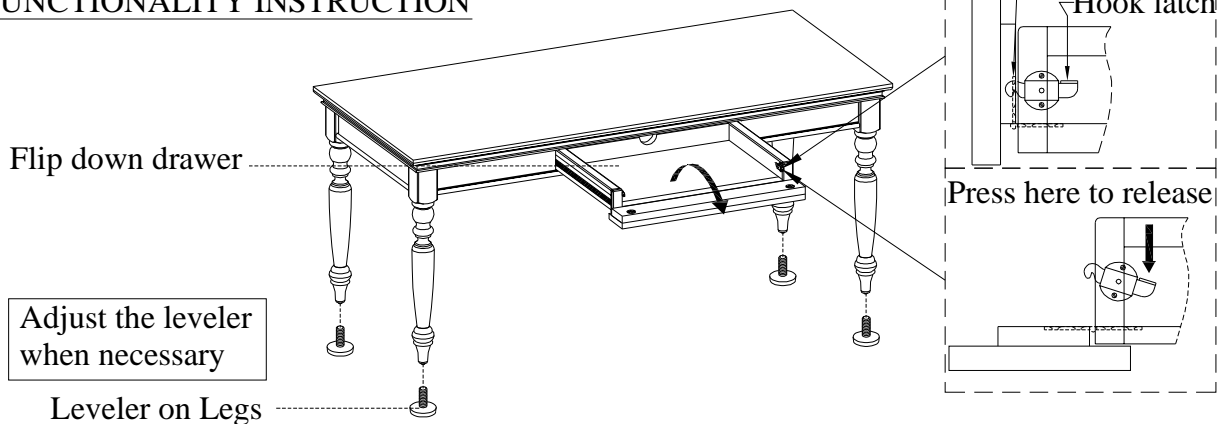


| TOOLS REQUIRED (NOT PROVIDED) | | | |
|-------------------------------|--------------------------|--------|----------|
| PHILLIPS SCREWDRIVER | | | |
| COMPONENTS LIST: | | | |
| No. | Description | Sketch | Quantity |
| 1 | Desk Top | | 1 PC |
| 2 | Leg | | 4 PCS |
| HARDWARE LIST: | | | |
| No. | Description | Sketch | Quantity |
| A | Bolt Ø5/16"*2-1/4" | | 8 PCS |
| B | Lock Washer Ø5/16" | | 8 PCS |
| C | Flat Washer Ø5/16" *3/4" | | 8 PCS |
| D | Allen Wrench 5mm | | 1 PC |

STEP 1: Put the desk upside down on a soft surface and attach the legs to the desk using 8 bolts(A), lock washers(B) and flat washers(C). Return the desk to the upright position.



FUNCTIONALITY INSTRUCTION



BEFORE USING THIS PRODUCT PLEASE READ, UNDERSTAND, AND FOLLOW THESE INSTRUCTIONS. Save these instructions for future reference.

FOR INDOOR USE ONLY



ITEM NO: I07-366-PEP/WBR Office Chair

Thank you for purchasing this quality product. Be sure to check all packing material carefully for small parts that may come loose inside the carton during shipment.



| HARDWARE LIST: | | | |
|----------------|--------------------------|--------|----------|
| No. | Description | Sketch | Quantity |
| A | Bolt 5/16"*4-1/2" | | 4 PCS |
| B | Bolt 5/16"*1-3/4" | | 2 PCS |
| C | Spring Washer 5/16" | | 6 PCS |
| D | Flat Washer 5/16"*3/4" | | 6 PCS |
| E | Allen Key 4mm | | 1 PC |
| F | Hex Nut 5/16" | | 4 PCS |
| G | Hex Wrench | | 1 PC |
| H | Bolt 3/8"*1-1/2" | | 4 PCS |
| I | Spring Washer 3/8"*9/16" | | 4 PCS |
| J | Flat Washer 3/8"*7/8" | | 4 PCS |
| K | Allen Key 5mm | | 1 PC |

| COMPONENTS LIST: | | | |
|------------------|--------------------------|--------|----------|
| No. | Description | Sketch | Quantity |
| 1 | Pneumatic cylinder | | 1 PC |
| 2 | Seat Plate | | 1 PC |
| 3 | Wooden base with Casters | | 1 PC |
| 4 | Seating | | 1 PC |
| 5 | Chair Back | | 1 PC |

IMPORTANT SAFEGUARDS

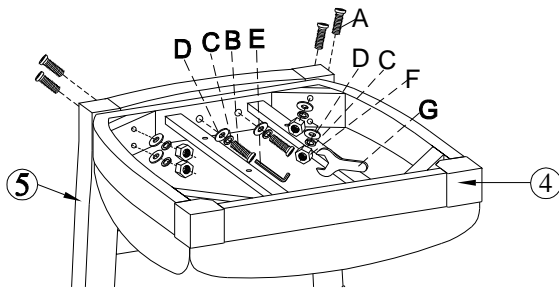
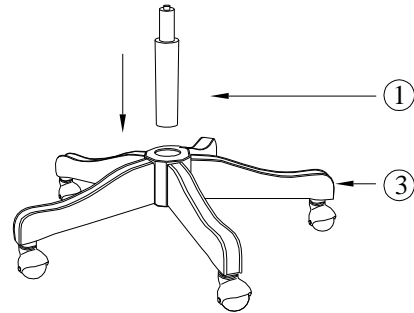
- Read all instructions before use.
- This product is intended for use as a seat for adults. Do not use the product for any other purpose.
- This product is not a toy. Keep the product away from children and pets.
- Always place the product on a flat, stable surface.
- Do not place the product near heat or open flames.
- Do not set heavy objects on the product.
- Never stand on the product or use it as a STEP ladder.
- To avoid a possible pinch hazard, never insert fingers, hands, or other body parts in between the product hinges and joints, especially when assembling or disassembling the product.
- Ensure all parts are securely attached before use. Periodically check the parts to ensure they are securely in place.
- We will not be responsible for any injury or death resulting from the improper use or care of this chair.

BEFORE USING THIS PRODUCT PLEASE READ, UNDERSTAND, AND FOLLOW THESE INSTRUCTIONS. Save these instructions for future reference.

FOR INDOOR USE ONLY

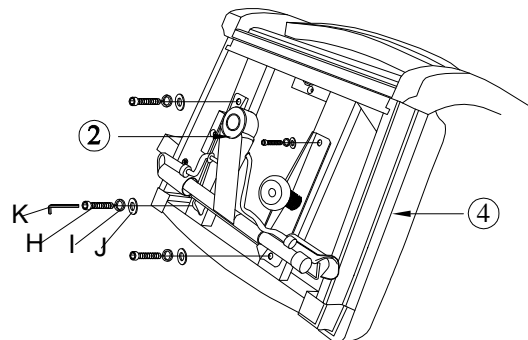
ITEM NO: I07-366-PEP/WBR Office Chair

STEP 1: Insert the Pneumatic Cylinder (1) through the center hole on top of the Wooden base with Casters (3).

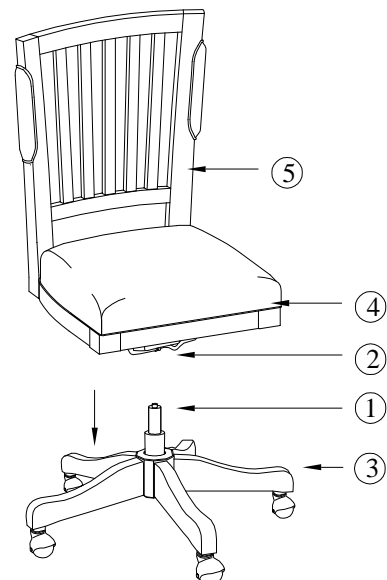


STEP 2: Attach Seating (4) to Chair back (5) by using bolts (A), bolts (B), lock washer (C), and flat washer (D), use Allen key (E) and hex wrench (G) tighten all bolts.

STEP 3: Attach the Seat Plate(2) to the Seating (4) using Bolts(H), Lock Washer (I) and Flat Washer (J).



STEP 4: Place the Seating Unit(4) onto the Pneumatic Cylinder(1), aligning the top of the Pneumatic Cylinder(1) to the hole in the Seating Plate(2).





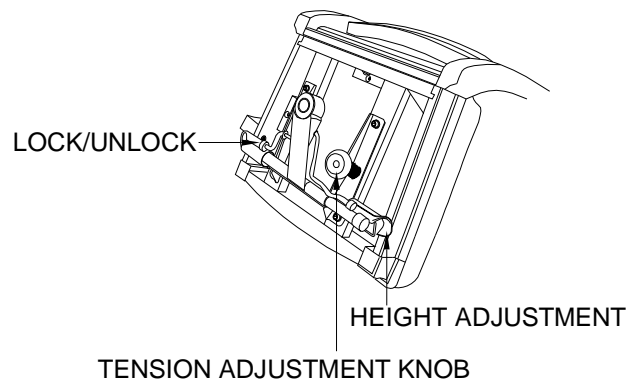
ITEM NO: I07-366-PEP/WBR Office Chair

To Adjust

Height Adjustment:

To raise the seat height, remove weight from the seat and pull up on the Height Adjustment Leveler.

To lower the seat height, while seated pull up slowly on the Height Adjustment Leveler until the seat is at the desired height.



Seat Tilt Tension Adjustment:

To adjust the seat tilt tension, turn the Tension Adjustment Knob on the underside of the seat to the desired tension.

To lock tilt function, slide the Lock/Unlock Leveler in toward center of chair.

To unlock tilt function, pull Lock/Unlock Leveler outward.

WARNING: To avoid possible personal injury, ensure all screws are fully tightened before using the chair. Periodically check the screws and ensure that they remain fully tightened.

Care and Maintenance

- Check and securely tighten all product parts (hinges, bolts, screws, etc.) before each use.
- Inspect the product for wear and tear, rust, or cracked, broken, unstable parts before each use. Do not use the product if it is damaged or if the parts show any signs of instability or abnormal wear.
- Inspect the seat and seat back. If they are not intact or are damaged, discontinue use of this product.
- Dust the upholstered part of the chair with a soft cloth. If the upholstery becomes soiled, use a leather cleaner (follow the instructions provided for the cleaner).
- Clean all non-upholstered parts of the chair with a soft cloth.

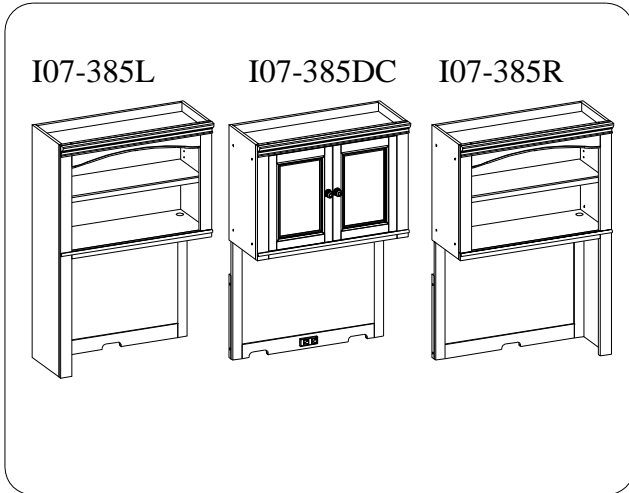


ITEM NO: I07-385DC-PEP/WBR Mod Center Hutch w/ Door
 I07-385L-PEP/WBR Mod LF Open Hutch
 I07-385R-PEP/WBR Mod RF Open Hutch

Thank you for purchasing this quality product. Be sure to check all packing material carefully for small parts that may come loose inside the carton during shipment.



UNIT SHOULD BE INSTALLED BY 2 OR MORE PERSONS.



| HARDWARE LIST: I07-385DC | | | |
|--------------------------|-------------------------|--------|----------|
| No. | Description | Sketch | Quantity |
| A | Bolt Ø1/4"*1-9/16" | | 8 PCS |
| B | Lock Washer Ø1/4" | | 8 PCS |
| C | Flat Washer Ø1/4" *3/4" | | 8 PCS |
| D | Allen Wrench 4mm | | 1 PC |

| TOOLS REQUIRED (NOT PROVIDED) | |
|-------------------------------|--|
| PHILLIPS SCREWDRIVER | |

| COMPONENTS LIST: I07-385DC | | | |
|----------------------------|-------------|--------|----------|
| No. | Description | Sketch | Quantity |
| 1 | Case | | 1 PC |
| 2 | Back Panel | | 1 PC |

| HARDWARE LIST: I07-385L/385R | | | |
|------------------------------|--------------------|--------|----------|
| No. | Description | Sketch | Quantity |
| E | Bolt Ø1/4"*1-1/4" | | 4 PCS |
| F | Hex Nut Ø1/4"*1/2" | | 4 PCS |
| G | Allen Wrench 4mm | | 1 PC |
| H | Wood Screw M4*1" | | 2 PCS |

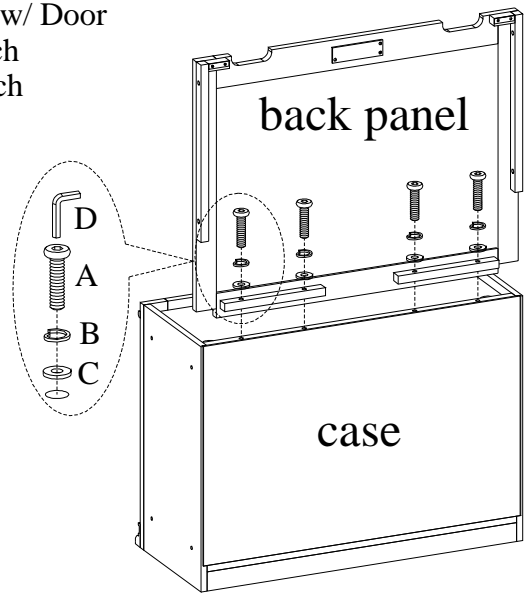
BEFORE USING THIS PRODUCT PLEASE READ, UNDERSTAND, AND FOLLOW THESE INSTRUCTIONS.
 Save these instructions for future reference.

FOR INDOOR USE ONLY

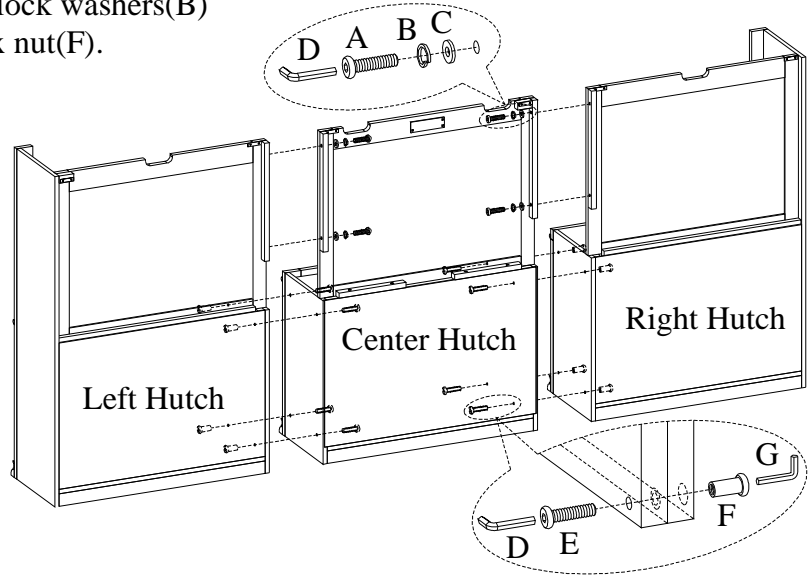


ITEM NO: I07-385DC-PEP/WBR Mod Center Hutch w/ Door
 I07-385L-PEP/WBR Mod LF Open Hutch
 I07-385R-PEP/WBR Mod RF Open Hutch

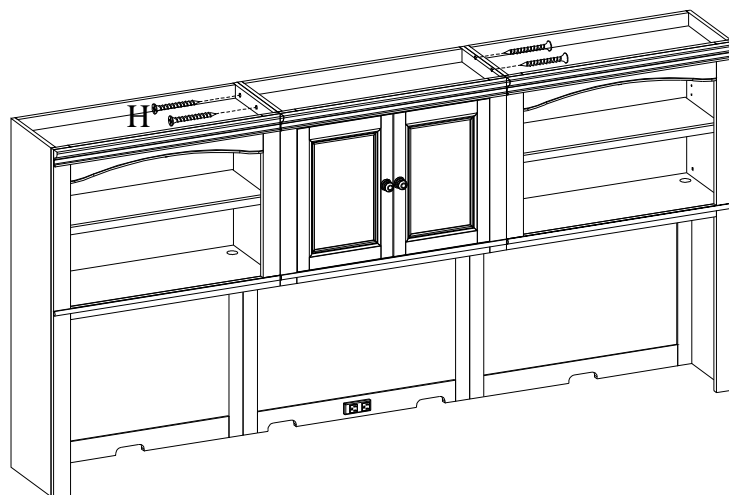
STEP 1: Put the case of center hutch upside down on a soft surface, Attach the back panel to the case by using 4 bolts(A), lock washers(B) and flat washers(C).



STEP 2: Attach the left hutch and right hutch to the center hutch by using 4 bolts(A), lock washers(B) flat washers(C) 8 bolts(E) and hex nut(F).



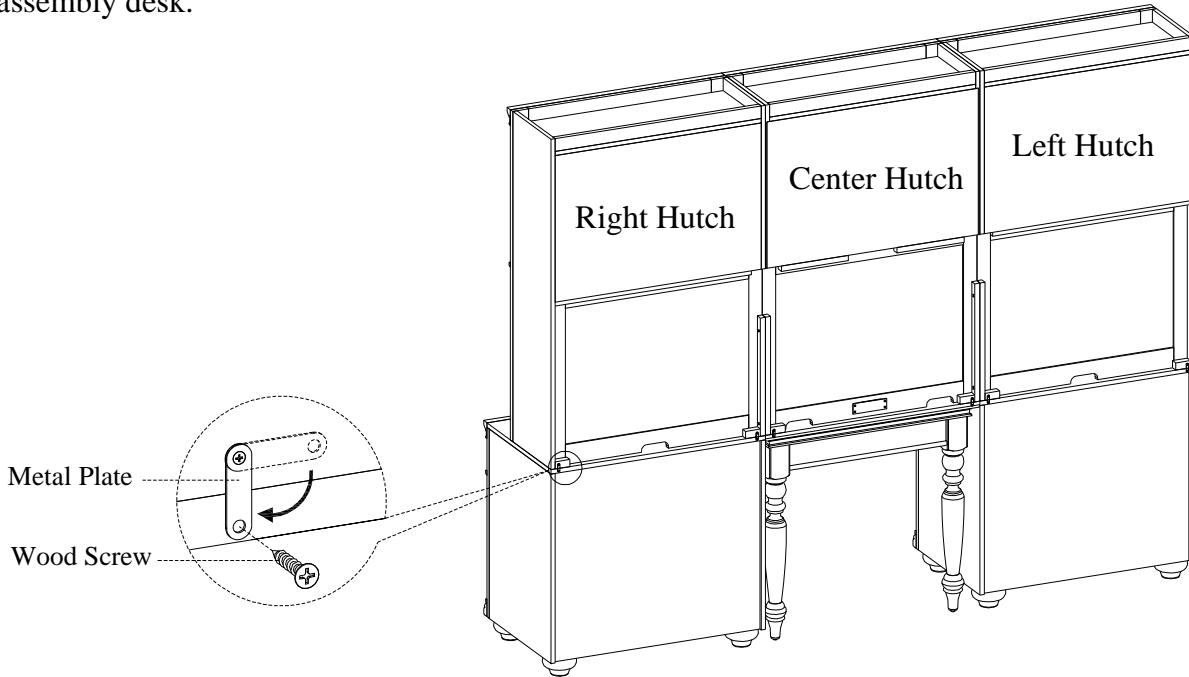
STEP 1: Return the assembled hutch to the right side up position with screw(H).





ITEM NO: I07-385DC-PEP/WBR Mod Center Hutch w/ Door
 I07-385L-PEP/WBR Mod LF Open Hutch
 I07-385R-PEP/WBR Mod RF Open Hutch

STEP 3: Put the assembled hutch on the assembly desk. Take off one screw from each metal plate on the back of hutch and swing it in an ideal place. Then re-secure the metal plate with screw to assembly desk.



FUNCTIONALITY INSTRUCTION

