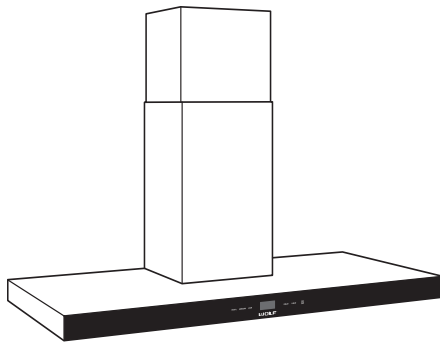


FEATURES

- Heavy-duty, stainless steel seamless construction with black glass front.
- Internal, in-line or remote blower required (sold separately).
- Telescopic chimney.
- Black glass touch control panel with display.
- Three-speed blower with boost to temporarily increase airflow.
- LED lighting with high and low settings.
- Delay-off feature to automatically turn unit off.
- Filter clean indicator.
- Dishwasher-safe filters.
- Transition with backdraft damper.



Model VW45B

BLOWER OPTIONS

MODEL VW45B	CFM
Internal	300*, 600
In-line	600
Remote	600

**For make-up air restricted applications.*

Cooktop hoods are recommended for use with Wolf induction, electric and gas cooktops and integrated modules. For Wolf ranges and rangetops, a pro ventilation hood is recommended.

ACCESSORIES

- Internal, in-line and remote blowers (refer to chart).
- Remote control.
- Chimney extension.
- Recirculating kit and filter for non-ducted applications.
- Make-up air damper.

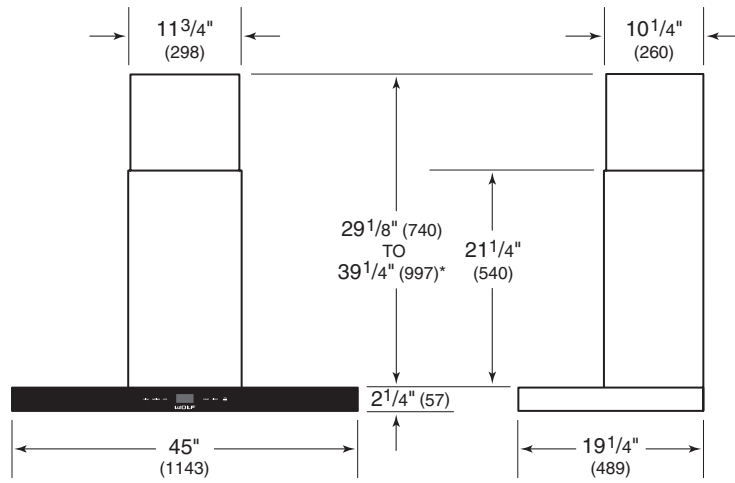
Accessories available through an authorized Wolf dealer. For local dealer information, visit the find a showroom section of our website, wolfappliance.com.

SPECIFICATIONS	
PRODUCT	
Dimensions	45"W x 21/4"H x 19 1/4"D
Overall Height	31 3/8" – 41 1/2"
Weight	62 lb
DISCHARGE	
Vertical	6" Round
ELECTRICAL	
Supply	110/120 VAC, 60 Hz
Service	15 amp circuit
INSTALLATION	
Bottom of Hood to Countertop	24" – 36"

Specifications are subject to change without notice. Visit wolfappliance.com/specs for the most up-to-date information.

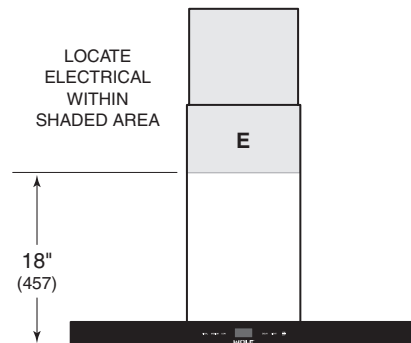
Dimensions may vary $\pm 1/8"$ (3). Dimensions in parentheses are millimeters unless otherwise specified.

DIMENSIONS



*49 1/8" (1248) to 59 1/4" (1505) with accessory flue extension.

ELECTRICAL LOCATION



24" (610) TO 36" (914) BOTTOM EDGE TO COUNTERTOP