

IR365TE/S/TH



FEATURES

- _____ Magnetic induction technology provides fast and perfectly distributed heat
- _____ Incredible cooking control, with lightning fast high heat and very low lows
- _____ Five induction zones and multiple bridging options to accommodate different pan sizes
- _____ Cookware sensing guards against hot burners being left on
- _____ Dual convection oven for faster, more consistent cooking
- _____ Temperature probe lets you know when it's done
- _____ Cobalt blue porcelain interior
- _____ Red, black or brushed stainless control knobs
- _____ Self clean, delayed start, timed cook, Sabbath mode and more
- _____ 10 cooking modes make meals easy
- _____ Rigorously tested in our U.S. manufacturing facilities for decades of use
- _____ Exceptional 24/7 support from our Customer Care team in Madison

ACCESSORIES

- _____ 36" Bake Stone Kit
- _____ 36" Full-extension ball-bearing oven rack
- _____ Broiler Pan
- _____ Dehydration Kit
- _____ Oven Rack Set (3)
- _____ Stainless Steel Kickplate
- _____ Temperature Probe
- _____ Front Leg Extension Covers
- _____ Induction Range Knobs

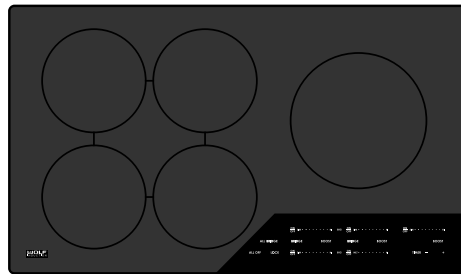
Accessories available through an authorized Sub-Zero dealer.
For local dealer information, visit subzero-wolf.com/locator.



KNOB OPTIONS



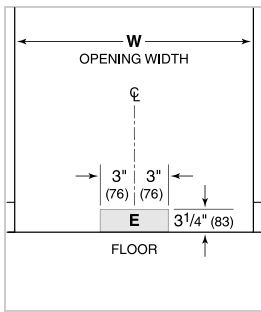
TOP CONFIGURATION



PRODUCT SPECIFICATIONS

Model	IR365TE/S/TH
Dimensions	35 7/8"W x 35 7/8"H x 29 1/2"D
Oven 1 Interior Dimensions	30"W x 16 1/2"H x 19"D
Oven 1 Usable Capacity	3.5 cu. ft.
Oven 1 Overall Capacity	5.4 cu. ft.
Door Clearance	19 1/2"
Weight	470 lbs
Electrical Supply	240/208 VAC, 60 Hz
Electrical Service	50 amp dedicated service

ELECTRICAL



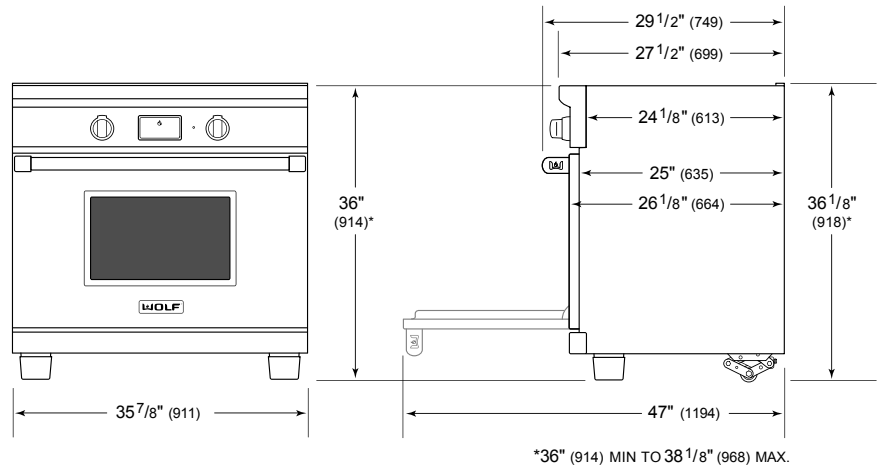
IMPORTANT NOTE:

Adjacent countertops must be at least 35 7/8" for flush installation to top of unit.

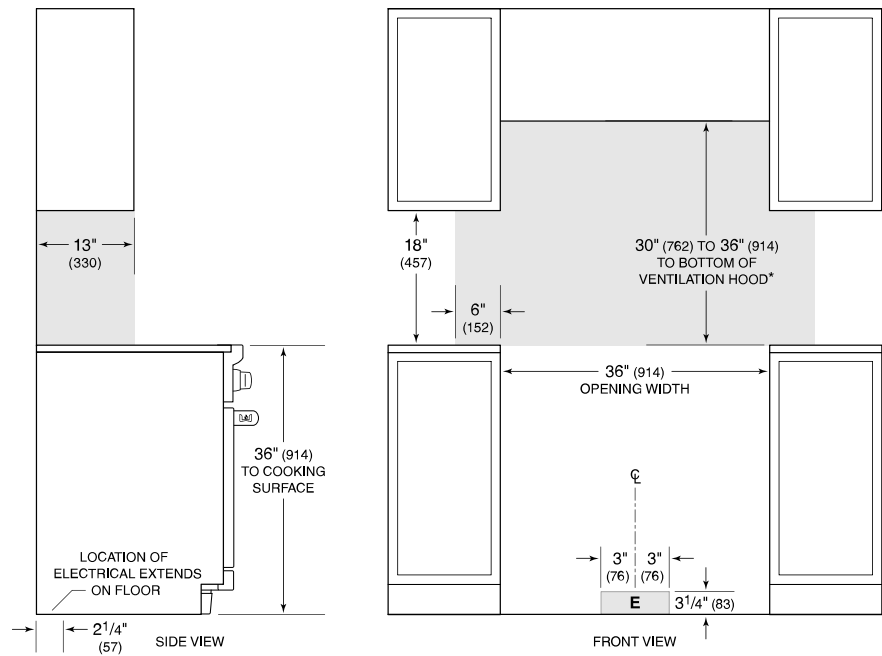
NOTE:

Dimensions in parenthesis are in millimeters unless otherwise specified

DIMENSIONS



STANDARD INSTALLATION



*Without ventilation hood, 36" (914) minimum clearance countertop to combustible materials.
 NOTE: Shaded area above countertop indicates minimum clearance to combustible surfaces, combustible materials cannot be located within this area.
 For island installation, 12" (305) minimum clearance back of range to combustible rear wall above countertop.