

C1365TF/S

FEATURES

Incredible cooking control, with lightning fast high heat and very low lows

Pair with module cooktops for a custom cooking array

Five elements and five bridging options accommodate widest possible variety of pan sizes

Efficiently transfers heat, because energy is supplied directly to the cookware

Cookware sensing guards against hot burners being left on

Cooktop stays relatively cool for added safety and easy cleanup

Rigorously tested in our U.S. manufacturing facilities for decades of use

Exceptional 24/7 support from our Customer Care team in Madison

ACCESSORIES

Filler Strip

Filler Strip for Downdraft

Accessories available through an authorized dealer.

For local dealer information, visit subzero-wolf.com/locator.



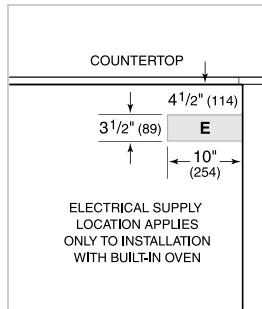
COOKTOP SPECIFICATIONS

- 2 - 2100 W Element
- 2 - 2100 W Element with 3000 W Boost
- 1 - 2600 W Element with 3700 W Boost

PRODUCT SPECIFICATIONS

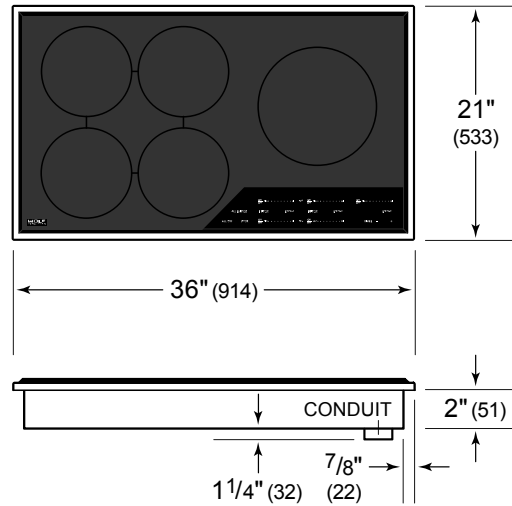
Model	CI365TF/S
Dimensions	36"W x 2"H x 21"D
Weight	61 lbs
Electrical Supply	3-wire, 240/208 VAC, 60 Hz
Electrical Service	50 amp dedicated circuit
Conduit Length	4 Feet

ELECTRICAL

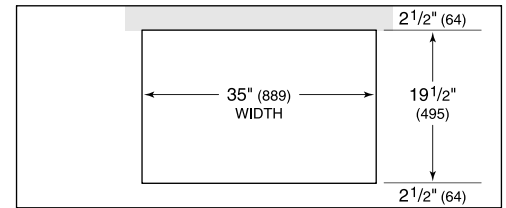


NOTE: Dimensions in parenthesis are in millimeters unless otherwise specified

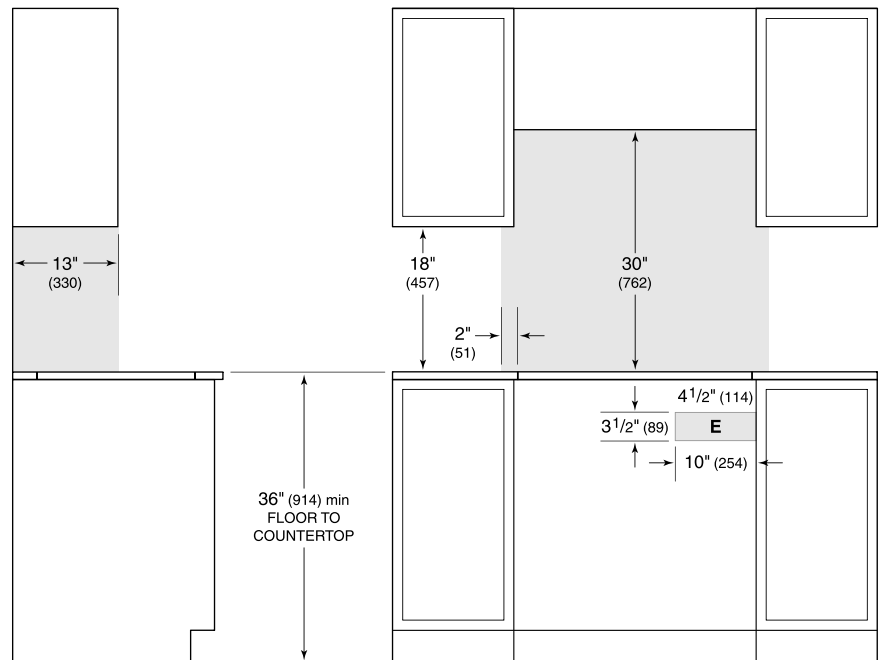
DIMENSIONS



STANDARD INSTALLATION



COUNTERTOP CUT-OUT



SIDE VIEW

FRONT VIEW

NOTE: Shaded area above countertop indicates minimum clearance to combustible surfaces, combustible materials cannot be located within this area. Electrical supply location only applies to installations with built-in oven.