

CG365C/S



## FEATURES

- 20,000 Btu burner for faster boils

---

- Lower tier of dual-stacked burner lets you simmer and melt

---

- Continuous cast-iron grates for easy movement of pots and pans

---

- Spark ignition system re-ignites if flame goes out

---

- Dual-stacked, sealed burners for higher highs, lower lows

---

- Easy-clean seamless burner pan

---

- Illuminated control knobs

---

- Stunning minimalist design sits virtually flush to countertop

---

- Rigorously tested in our U.S. manufacturing facilities for decades of use

---

- Exceptional 24/7 support from our Customer Care team in Madison

## ACCESSORIES

- Center burner wok grate

---

- High altitude conversion kit

---

- Signature red, black or brushed stainless control knobs

Accessories available through an authorized Sub-Zero dealer.  
For local dealer information, visit [subzero-wolf.com/locator](http://subzero-wolf.com/locator).



## KNOB OPTIONS



## COOKTOP SPECIFICATIONS

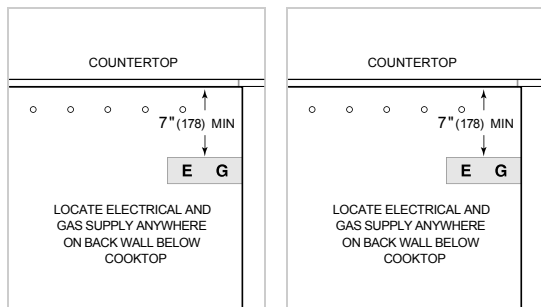
- 2 - 9,200 Btu Burner
- 2 - 12,000 Btu Burner
- 1 - 20,000 Btu Burner

**PRODUCT SPECIFICATIONS**

Model	CG365C/S
Dimensions	36"W x 6 3/4"H x 21"D
Weight	100 lbs
Electrical Supply	120 VAC, 60 Hz
Electrical Service	15 amp dedicated circuit
Gas Supply	3/4" ID line
Gas Inlet	1/2" NPT female

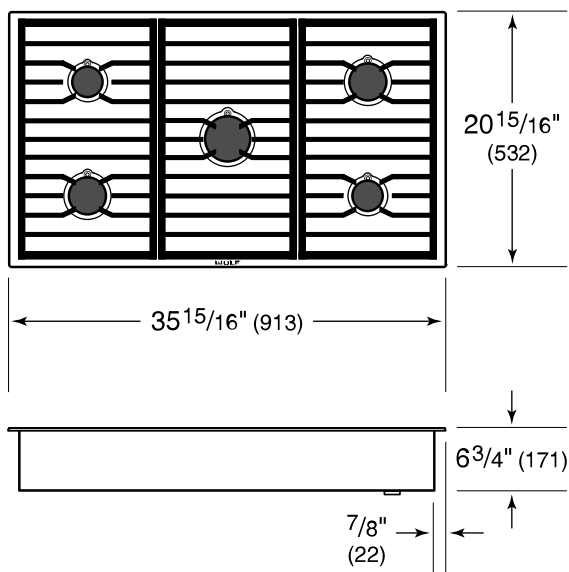
**ELECTRICAL**

**GAS**

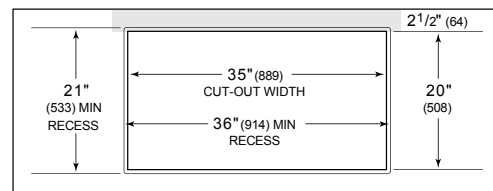
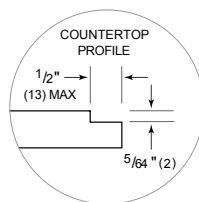


**NOTE:** Dimensions in parenthesis are in millimeters unless otherwise specified

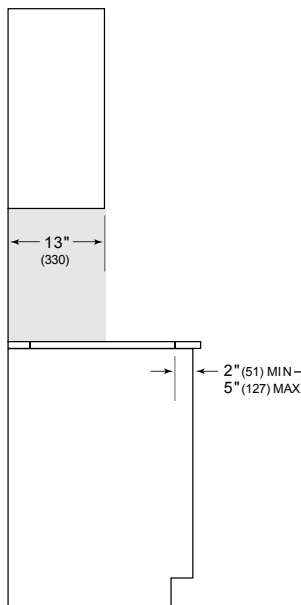
**DIMENSIONS**



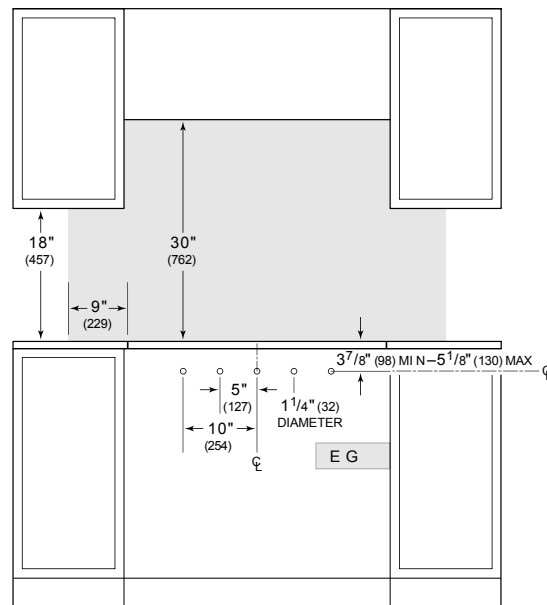
**FLUSH INSTALLATION**



COUNTERTOP CUT-OUT



SIDE VIEW



FRONT VIEW

**NOTE:** Shaded area above countertop indicates minimum clearance to combustible surfaces, combustible materials cannot be located within this area.  
 Maximum facade thickness (25). 1" (25) thickness extends 1 7/8" (45) left and right and 2 1/2" (64) above and below centerlines.  
 Outside corner radius 3/8" (10).