



Ceiling Mounted Hoods and Under Cabinet Hood Inserts Recirculating Filters Installation

wolfappliance.com 800.222.7820

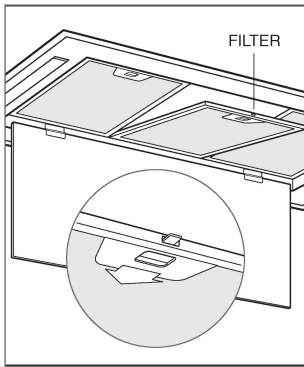
CONTENTS

- 2 Filter, charcoal

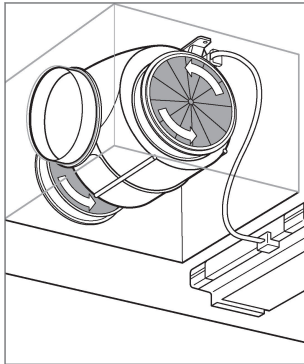
Note: The charcoal filters should be replaced after 200 hours of use.

CEILING MOUNTED HOODS AND UNDER CABINET HOOD INSERTS RECIRCULATING FILTERS INSTALLATION

- 1 Pull down the front edge of the bottom panel of the hood and allow it to rotate downward.
- 2 Remove the filters.



- 3 Place the charcoal filters on both sides of the blower and rotate the filters counter-clockwise to secure.



- 4 Install the grease filters and rotate the bottom cover upward and into position.

