

## Contents

GAS RANGE KICKPLATE	
1	Kickplate
4	Screw, #8 x 3/8"
6	Screw, #10 x 1/2"
1	Instructions

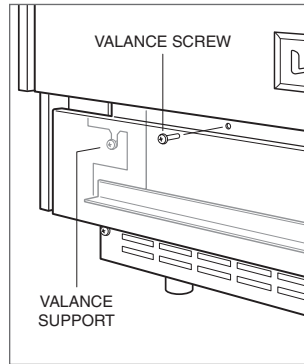
## Kickplate Installation

Remove the door valance by extracting the side panel screws and valance screws, then set valance aside. Refer to the illustration below.

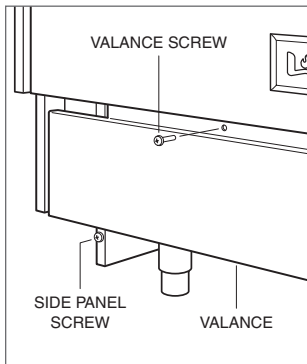
Position the top of the kickplate behind the lower front support, then rotate into position.

Insert two #10 x 1/2" screws (four for 48" and 60" models) into the top of the kickplate, then reinstall the two #8 x 3/8" side panel screws. Refer to the illustration below.

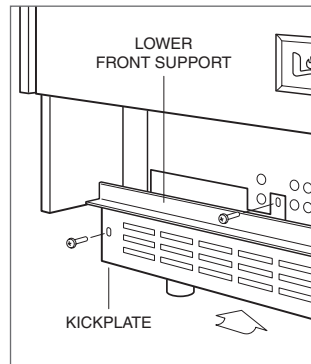
To reinstall the valance, place the valance supports behind the shoulder screws, then reinstall the valance screws. Refer to the illustration below.



Valance installation.



Valance removal.



Kickplate installation.

