

# WINNERS ONLY® Assembly Instructions

## DC355G, DC355R

### BENCH

Thank you for purchasing this quality product. Be sure to check all packaging material carefully for small parts that may have come loose inside the carton during shipment.

#### COMPONENT LIST:

PART NO	FIGURE	DESCRIPTION	QTY
DC355G-01 DC355R-01		Hardware Bag	1 pce
DC355G-13 DC355R-13		Bench Seat	1 pce
DC355G-06 DC355R-06		Bench Left Leg	2 pcs
DC355G-05 DC355R-05		Bench Right Leg	2 pcs
DC355G-08 DC355R-08		Bench center Leg	2 pcs

#### HARDWARE LIST:

PART NO	FIGURE	DESCRIPTION	QTY
1		JCBC Bolt (Short)	4pcs
2		JCBC Bolt (Long)	8pcs
3		Lock Washer	12pcs
4		Flat Washer	12pcs
5		Allen Key	1 pce

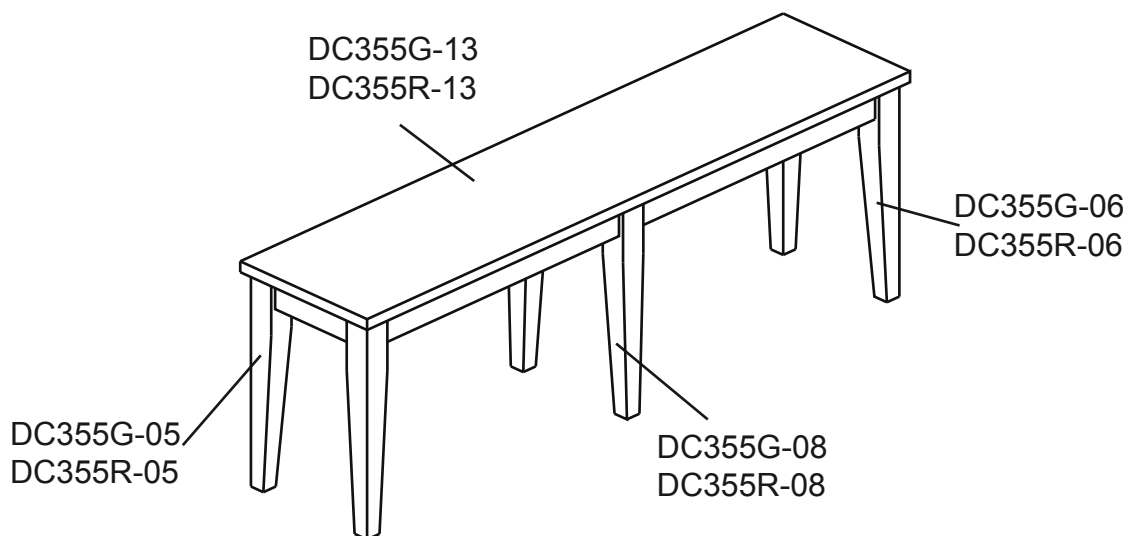
This product will take 15-20 minutes to assemble.

#### Reminders

1. Use only the hardware supplied.
2. Once the product is assembled, level and tighten all the bolts.
3. Do not over-tighten bolts.
4. This item may require periodic tightening

#### NOTE:

1. Two or two people are needed for assembly
2. please keep all hardware parts out of the reach of children.



# WINNERS ONLY® Assembly Instructions

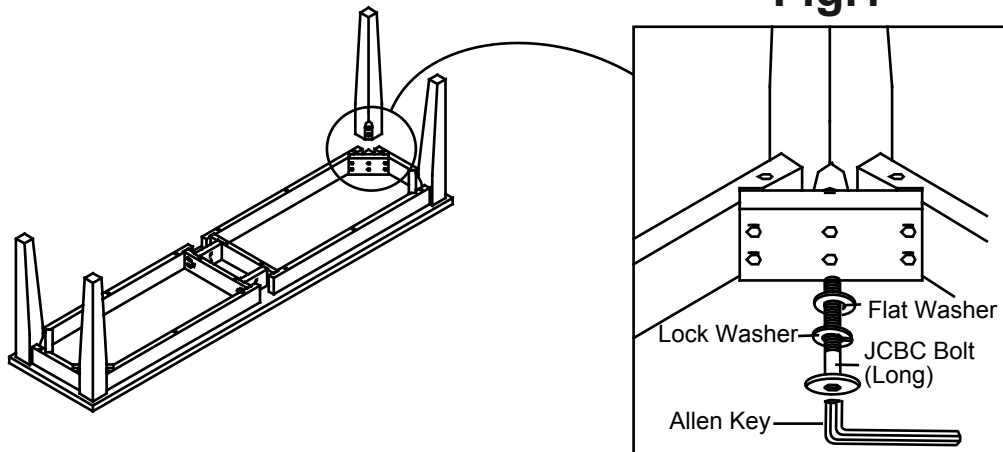
DC355G, DC355R  
BENCH

## ASSEMBLY :

### STEP 1

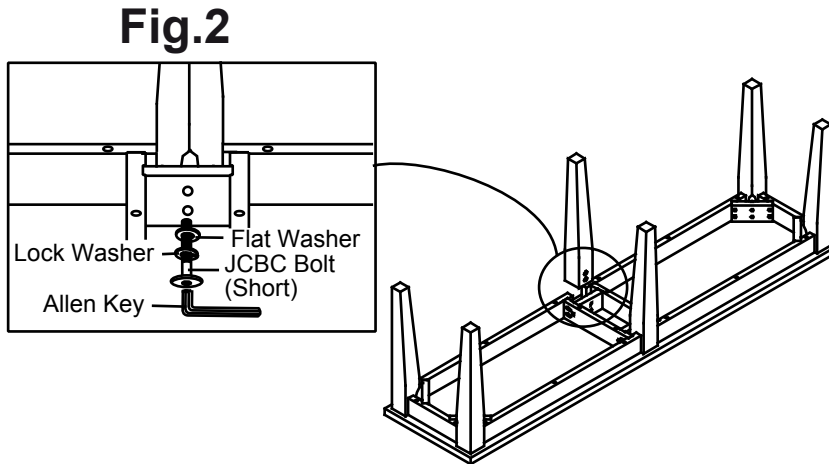
1.1- Turn the Bench Seat upside down on a soft protective surface such as carpet.

1.2- Attach 4 Bench legs to the Bench seat using the provided hardware as shown in Fig.1.



### STEP 2

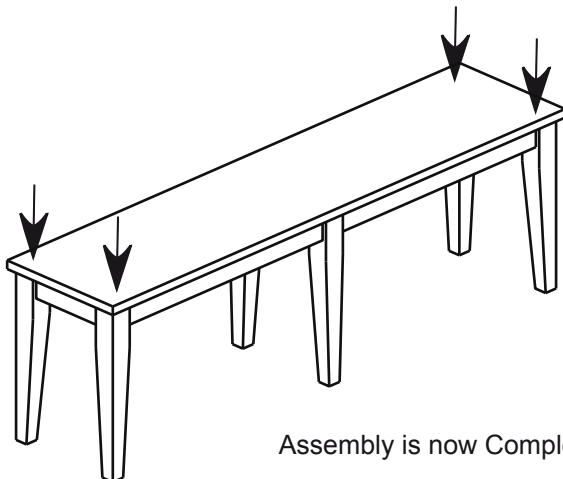
2.1- Attach 2 Center legs to the middle of Bench seat using the provided hardware as shown in Fig.2.



### STEP 3

3.1- Turn bench to upright position.

3.2- Once bench is fully balance fully tighten all bolts.



Assembly is now Completed.

**Fig.3**

#### CARE INSTRUCTION

~ Be sure to use the same type of polish consistently. Your furniture will appear cloudy or streaky if oil based or wax based polishes are interchanged.  
~ Spray your furniture surface evenly. Wipe in a circular motion with a soft clean cloth.