

WINNERS ONLY®

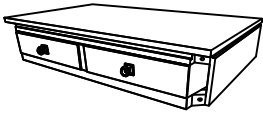

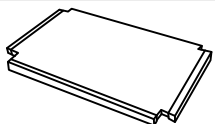
ASSEMBLY INSTRUCTIONS

PROD. NO : AH 300S



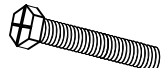

Thank you for purchasing this quality product. Be sure to check all packing material carefully for small parts that may have come loose inside the carton during shipment .

This product will take 15-20 minutes to assemble

Components List :

NO	DESCRIPTION	SKETCH	QTY
A	Table Top		1pc
B	Table Leg		4pc
C	Bottom Fixed Shelf		1pc

Hardware List :

NO	DESCRIPTION	SIZE	SKETCH	QTY
1	Flat Washer	$\frac{5}{16}$ " x 18 mm		12pcs
2	Spring Washer	$\frac{5}{16}$ "		12pcs
3	Hex Bolt	$\frac{5}{16}$ " x 2 $\frac{1}{2}$ "		12pcs
4	Wrench	12.8 mm		1pcs

Reminders

1. Use only the hardware supplied.
2. Once the Table is finished, level and tighten all the bolts.
3. Do not over tighten bolts.
4. This item may require periodic tightening.

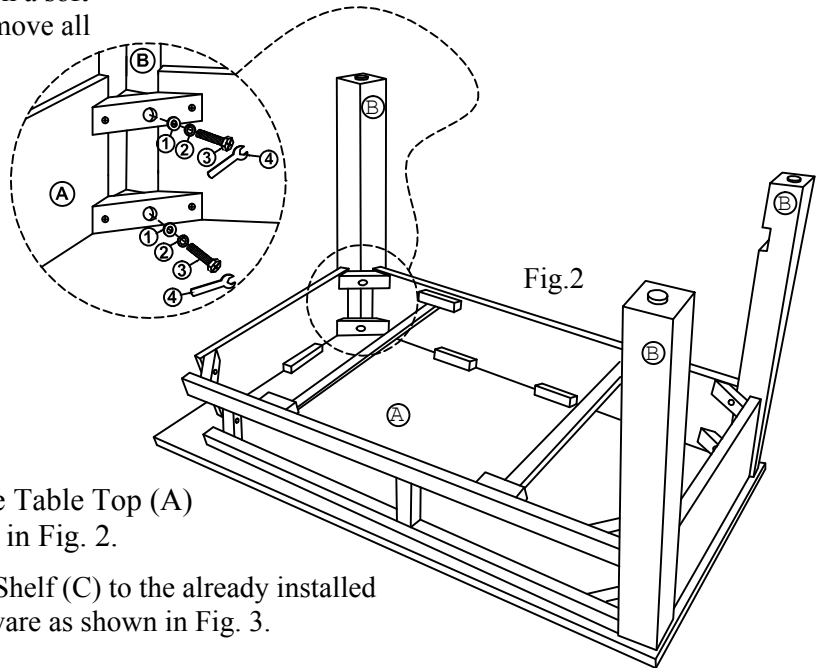
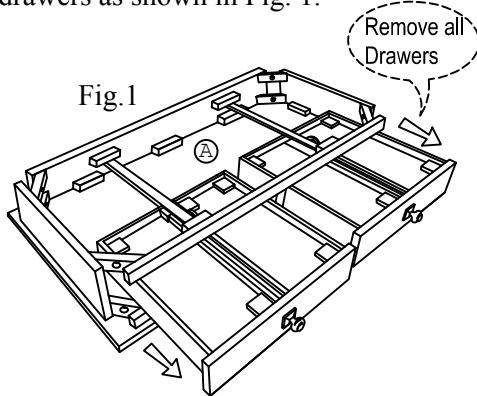
NOTE :

1. Hardware pack is located underneath the Table Top (A).
2. Two or more people are needed for assembly. Please keep all hardware part out the reach of children.

WINNERS ONLY® ASSEMBLY INSTRUCTIONS

PROD. NO : AH 300S

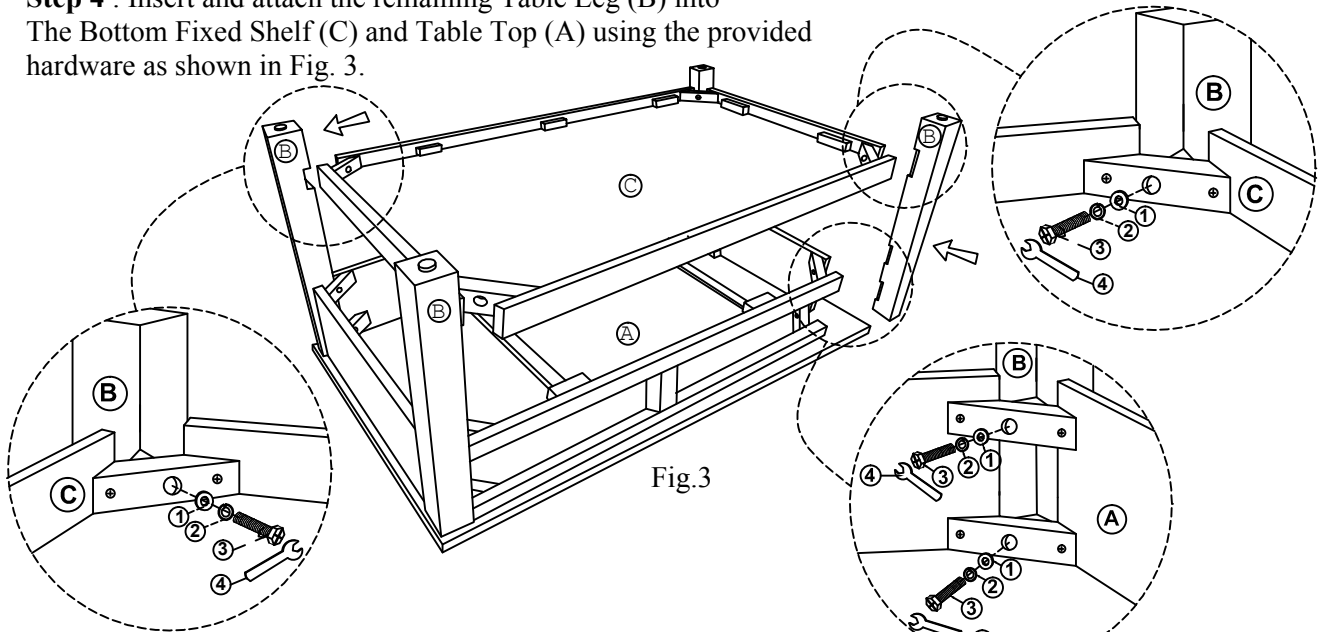
Step 1 : Turn Table top (A) upside down on a soft protective surface such as a carpet and remove all drawers as shown in Fig. 1.



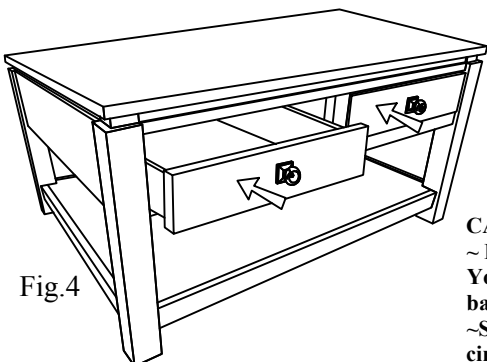
Step 2 : Attach 3 Table Legs (B) to the Table Top (A) using the provided hardware as shown in Fig. 2.

Step 3 : Insert and attach Bottom Fixed Shelf (C) to the already installed Table Legs (B) using the provided hardware as shown in Fig. 3.

Step 4 : Insert and attach the remaining Table Leg (B) into The Bottom Fixed Shelf (C) and Table Top (A) using the provided hardware as shown in Fig. 3.



Step 5 : Installed the Drawers back inside the Occasional Table as shown in Fig. 4.



CARE INSTRUCTION

~ Be sure to use the same type of polish consistently. Your furniture will appear cloudy or streaky if oil based or wax based polishes are interchanged.
~Spray your furniture surface evenly. Wipe in a circular motion with a soft clean cloth.

Assembly Completed ! 2 OF 2