

User's Manual

RA-239036SS

WALL MOUNT SERIES

NOTE: This unit does not support ductless operation.

For residential and indoor use only



Please read this operation manual thoroughly before using your range hood. Store it in a safe location for when you need to reference it in the future.

Table of Contents

Safety Information	2 – 3
Content Checklist	4
Measurements	5
Preparation	6
Installation	7 – 8
Installation Diagram	9
Operation & Features	10
Cleaning & Maintenance	11
Troubleshooting	12
Part List / Replacement	13
Warranty / Contact Us	14 – 15

SAFETY INFORMATION**TO REDUCE THE RISK OF A FIRE, ELECTRICAL SHOCK, AND/OR INJURY OBSERVE THE FOLLOWING:**

- Unit is intended for indoor residential use only. If you should have questions, contact the manufacturer at the address or telephone number listed in the warranty.
- In case the unit should need to be cleaned or repaired, switch power off at either breaker or by disconnecting the power cord from the outlet.
- Installation work and electrical wiring must be done by a qualified technician in accordance with all applicable codes and standards, including fire-rated construction.
- Sufficient air is needed for proper combustion and exhausting of gases through the flue (chimney) of fuel burning equipment to prevent back drafting. Follow the heating equipment manufacturer's guideline and safety standards such as those published by the National Fire Protection Association (NFPA), and the American Society of Heating, Refrigeration and Air Conditioning Engineers (ASHRAE), and the local code authorities.
- Because the unit is made of stainless steel, it may contain sharp edges. Be careful to avoid cuts and abrasions by wearing protective gloves during installation and cleaning.
- Before you begin to cut or drill into the wall, verify that there is no electrical wiring or any other hidden electrical components.
- Ducted fans must always be vented to the outdoors.
- Use metal ductwork when possible.
- Do not use this fan with any solid-state speed control device and/or in-line motor.
- The unit must be properly grounded before beginning operation.



TO REDUCE THE RISK OF A RANGE TOP GREASE FIRE:

- Regardless of heat level, never leave any surface materials unattended while operating an open flame.
- Always turn hood ON when cooking at high heat or when flambéing food (i.e. Crepes Suzette, Cherries Jubilee, Peppercorn Beef Flambé).
- Depending on amount of usage, clean ventilating fans and filters frequently. Grease should not be allowed to accumulate on fan or filter. For instructions on the how to clean, see maintenance page.



TO REDUCE THE RISK OF INJURY TO PERSONS IN THE EVENT OF A RANGE TOP GREASE FIRE, OBSERVE THE FOLLOWING:

- SMOTHER FLAMES with a close-fitting lid, cookie sheet, or metal tray, then turn off the burner. BE CAREFUL TO PREVENT BURNS. If the flames do not go out immediately, EVACUATE AND CALL 911.
 - NEVER PICK UP A FLAMING PAN — Doing so may result in serious burns and possibly spread the fire.
 - DO NOT USE WATER – Grease fire must be extinguished before further action may be taken. Using water will agitate the grease and may cause a violent steam explosion.
 - Use a Fire Extinguisher ONLY if:
 - ❖ You have a Class ABC extinguisher, and you already know how to operate it.
 - ❖ The fire is small and contained in the area where it started.
 - ❖ The fire department is being called.
 - ❖ You are able to safely control the fire with your back to an open exit. *
- Based on “Kitchen Fire safety Tips” published by NFPA.

CONTENT CHECKLIST**1. CONTENTS INCLUDED**

- a. (1) RA2390 series (36") hood assembly with duct cover
- b. (1) User's manual
- c. (1) 6" – 7" transition collar
- d. (3) Magnetic baffle filters
- e. (1) Screw packet

2. CONTENTS NOT INCLUDED

- a. RA2390EXT (Extension duct cover)
- b. RA2390CFMR (CFM reducer)
- c. 6" / 7" Aluminum or metal piping

3. TOOLS REQUIRED (NOT INCLUDED)

- a. Safety gloves
- b. Safety glasses
- c. Electric drill w/ starter bit
- d. Utility knife
- e. Spirit level
- f. Measuring tape
- g. Writing instrument (pen, marker, pencil)
- h. Aluminum tape

Fig. 1a

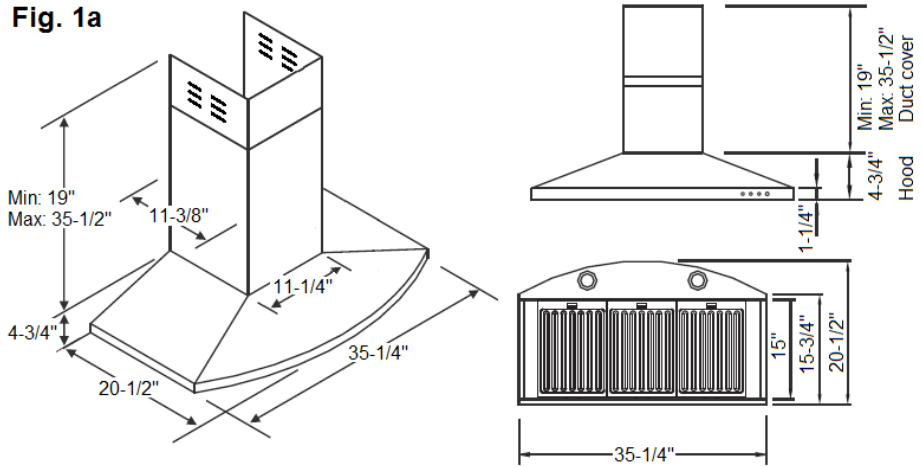
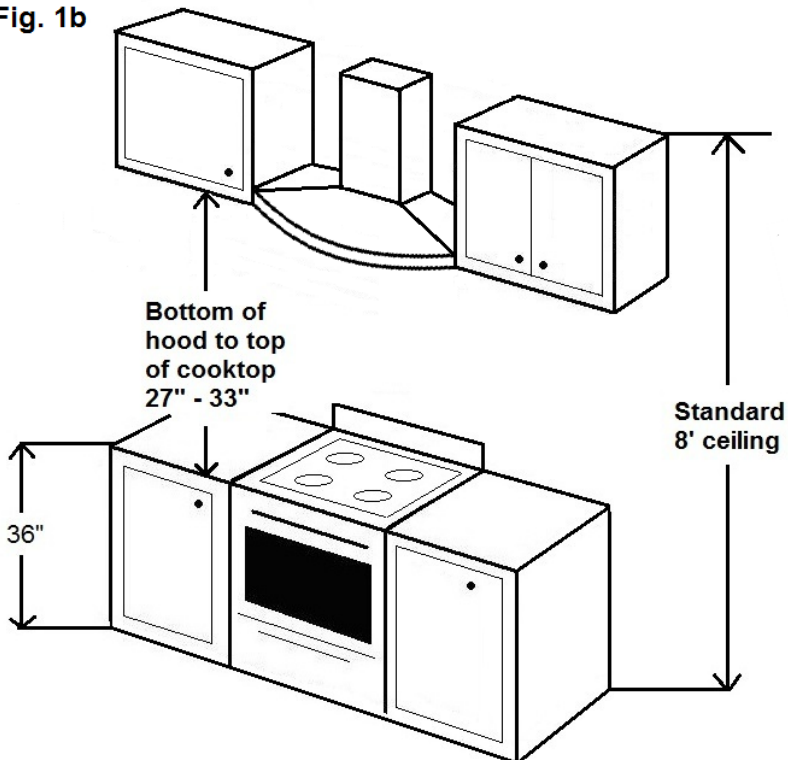


Fig. 1b



PREPARATION

1. BEFORE YOU START

****BE SURE YOUR UNIT WILL FIT YOUR CEILING HEIGHT****

- a. Be sure you have all the content of your purchase and required tools for this installation.
- b. Installation may take at least 1 to 2 hours from start to finish.
- c. Plan to use as few elbows or turns as possible for more efficient air flow.
- d. Collar size may need to be increased if utilizing a long duct run.
- e. At least 12" of vertical duct is required before any turn.
- f. Do not try to install this unit by yourself, **SERIOUS INJURY MAY OCCUR.**
- g. At least two people are needed for installation.
- h. Hiring a certified installer and electrician is recommended.

2. LOCATION

- a. Determine the exact location you where want to install the range hood.
- b. Distance between cooktop and range hood should be between 27"-33".
- c. Range hood should be mounted at stated measurements to ensure performance and lifespan of electrical components.
- d. Correctly measure the dimension needed to install the unit.

3. HOOD

- a. Inspect for any sign of defect or damage. (ie. scratches, dents, loose seams, etc.)
- b. Power up the unit to make sure it is working properly.
- c. Remove the protective file on the baffle filters.

Use Fig. 1a on page 5 for unit measurements

Use Fig. 1b on page 5 for general measurements

INSTALLATION

1. WALL MOUNT INSTALLATION

- a. Make sure all preparation steps are completed.
- b. Determine your ceiling height to see if you need an extension.
 - i. Hood unit height = 4-3/4"
 - ii. Duct cover minimum height = 19"
 - iii. Duct cover maximum height = 35-1/2"
 - iv. (OPTIONAL) Extension duct cover height = 47"
- c. Determine the location you want to install the range hood. **(Fig. 2a)**
- d. Prepare back wall frame with cross wood support.
- e. Mount the unit onto wall with mounting screws (not included)
- f. Adjust the duct cover mounting bracket to your desired height.
- g. Use a spirit level to ensure the balance of the hood is true.
- h. (OPTIONAL) Use the conversion collar for 7" ducting.
- i. Connect a 6" or 7" ducting to the collar of the hood.
- j. Connect the exhaust piping to the outlet of the unit. **(Fig. 2b)**
- k. Finish off by sealing the connection point with aluminum tape.
- l. Slide the duct cover into the unit and adjust its height. **(Fig. 2c)**
- m. Secure it with the (6) duct cover screws provided. **(Fig. 2d)**

2. EXTENSION DUCT COVER INSTALLATION

- a. Replace the original inner duct cover piece with the extension.
- b. Determine the desired height to mount the duct cover.
- c. REPEAT "STEP F – M" from WALL MOUNT INSTALLATION section.

8

INSTALLATION

3. COLD WEATHER INSTALLATION (OPTIONAL)

- a. Check with your local building codes to see if a CFM reducer is an acceptable alternative to make-up air.
- b. Remove the RA2390CFMR (CFM Reducer) and inspect for any sign of defect or damage. (ie. Cracks, broken flips)
- c. **AFTER COMPLETING Step A – G of Section 1 WALL MOUNT INSTALLATION**
- d. Place the CFM reducer onto the outlet of the unit and seal the connection point with aluminum tape. (Be sure it is secure with no opening or gaps)
- e. Connect a 6" or 7" ducting to the collar of the hood.
- f. Connect the exhaust piping to the outlet of the unit. **(Fig. 2b)**
- g. Finish off by sealing the connection point with aluminum tape.
- h. Slide the duct cover into the unit and adjust its height. **(Fig. 2c)**
- i. Secure it with the (6) duct cover screws provided. **(Fig. 2d)**

Installation diagram available on next page

INSTALLATION DIAGRAM

Fig. 2a

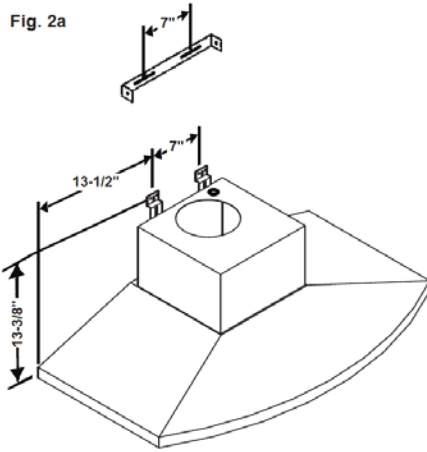


Fig. 2b

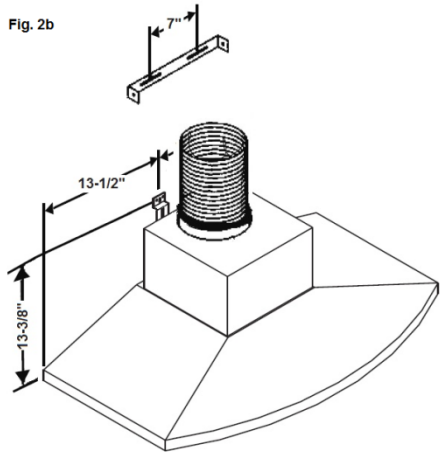


Fig. 2c

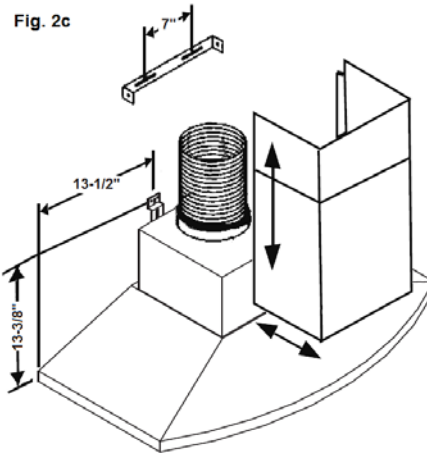
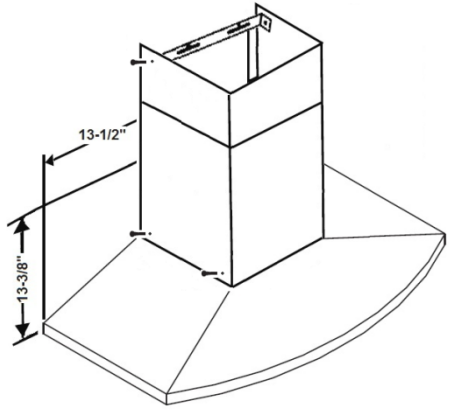


Fig. 2d



OPERATION & FEATURES**1. EASY ACCESS CONTROL SWITCH (from left to right)**

- a. Button 1 – ON / DELAY SHUTOFF / OFF
- b. Button 2 – Light control
- c. Button 3 – Speed control
- d. Blue color speed indicator

2. FAN SPEED

- a. Low speed – 200 CFM / ____ Sones
- b. Medium speed – 410 CFM / ____ Sones
- c. High speed – 620 CFM / 5.4 Sones

3. LED LIGHTING

- a. (2) 65 lm/w each
- b. Color – Warm White 5000-5500K

4. BAFFLE FILTERS

- a. (3) 14-7/8" x 10-5/8" magnetic baffle filters

CLEANING & MAINTENANCE

WARNING!!!



To prevent the possibility of a fire and explosion, do not use flammable liquids or solvents to clean the unit or any of its parts.



Check to make sure all power sources are disconnected before servicing or taking unit apart for cleaning.

1. RANGE HOOD

- a. Use household cleaner to remove grease or dirt from the outer shell of the unit. Spray on wiping cloth or sponge and wipe in the direction of the grain to avoid scratching the unit. (DO NOT SPRAY DIRECTLY ONTO UNIT)
- b. Clean the inner working of the unit periodically to avoid grease build-up.
- c. Do not open control switch panel while the hood is connected to power.
- d. Use stainless steel cleaner to bring back the luster of the unit.

2. BAFFLE FILTERS

- a. Remove baffle filters from unit and place in warm soapy water.
- b. Clean the baffle filters regularly to maintain efficient suction power.
- c. Do not drop baffle filters.
- d. Let it soak thoroughly and then clean it with a wiping cloth or sponge.
- e. Baffle filters may also be cleaned using residential dishwasher.

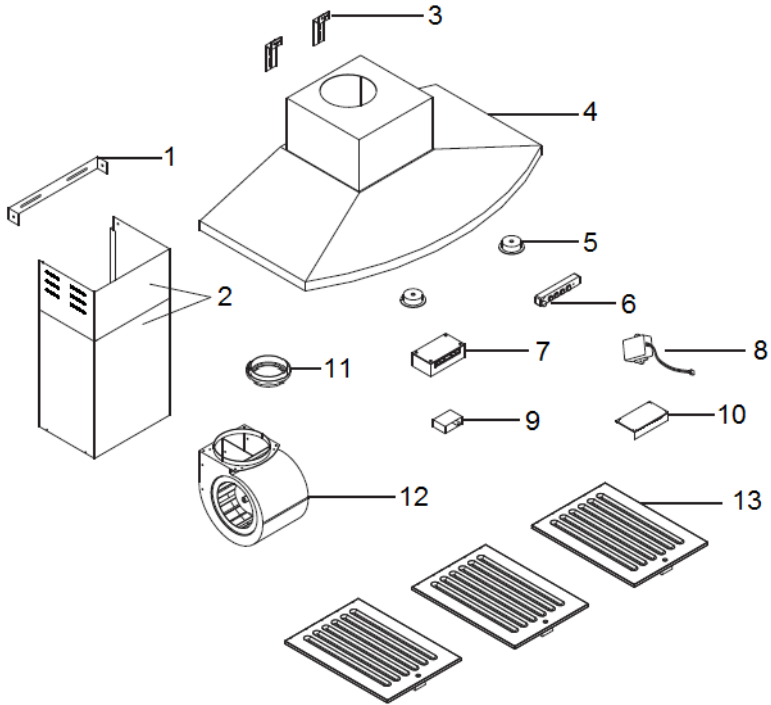
TROUBLESHOOTING**WARNING!!!**

Check to make sure all power sources are disconnected before starting any troubleshooting. Safety gloves and glasses should be worn when working on the unit. Serious injury or death may occur if safety precautions are not followed.

RA2390 Series

Light Issue (All not turning on)	New Transformer/ Driver replacement is required.
Halogen/LED light issue	Replace burnt 20w light bulb/ LED may require new fixture or driver.
Light Issue (One light not turning on)	Replace defective fixture.
Speed indicator not showing speed levels	Complete Control switch replacement is required.
Burnt/melted control switch	Complete Control switch replacement is required.
Speed levels not working correctly	Complete Control switch replacement is required.
Unit lacking smoke intake	<ol style="list-style-type: none"> 1. Check ducting for foreign object. 2. Ensure the ducting is properly sealed. 3. Clean filters to increase airflow.
Unit showing no power indication	<ol style="list-style-type: none"> 1. Make sure the power source is working properly. 2. All wiring is connected.
Unit making humming noise	Replace defective capacitor with new one.

PART LIST / REPLACEMENT



#	Description	#	Description
1	Duct cover bracket	8	Transformer
2	Duct cover	9	Capacitor
3	Hood bracket	10	Motor support bracket
4	Hood body assembly	11	6" – 7" transition collar
5	LED lights	12	Squirrel cage motor
6	Control switch	13	Baffle filters x 3
7	Control board		

WARRANTY / CONTACT US**LIMITED WARRANTY**

Windster Hoods Inc. warrants its product against defects in material or workmanship as follows:

Labor: For a period of one (1) year from the date of purchase, if the product is determined to be defective, Windster will repair or replace the product, at its option, at no charge. After the warranty period, customer must pay for all labor charges. During the "labor" warranty period there will be no charge for any work done on the purchased model. (All labor repairs are limited only to the installation of electrical components.)

Parts: In addition, Windster will supply, at no charge, new or rebuilt replacements in exchange for defective parts for a period of two (2) years. After the warranty period, you must pay for all parts costs. During the "parts" warranty period, there will be no charge for parts

You must carry-in or mail-in your product during the warranty period. This warranty applies to products purchased and serviced in the United States only.

** All parts and labor warranty will only apply to U.S. residents in the lower 48 states.

** Windster Hoods, Inc. will attempt to repair malfunctioning units prior to shipping a replacement. In the case that a unit cannot be repaired and must be replaced, Windster Hoods, Inc. will not be held liable for removal/installation fees of the malfunctioning/replacement unit.

WARRANTY / CONTACT US

WHAT IS NOT COVERED BY MANUFACTURE WARRANTY

1. Damages resulting from any of the following:
 - a. Improper installation or maintenance
 - b. Any repair, modification, alteration or adjustment not authorized by the manufacturer or an authorized service dealer
 - c. Misuse and/or accidents
 - d. Incorrect electric current, voltage or power supply
 - e. Improper setting of any control (Pressing multiple selections at the same time)
 - f. Improper chemical cleaning (commercial or industrial cleaning agents)
2. Products purchased for use in a commercial or industrial setting (such as in a hotel, office, restaurant, or other business)
3. Damage resulting from natural disasters (earthquake, flood, storm, etc.)
4. Aluminum Filters, Baffle Filters, Charcoal Filters, and Oil Cup Filters
5. Light Bulbs

CONTACT US

Windster Hoods, Inc.

Toll Free: (877) 350 – 5215

www.windsterhood.com

Information subject to change without notice