

WINDSTER™

www.windsterhood.com

User's Manual

PF-72E30 (SS / WH)

UNDER CABINET SERIES

NOTE: Ductless operation is supported as an additional option. Ductless option will only operate with Aluminum Mesh Filters, not with Baffle filters. For ductless operation, please refer to page 8.

For residential and indoor use only



Please read this operation manual thoroughly before using your range hood. Store it in a safe location for when you need to reference it in the future.

TABLE OF CONTENTS **1**

Table of Contents

<i>Safety Information</i>	2 – 3
<i>Content Checklist</i>	4
<i>Measurements</i>	5
<i>Preparation</i>	6– 7
<i>Installation</i>	8
<i>Installation Diagram</i>	9
<i>Operation & Features</i>	10
<i>Cleaning & Maintenance</i>	11
<i>Troubleshooting</i>	12
<i>Part List / Replacement</i>	13 – 14
<i>Warranty / Contact Us</i>	15 – 16

SAFETY INFORMATION**TO REDUCE THE RISK OF A FIRE, ELECTRICAL SHOCK,
AND/OR INJURY OBSERVE THE FOLLOWING:**

- Unit is intended for indoor residential use only. If you should have questions, contact the manufacturer at the address or telephone number listed in the warranty.
- In case the unit should need to be cleaned or repaired, switch power off at service panel and lock service disconnecting means to prevent power from being switched on accidentally. When the service disconnecting means cannot be locked, securely fasten a prominent warning device, such as a tag, to the service panel.
- Installation work and electrical wiring must be done by a qualified technician in accordance with all applicable codes and standards, including fire-rated construction.
- Sufficient air is needed for proper combustion and exhausting of gases through the flue (chimney) of fuel burning equipment to prevent back drafting. Follow the heating equipment manufacturer's guideline and safety standards such as those published by the National Fire Protection Association (NFPA), and the American Society of Heating, Refrigeration and Air Conditioning Engineers (ASHRAE), and the local code authorities.
- Because the unit is made of stainless steel, it may contain sharp edges. Be careful to avoid cuts and abrasions by wearing protective gloves during installation and cleaning.
- Before you begin to cut or drill into the wall, verify that there is no electrical wiring or any other hidden electrical components.
- Ducted fans must always be vented to the outdoors.
- The unit must be properly grounded and installed at the recommended height before beginning operation.
- To reduce the risk of fire, use only metal ductwork.

**CAUTION: FOR GENERAL VENTILATING USE ONLY. DO NOT
USE TO EXHAUST HAZARDOUS OR EXPLOSIVE MATERIALS
AND VAPORS.**



TO REDUCE THE RISK OF FIRE, OR ELECTRIC SHOCK, DO NOT USE THIS FAN WITH ANY SOLID-STATE SPEED CONTROL DEVICE.

- Regardless of heat level, never leave any surface materials unattended while operating an open flame.
- Always turn hood ON when cooking at high heat or when flambéing food (i.e. Crepes Suzette, Cherries Jubilee, Peppercorn Beef Flambé).
- Depending on amount of usage, clean ventilating fans and filters frequently. Grease should not be allowed to accumulate on fan or filter. For instructions on the how to clean, see maintenance page.
- Never leave surface units unattended at high settings. Boil-overs may cause smoking and greasy spillovers may ignite as result. Heat oils slowly on low or medium settings.
- Use proper pan size. Always use cookware appropriate for the size of the surface element.



TO REDUCE THE RISK OF INJURY TO PERSONS IN THE EVENT OF A RANGE TOP GREASE FIRE, OBSERVE THE FOLLOWING:

- SMOTHER FLAMES with a close-fitting lid, cookie sheet, or metal tray, then turn off the burner. BE CAREFUL TO PREVENT BURNS. If the flames do not go out immediately, EVACUATE AND CALL 911.
 - NEVER PICK UP A FLAMING PAN —Doing so may result in serious burns and possibly spread the fire.
 - DO NOT USE WATER – Grease fire must be extinguished before further action may be taken. Using water will agitate the grease and may cause a violent steam explosion.
 - Use a Fire Extinguisher ONLY if:
 - ❖ You know you have a Class ABC extinguisher, and you already know how to operate it.
 - ❖ The fire is small and contained in the area where it started.
 - ❖ The fire department is being called.
 - ❖ You are able to safely control the fire with your back to an open exit. *
- Based on “Kitchen Fire safety Tips” published by NFPA.

4

CONTENT CHECKLIST

CONTENT CHECKLIST

1. CONTENTS INCLUDED

- a. (1) PF-72E series(30")(SS or WH) hood assembly
- b. (1) User's manual
- c. (1) Rectangular collar
- d. (2) Mesh filters
- e. (1) Screw packet

2. CONTENTS NOT INCLUDED

- a. 3-1/4 x 10 rectangular ducting

3. TOOLS REQUIRED (NOT INCLUDED)

- a. Safety gloves
- b. Safety glasses
- c. Electric drill w/ starter bit
- d. Utility knife
- e. Philips screwdriver
- f. Spirit level
- g. Measuring tape
- h. Writing instrument (pen, marker, pencil)
- i. Aluminum tape

Fig. 1a

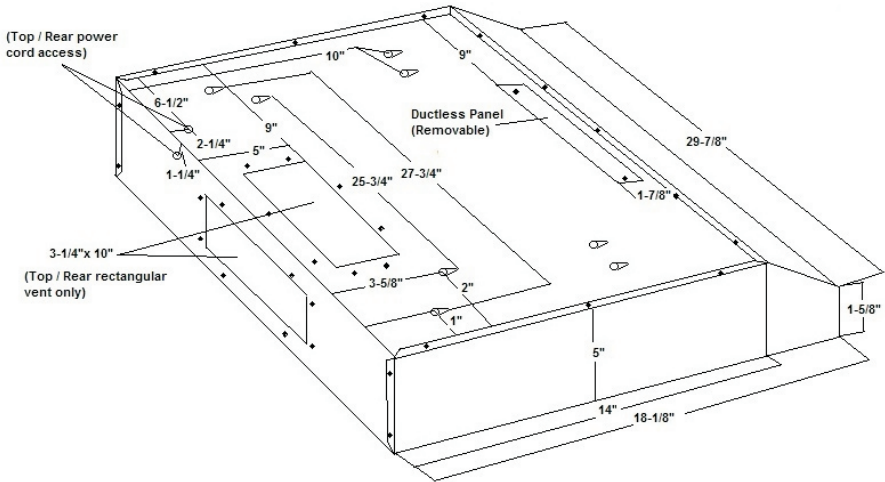
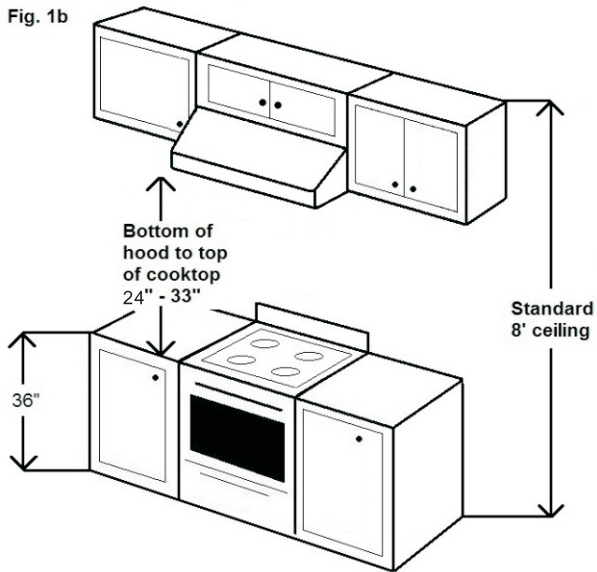


Fig. 1b



6

PREPARATION

PREPARATION

1. BEFORE YOU START

- a. Be sure you have all the content of your purchase and required tools for this installation.
- b. Installation may take at least 1 to 2 hours from start to finish.
- c. Plan to use as few elbows or turns as possible for more efficient air flow.
- d. Collar size may need to be increased if utilizing a long duct run.
- e. At least 12" of vertical duct is required before any turn.
- f. Do not try to install this unit by yourself, **SERIOUS INJURY MAY OCCUR.**
- g. At least two people are needed for installation.
- h. Hiring a certified installer and electrician is recommended.
- i. Cold weather installation will require make-up air or a CFM reducer.
Check with your local building codes for more detail.

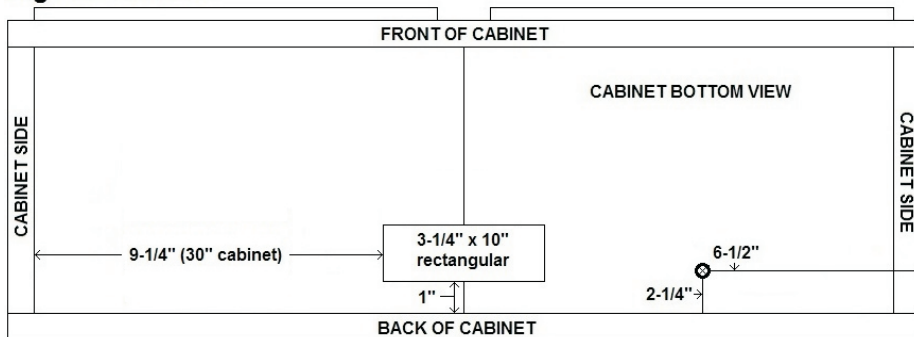
2. LOCATION

- a. Determine the exact location you want to install the range hood.
- b. Distance between cooktop and range hood should be between 24"-33".
- c. Range hood should be mounted at stated measurements to ensure performance and lifespan of electrical components.
- d. Correctly measure the dimension needed to install the unit.

Use Fig. 1a on page 5 for unit measurements

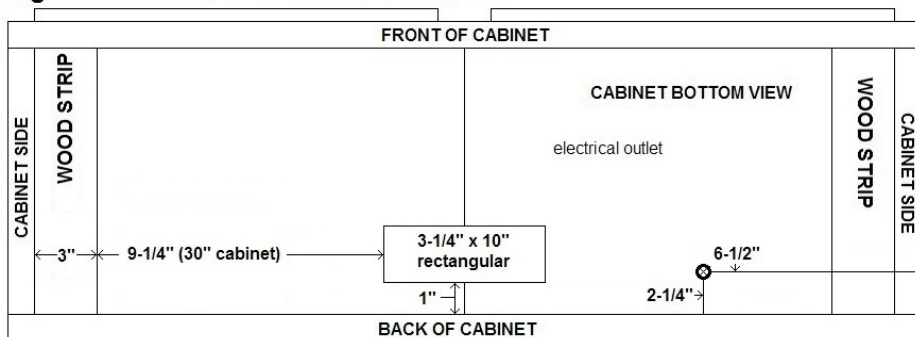
Use Fig. 1b on page 5 for general measurements

Fig. 1c - Cabinet



- e. For cabinet with recessed-bottom, use (2) 3" x 12" or 15" wood strips on both sides to balance the recession. Use (4) 1-1/4" long flat head screws to secure the wood strips to cabinet.(Fig. 1d)

Fig. 1d - Cabinet w/ recessed-bottom



3. HOOD

- a. Inspect for any sign of defect or damage. (ie. scratches, dents, loose seams, etc.)
- b. Power up the unit to make sure it is working properly.
- c. Remove the protective file on the hood.
- d. Remove the (2) filtersat the bottom of the hood to access the inside of the hood.

INSTALLATION

1. UNDER CABINET INSTALLATION (Top rectangular outlet)

- a. Make sure all preparation steps are completed.
- b. Carefully knock out the stainless steel panel on top of the unit.

*****Knockout panel cannot be replaced, proceed at your own risk*****

- c. Connect the 3-1/4" x 10" rectangular collar to the top of the unit.
- d. Locate and open the wire box on the right side of the unit. (Fig. 2a)
- e. Feed the wires coming out of the hood through the bottom of the cabinet.
- f. Lift the unit up flush against the wall and the cabinet. (Fig. 2b)
- g. Using the screws and washers provided, insert into each of the keyhole openings and tightly secure the unit against the cabinet. (Fig. 2c)
- h. Connect the color coded wires. (Fig. 2d)
- i. Connect 3-1/4" x 10" rectangular ducting to the collar of the hood.

2. DUCTLESS INSTALLATION (OPTIONAL)

- a. Make sure all preparation steps are completed.
- b. Unscrew the metal panel at the front center of the unit.
- c. Place the charcoal filter on top of the mesh filter. (Fig. 3a)
- d. Use the clips provided to secure the charcoal filter. (Fig. 3b)
- e. Clips will click when the charcoal filter is secured. (Fig. 3c)
- f. Install 4 clips in total. (Fig. 3d)
- g. REPEAT STEP D – Hof Section 1 UNDER CABINET INSTALLATION.

3. UNDER CABINET INSTALLATION (Rear rectangular outlet)

- a. Make sure all preparation steps are completed.
- b. Carefully knock out the stainless steel panel in the back of the unit.

*****Knockout panel cannot be replaced, proceed at your own risk*****

- c. Remove the 3-1/4" x 10" rectangular collar in the back of the unit.
- d. Place the collar at the back of the unit and secure with screws.
- e. Conversion is complete after the adaptor is secured

Installation diagram available on next page

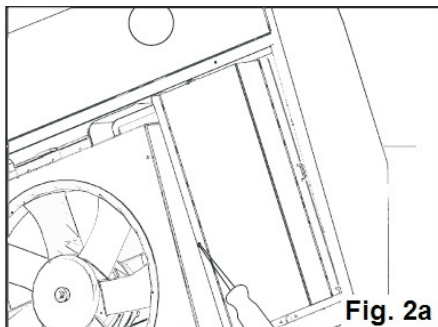


Fig. 2a

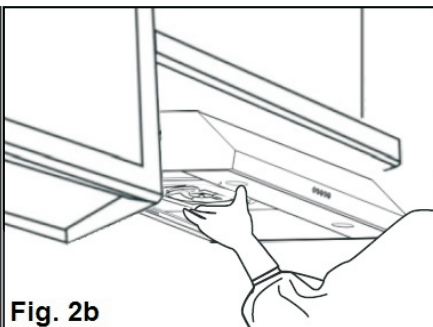


Fig. 2b

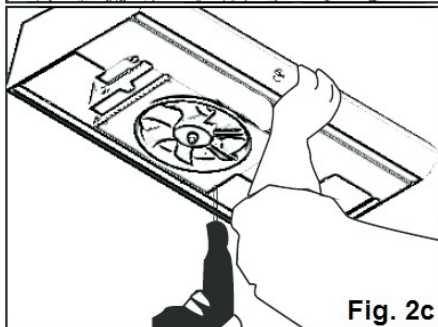


Fig. 2c

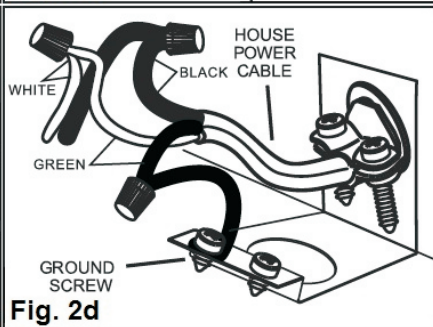


Fig. 2d

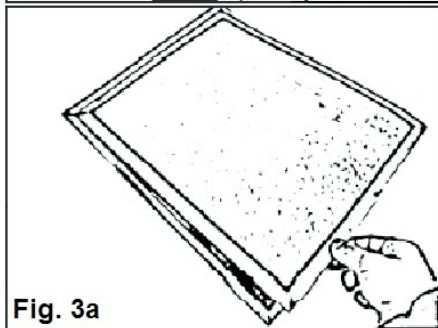


Fig. 3a

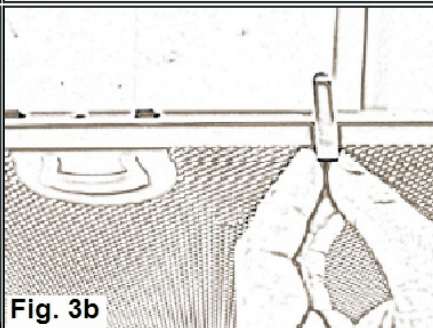


Fig. 3b

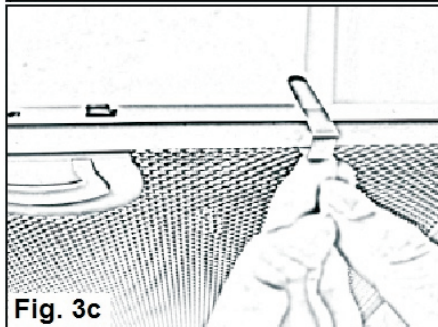


Fig. 3c

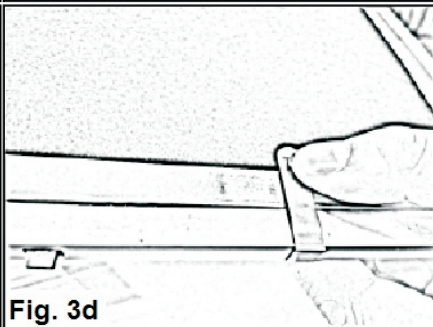


Fig. 3d

10 OPERATION & FEATURES

OPERATION & FEATURES

1. EASY ACCESS CONTROL SWITCH (from left to right)

- i. Light – ON / OFF
- ii. Speed 3 – HIGH SPEED
- iii. Speed 2 – MEDIUM SPEED
- iv. Speed 1 – LOW SPEED
- v. Power – ON / OFF



2. HALOGEN LIGHTING

- a. Max 35 watts (GU10 socket)
- b. Upgrade to LED using a GU10 bulb (OPTIONAL)

3. MESH FILTERS


- a. (2) Meshfilters


4. CHARCOAL FILTERS (OPTIONAL)

- a. (2) Rectangular charcoal filter sheets

CLEANING & MAINTENANCE

WARNING!!!

 To prevent the possibility of a fire and explosion, do not use flammable liquids or solvents to clean the unit or any of its parts.

 Check to make sure all power sources are disconnected before servicing or taking unit apart for cleaning.

1. RANGE HOOD

- a. Use household cleaner to remove grease or dirt from the outer shell of the unit. Spray on wiping cloth or sponge and wipe in the direction of the grain to avoid scratching the unit. (DO NOT SPRAY DIRECTLY ONTO UNIT)
- b. Clean the inner working of the unit periodically to avoid grease build-up.
- c. Do not open control switch panel while the hood is connected to power.
- d. Use stainless steel cleaner to bring back the shine to the unit.

2. CHARCOAL FILTERS

 **DO NOT WASH CHARCOAL FILTER WITH WATER OR PUT CHARCOAL FILTER IN DISHWASHER. IT WILL DISSOLVE!!**

- a. Remove charcoal filters from unit and wipe the edges with soapy water.
- b. Clean the charcoal filters regularly for the most efficient suction power.
- c. Do not drop charcoal filters or filler.

12 TROUBLESHOOTING

TRUBLESHOOTING

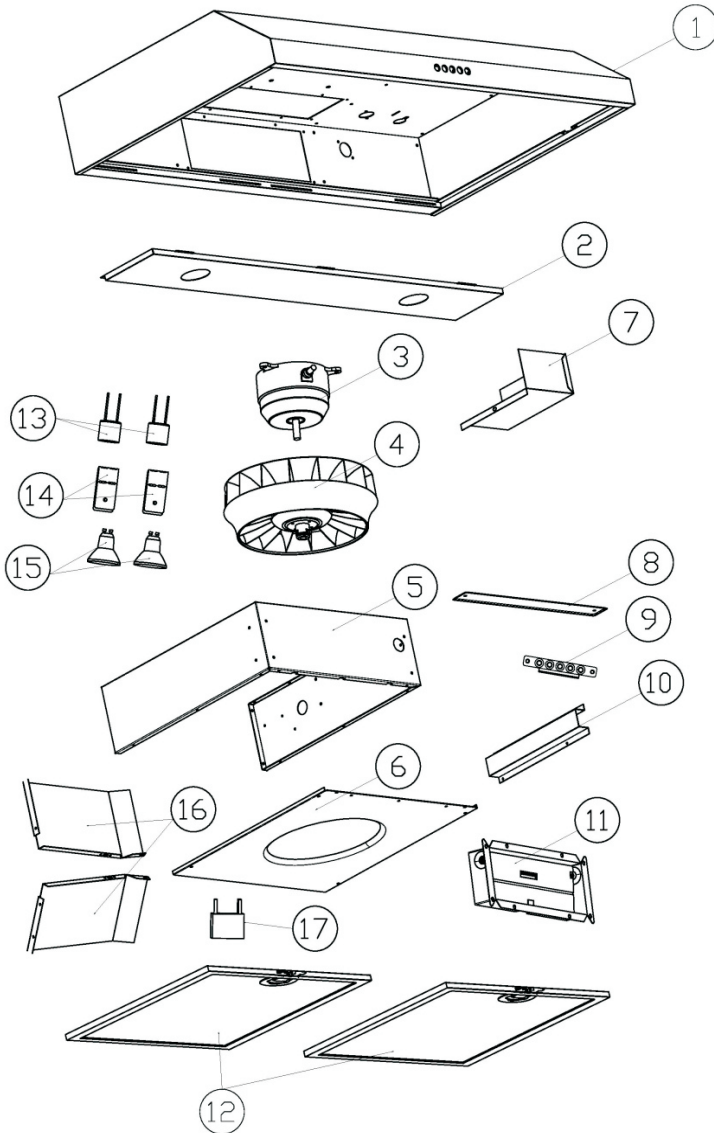
WARNING!!!



Check to make sure all power sources are disconnected before starting any troubleshooting. Safety gloves and glasses should be worn when working on the unit. Serious injury or death may occur if safety precautions are not followed.

PF-72ESeries	
Light Issue (Not turning on)	Replace defective light fixture.
Motor issue (Only one working motor)	Replace the defective motor.
Burnt/melted control switch	Complete Control switch replacement is required.
Speed levels not working correctly	Complete Control switch replacement is required.
Unit lacking smoke intake	Make sure a reducer has not been installed.
Unit showing no power indication	1. Make sure the power source is working properly. 2. All wiring is connected.
Unit making humming noise	Replace defective capacitor.

PART LIST / REPLACEMENT



14 PART LIST / REPLACEMENT

#	Description	#	Description
1	Hood body assembly	10	Internal wire cover
2	Light panel	11	Rectangular damper
3	Motor	12	Filters
4	Fan	13	GU10 light socket
5	Air chamber	14	Light bracket
6	Fan Cover	15	Light bulb
7	Wire box cover	16	Air chamber brackets
8	Ductless panel	17	Capacitor
9	Control switch		

WARRANTY / CONTACT US

LIMITED WARRANTY

Windster Hoods Inc. warrants its product against defects in material or workmanship as follows:

Labor:For a period of one (1) year from the date of purchase, if the product is determined to be defective, Windster will attempt to repair the product, at its option, at no charge. After the warranty period, customer must pay for all labor charges. During the "labor" warranty period there will be no charge for any work done on the purchased model. (All labor repairs are limited only to the installation of electrical components.)

Parts:In addition, Windster will supply, at no charge, new or rebuilt replacements in exchange for defective parts for a period of one (1) year. After the warranty period, you must pay for all parts costs. During the "parts" warranty period, there will be no charge for parts

You must provide the serial number of your unit for any replacement parts during the warranty period. This warranty applies to products purchased and serviced in the United States only.

For products purchased in Canada, please contact your local retailer where you purchased the unit for service.

*Windster Hoods, Inc. will attempt to repair malfunctioning units prior to shipping a replacement. In the case that a unit cannot be repaired and must be replaced, Windster Hoods, Inc. will not be held liable for removal/installation fees of the malfunctioning/replacement unit.

16 WARRANTY / CONTACT US

WHAT IS NOT COVERED BY MANUFACTURE WARRANTY

1. Damages resulting from any of the following:
 - a. Improper installation or maintenance
 - b. Any repair, modification, alteration or adjustment not authorized by the manufacturer or an authorized service dealer
 - c. Misuse and/or accidents
 - d. Incorrect electric current, voltage or power supply
 - e. Improper setting of any control (Pressing multiple selections at the same time)
 - f. Improper chemical cleaning (commercial or industrial cleaning agents)
2. Products purchased for use in a commercial or industrial setting (such as in a hotel, office, restaurant, or other business)
3. Damage resulting from natural disasters (earthquake, flood, storm, etc.)
4. Aluminum Filters, Baffle Filters, Charcoal Filters, and Oil Cup Filters
5. Light Bulbs

CONTACT US

Windster Hoods, Inc.
15210 Nelson Ave.
City of Industry, CA 91744
TEL: (626) 330 – 5800
FAX: (626) 330 – 5811
Toll Free: (877) 350 – 5215
E-mail: Support@windsterhood.com
© Windster Hoods, Inc.
Information subject to change without notice