

Model #

3499AFGAC;

3499AFCAF

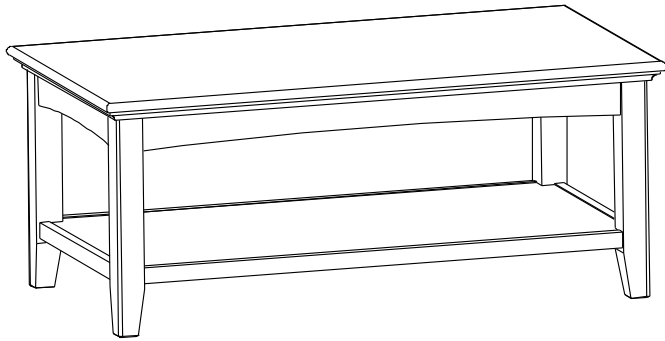
McKenzie

Cocktail Table

AFGAC = Glazed Antique Cherry finish

AFCAF = Caffè finish

Assembly Instructions



Congratulations!

This fine piece of furniture will make a gorgeous addition to your home. For the best results, read the Assembly Instructions before you begin your project.

IMPORTANT NOTES:

- For normal household use only. *Not* recommended for commercial use.
- Do not climb, sit or stand on this piece of furniture.
- Unload items before you move this unit.
- Do not overload the shelf.
- Before you load or move this unit, tighten all screws and supports.
- Before you begin your project, completely read the Assembly Instructions.
- Store this item: 1- in its box; 2- in a dry place; 3- in temperatures that range from 40°F to 90°F (not on a cold and possibly damp cement floor).
- Periodically inspect your furniture for any loose glue joints, screws or any other problem that might affect the stability of your furniture. Tighten or repair as needed.

⚠ WARNING

Notice to California Customers

California Prop 65 requires consumer goods to be labeled if any one of 850+ different chemicals or substances, including wood dust, is present even in trace amounts. Drilling, sawing, sanding or machining wood products generates wood dust, a substance known to the State of California to cause cancer. **Warning:** This product contains a chemical or substance known to the State of California to cause cancer, birth defects or other reproductive harm. *California Health and Safety Code Section 25249.6*

DESIGN SUBJECT TO CHANGE WITHOUT NOTICE.

📞 CALL US FIRST! Do not return this item to the store

Service Policy: We will replace any part that is defective, missing or damaged during assembly. For a replacement part, directly contact Whittier Wood Products customer service department by phone, fax, mail or email.

Hours: Our friendly customer service staff can be reached Monday-Friday 7:00 a.m. to 5:00 p.m. (Pacific Time). You may leave a message 24 hours a day, seven days a week.

To Order: Provide the finish and furniture model number (upper portion of this page), the part letter, production code, quantity needed, reason for replacement and your full name, address and telephone number.

Parts ship from our Eugene, Oregon factory within one or two business days from the time we receive your request. Please allow five to ten business days for delivery.

800-653-3336 • Outside the U.S. or Canada: 541-687-0213 • Fax: 541-687-2060
www.whittierwood.com • P.O. Box 2827 • Eugene, Oregon 97402, U.S.A.

**Whittier
Wood**
FURNITURE

P.O. Box 2827
Eugene, OR 97402 USA

Production Code:

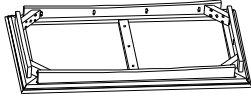
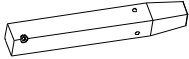




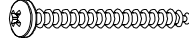
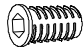



VN

08/13

3499AFGAC; 3499AFCAF McKenzie Cocktail Table

Parts List

Please identify the parts and check that quantities received match those on this list.
If you need to replace a part, refer to the following letter and part name.

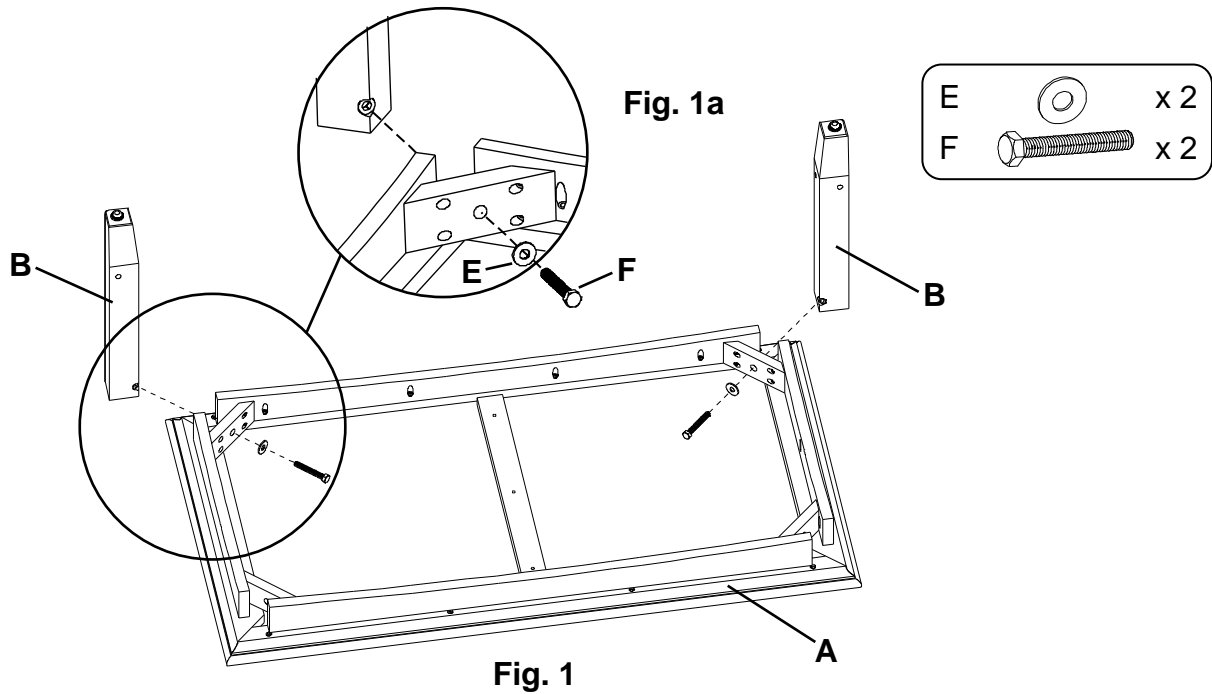
Part	Description	Image	Quantity
A	Top Assembly		1
B	Leg		4
C	Shelf Assembly		1
D	#8 x 1-1/4" Pan Head Screw		41 (33 inserted)
E	5/16" Flat Washer		4
F	3/8" x 2-1/2" Hex Bolt		4
G	#8 x 1-3/4" Pan Head Screw (inserted)		14
H	3/8" x 1" Insert Nut (inserted)		4
J	Adjustable Glide (installed)		4
K	Wood Dowel (inserted)		4
L	1/4" x 20mm Insert Nut (inserted)		4

3499AFGAC; 3499AFCAF McKenzie Cocktail Table

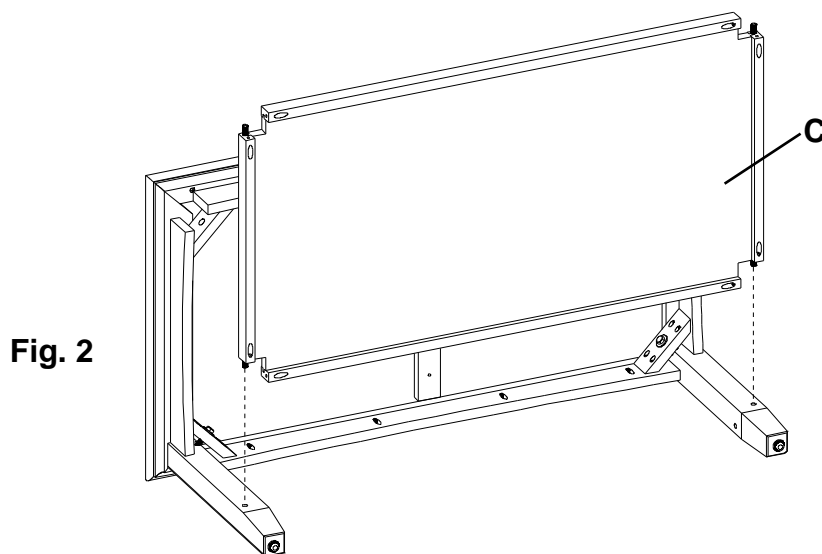
Assembly Instructions

Tools Required: Phillips Screwdriver, 9/16" or Adjustable Wrench

1. Turn the Top Assembly (A) upside-down on a clean, protected surface. Place two Legs (B) at the back of the Top Assembly (A), making sure the drilled corners of the legs face toward the Corner Blocks. Attach with 5/16" Flat Washers (E) and 3/8" x 2-1/2" Hex Bolts (F). See Figures 1 and 1a.



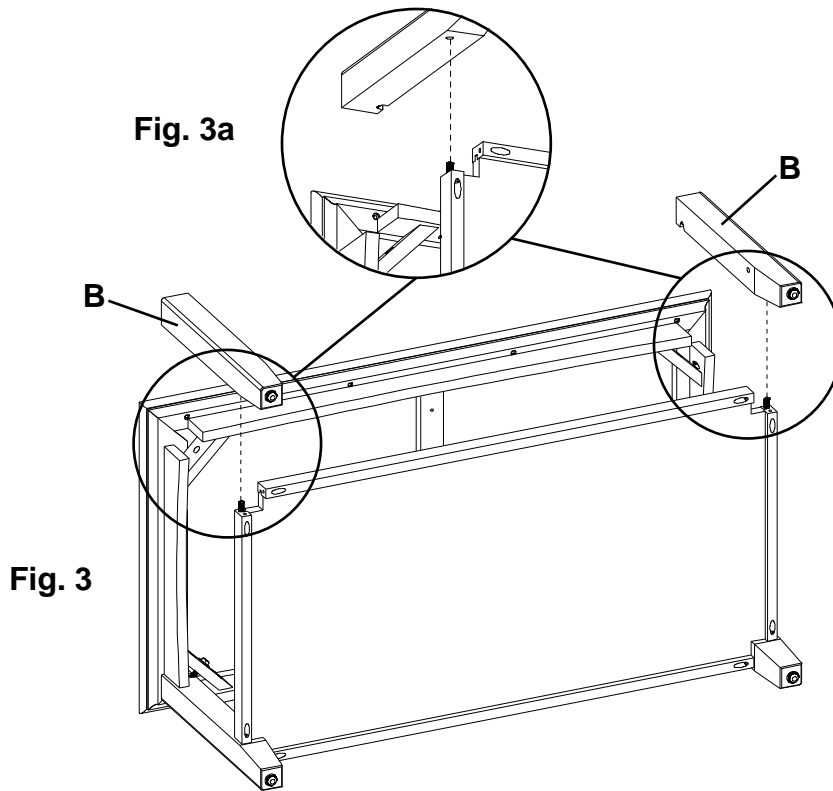
2. Rotate the Top and Leg assembly so that it sets on the back legs. Turn the Shelf Assembly (C) bottom-side-down and place the dowels into the dowel holes in the Legs. See Figure 2.



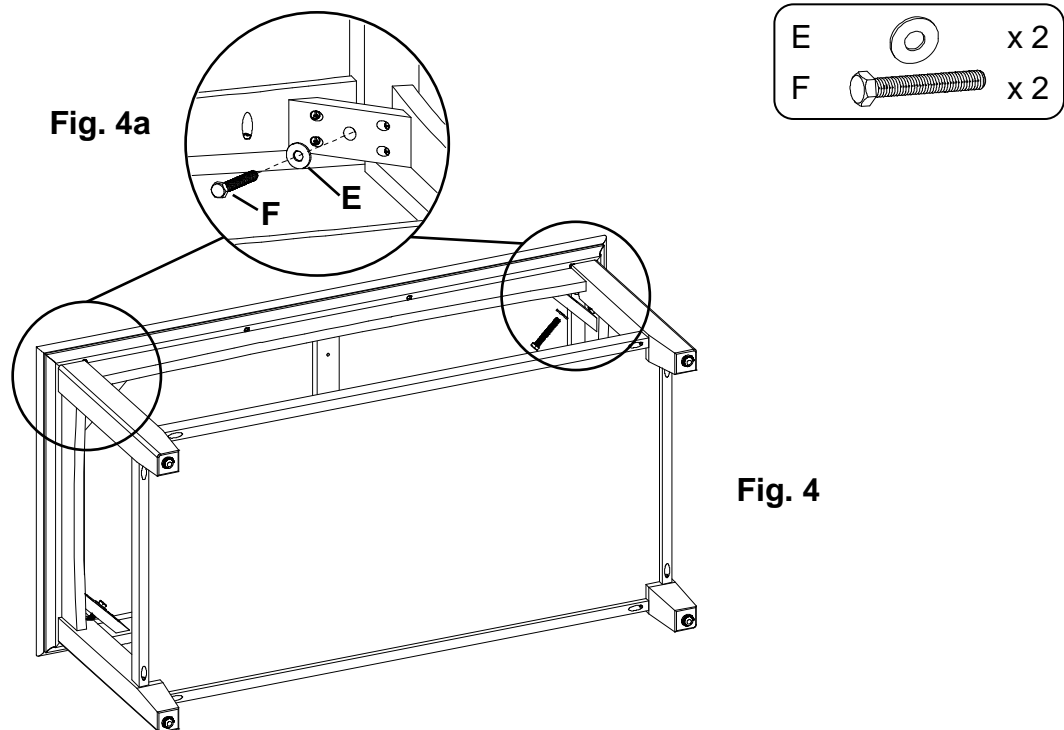
3499AFGAC; 3499AFCAF McKenzie Cocktail Table

Assembly Instructions

3. Using the dowels as guides, place the remaining Legs (B) in the remaining two corners making sure the drilled corners of the Legs face toward the Corner Blocks. See Figure 3.



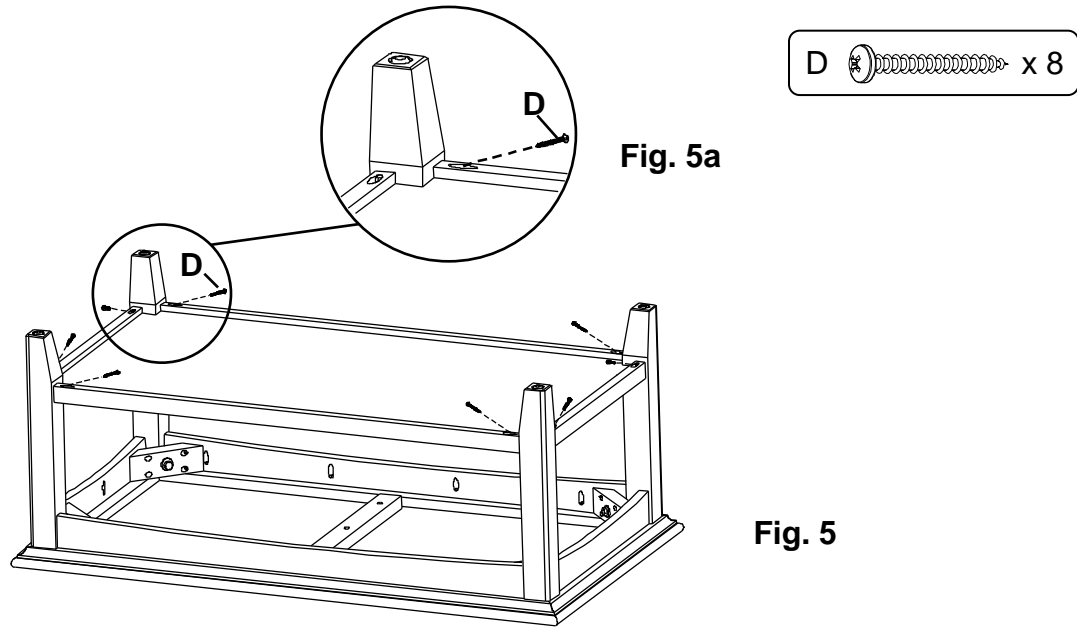
4. Attach the legs to the Top Assembly with 5/16" Flat Washers (E) and 3/8" x 2-1/2" Hex Bolts (F) See Figures 4 and 4a.



3499AFGAC; 3499AFCAF McKenzie Cocktail Table

Assembly Instructions

5. Turn the unit onto its top and using the pocket holes as guides, secure the Shelf Assembly (C) to the Legs (B) with eight #8 x 1-1/4" Pan Head Screws (D). See Figures 5 and 5a.



6. Turn the table upright and place at its final destination. To level the table, rotate the Adjustable Glides (J) found on the bottoms of the legs. See Figures 6.

