



RANCH® KETTLE ADDENDUM SHEET

Please note the following changes to your assembly manual.

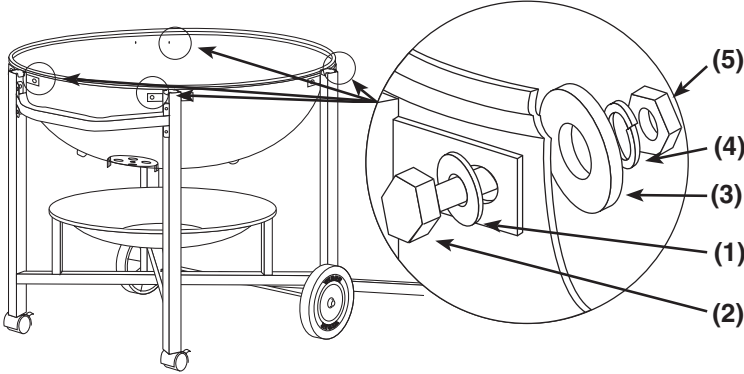
ASSEMBLY

8

6 INSTALL BOWL ASSEMBLY

You will need: Bowl assembly, four 5/16-18 x 7/8 inch bolts, four 5/16 inch steel washers, four 5/8 inch aluminum washers, four 5/16-18 hex nuts, four 5/16 inch lock washers, 1/2 inch open-end or an adjustable wrench and pliers.

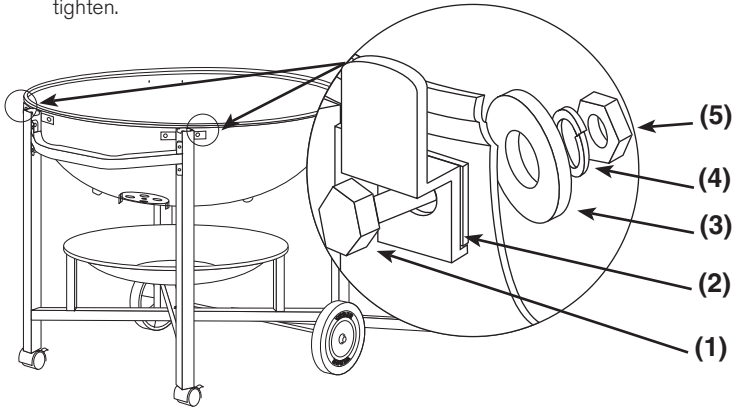
Set bowl in frame. Place a steel washer (1) on bolt (2) and insert through frame assembly and bowl. Place aluminum washer (3), lock washer (4) and hex nut (5) on bolt and tighten. Install the other bolts in locations shown.



7 INSTALL LID TABS

You will need: Two lid tabs, two 5/16-18 x 7/8 inch bolts, two 5/8 inch aluminum washers, two 5/16-18 hex nuts, two 5/16 inch lock washers, 1/2 inch open-end or an adjustable wrench and pliers.

Insert bolt (1) through lid tab (2), frame assembly and bowl on outside of caster legs. Place aluminum washer (3), lock washer (4), then hex nut (5) on bolt and tighten.



PARTS

9

Wire lid holder assembly



HARDWARE - STEP 8

9

Two 5/8 inch aluminum washers (actual size)



Two 5/16" lock washers



Two Lid Bushings



Two 5/16" Steel washers



Four 5/16 -18 hex nuts



ASSEMBLY

9

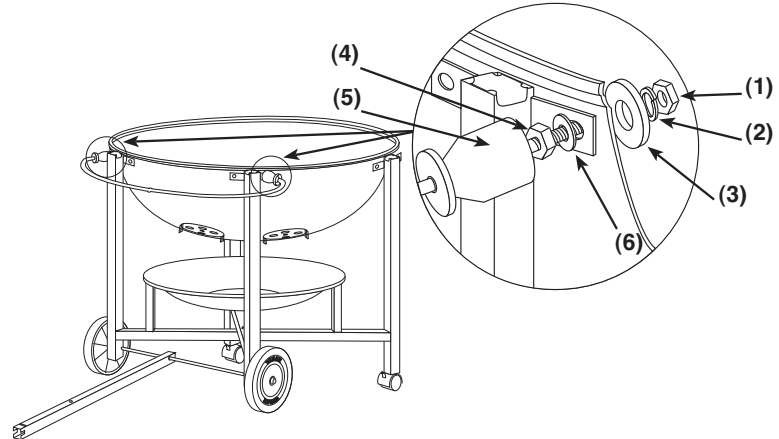
8 INSTALL WIRE LID HOLDER ASSEMBLY

You will need: Wire lid holder assembly and a 1/2 inch open-end or an adjustable wrench.

Place lid bushing (5), 5/16 -18 hex nut (4) and 5/16" steel washer (6) onto each end of wire lid holder.

Note - Bushings (5) should roll freely on wire lid holder.

Insert ends of wire lid holder through frame assembly and bowl on outside of wheel legs. Place 5/8 inch aluminum washer (3), 5/16 inch lock washer (2) then 5/16-18 hex nut (1) on each end of the wire lid holder and tighten.



WARRANTY

11

US

Weber-Stephen Products Co., (Weber) hereby warrants to the ORIGINAL PURCHASER of this Weber® One-Touch® Silver, One-Touch® Gold, One-Touch® Platinum, Smokey Mountain Cooker®, and Ranch® grills, that it will be free from defects in material and workmanship from the date of purchase as follows:

Cooking / Charcoal grates	2 years
Stainless Steel One-Touch® Cleaning System (One-Touch® Platinum)	10 years
Bowl and lid against rust / burn-through	10 years
Nylon handles	10 years
Thermoplastic/Thermoset Parts(One-Touch® Platinum)	10 years
excluding fading	
All remaining parts	2 years

When assembled and operated in accordance with the printed instructions accompanying it. Weber may require reasonable proof of your date of purchase. THEREFORE, YOU SHOULD RETAIN YOUR SALES SLIP OR INVOICE AND RETURN THE WEBER LIMITED WARRANTY REGISTRATION CARD IMMEDIATELY.

This Limited Warranty shall be limited to the repair or replacement of parts which prove defective under normal use and service and which on examination shall indicate to Weber's satisfaction they are defective. If Weber confirms the defect and approves the claim, Weber will elect to repair or replace such parts without charge. If you are required to return defective parts, transportation charges must be prepaid. Weber will return parts to the purchaser, carriage or postage prepaid.

This Limited Warranty does not cover any failures or operating difficulties due to accident, abuse, misuse, alteration, misapplication, vandalism, improper installation or improper maintenance or service, or failure to perform normal and routine maintenance. Deterioration or damage due to severe weather conditions such as hail, hurricanes, earthquakes or tornadoes, discoloration due to exposure to chemicals, either directly or in the atmosphere, is not covered by this Limited Warranty.

There are no other express warranties except as set forth herein, and any applicable implied warranties of merchantability and fitness are limited in duration to the period of coverage of this express written Limited Warranty. Some regions do not allow limitation on how long an implied warranty lasts, so this limitation may not apply to you.

Weber is not liable for any special, indirect or consequential damages. Some regions do not allow the exclusion or limitation of incidental or consequential damages, so this limitation or exclusion may not apply to you. Weber does not authorize any person or company to assume for it any other obligation or liability in connection with the sale, installation, use, removal, return or replacement of its equipment; and no such representations are binding on Weber.

90648 010908

All items are single quantities unless otherwise specified. Parts can be ordered from Weber-Stephen Products Co. by phone or mail.

Note - Do not return parts to Weber-Stephen Products Co. without first contacting the Customer Service Center by phone or mail. Returning the part may not be necessary.

1. #8-16 x 5/8 inch screw
2. Nylon lid handle (top)
3. Nylon lid handle (bottom)
4. 1/4-20 x 5/8 inch screws (4)
5. 1/4 inch flat washers (5)
6. Lid damper
7. 1/4-20 acorn nuts (4)
8. Lid
9. Hinged cooking grate
10. Charcoal grate
11. Wire lid support
12. 5/16 inch steel washers (6)
13. 5/16-18 hex nuts (8)
14. Bushings (2)
15. 5/8 inch aluminum washers (16)
16. 5/16 inch lock washers (8)
17. Bowl
18. Bowl dampers (3)
19. 1/4-20 hex nuts (6)
20. Nylon washers (12)
21. 1/4-20 x 1 3/4 inch bolts (5)
22. Frame handle
23. Tool holders (3)
24. Aluminum tubing plugs (4)
25. 5/16-18 x 7/8 inch bolts (6)
26. Ash catcher
27. Top frame
28. 1/4-20 x 3 inch bolt
29. Lid tabs (2)
30. Plastic tubing plug
31. Tuck-Away support bracket
32. Tuck-Away frame support
33. Bottom frame
34. Caster inserts (2)
35. Casters (2)
36. Axle
37. Wheels (2)
38. Wheel hubcaps (2)

