

SUMMIT[®]

GRILL CENTER



GAS GRILL

LP Gas Grill Owner's Guide

ESNA Guía del Propietario de la Barbacoa de Gas Propano Licuado - Pg. 47

FC Mode d'emploi du Grill à gaz PL - Pg. 85

SUMMIT[®] GRILL CENTER

#56567



YOU MUST READ THIS OWNER'S GUIDE BEFORE OPERATING YOUR GAS GRILL.

⚠ DANGER

If you smell gas:

1. Shut off gas to the appliance.
2. Extinguish any open flames.
3. Open lid.
4. If odor continues, keep away from the appliance and immediately call your gas supplier or your fire department.

Leaking gas may cause a fire or explosion which can cause serious bodily injury, death, or damage to property.

⚠ WARNING:

1. Do not store or use gasoline or other flammable liquids or vapors in the vicinity of this or any other appliance.
2. An LP cylinder not connected for use shall not be stored in the vicinity of this or any other appliance.

⚠ WARNING: Follow all leak-check procedures carefully in this manual prior to barbecue operation. Do this even if the barbecue was dealer-assembled.

NOTICE TO INSTALLER: These instructions must be left with the owner and the owner should keep them for future use.

THIS GAS APPLIANCE IS DESIGNED FOR OUTDOOR USE ONLY.

⚠ WARNING: Do not ignite this appliance without first reading the **BURNER IGNITION** sections of this manual.



56567 09/01/11 LP
US - ENGLISH

WARNINGS

⚠ DANGER

Failure to follow the Dangers, Warnings and Cautions contained in this Owner's Manual may result in serious bodily injury or death, or in a fire or an explosion causing damage to property.

⚠ WARNINGS

- ⚠ Do not store a spare or disconnected liquid propane cylinder under or near this barbecue.
- ⚠ Improper assembly may be dangerous. Please follow the assembly instructions carefully.
- ⚠ After a period of storage, and/or nonuse, the Weber® gas barbecue should be checked for gas leaks and burner obstructions before use. See instructions in this manual for correct procedures.
- ⚠ Do not operate the Weber® gas barbecue if there is a gas leak present.
- ⚠ Do not use a flame to check for gas leaks.
- ⚠ Combustible materials should never be within 24 inches (61 cm) of the back or sides of your Weber® gas barbecue.
- ⚠ Do not put a barbecue cover or anything flammable on, or in the storage area under the barbecue.
- ⚠ Your Weber® gas barbecue should never be used by children. Accessible parts of the barbecue may be very hot. Keep young children away while it is in use.
- ⚠ You should exercise reasonable care when operating your Weber® gas barbecue. It will be hot during cooking or cleaning and should never be left unattended, or moved while in operation.
- ⚠ Should the burners go out while in operation, turn all gas valves off. Open the lid and wait five minutes before attempting to relight, using the igniting instructions.
- ⚠ Do not use charcoal or lava rock in your Weber® gas barbecue.
- ⚠ Never lean over open grill or place hands or fingers on the front edge of the cookbox.
- ⚠ Should a grease fire occur, turn off all burners and leave lid closed until fire is out.
- ⚠ Do not enlarge valve orifices or burner ports when cleaning the valves or burners.
- ⚠ The Weber® gas barbecue should be thoroughly cleaned on a regular basis.
- ⚠ Liquid propane gas is not natural gas. The conversion or attempted use of natural gas in a liquid propane unit or liquid propane gas in a natural gas unit is dangerous and will void your warranty.
- ⚠ Do not attempt to disconnect any gas fitting while your barbecue is in operation.
- ⚠ Use heat-resistant barbecue mitts or gloves when operating barbecue.
- ⚠ Keep any electrical supply cord and the fuel supply hose away from any heated surfaces.
- ⚠ Combustion byproducts produced when using this product contain chemicals known to the state of California to cause cancer, birth defects, or other reproductive harm.
- ⚠ Do not use this barbecue unless all parts are in place. The unit must be properly assembled according to the assembly instructions.
- ⚠ Do not build this model of grill in any built-in or slide-in construction. Ignoring this Warning could cause a fire or an explosion that can damage property and cause serious bodily injury or death.
- ⚠ Proposition 65 Warning: Handling the brass material on this product exposes you to lead, a chemical known to the state of California to cause cancer, birth defects or other reproductive harm.
(Wash hands after handling this product.) ♦

LIQUID PROPANE GAS UNITS ONLY:

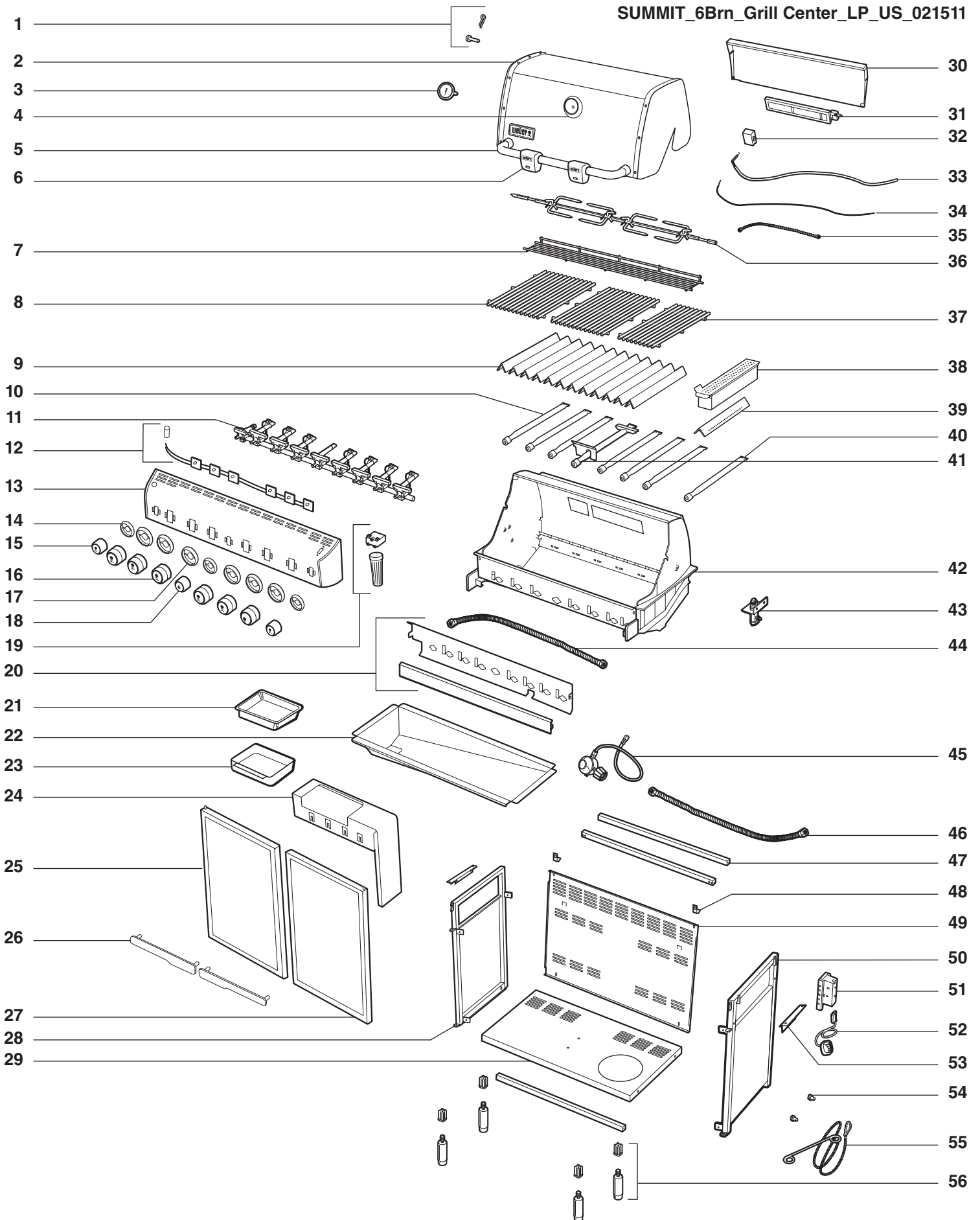
- ⚠ Use the pressure regulator and hose assembly that is supplied with your Weber® gas barbecue.
- ⚠ Do not attempt to disconnect the gas regulator and hose assembly or any gas fitting while your barbecue is in operation.
- ⚠ A dented or rusty liquid propane cylinder may be hazardous and should be checked by your liquid propane supplier. Do not use a liquid propane cylinder with a damaged valve.
- ⚠ Although your liquid propane cylinder may appear to be empty, gas may still be present, and the cylinder should be transported and stored accordingly.
- ⚠ If you see, smell or hear the hiss of escaping gas from the liquid propane cylinder:
 1. Move away from liquid propane cylinder.
 2. Do not attempt to correct the problem yourself.
 3. Call your fire department. ♦

TABLE OF CONTENTS

WARNINGS	2	SEAR STATION® IGNITION & USAGE	31
TABLE OF CONTENTS	3	SEAR STATION® BURNER IGNITION	31
EXPLODED VIEW	4	TO EXTINGUISH	31
WARRANTY	14	SEAR STATION® BURNER MANUAL IGNITION	32
GENERAL INSTRUCTIONS	14	TO EXTINGUISH	32
FOR INSTALLATION IN CANADA	14	USING THE SEAR STATION®	32
OPERATING	14	SMOKER BURNER IGNITION & USAGE	33
STORAGE AND/OR NONUSE	14	SMOKER BURNER IGNITION	33
GAS INSTRUCTIONS	15	TO EXTINGUISH	33
SAFE HANDLING TIPS FOR LIQUID PROPANE GAS CYLINDERS	15	SMOKER BURNER MANUAL IGNITION	34
IMPORTANT LP CYLINDER INFORMATION	16	TO EXTINGUISH	34
LEAK CHECK PREPARATION	16	USING THE SMOKER	35
CHECK FOR GAS LEAKS	19	CLEANING THE SMOKER	35
REFILLING THE LIQUID PROPANE CYLINDER	21	ROTISSERIE BURNER IGNITION & USAGE	36
LIGHT FEATURES	21	ROTISSERIE BURNER IGNITION	36
WEBER® GRILL OUT™ HANDLE LIGHT	21	TO EXTINGUISH	36
LIGHTED CONTROL KNOBS	21	ROTISSERIE BURNER MANUAL IGNITION	37
BEFORE USING THE GRILL	22	TO EXTINGUISH	37
FUEL LEVEL	22	IMPORTANT SAFEGUARDS	38
SLIDE-OUT GREASE TRAY AND DISPOSABLE DRIP PAN	22	OPERATING THE ROTISSERIE	38
HOSE INSPECTION	22	ROTISSERIE COOKING	39
SNAP IGNITION OPERATION	23	ROTISSERIE MOTOR STORAGE	39
MAIN BURNER IGNITION & USAGE	24	ROTISSERIE SPIT STORAGE	39
MAIN BURNER IGNITION	24	TROUBLESHOOTING	40
TO EXTINGUISH	24	SIDE BURNER TROUBLESHOOTING	40
MAIN BURNER MANUAL IGNITION	25	SEAR STATION® TROUBLESHOOTING	41
TO EXTINGUISH	25	ROTISSERIE TROUBLESHOOTING	41
GRILLING TIPS & HELPFUL HINTS	26	GRILL OUT™ HANDLE LIGHT TROUBLESHOOTING	41
PREHEATING	26	MAINTENANCE	42
COVERED COOKING	26	CLEANING	42
DRIPPINGS AND GREASE	26	WEBER® SPIDER/INSECT SCREENS	42
FLAVORIZER® SYSTEM	26	BURNER TUBE CLEANING	42
SEAR STATION®	26	REPLACING MAIN BURNERS	43
COOKING METHODS	27	SIDE BURNER MAINTENANCE	45
DIRECT COOKING	27	ANNUAL MAINTENANCE	46
INDIRECT COOKING	27	SIDE BURNER IGNITION & USAGE	28
SIDE BURNER IGNITION & USAGE	28	SIDE BURNER IGNITION	28
SIDE BURNER IGNITION	28	TO EXTINGUISH	28
TO EXTINGUISH	28	SIDE BURNER MANUAL IGNITION	29
SIDE BURNER MANUAL IGNITION	29	TO EXTINGUISH	29
TO EXTINGUISH	29	SIDE BURNER USAGE	30
SIDE BURNER USAGE	30		

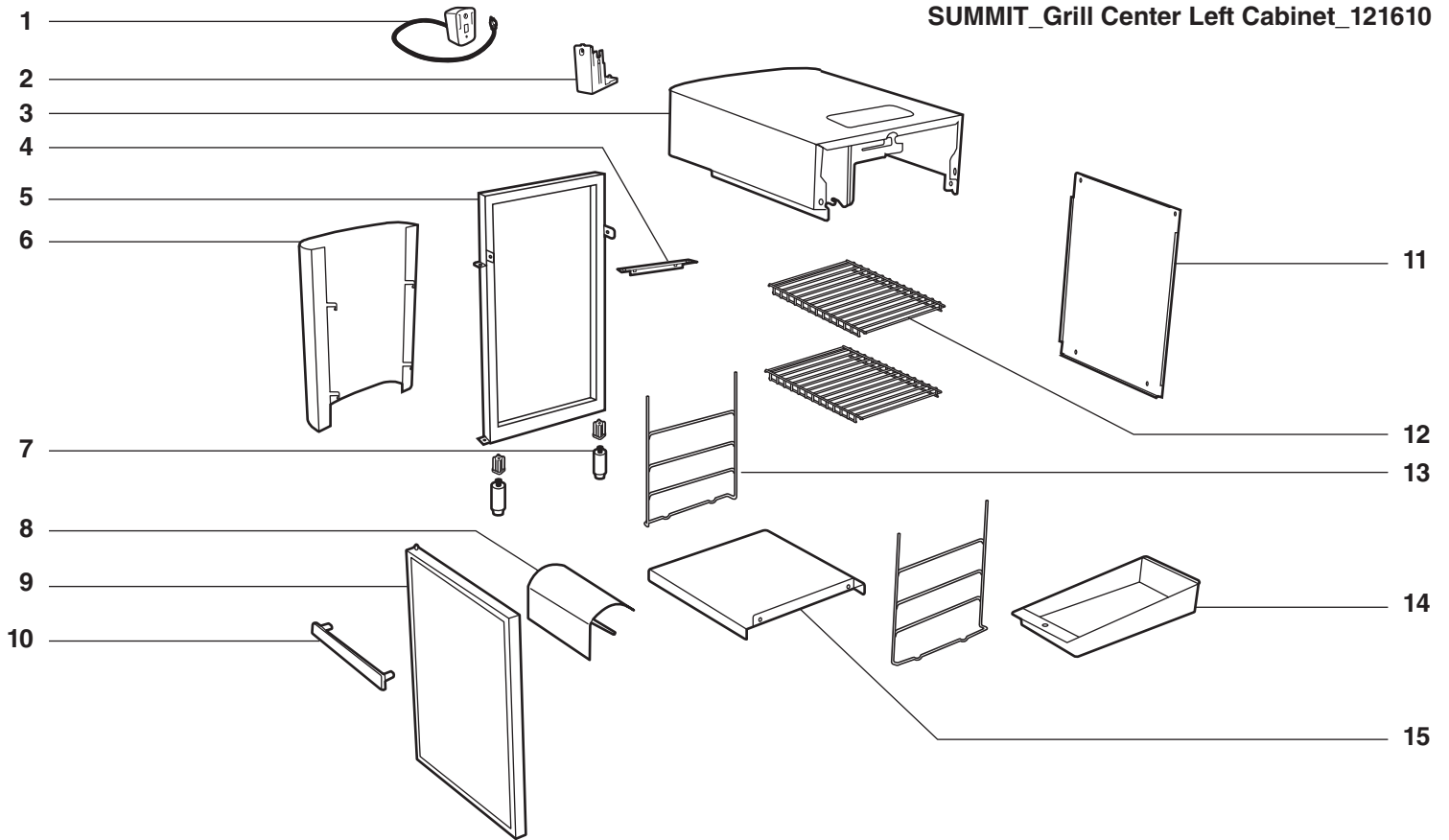
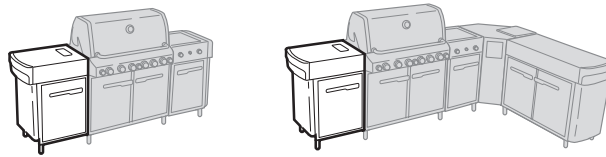
EXPLODED VIEW • DIAGRAMA DE DESPIECE • VUE ECLATEE

SUMMIT_6Brn_Grill Center_LP_US_021511



1. **Shroud Hardware**
Accesorios de la cubierta
Quincaillerie de l'étui
2. **Shroud**
Cubierta
Etui
3. **Thermometer**
Termómetro
Thermomètre
4. **Thermometer Bezel**
Moldura decorativa del termómetro
Bec du thermomètre
5. **Handle**
Asa
Poignée
6. **Grill Out™ Handle Light**
Lámpara de asa GrillOut™
Eclairage de poignée Grill Out™
7. **Warming Rack**
Rejilla para calentar
Grille de maintien au chaud
8. **Cooking Grate**
Parrilla de cocción
Grille de cuisson
9. **Flavorizer® Bar**
Barra Flavorizer®
Barre Flavorizer®
10. **Burner Tube**
Tubo del quemador
Tube du brûleur
11. **Manifold**
Múltiple
Collecteur
12. **Control Panel Wiring Harness**
Cableado prefabricado del panel de control
Harnais de câblage du panneau de commandes
13. **Control Panel**
Tablero de control
Panneau de commandes
14. **Small Knob Bezel**
Moldura decorativa de la perilla pequeña
Bec du petit bouton
15. **Small Knob**
Perilla pequeña
Petit bouton
16. **Large Knob**
Perilla grande
Grand bouton
17. **Large Knob Bezel**
Moldura decorativa de la perilla grande
Bec du grand bouton
18. **Sear Station® Knob**
Perilla de la estación de dorado Sear Station®
Bouton Sear Station®
19. **Battery Housing**
Compartimiento de las baterías
Logement des piles
20. **Water Baffle / Heat Shield**
Reflector de agua / Pantalla térmica
Baffle à eau / Protection anti-chaueur
21. **Disposable Drip Pan**
Bandeja de goteo desechable
Egouttoir jetable
22. **Slide-Out Grease Tray**
Bandeja deslizante de grasa
Plateau amovible pour la récupération des graisses
23. **Catch Pan**
Plato recolector
Egouttoir
24. **Catch Pan Holder**
Soporte del plato recolector
Support pour égouttoir
25. **Left Door**
Puerta izquierda
Porte de gauche
26. **Door Handle**
Asa de la puerta
Poignée de porte
27. **Right Door**
Puerta derecha
Porte de droite
28. **Left Frame Panel**
Panel izquierdo del bastidor
Panneau du cadre de gauche
29. **Bottom Panel**
Panel inferior
Panneau inférieur
30. **IR Burner Cover**
Tapa del quemador infrarrojo
Cache du brûleur IR
31. **Infrared Burner**
Quemador infrarrojo
Brûleur infrarouge
32. **IR Burner Box**
Caja del quemador infrarrojo
Boîtier du brûleur IR
33. **IR Burner Igniter Wire**
Cable de encendido del quemador infrarrojo
Câble de l'allumeur du brûleur IR
34. **Thermocouple**
Termopar
Thermocouple
35. **IR Burner Hose**
Manguera del quemador infrarrojo
Tuyau du brûleur IR
36. **Rotisserie Spit Assembly**
Ensamble del espetón del asador giratorio
Assemblage de la broche de la rôtissoire
37. **Cooking Grate**
Parrilla de cocción
Grille de cuisson
38. **Smoker Box**
Caja del ahumador
Boîtier du fumoir
39. **Smoker Bar**
Barra del ahumador
Barre du fumoir
40. **Smoker Burner Tube**
Tubo quemador del ahumador
Tube du brûleur du fumoir
41. **Sear Station® Burner**
Quemador de la estación de dorado Sear Station®
Brûleur de la Sear Station®
42. **Cookbox**
Caja de cocción
Boîtier de cuisson
43. **Bulkhead**
Tabique divisorio
Tête du brûleur
44. **Manifold Hose**
Manguera del múltiple
Tuyau du collecteur
45. **Hose / Regulator**
Manguera / Regulador
Tuyau / Régulateur
46. **Side Burner Hose**
Manguera del quemador lateral
Tuyau du brûleur latéral
47. **Frame Support**
Soporte del bastidor
Support du cadre
48. **Rotisserie Spit Storage Bracket**
Soporte de almacenaje del espetón del asador giratorio
Support du rangement de la broche de la rôtissoire
49. **Back Panel**
Panel posterior
Panneau arrière
50. **Right Frame Panel**
Panel derecho del bastidor
Panneau du cadre de droite
51. **Tank Scale**
Báscula del tanque
Graduation de la bouteille
52. **LED Tank Scale Assembly**
Ensamble de la báscula LED del tanque
Assemblage LED de la graduation de la bouteille
53. **Shelf Bracket**
Soporte del estante
Support pour étagère
54. **Tank Glide**
Deslizadera del tanque
Glissière de la bouteille
55. **Matchstick Holder**
Portacerillos
Support pour allumette
56. **Adjustable Leg**
Pata ajustable
Pied ajustable

EXPLODED VIEW • DIAGRAMA DE DESPIECE • VUE ECLATEE

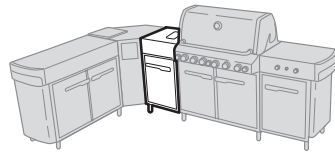


1. **Rotisserie Motor**
Motor del asador
Moteur de la rôtissoire
2. **Rotisserie Bracket**
Soporte del asador giratorio
Support de la rôtissoire
3. **Table**
Mesa
Tablette
4. **Shelf Bracket**
Soporte del estante
Support pour étagère
5. **Left Frame**
Bastidor izquierdo
Cadre de gauche

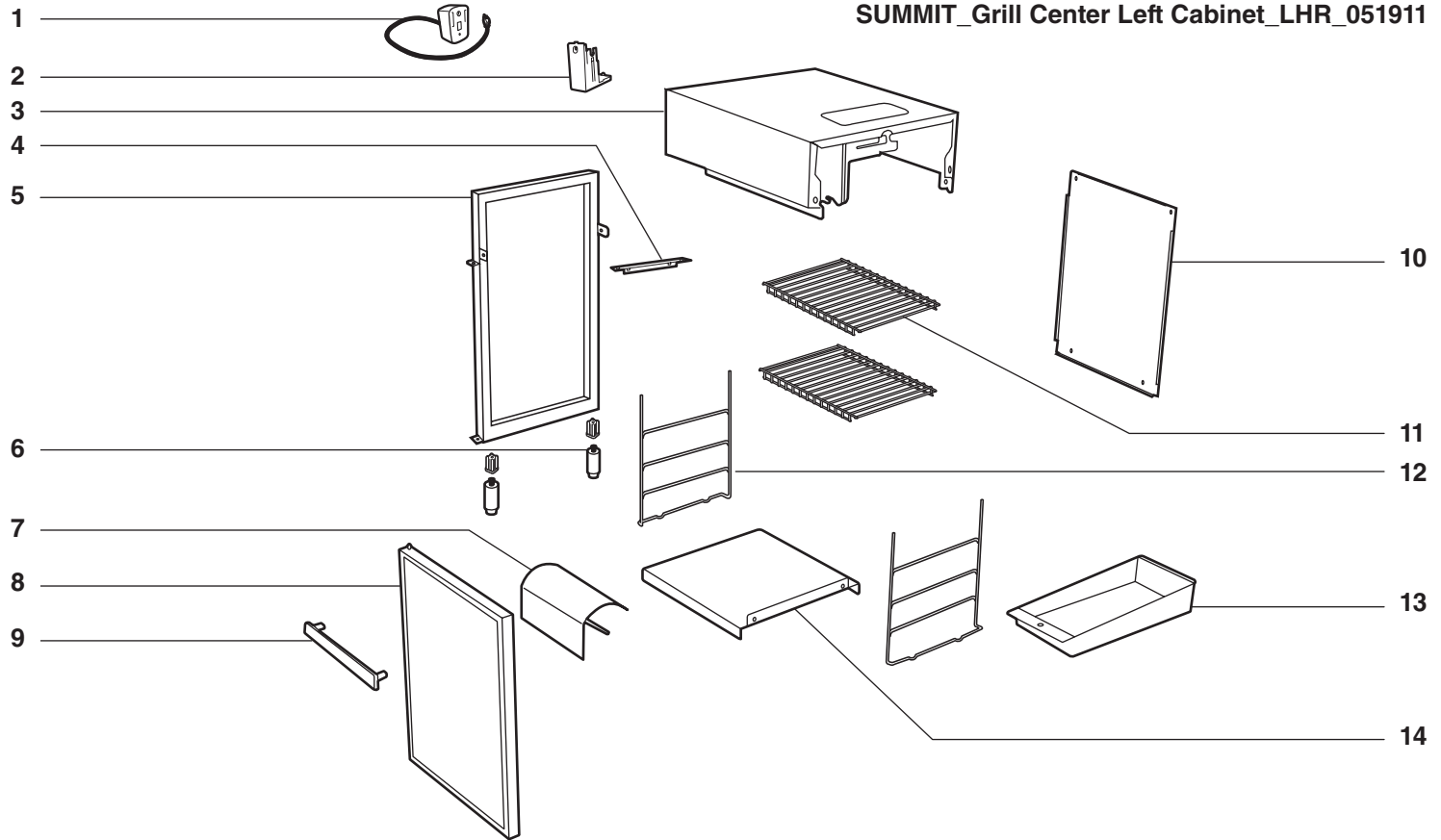
6. **Left End Skirt**
Faldón del extremo izquierdo
Jupe d'extrémité gauche
7. **Adjustable Leg**
Pata ajustable
Pied ajustable
8. **Paper Towel Holder**
Portatoallas de papel
Support pour serviette en papier
9. **Door**
Puerta
Porte
10. **Door Handle**
Asa de la puerta
Poignée de porte

11. **Back Panel**
Panel posterior
Panneau arrière
12. **Wire Shelf**
Estante de alambre
Étagère métallique
13. **Shelf Frame**
Bastidor del estante
Cadre de l'étagère
14. **Water Deflector**
Deflector de agua
Déflecteur à eau
15. **Bottom Panel**
Panel inferior
Panneau inférieur

EXPLODED VIEW • DIAGRAMA DE DESPIECE • VUE ECLATEE

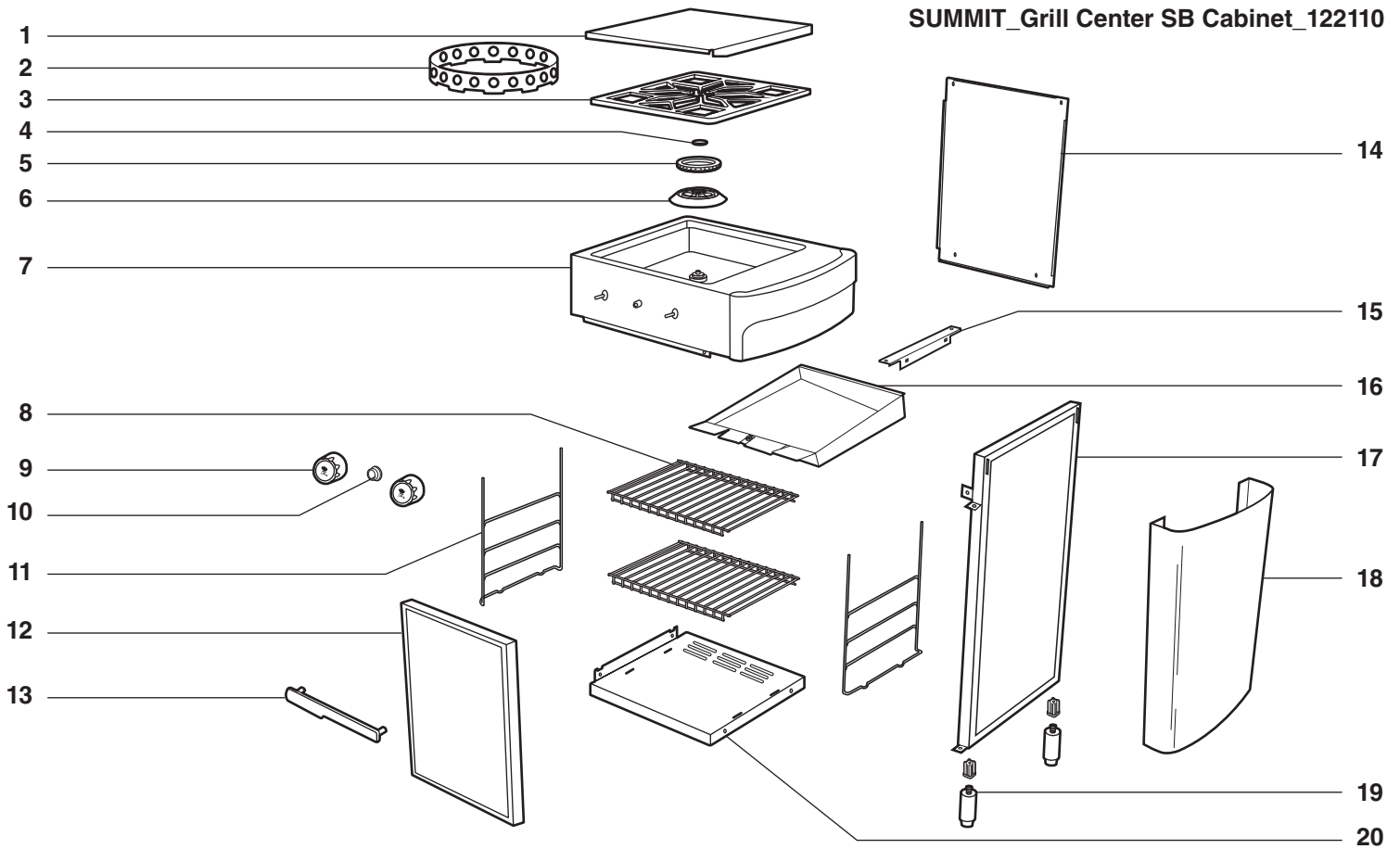
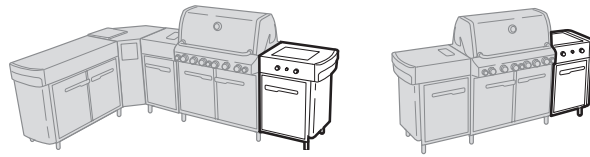


SUMMIT_Grill Center Left Cabinet_LHR_051911



- | | | |
|---|--|---|
| <p>1. Rotisserie Motor
Motor del asador
Moteur de la rôtissoire</p> | <p>6. Adjustable Leg
Pata ajustable
Pied ajustable</p> | <p>11. Wire Shelf
Estante de alambre
Étagère métallique</p> |
| <p>2. Rotisserie Bracket
Soporte del asador giratorio
Support de la rôtissoire</p> | <p>7. Paper Towel Holder
Portatoallas de papel
Support pour serviette en papier</p> | <p>12. Shelf Frame
Bastidor del estante
Cadre de l'étagère</p> |
| <p>3. Table
Mesa
Tablette</p> | <p>8. Door
Puerta
Porte</p> | <p>13. Water Deflector
Deflector de agua
Déflecteur à eau</p> |
| <p>4. Shelf Bracket
Soporte del estante
Support pour étagère</p> | <p>9. Door Handle
Asa de la puerta
Poignée de porte</p> | <p>14. Bottom Panel
Panel inferior
Panneau inférieur</p> |
| <p>5. Left Frame
Bastidor izquierdo
Cadre de gauche</p> | <p>10. Back Panel
Panel posterior
Panneau arrière</p> | |

EXPLODED VIEW • DIAGRAMA DE DESPIECE • VUE ECLATEE



1. Side Burner Lid
Tapa del quemador lateral
Couvercle du brûleur latéral

2. Wok Ring
Aro para wok
Bague pour wok

3. Side Burner Grate
Rejilla del quemador lateral
Grille du brûleur latéral

4. Side Burner Inner Ring 1
Aro interno 1 del quemador lateral
Bague interne du brûleur latéral 1

5. Side Burner Outer Ring 2
Aro interno 2 del quemador lateral
Bague externe du brûleur latéral 2

6. Side Burner Head
Cabezal del quemador lateral
Tête du brûleur latéral

7. Side Burner
Quemador lateral
Brûleur latéral

8. Wire Shelf
Estante de alambre
Étagère métallique

9. Control Knob
Perilla de control
Bouton de commande

10. Igniter
Encendedor
Allumeur

11. Shelf Frame
Bastidor del estante
Cadre de l'étagère

12. Door
Puerta
Porte

13. Door Handle
Asa de la puerta
Poignée de porte

14. Back Panel
Panel posterior
Panneau arrière

15. Shelf Bracket
Soporte del estante
Support pour étagère

16. Water Deflector
Deflector de agua
Déflecteur à eau

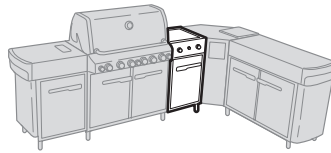
17. Right Frame
Bastidor derecho
Cadre de droite

18. Right Frame Skirt
Faldón del bastidor derecho
Jupe du cadre de droite

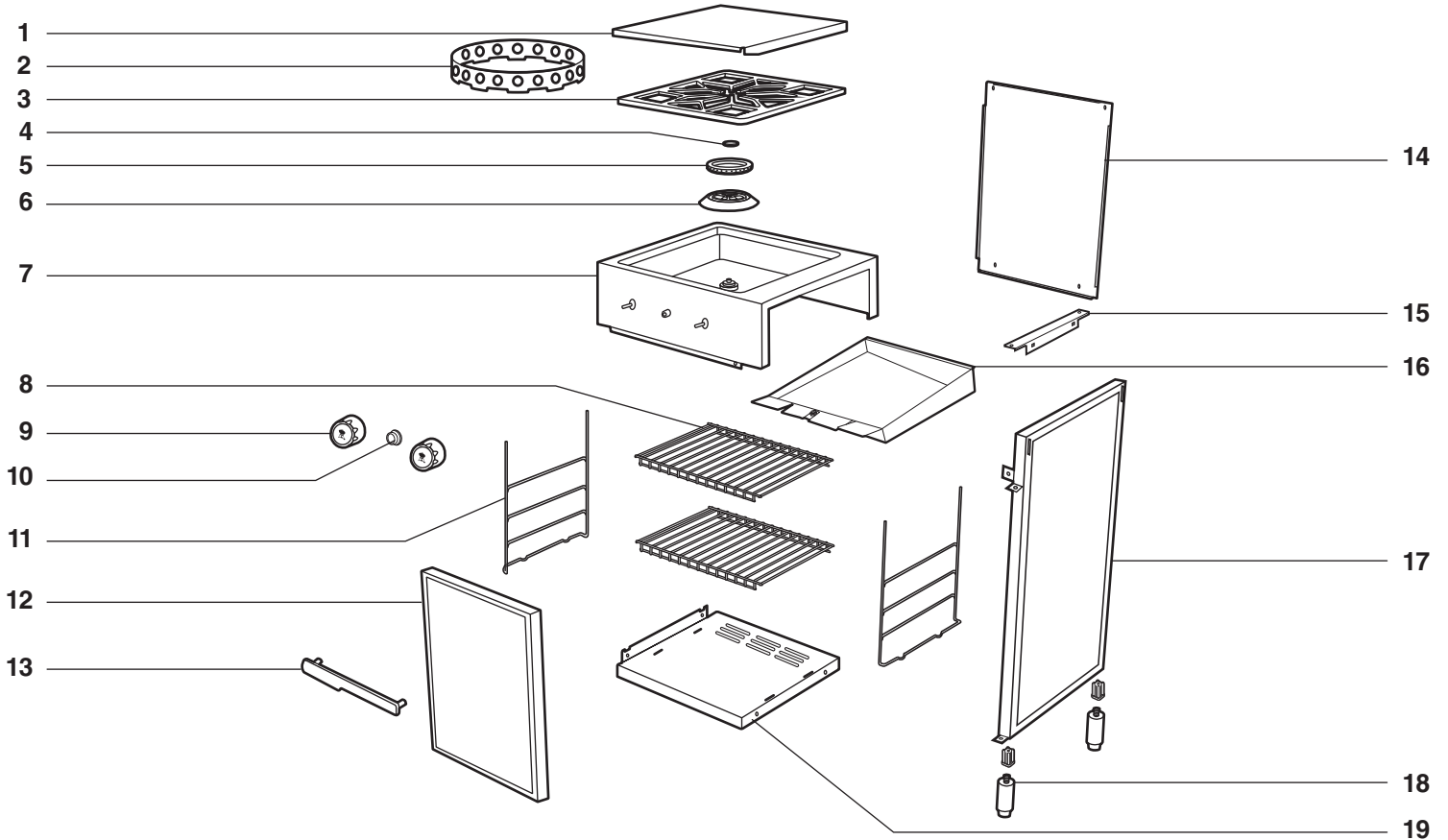
19. Adjustable Leg
Pata ajustable
Pied ajustable

20. Bottom Panel
Panel inferior
Panneau inférieur

EXPLODED VIEW • DIAGRAMA DE DESPIECE • VUE ECLATEE



SUMMIT_Grill Center_Social_SB Cabinet_122110



1. Side Burner Lid
Tapa del quemador lateral
Couvercle du brûleur latéral

2. Wok Ring
Aro para wok
Bague pour wok

3. Side Burner Grate
Rejilla del quemador lateral
Grille du brûleur latéral

4. Side Burner Inner Ring 1
Aro interno 1 del quemador lateral
Bague interne du brûleur latéral 1

5. Side Burner Outer Ring 2
Aro interno 2 del quemador lateral
Bague externe du brûleur latéral 2

6. Side Burner Head
Cabezal del quemador lateral
Tête du brûleur latéral

7. Side Burner
Quemador lateral
Brûleur latéral

8. Side Burner Shelf
Estante del quemador lateral
Étagère du brûleur latéral

9. Control Knob
Perilla de control
Bouton de commande

10. Igniter
Encendedor
Allumeur

11. Shelf Frame
Bastidor del estante
Cadre de l'étagère

12. Door
Puerta
Porte

13. Door Handle
Asa de la puerta
Poignée de la porte

14. Back Panel
Panel posterior
Panneau arrière

15. Shelf Bracket
Soporte del estante
Support pour étagère

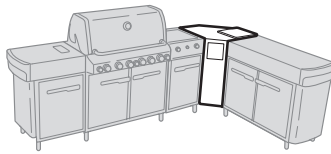
16. Water Deflector
Deflector de agua
Déflecteur à eau

17. Right Frame
Bastidor derecho
Cadre de droite

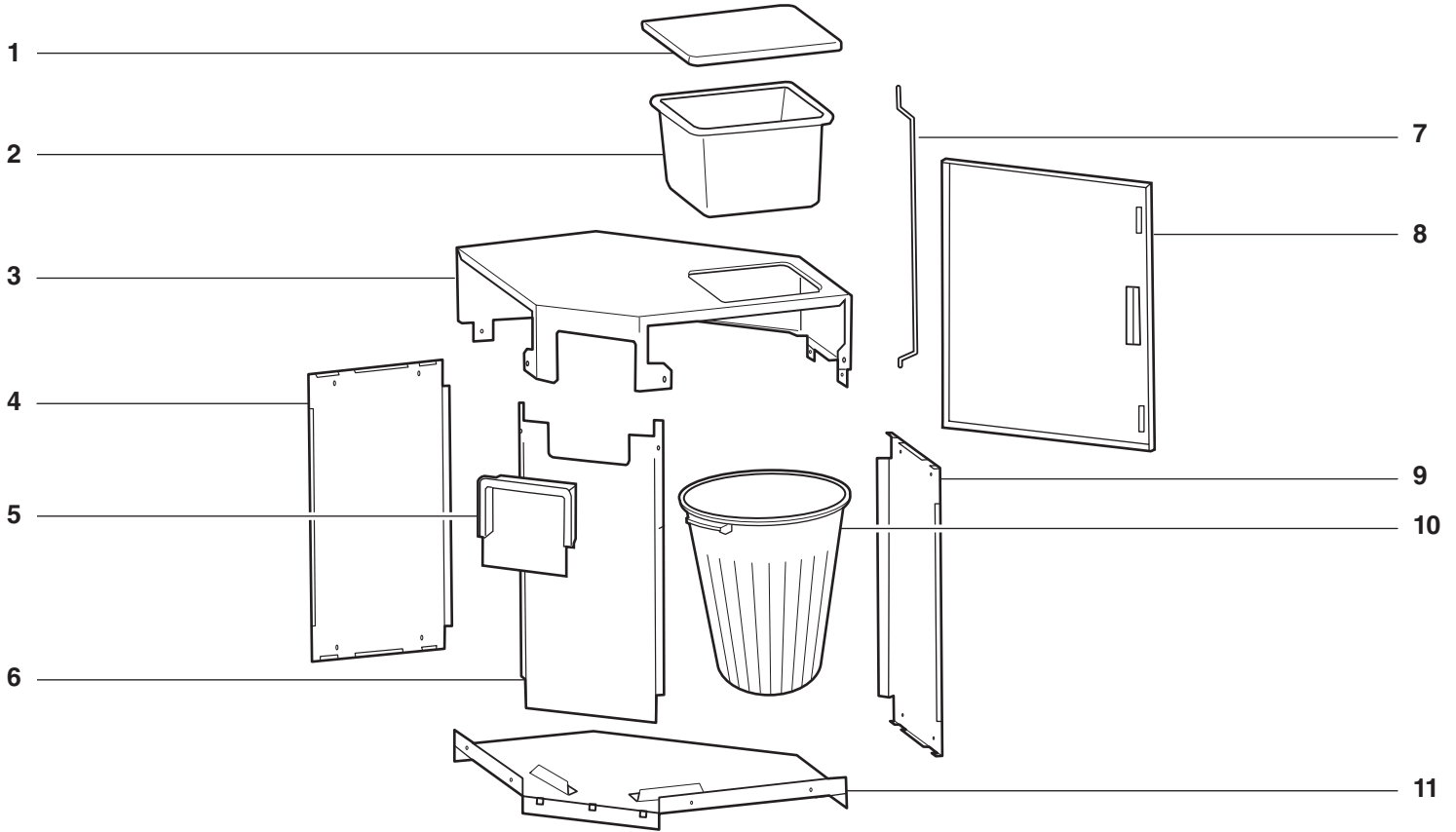
18. Adjustable Leg
Pata ajustable
Pied ajustable

19. Bottom Panel
Panel inferior
Panneau inférieur

EXPLODED VIEW • DIAGRAMA DE DESPIECE • VUE ECLATEE



SUMMIT_Grill Center Middle Cabinet_121610



1. Cooler Lid
Tapa del enfriador
Couvercle du refroidisseur

2. Cooler
Enfriador
Refroidisseur

3. Corner Cabinet Top Panel
Panel superior del gabinete de esquina
Panneau supérieur du meuble de coin

4. Left Back Panel
Panel izquierdo posterior
Panneau arrière gauche

5. Door Assembly
Ensamble de la puerta
Assemblage de la porte

6. Front Panel
Panel frontal
Panneau avant

7. Door Hinge Rod
Varilla de la bisagra de la puerta
Tige du gond de la porte

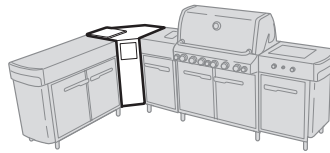
8. Door
Puerta
Porte

9. Right Back Panel
Panel derecho posterior
Panneau arrière droit

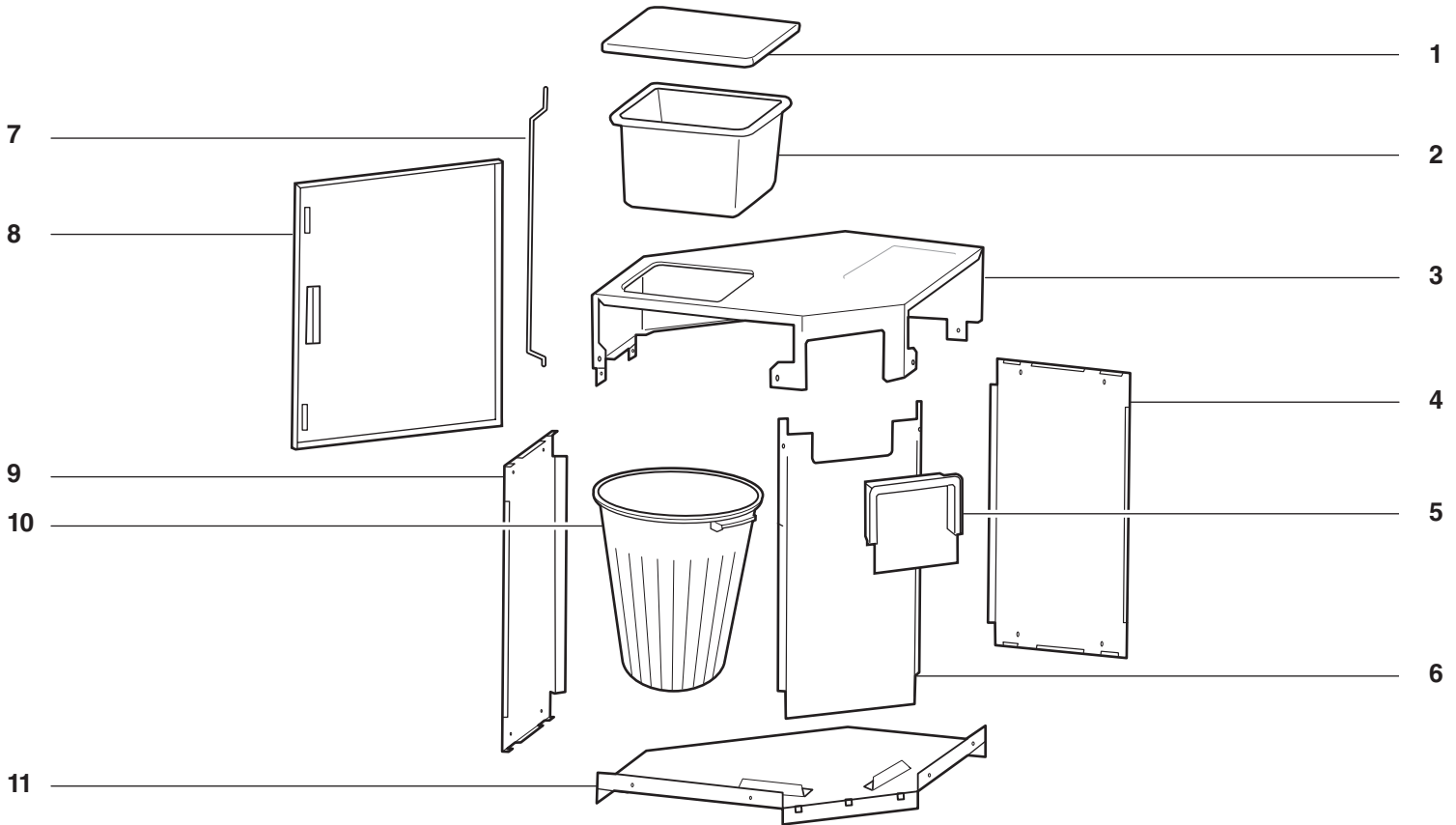
10. Trash Can
Bote de basura
Corbeille

11. Bottom Panel
Panel inferior
Panneau inférieur

EXPLODED VIEW • DIAGRAMA DE DESPIECE • VUE ECLATEE



SUMMIT_Grill Center Middle Cabinet2_121610



1. Cooler Lid
Tapa del enfriador
Couvercle du refroidisseur

2. Cooler
Enfriador
Refridisseur

3. Corner Cabinet Top Panel
Panel superior del gabinete de esquina
Panneau supérieur du meuble de coin

4. Right Back Panel
Panel derecho posterior
Panneau arrière droit

5. Door Assembly
Ensamble de la puerta
Assemblage de la porte

6. Front Panel
Panel frontal
Panneau avant

7. Door Hinge Rod
Varilla de la bisagra de la puerta
Tige du gond de la porte

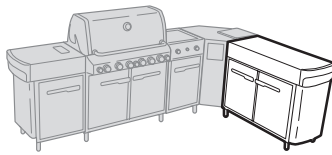
8. Door
Puerta
Porte

9. Left Back Panel
Panel izquierdo posterior
Panneau arrière gauche

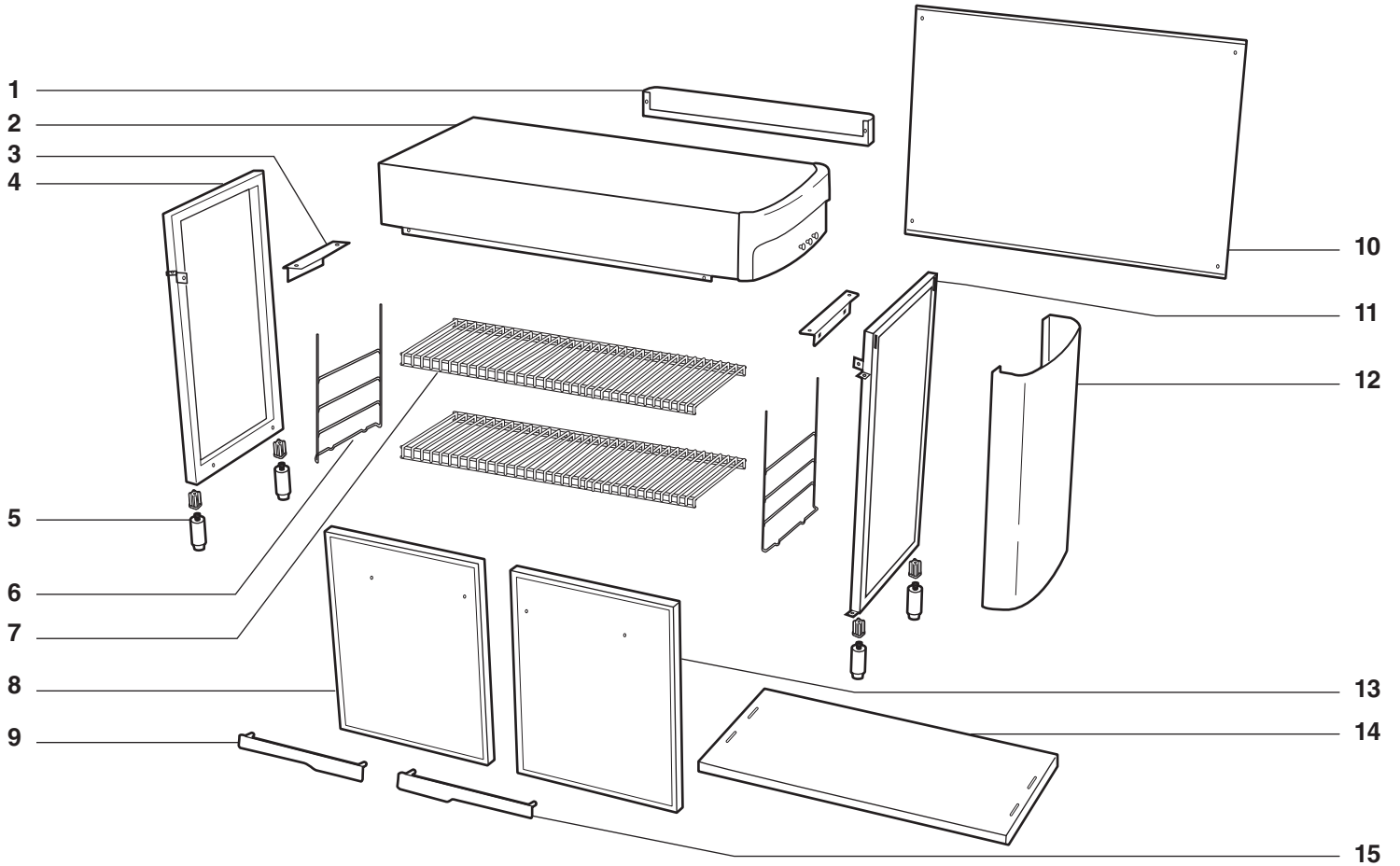
10. Trash Can
Bote de basura
Corbeille

11. Bottom Panel
Panel inferior
Panneau inférieur

EXPLODED VIEW • DIAGRAMA DE DESPIECE • VUE ECLATEE



SUMMIT_Grill Center Social Center_121610

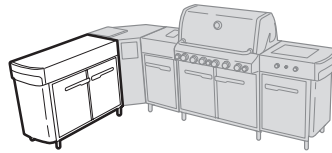


- 1. Condiment Holder**
Portacondimentos
Support pour condiments
- 2. Table**
Mesa
Tablette
- 3. Shelf Bracket**
Soporte del estante
Support pour étagère
- 4. Left Frame**
Bastidor derecho
Cadre de gauche
- 5. Adjustable Leg**
Pata ajustable
Pied ajustable

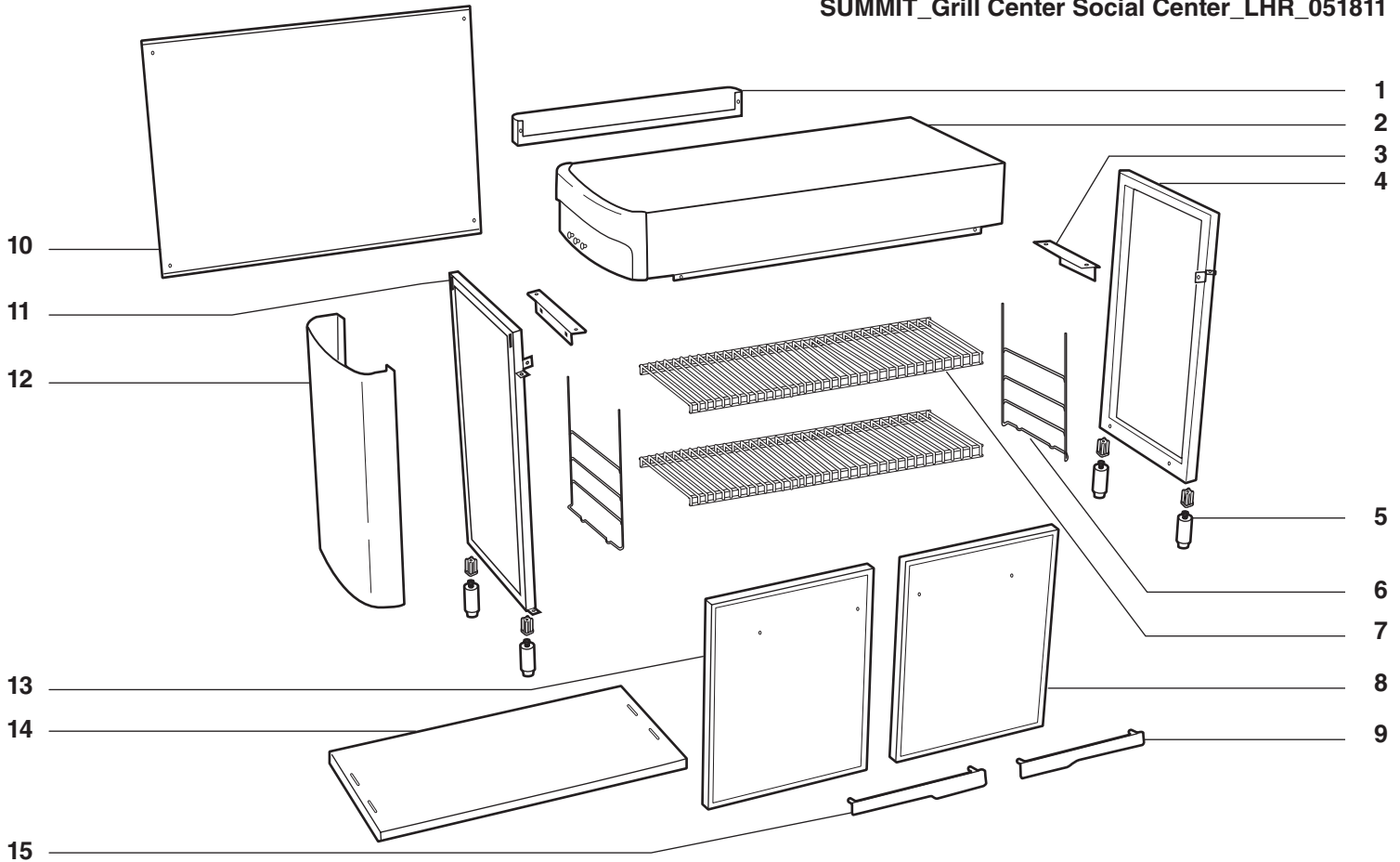
- 6. Shelf Frame**
Bastidor del estante
Cadre de l'étagère
- 7. Shelf**
Estante
Etagère
- 8. Left Door**
Puerta izquierda
Porte de gauche
- 9. Left Door Handle**
Asa de la puerta izquierda
Poignée de la porte de gauche
- 10. Back Panel**
Panel posterior
Panneau arrière

- 11. Right Frame**
Bastidor derecho
Cadre de droite
- 12. Right Frame Skirt**
Faldón del bastidor derecho
Jupe du cadre de droite
- 13. Right Door**
Puerta derecha
Porte de droite
- 14. Bottom Panel**
Panel inferior
Panneau inférieur
- 15. Right Door Handle**
Asa de la puerta derecha
Poignée de porte de droite

EXPLODED VIEW • DIAGRAMA DE DESPIECE • VUE ECLATEE



SUMMIT_Grill Center Social Center_LHR_051811



1. Condiment Holder
Portacondimentos
Support pour condiments

2. Table
Mesa
Tablette

3. Shelf Bracket
Soporte del estante
Support pour étagère

4. Right Frame
Bastidor derecho
Cadre de droite

5. Adjustable Leg
Pata ajustable
Pied ajustable

6. Shelf Frame
Bastidor del estante
Cadre de l'étagère

7. Shelf
Estante
Étagère

8. Right Door
Puerta derecha
Porte de droite

9. Right Door Handle
Asa de la puerta derecha
Poignée de porte de droite

10. Back Panel
Panel posterior
Panneau arrière

11. Left Frame
Bastidor derecho
Cadre de gauche

12. Left End Skirt
Faldón del extremo izquierdo
Jupe d'extrémité gauche

13. Left Door
Puerta izquierda
Porte de gauche

14. Bottom Panel
Panel inferior
Panneau inférieur

15. Left Door Handle
Asa de la puerta izquierda
Poignée de la porte de gauche

WARRANTY

Weber-Stephen Products LLC (Weber) hereby warrants to the ORIGINAL PURCHASER of this Weber® gas grill that it will be free of defects in material and workmanship from the date of purchase as follows:

Aluminum castings:	25 years (2 years on paint; excludes fading)
Stainless steel shroud:	25 years
Porcelain-enameled shroud:	25 years
Stainless steel burner tubes:	10 years
Stainless steel cooking grates:	5 years no rust through or burn through
Stainless steel Flavorizer® bars:	5 years no rust through or burn through
Porcelain-enameled cast-iron cooking grates:	5 years no rust through or burn through
Porcelain-enameled cooking grates:	3 years no rust through or burn through
Porcelain-enameled Flavorizer® bars:	2 years no rust through or burn through
Infrared rotisserie burner:	2 years
All remaining parts:	2 years

when assembled and operated in accordance with the printed instructions accompanying it. Weber may require reasonable proof of your date of purchase. THEREFORE, YOU SHOULD RETAIN YOUR SALES SLIP OR INVOICE.

This Limited Warranty shall be limited to the repair or replacement of parts that prove defective under normal use and service and which on examination shall indicate, to Weber's satisfaction, they are defective. Before returning any parts, contact the Customer Service Representative in your area using the contact information on our website. If Weber confirms the defect and approves the claim, Weber will elect to replace such parts without charge. If you are required to return defective parts, transportation charges must be prepaid. Weber will return parts to the purchaser, freight or postage prepaid.

This Limited Warranty does not cover any failures or operating difficulties due to accident, abuse, misuse, alteration, misapplication, vandalism, improper installation or improper maintenance or service, or failure to perform normal and routine maintenance, including but not limited to damage caused by insects within the burner tubes, as set out in this owner's manual.

Deterioration or damage due to severe weather conditions such as hail, hurricanes, earthquakes or tornadoes, discoloration due to exposure to chemicals either directly or in the atmosphere, is not covered by this Limited Warranty.

There are no other express warrants except as set forth herein and any applicable implied warranties of merchantability and fitness are limited in duration to the period of coverage of this express written Limited Warranty. Some regions do not allow limitation on how long an implied warranty lasts, so this limitation may not apply to you.

Weber is not liable for any special, indirect or consequential damages. Some regions do not allow the exclusion or limitation of incidental or consequential damages, so this limitation or exclusion may not apply to you.

Weber does not authorize any person or company to assume for it any other obligation or liability in connection with the sale, installation, use, removal, return, or replacement of its equipment; and no such representations are binding on Weber.

This Warranty applies only to products sold at retail.

WEBER-STEPHEN PRODUCTS LLC
Customer Service Center
1890 Roselle Road, Suite 308
Schaumburg, IL 60195
USA

For replacement parts call:
1-800-446-1071

Visit www.weber.com®, select your country of origin, and register your grill today. ♦

GENERAL INSTRUCTIONS

With the Weber® gas barbecue, you can grill, barbecue, roast, and bake with results that are difficult to duplicate with indoor kitchen appliances. The closed lid and Flavorizer® bars produce that "outdoor" flavor in the food.

Liquid Propane (LP) gas supply is easy to use and gives you more cooking control than charcoal fuel.

- These instructions will give you the minimum requirements for assembling your Weber® gas barbecue. Please read the instructions carefully before using your Weber® gas barbecue. Improper assembly can be dangerous.
- Not for use by children.
- If there are local codes that apply to "built-in" gas grills, you will have to conform to them. Installation must conform with local codes or, in the absence of local codes, with either the National Fuel Gas Code, ANSI Z223.1/NFPA 54, Natural Gas and Propane Installation Code, CSA B149.1, or Propane Storage and Handling Code, B149.2 as applicable.
- The pressure regulator supplied with the Weber® gas barbecue must be used. This regulator is set for 11 inches of water column (pressure).
- This Weber® gas barbecue is designed for use with liquid propane (LP) gas only. Do not use with natural (piped in city) gas. The valves, orifices, hose, and regulator are for LP gas only.
- Do not use with charcoal fuel.
- Check that the area under the control panel and the grease tray are free from debris that might obstruct the flow of combustion or ventilation air.
- The areas around the LP cylinder must be free and clear from debris.
- Replacement pressure regulators and hose assemblies must be those specified by Weber-Stephen Products LLC. ♦

FOR INSTALLATION IN CANADA

These instructions, while generally acceptable, do not necessarily comply with the Canadian Installation codes, particularly with piping above and below ground. In Canada the installation of this appliance must comply with local codes and/or Standard CSA-B149.2 (Propane Storage and Handling Code). ♦

OPERATING

- ⚠ **WARNING: Only use this barbecue outdoors in a well-ventilated area. Do not use in a garage, building, breezeway or any other enclosed area.**
- ⚠ **WARNING: Keep the ventilation openings of the cylinder enclosure free and clear of debris.**
- ⚠ **WARNING: Your Weber® gas barbecue shall not be used under overhead combustible construction.**
- ⚠ **WARNING: Do not use the barbecue within 24 inches (610 mm) of combustible materials, top, bottom, back or sides of the grill.**

- ⚠ **WARNING: The entire cooking box gets hot when in use. Do not leave unattended.**
- ⚠ **WARNING: Keep any electrical supply cord and the fuel supply hose away from any heated surface.**
- ⚠ **WARNING: Keep the cooking area clear of flammable vapors and liquids such as gasoline, alcohol, etc., and combustible materials.**
- ⚠ **WARNING: Never store an extra (spare) LP cylinder under or near the Weber® gas barbecue.**
- ⚠ **WARNING: Keep the ventilation openings of the cylinder enclosure free and clear of debris.**
- ⚠ **WARNING: Turn off the gas at the LP gas supply cylinder when the outdoor cooking gas appliance is not in use.**
- ⚠ **WARNING: LP cylinders must be stored outdoors out of the reach of children and must not be stored in a building, garage, or any other enclosed area.**
- ⚠ **WARNING: The LP cylinder used with your barbecue must be with a listed OPD (Overfilling Prevention Device) and a QCC1 or Type 1 (CGA810) cylinder connection. The cylinder connection must be compatible with the barbecue connection.** ♦

STORAGE AND/OR NONUSE

- The gas must be turned off at the liquid propane cylinder when the Weber® gas barbecue is not in use.
- LP cylinder must be stored outdoors in a well-ventilated area out of reach of children. Disconnected LP cylinder must not be stored in a building, garage, or any other enclosed area.
- Check that the areas under the control panel and the slide-out grease tray are free from debris that might obstruct the flow of combustion or ventilation air.
- The spider/insect screens should also be checked for any obstructions. (Refer to "MAINTENANCE/ANNUAL MAINTENANCE.") ♦

GAS INSTRUCTIONS

SAFE HANDLING TIPS FOR LIQUID PROPANE GAS CYLINDERS

- Liquid Propane (LP) gas is a petroleum product as are gasoline and natural gas. LP gas is a gas at regular temperatures and pressures. Under moderate pressure, inside a cylinder, LP gas is a liquid. As the pressure is released, the liquid readily vaporizes and becomes gas.
- LP gas has an odor similar to natural gas. You should be aware of this odor.
- LP gas is heavier than air. Leaking LP gas may collect in low areas and prevent dispersion.
- To fill, take the LP cylinder to a propane gas dealer, or look up “gas-propane” in the phone book for other sources of LP gas.

⚠ WARNING: We recommend that your LP cylinder be filled at an authorized LP gas dealer, by a qualified attendant, who fills the tank by weight. IMPROPER FILLING IS DANGEROUS.

- Air must be removed from a new LP cylinder before the initial filling. Your LP dealer is equipped to do this.
- The LP cylinder must be installed, transported, and stored in an upright position. LP cylinders should not be dropped or handled roughly.
- Never store or transport the LP cylinder where temperatures can reach 125° F (too hot to hold by hand). For example: do not leave the LP cylinder in a car on a hot day.

Note: A refill will last about 18–20 hours of cooking time at normal use. The fuel scale, a feature on some of our grills, will indicate the propane supply so you can refill the cylinder before running out. You do not have to run out before you refill.

- Treat “empty” LP cylinders with the same care as when full. Even when the LP tank is empty of liquid, there still may be gas pressure in the cylinder. Always close the cylinder valve before disconnecting.

⚠ CAUTION: Place dust cap on cylinder valve outlet whenever the cylinder is not in use. Only install the type of dust cap on the cylinder valve outlet that is provided with the cylinder valve. Other types of caps or plugs may result in leakage of propane.

- Do not use a damaged LP cylinder. A dented or rusty LP cylinder or an LP cylinder with a damaged valve may be hazardous and should be replaced with a new one immediately.
- The joint where the hose connects to the LP cylinder must be leak tested each time the LP cylinder is reconnected. For example, test each time the LP cylinder is refilled.
- Be sure the regulator is mounted with the small vent hole pointed downward so that it will not collect water. This vent should be free of dirt, grease, bugs, etc.
- The gas connections supplied with your Weber® gas appliance have been designed and tested to meet 100% CSA and ANSI requirements.

⚠ WARNING: Replacement LP tanks must match the regulator connection supplied with this Weber® gas appliance.

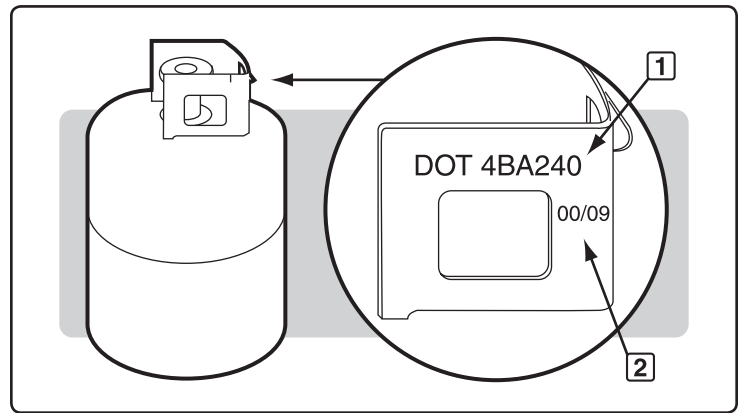
Liquid Propane Cylinder Requirements

- Check to be sure that cylinders have a D.O.T. certification (1), and that they have been date tested (2) is within five years of use. Your LP gas supplier can do this for you.
- All LP tank supply systems must include a collar to protect the cylinder valve.
- The LP cylinder must be a 20-lb. size approximately 18¼ inches high and 12¼ inches in diameter.
- The cylinder must be constructed and marked in accordance with the Specifications for LP - Gas Cylinders of the U.S. Department of Transportation (D.O.T.) or the National Standard of Canada, CAN/CSA-B339, Cylinders, Spheres and Tubes or Transportation of Dangerous Goods; and Commission, as applicable.

Canadian Liquid Propane Cylinder Requirements

Note: Your retailer can help you match a replacement tank to your barbecue.

- The LP cylinder must be constructed and marked in accordance with the specifications for LP gas cylinders, T.C. ♦



GAS INSTRUCTIONS

IMPORTANT LP CYLINDER INFORMATION

⚠ DANGER

NEVER store a spare LP cylinder under or near Weber® gas appliances. **NEVER** fill the tank beyond 80% full. Failure to follow these statements exactly may result in a fire causing death or serious injury.

Weber® gas appliances are equipped for a cylinder supply system designed for vapor withdrawal.

⚠ WARNING: Only use Weber® gas appliances outdoors in a well-ventilated area. Do not use in a garage, building, breezeway or any other enclosed area.

The proper filling methods for the filling of your cylinder are by weight or volume, as described in NFPA 58. Please make sure your filling station fills your LP cylinder by weight or volume. Ask your filling station to read purging and filling instructions on the LP cylinder before attempting to fill. ♦

LEAK CHECK PREPARATION

Check That All Burner Valves Are Off

Valves are shipped in the OFF position, but you should check to be sure that they are turned off. Check by pushing down and turning clockwise. If they do not turn, they are off. If they do turn, continue turning them clockwise until they stop; then they are off.

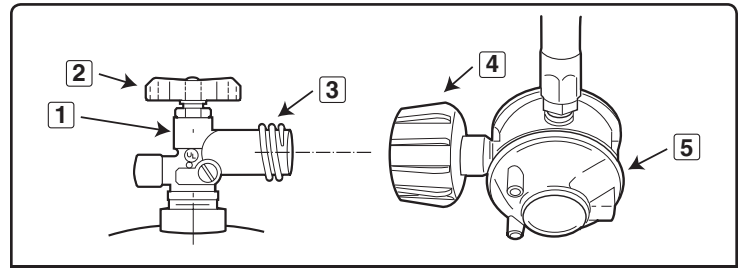
The Liquid Propane Cylinder

All Weber® liquid propane gas grill regulators are equipped with a UL-Listed tank connection as per the latest edition of ANSI Z21.58. This will require a liquid propane tank that is similarly equipped with a Type 1 connection in the tank valve. This Type 1 coupling allows you to make a fast and totally safe hookup between your gas grill and your liquid propane tank. It eliminates the chance of leaks due to a POL fitting that is not properly tightened. Gas will not flow from the tank unless the Type 1 coupling is fully engaged into the coupling.

⚠ WARNING: Make sure that the LP cylinder valve is closed. Close by turning valve clockwise.

⚠ DANGER

Do not use an open flame to check for gas leaks. Be sure there are no sparks or open flames in the area while you check for leaks. Sparks or flames will result in a fire or explosion which can cause serious bodily injury or death, and damage to property.



TYPE 1 CONNECTIVE COUPLING

1	Type 1 valve
2	Hand wheel
3	External thread
4	Thermally sensitive nut
5	Propane regulator

GAS INSTRUCTIONS

A) Locate hose retention clip (1) on regulator hose. Secure into slot (2) on underside of tank scale.

⚠ WARNING: The hose must be secured to the tank scale with the Hose Retention Clip. Failure to do so could cause damage to the hose resulting in a fire or explosion which can cause serious bodily injury or death, and damage to property.

Some LP tanks have differing top collar assemblies. (The top collar is the metal protective ring around the valve.) One series of tanks mount with the valve facing front (3). The other tanks mount with the valve facing away from the fuel scale (4). Weber recommends the use of cylinder manufacturer's Manchester and Worthington, with a 47.6 lb water capacity. Other cylinders may be acceptable for use with the appliance provided they are compatible with the appliance retention means (see illustrations).

The LP cylinder is installed inside the base cabinet, on the tank scale (right side).

B) Open base cabinet doors.

C) Loosen cylinder lock wing nut. Swing cylinder lock up (5).

D) Turn the LP cylinder so the opening of the valve is either to the front or side of the Weber® gas barbecue.

E) Lift tank up into position on the tank scale (6).

F) Swing the cylinder lock down. Tighten the wing nut.

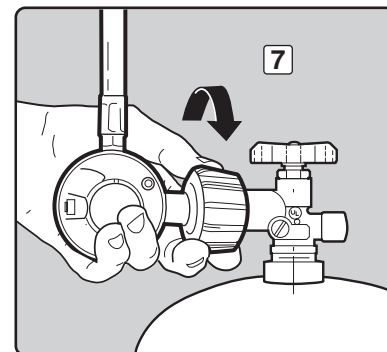
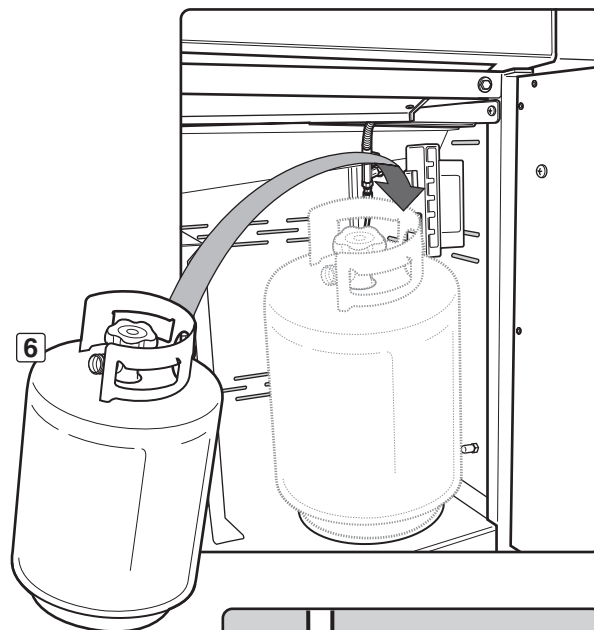
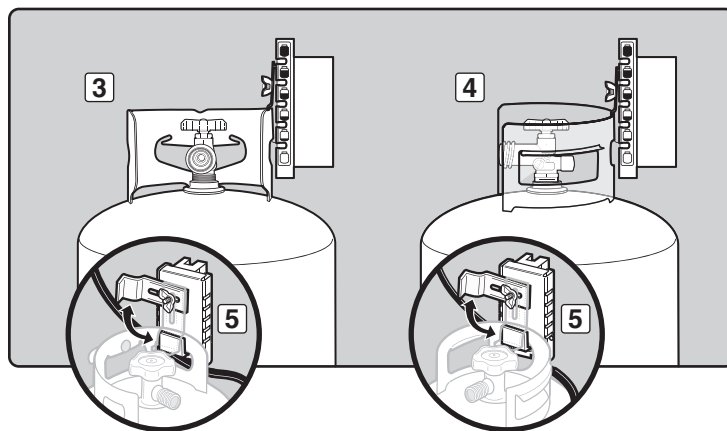
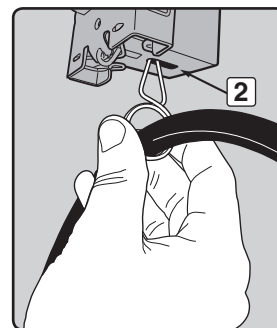
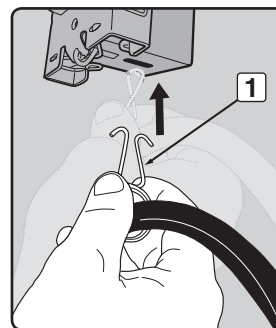
Connect The Hose To The Cylinder

A) Remove the plastic dust cover from the valve.

B) Screw the regulator coupling onto the tank valve, clockwise, or to the right. Hand-tighten only (7).

Note: This connection tightens clockwise and will not allow gas to flow unless the connection is tight. The connection requires tightening by hand only.

⚠ WARNING: Do not use a wrench to tighten the connection. Using a wrench could damage the regulator coupling and could cause a leak.



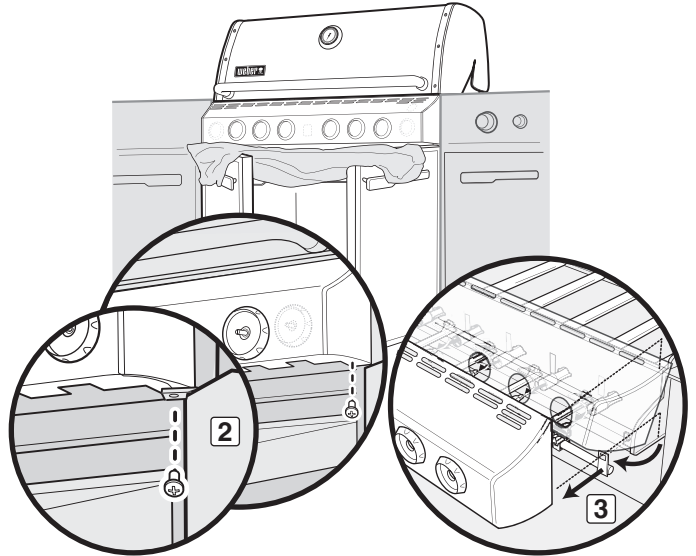
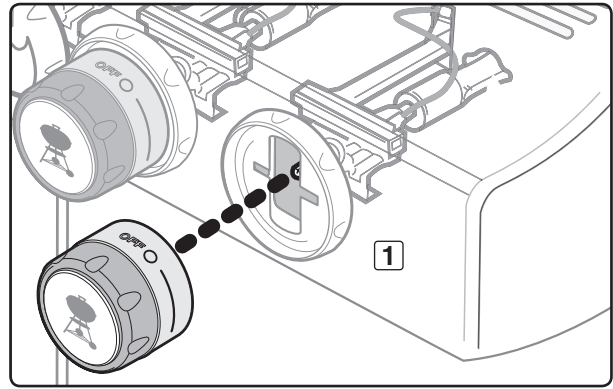
GAS INSTRUCTIONS

⚠ WARNING: The gas connections of your Summit® gas grill have been factory tested. We do however recommend that you leak check all gas connections before operating your Summit® gas grill.

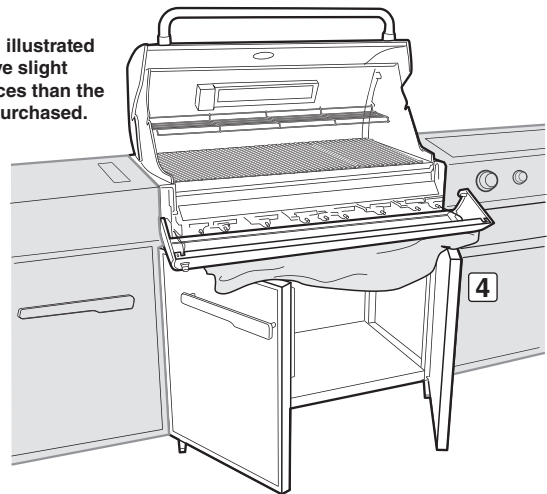
Remove Control Panel

Parts required: Phillips screwdriver and a towel.

- A) Remove the burner control knobs (1).
- B) Open both doors and place a towel on top of the doors. This will protect the control panel and tops of the doors from getting scratched on the next step.
- C) Remove the screws from the underside of the control panel with a Phillips screwdriver (2).
- D) Tilt the control panel forward and lift up and away from the grill (3) (For Summit® models with LED features: Be careful not to break or disconnect the wires for the control panel LED's).
- E) Place the control panel on the towel covering the door assemblies (4).



The grill illustrated may have slight differences than the model purchased.



GAS INSTRUCTIONS

Remove Side Burner Cabinet Back Panel and Side Burner Cabinet Water Deflector

Tools required: Phillips screwdriver.

- A) Facing the back of the unit, remove screws that secure back panel of side burner cabinet with a Phillips screwdriver (1).
- B) Remove back panel and set aside (2).
- C) Facing the front of the unit, open side burner cabinet door and remove screw securing side burner cabinet water deflector (3).
- D) Facing the back of the unit, push water deflector forward to allow rear edge to drop down. Pivot down on an angle and remove from side burner cabinet (4). ♦

CHECK FOR GAS LEAKS

⚠ DANGER

Do not use an open flame to check for gas leaks. Be sure there are no sparks or open flames in the area while you check for leaks. Sparks or open flames will result in a fire or explosion, which can cause serious bodily injury or death and damage to property.

Note: All factory-made connections have been thoroughly checked for gas leaks. The burners have been flame-tested. As a safety precaution, however, you should recheck all fittings for leaks before using your Weber® gas barbecue. Shipping and handling may loosen or damage a gas fitting.

- ⚠ **WARNING: The gas connections of your gas grill have been factory tested. We do however recommend that you leak check all gas connections before operating your gas grill.**
- ⚠ **WARNING: Perform these leak checks even if your barbecue was dealer or store assembled.**

If your grill has a side burner, make sure the side burner is turned off.

Turn on gas supply at source.

- ⚠ **WARNING: Do not ignite burners when leak checking.**

You will need: A soap and water solution and a rag or brush to apply it.

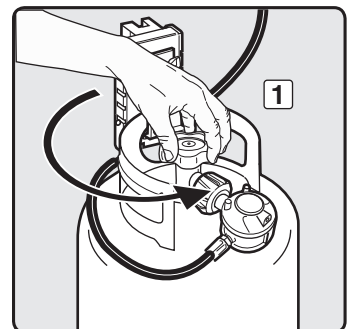
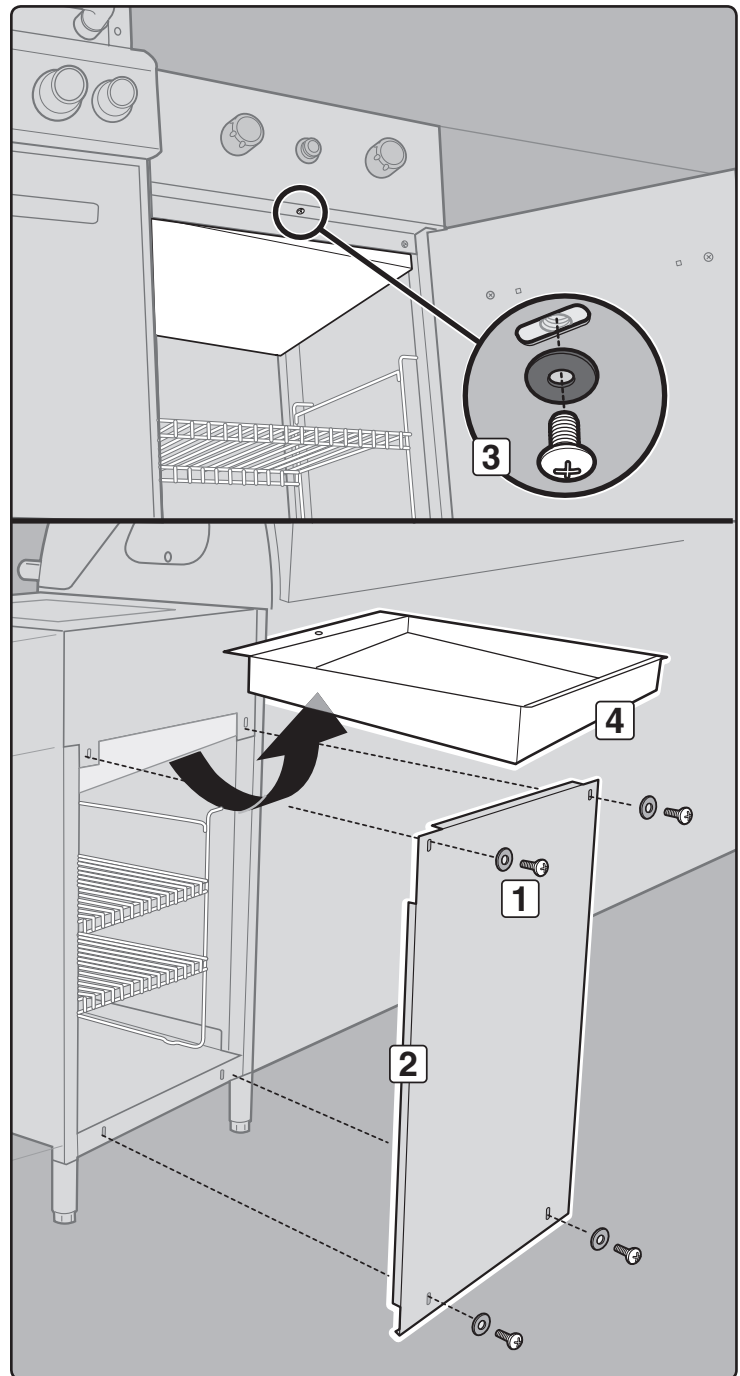
- A) Mix soap and water.
- B) Turn on gas supply (1).
- C) Check for leaks by wetting the fitting with the soap and water solution and watching for bubbles. If bubbles form, or if a bubble grows, there is a leak.

If there is a leak, turn off the gas and tighten the fitting. Turn the gas back on and recheck with the soap and water solution. If leak does not stop, do not use the barbecue. Contact the Customer Service representative in your area using the contact information on our web site. Log onto www.weber.com®.

- D) When leak checking is complete, turn gas supply off at the source and rinse connections with water.

Note: Since some leak test solutions, including soap and water, may be slightly corrosive, all connections should be rinsed with water after checking for leaks.

- ⚠ **WARNING: You should check for gas leaks every time you disconnect and reconnect a gas fitting.**



GAS INSTRUCTIONS

Check

- A) Main gas line to manifold connection (1).
- B) Rotisserie (I.R. Burner) gas line connection (2).
- C) Bulkhead and gas supply hose connection (3).
- D) Side burner hose to bulkhead connection (4).

⚠ WARNING: If there is a leak at connection (1, 2, 3, or 4), re-tighten the fitting with a wrench and recheck for leaks with soap and water solution. If a leak persists after re-tightening the fitting, turn off the gas. DO NOT OPERATE THE GRILL. Contact the Customer Service Representative in your area using the contact information on our web site. Log onto www.weber.com.

- E) Side burner hose to quick disconnect connection, side burner line to valve and orifice connections (5).
- F) Hose to regulator connection (6).
- G) Regulator to cylinder connection (7).
- H) Valves to manifold connections (8).

⚠ WARNING: If there is a leak at connections (5, 6, 7, or 8), turn off the gas. DO NOT OPERATE THE GRILL. Contact the Customer Service Representative in your area using the contact information on our web site. Log onto www.weber.com.

When leak checks are complete, turn gas supply off at the source and rinse connections with water.

Reinstall Control Panel

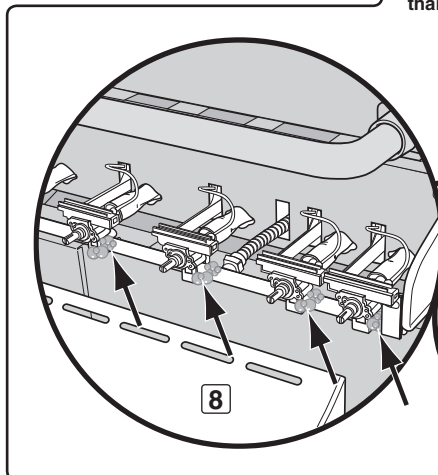
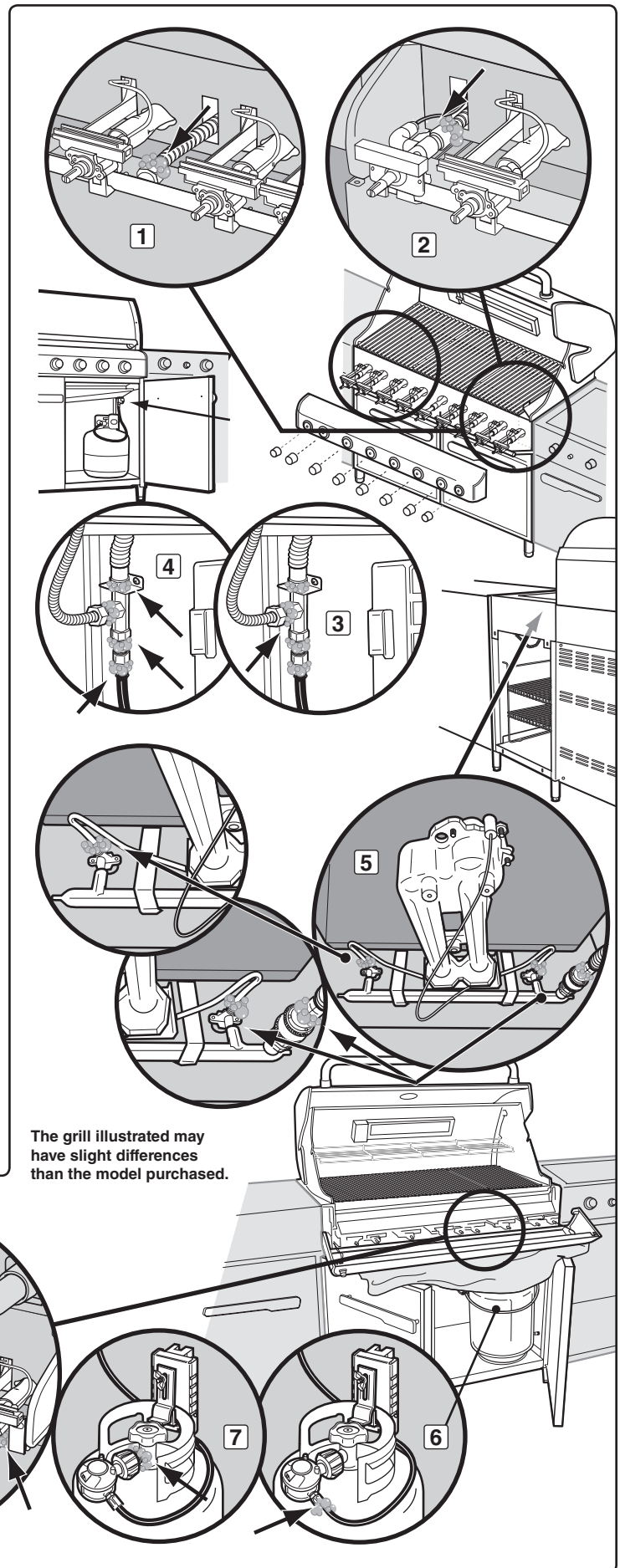
Parts required: control panel, screws and burner control knobs.

- A) Hook the top edge of the control panel onto the control panel brackets on either side of the front of the cooking box.
- B) Line up screws with screw holes on both the control panel bracket and the frame. Tighten screws.
- C) Place corresponding control knobs onto the valve stems.

Reinstall Side Burner Cabinet Water Deflector

Tools required: Phillips screwdriver.

- A) Push front edge of water deflector up on an angle into side burner cabinet. The front edge rests on the lip on the underside of the table. Pivot rear edge of deflector up and rest on rear lip of table.
- B) Replace screw securing side burner cabinet water deflector. ♦



GAS INSTRUCTIONS

REFILLING THE LIQUID PROPANE CYLINDER

We recommend that you refill the LP cylinder before it is completely empty.

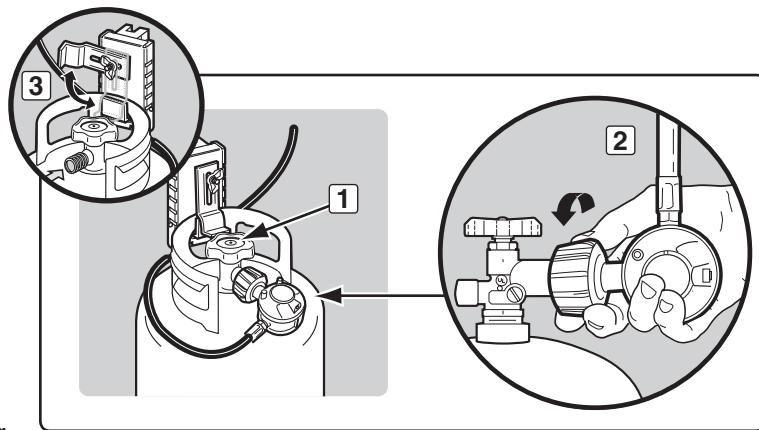
Removal of the LP cylinder:

- A) Close cylinder valve (turn clockwise) (1).
- B) Unscrew regulator coupling by turning counterclockwise, by hand only (2).
- C) Loosen cylinder lock wing nut and turn cylinder lock up out of the way (3).
- D) Lift cylinder off.

To fill, take the LP cylinder to a gas propane dealer, or look up "gas-propane" in the phone book for other sources of LP gas.

⚠ WARNING: We recommend that your LP cylinder be filled at an authorized LP gas dealer, by a qualified attendant, who fills the cylinder by weight. IMPROPER FILLING IS DANGEROUS.

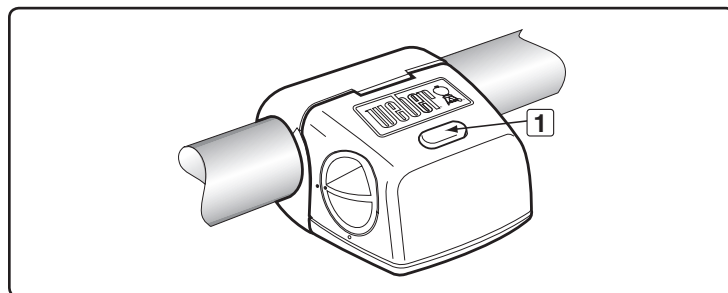
⚠ CAUTION: Place dust cap on cylinder valve outlet whenever the cylinder is not in use. Only install the type of dust cap on the cylinder valve outlet that is provided with the cylinder valve. Other types of caps or plugs may result in leakage of propane. ♦



LIGHT FEATURES

WEBER® GRILL OUT™ HANDLE LIGHT

The Weber Grill Out™ Handle Light has a built-in "tilt sensor." With the power button (1) activated, the light will come on when the grill lid is open. The light will turn off when the lid is closed. For daytime use, deactivate the sensor by pressing power button (1). ♦

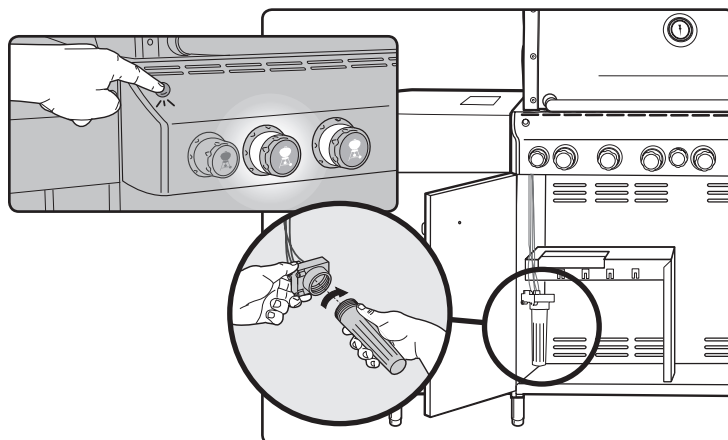


LIGHTED CONTROL KNOBS

Your gas grill comes with control knobs that light up, allowing you to fine tune heat settings, even in low light conditions.

Requires three "D" alkaline batteries. Do not mix old and new batteries or different types of batteries (standard, alkaline, or rechargeable). Battery housing is located inside the cabinet on the left side.

To operate, activate power button. ♦



BEFORE USING THE GRILL

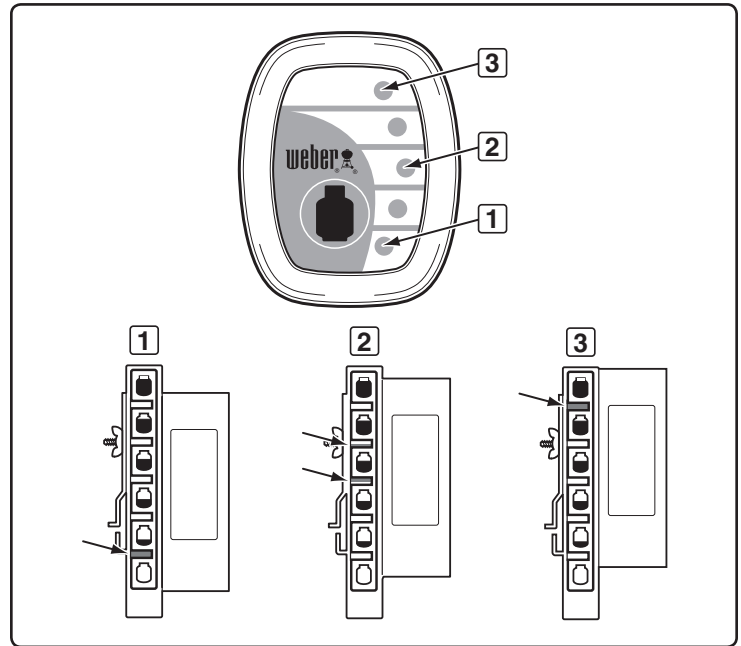
FUEL LEVEL

There are two ways to check the fuel level in your tank: electronically and manually.

To check the level using the electronic tank scale, press the tank scale button, located on the right side of the control panel, for two–three seconds. The LED indicates the fuel level in the tank.

To check the level using the manual tank scale, view the color indicator level line, located on the side of the tank scale.

- A) Empty (1)
- B) Medium (2)
- C) Full (3) ♦

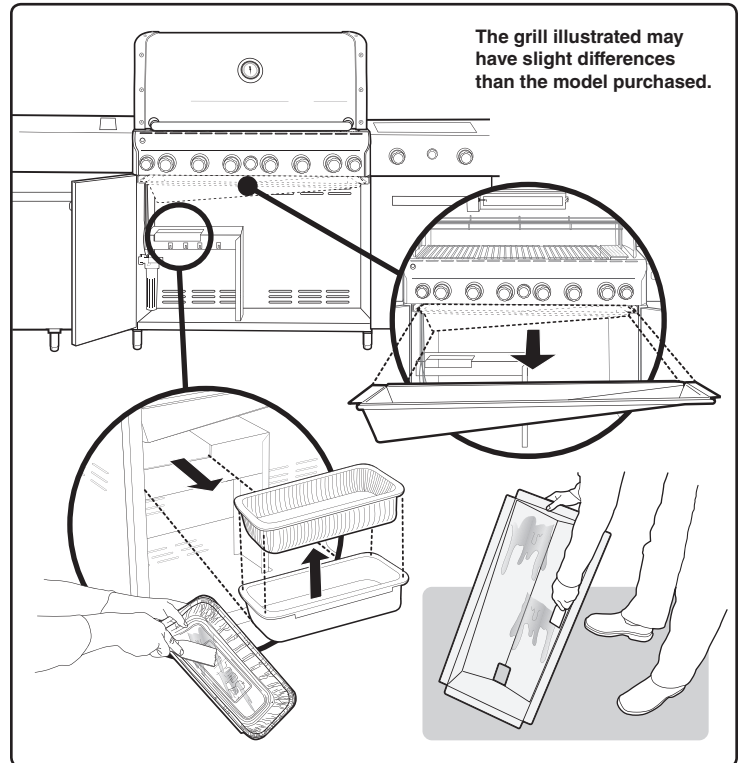


SLIDE-OUT GREASE TRAY AND DISPOSABLE DRIP PAN

Your grill was built with a grease collection system. Check the slide-out grease tray and disposable drip pan for grease build-up each time you use your grill.

Remove excess grease with a plastic spatula; see illustration. When necessary, wash the grease tray and drip pan with a soap and water solution, then rinse with clean water. Replace the disposable drip pan as needed.

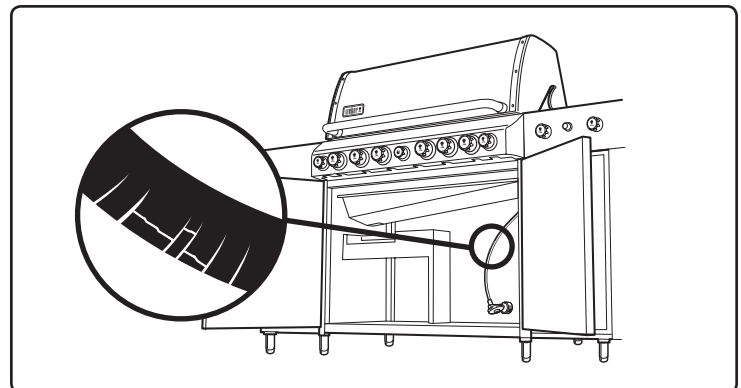
- ⚠ **WARNING:** Check the slide-out grease tray and disposable drip pan for grease build-up before each use. Remove excess grease to avoid a grease fire. A grease fire can cause serious bodily injury or damage to property.
- ⚠ **CAUTION:** Do not line the slide-out grease tray with aluminum foil. ♦



HOSE INSPECTION

The hose should be inspected for any signs of cracking.

- ⚠ **WARNING:** Check hose before each use of barbecue for nicks, cracking, abrasions or cuts. If the hose is found to be damaged in any way, do not use the barbecue. Replace using only Weber® authorized replacement hose. Contact the Customer Service Representative in your area using the contact information on our web site. Log onto www.weber.com®. ♦

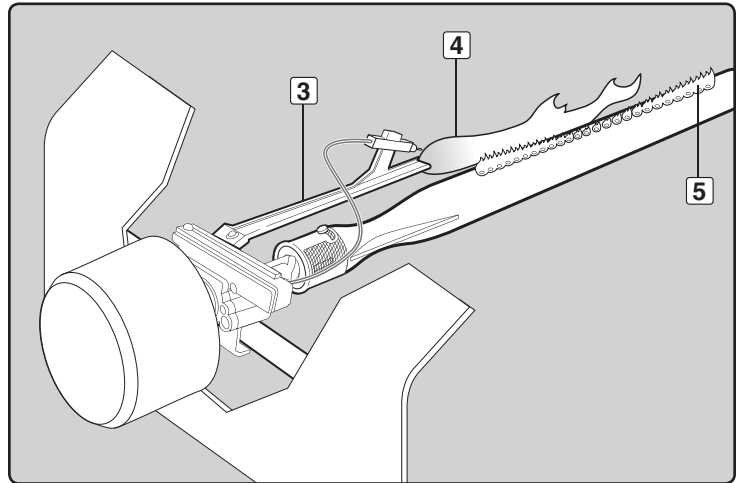
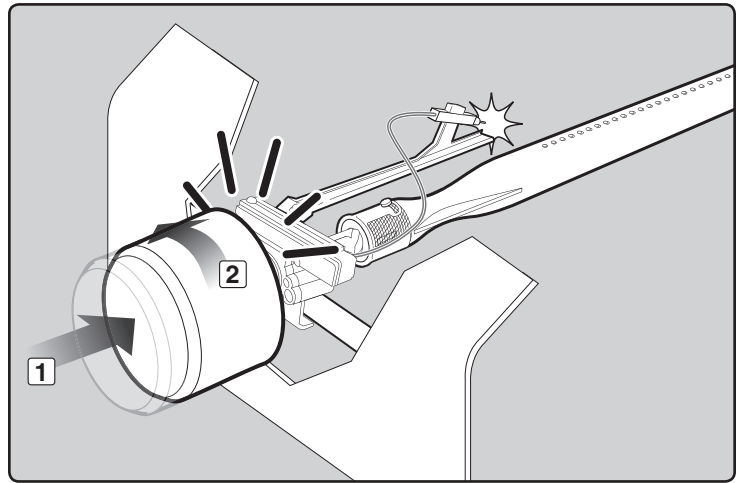


SNAP IGNITION OPERATION

⚠ Always open the lid before igniting the burners.

- A) Each control knob has its own igniter electrode built in. To create a spark, you must push the control knob in (1) and turn it to START/HI (2).
- B) This action will generate gas flow and a spark to the burner lighting tube (3). You will hear a “snap” from the igniter. You will also see a 3" – 5" orange flame coming from the burner lighting tube at the left side of the burner (4).
- C) **Continue to hold the burner control knob in for two seconds after the “snap.”** This will allow gas to flow completely down the burner tube (5) and ensure ignition.
- D) Check that the burner is lit by looking through the cooking grates. You should see a flame. If burner does not light on first try, push control knob in and turn it to OFF. Repeat lighting procedure a second time.

⚠ WARNING: If the burner still does not light, turn the burner control knob to OFF and wait five minutes to let the gas clear before you try again or try to light with a match. ♦



MAIN BURNER IGNITION & USAGE

MAIN BURNER IGNITION

Summary lighting instructions are inside the left-hand cabinet door.

⚠ DANGER

Failure to open the lid while igniting the barbecue's burners, or not waiting five minutes to allow the gas to clear if the barbecue does not light, may result in an explosive flare-up which can cause serious bodily injury or death.

Main Burner Snap Ignition

Note: Each control knob snap igniter creates a spark from the igniter electrode to the burner lighting tube. You generate the energy for the spark by pushing in the control knob and turning it to START/HI. This will ignite each individual burner.

⚠ **WARNING:** Check hose before each use of barbecue for nicks, cracking, abrasions or cuts. If the hose is found to be damaged in any way, do not use the barbecue. Replace using only Weber® authorized replacement hose. Contact the Customer Service Representative in your area using the contact information on our web site.

Log onto www.weber.com®.

- A) Open the lid (1).
- B) Make sure all burner control knobs are turned off (2). (Push control knob in and turn it clockwise to ensure that it is in the OFF position.)

⚠ **WARNING:** The burner control knobs must be in the OFF position before turning on the liquid propane cylinder tank valve. If they are not in the OFF position, when you turn on the LP cylinder valve, the "excess gas flow control" feature will activate, limiting the flow of gas from the LP cylinder. If this should occur, turn off the LP cylinder valve and burner control knobs. Start over.

⚠ DANGER

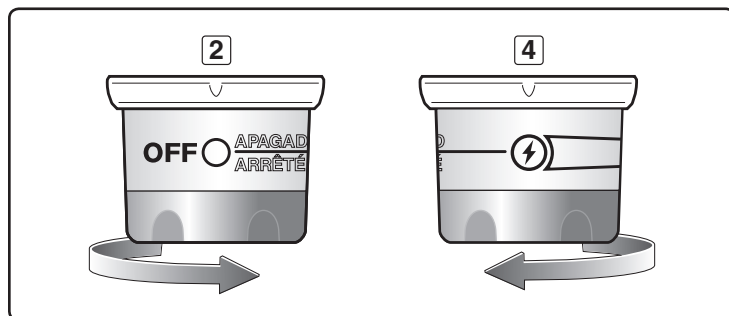
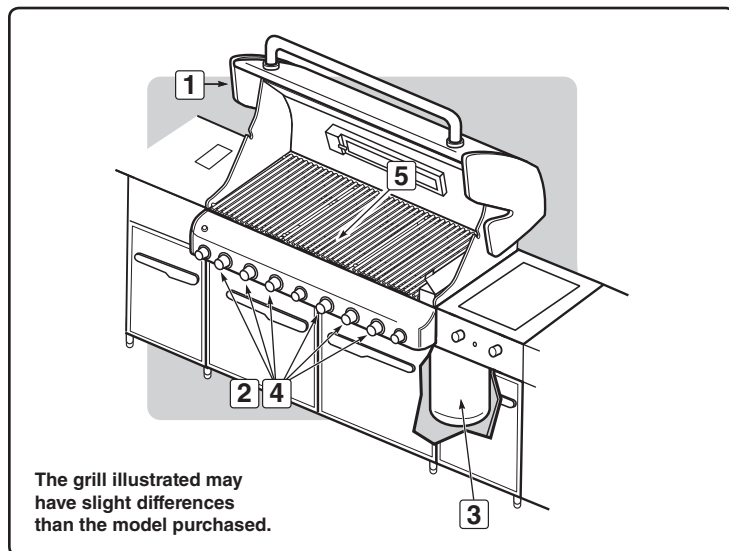
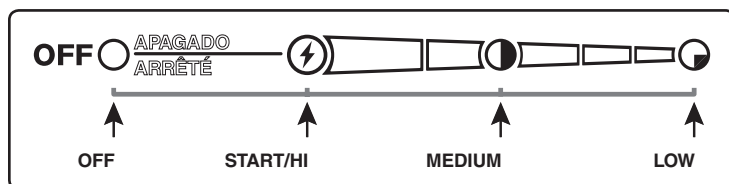
When the "excess gas flow control" feature is activated, a small amount of gas is still flowing to the burners. After turning off the cylinder and burner control knobs, wait at least five minutes for the gas to clear before attempting to light the grill. Failure to do so may result in an explosive flare-up, which can cause serious bodily injury or death.

- C) Turn the cylinder on by turning the cylinder valve counterclockwise (3).
- D) Push the control knob in and turn it to START/HI until you hear the igniter snap (4); continue to hold control knob in for two seconds. This action will spark the igniter, the burner lighting tube, and then main burner.
- E) Check that the burner is lit by looking through the cooking grates (5). You should see a flame. If burner does not light on first try, push control knob in and turn it to OFF. Repeat lighting procedure a second time.

⚠ **WARNING:** If the burner still does not light, turn the burner control knob to OFF and wait five minutes to let the gas clear before you try again or try to light with a match. ♦

TO EXTINGUISH

Push in and turn each burner control knob clockwise to OFF position. Turn gas supply off at the source. ♦



- C) Turn the cylinder on by turning the cylinder valve counterclockwise (3).

⚠ **WARNING:** Do not lean over the open barbecue.

- D) Push the control knob in and turn it to START/HI until you hear the igniter snap (4); continue to hold control knob in for two seconds. This action will spark the igniter, the burner lighting tube, and then main burner.
- E) Check that the burner is lit by looking through the cooking grates (5). You should see a flame. If burner does not light on first try, push control knob in and turn it to OFF. Repeat lighting procedure a second time.

⚠ **WARNING:** If the burner still does not light, turn the burner control knob to OFF and wait five minutes to let the gas clear before you try again or try to light with a match. ♦

TO EXTINGUISH

Push in and turn each burner control knob clockwise to OFF position. Turn gas supply off at the source. ♦

MAIN BURNER IGNITION & USAGE

MAIN BURNER MANUAL IGNITION

⚠ DANGER

Failure to open the lid while igniting the barbecue's burners, or not waiting five minutes to allow the gas to clear if the barbecue does not light, may result in an explosive flare-up which can cause serious bodily injury or death.

- A) Open the lid (1).
- B) Make sure all burner control knobs are turned off (2). (Push each knob in and turn it clockwise to ensure it is in the OFF position.)

⚠ **WARNING:** The burner control knobs must be in the OFF position before turning on the liquid propane cylinder valve. If they are not in the OFF position, when you turn on the LP cylinder valve, the "excess gas flow control" feature will activate, limiting the flow of gas from the LP cylinder. If this should occur, turn off the LP tank valve and burner control knobs. Start over.

⚠ DANGER

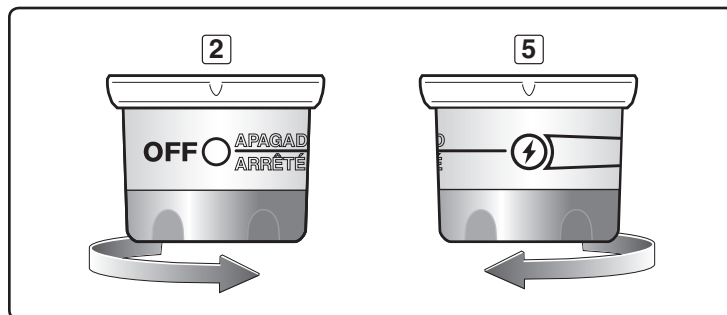
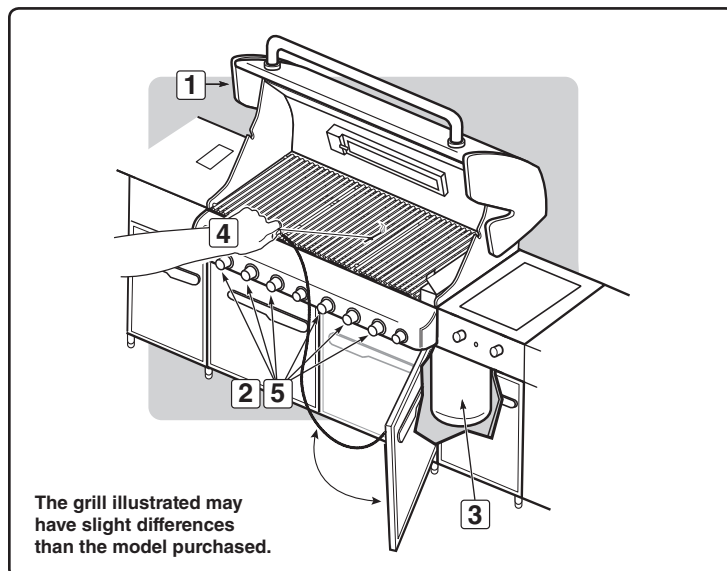
When the "excess gas flow control" feature is activated, a small amount of gas is still flowing to the burners. After turning off the cylinder and burner control knobs, wait at least five minutes for the gas to clear before attempting to light the barbecue. Failure to do so may result in an explosive flare-up, which can cause serious bodily injury or death.

- C) Turn the cylinder on by turning the cylinder valve counterclockwise (3).
- D) Put match in the matchstick holder and strike match.
- E) Insert matchstick holder and lit match down through cooking grates and Flavorizer® bars to ignite the selected burner (4).
- F) Push the control knob in and turn it to START/HI (5).
- G) Check that the burner is lit by looking through the cooking grates (6). You should see a flame.

⚠ **WARNING:** If the burner does not light, turn the burner control knob to OFF and wait five minutes to let the gas clear before you try again. ♦

TO EXTINGUISH

Push in and turn each burner control knob clockwise to OFF position. Turn gas supply off at the source. ♦

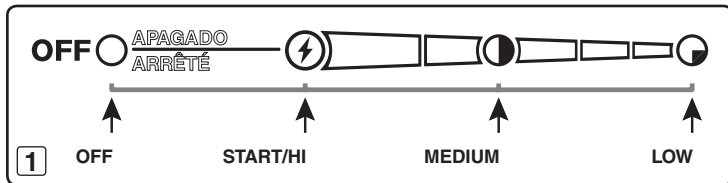


GRILLING TIPS & HELPFUL HINTS

- Always preheat the grill before cooking. Set all burners on HI heat and close lid; heat for 10 minutes, or until thermometer registers 500° – 550° F (260° – 288°C).
- Sear meats and cook with the lid down for perfectly grilled food every time.
- Grilling times in recipes are based on 70°F (20°C) weather and little or no wind. Allow more cooking time on cold or windy days, or at higher altitudes. Allow less cooking time in extremely hot weather.
- Grilling times can vary because of the weather, or the amount, size, and shape of the food being grilled.
- The temperature of your gas grill may run hotter than normal for the first few uses.
- Grilling conditions may require adjustment of the burner controls to attain the correct cooking temperatures.
- In general, large pieces of meat will require more cooking time per pound than small pieces of meat. Foods on a crowded cooking grate will require more cooking time than just a few foods. Foods grilled in containers, such as baked beans, will require more time if grilled in a deep casserole rather than a shallow baking pan.
- Trim excess fat from steaks, chops, and roasts, leaving no more than a scant ¼ inch (6.4 mm) of fat. Less fat makes cleanup easier, and is a virtual guarantee against unwanted flare-ups.
- Foods placed on the cooking grate directly above burners may require turning or moving to a less hot area.
- Use tongs rather than a fork for turning and handling meats to avoid losing natural juices. Use two spatulas for handling large whole fish.
- If an unwanted flare-up should occur, turn all burners off and move food to another area of the cooking grate. Any flames will quickly subside. After flames subside, relight the grill. NEVER USE WATER TO EXTINGUISH FLAMES ON A GAS GRILL.
- Some foods, such as a casserole or thin fish fillets, will require a container for grilling. Disposable foil pans are very convenient, but any metal pan with ovenproof handles can also be used.
- Always be sure the slide-out grease tray and catch pan are clean and free from debris.
- Do not line the slide-out grease tray with foil. This could prevent the grease from flowing into the catch pan.
- Using a timer will help to alert you when “well done” is about to become “overdone.” ♦

PREHEATING

Your Weber® gas barbecue is an energy-efficient appliance. It operates at an economical low BTU rate. Preheating the grill before grilling is important. Light your grill according to the instructions in this Owner's Guide. To preheat: after lighting, turn all burners to START/HI, close the lid, and heat until the temperature reaches between 500° and 550° F (260° and 290° C), the recommended broiling temperature. This will take 10 to 15 minutes depending on conditions such as air temperature and wind.



You can adjust the individual burners as desired. The control settings are OFF, START/HI, MEDIUM, or LOW (1).

Note: For the first few uses of your grill, the temperature inside the cookbox may be hotter than shown in your cookbook because the surfaces of the cookbox are still reflective. Cooking conditions, such as wind and weather, may require adjustment of burner controls to obtain the correct cooking temperatures.

Note: If grill loses heat while cooking, refer to the troubleshooting section of this manual.

⚠ WARNING: Do not move the Weber® gas barbecue when operating or while barbecue is hot.

If burners go out during cooking, turn all burner knobs off and wait five minutes before relighting. ♦

COVERED COOKING

All grilling is done with the lid down to provide uniform, evenly circulated heat. With the lid closed, the gas grill cooks much like a convection oven. The thermometer in the lid indicates the cooking temperature inside the grill. All preheating and grilling is done with the lid down. No peeking — heat is lost every time you lift the lid. ♦

DRIPPINGS AND GREASE

The Flavorizer® bars are designed to “smoke” the correct amount of drippings for flavorful cooking. Excess drippings and grease will accumulate in the catch pan under the slide-out grease tray. Disposable foil drip pans are available that fit the catch pan.

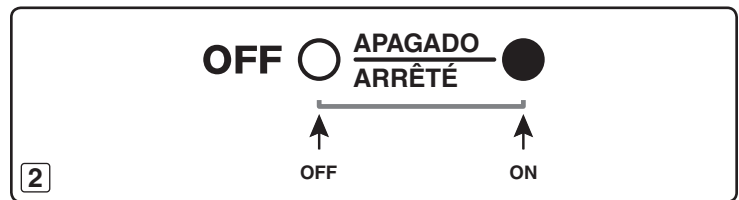
⚠ WARNING: Check the slide-out grease tray and catch pan for grease build-up before each use. Remove excess grease to avoid a grease fire in the slide-out grease tray. ♦

FLAVORIZER® SYSTEM

When meat juices drip from the food onto the specially angled Flavorizer® bars, they create smoke that gives foods an irresistible barbecued flavor. Thanks to the unique design of the burners, Flavorizer® bars and the flexible temperature controls, uncontrolled flare-ups are virtually eliminated, because YOU control the flames. Because of the special design of the Flavorizer® bars and burners, excess fats are directed through the slide-out grease tray into the grease catch pan. ♦

SEAR STATION®

Your Weber® gas barbecue may include a sear burner for searing thin meats and fish. The Sear Station® burner has an ON or OFF control setting (2) that works with the two adjacent main burners. With the sear and adjacent burners, you can effectively sear meats while using other cooking areas for cooking with moderate heat (refer to “SEAR STATION® IGNITION & USAGE”). ♦



COOKING METHODS

The most important thing to know about grilling is which cooking method to use for a specific food, direct or indirect. The difference is simple: place the food directly over the fire, or arrange the fire on either side of it. Using the right method is the shortest route to great results—and the best way to ensure doneness safely. ♦

DIRECT COOKING

The direct method, similar to broiling, means the food is cooked directly over the heat source. For even cooking, food should be turned once halfway through the grilling time. Use the direct method for foods that take less than 25 minutes to cook: steaks, chops, kabobs, sausages, vegetables, and more.

Direct cooking is also necessary to sear meats. Searing creates that wonderful crisp, caramelized texture where the food touches the grate. It also adds great color and flavor to the entire surface. Steaks, chops, chicken breasts, and larger cuts of meat all benefit from searing.

To sear meats, place them over direct high heat for two to five minutes per side. Smaller pieces require less searing time. Usually after searing the food, you finish cooking it at a lower temperature. You can finish cooking fast-cooking foods by the direct method; use the indirect method for longer-cooking foods.

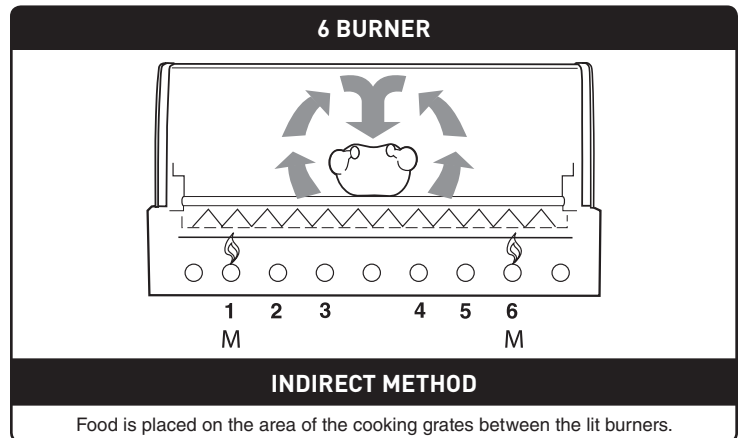
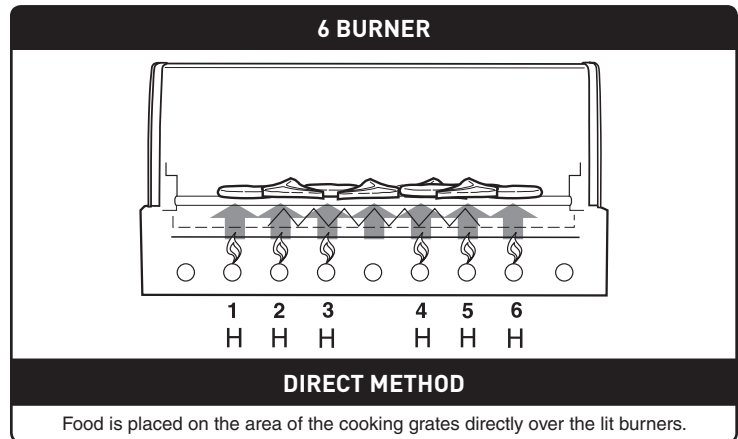
To set up your gas grill for direct cooking, preheat the grill with all burners on HI. Place food on the cooking grate, and then adjust all burners to the temperature noted in the recipe. Close the lid of the grill and lift it only to turn food or to test for doneness at the end of the recommended cooking time. ♦

INDIRECT COOKING

The indirect method is similar to roasting, but with the added benefits of that grilled texture, flavor, and appearance you can't get from cooking with an oven. To set up for indirect cooking, light gas burners on either side of the food but not directly beneath it. Heat rises, reflects off the lid and inside surfaces of the grill, and circulates to slowly cook the food evenly on all sides, much like a convection oven, so there's no need to turn the food.

Use the indirect method for foods that require 25 minutes or more of grilling time, or that are so delicate that direct exposure to the flame would dry them out or scorch them. Examples include roasts, ribs, whole chickens, turkeys, and other large cuts of meat, as well as delicate fish fillets.

To set up your gas grill for indirect cooking, preheat the grill with all burners on HI. Then adjust the burners on each side of the food to the temperature noted in the recipe, and turn off the burner(s) directly below the food. For best results, place roasts, poultry, or large cuts of meat on a roasting rack set inside a disposable, heavy-gauge foil pan. For longer cooking times, add water to the foil pan to keep drippings from burning. The drippings can be used to make gravies or sauces. ♦



SIDE BURNER IGNITION & USAGE

SIDE BURNER IGNITION

Summary lighting instructions are inside the left-hand cabinet door.

⚠ DANGER

Failure to open the lid while igniting the side burner, or not waiting five minutes to allow the gas to clear if the side burner does not light, may result in an explosive flare-up which can cause serious bodily injury or death.

- ⚠ **WARNING:** Check hose before each use of barbecue for nicks, cracking, abrasions or cuts. If the hose is found to be damaged in any way, do not use the barbecue. Replace using only Weber® authorized replacement hose. Contact the Customer Service Representative in your area using the contact information on our web site. Log onto www.weber.com®.

Note: The side burner has an inner burner ① and an outer burner ②. You must light the inner burner first using the igniter button. The outer burner ignites from the flame of the inner burner. Follow instructions below to ignite burners in correct sequence.

- A) Remove the side burner lid by pushing down slightly on front edge while lifting from back edge (1). (Store the side burner lid in your grill cabinet.)

- ⚠ **CAUTION:** Do not use lid as a cooking surface or a cutting surface.

- B) Push each side burner control knob in and turn clockwise to ensure that side burner valves are in the OFF position (2). Turn all burners not being used to the OFF position (push in and turn clockwise).

- C) Turn gas supply valve on (3).

Ignite Inner Burner

- A) Push in and turn the side burner control knob ① to START/Hi (4).

- ⚠ **WARNING:** Do not start the inner burner ① and outer burner ② at the same time. This could result in a flare up of flame or an explosion causing serious bodily injury or death and damage to property.

- B) Push the ignition button in (5). You will hear it clicking.

- ⚠ **CAUTION:** Side burner flame may be difficult to see on a bright sunny day.

- ⚠ **WARNING:** If the side burner does not light in five seconds:

- a) Turn off the side burner control valve, main burners and gas supply at source.
- b) Wait five minutes to let the gas clear before you try again, or try lighting with a match (refer to "SIDE BURNER MANUAL IGNITION").

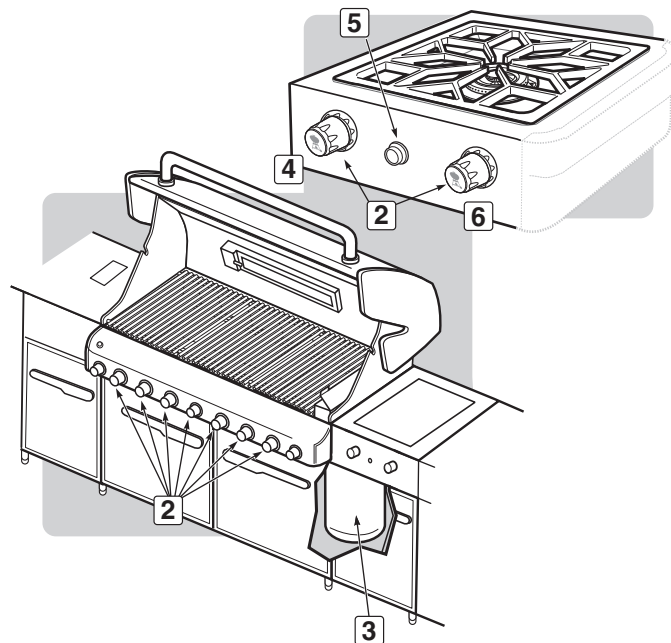
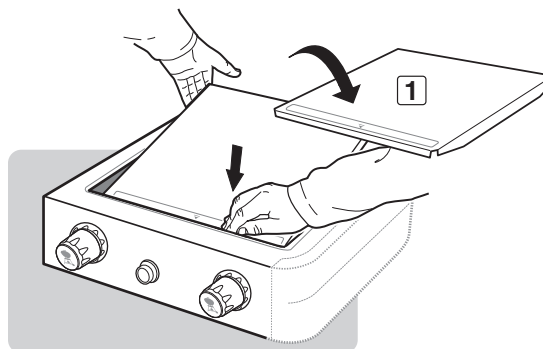
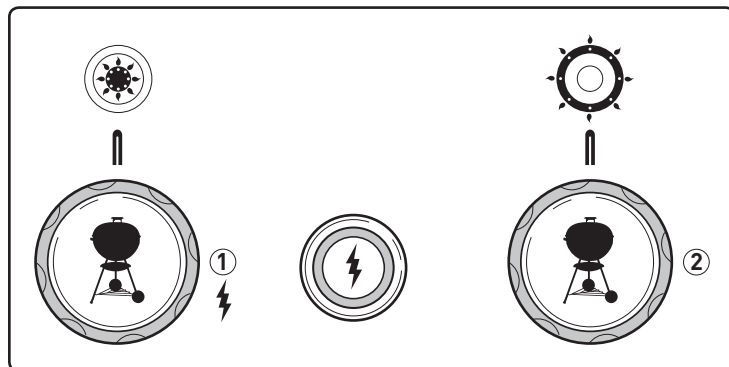
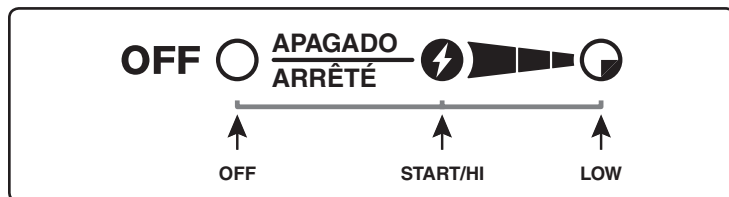
Ignite Outer Burner

- A) While inner burner is lit, push in and turn the side burner control knob ② to START/Hi (6).

- B) Adjust for cooking. ♦

TO EXTINGUISH

Push down and turn side burner control knobs to the OFF position. Be sure burner is off and cool before closing side burner lid. ♦



SIDE BURNER IGNITION & USAGE

SIDE BURNER MANUAL IGNITION

Summary lighting instructions are inside the left-hand cabinet door.

⚠ DANGER

Failure to open the lid while igniting the side burner, or not waiting five minutes to allow the gas to clear if the side burner does not light, may result in an explosive flare-up which can cause serious bodily injury or death.

- ⚠ **WARNING:** Check hose before each use of barbecue for nicks, cracking, abrasions or cuts. If the hose is found to be damaged in any way, do not use the barbecue. Replace using only Weber® authorized replacement hose. Contact the Customer Service Representative in your area using the contact information on our web site. Log onto www.weber.com®.

Note: The side burner has an inner burner ① and an outer burner ②. You must light the inner burner first using the igniter button. The outer burner ignites from the flame of the inner burner. Follow instructions below to ignite burners in correct sequence.

- A) Remove the side burner lid by pushing down slightly on front edge while lifting from back edge (1). (Store the side burner lid in your grill cabinet.)

⚠ **CAUTION:** Do not use lid as a cooking surface or a cutting surface.

- B) Push each side burner control knob in and turn clockwise to ensure that side burner valves are in the OFF position (2). Turn all burners not being used to the OFF position (push in and turn clockwise).

- C) Turn gas supply valve on (3).

Ignite Inner Burner

- A) Put match in a match holder and strike match.
B) Hold match holder and lit match by either side of the side burner (4).
C) Push in and turn the side burner control knob ① to START/Hi (5).

⚠ **WARNING:** Do not start the inner burner ① and outer burner ② at the same time. This could result in a flare up of flame or an explosion causing serious bodily injury or death and damage to property.

⚠ **CAUTION:** Side burner flame may be difficult to see on a bright sunny day.

⚠ **WARNING:** If the side burner does not light in five seconds:

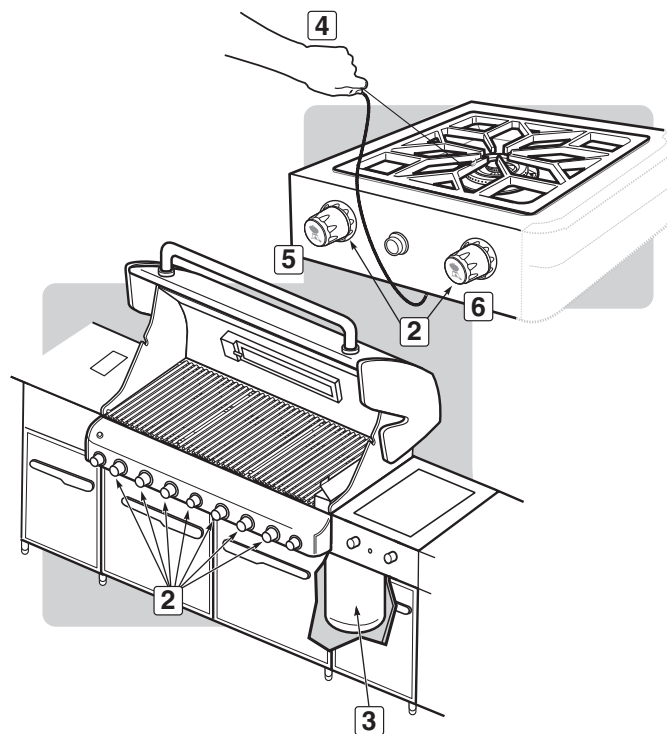
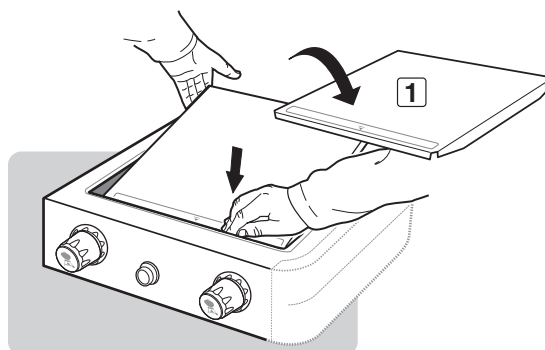
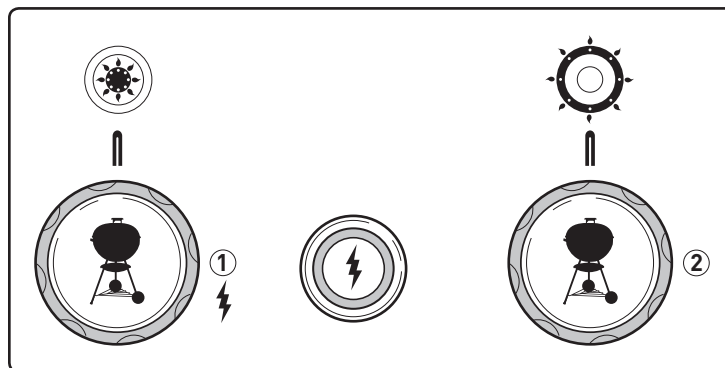
- Turn off the side burner control valve, main burners and gas supply at source.
- Wait five minutes to let the gas clear before you try again, or try lighting with a match (refer to "SIDE BURNER MANUAL IGNITION").

Ignite Outer Burner

- A) While inner burner is lit, push in and turn the side burner control knob ② to START/Hi (6).
B) Adjust for cooking. ♦

TO EXTINGUISH

Push down and turn side burner control knob to the OFF position. Be sure burner is off and cool before closing side burner lid. ♦



SIDE BURNER IGNITION & USAGE

SIDE BURNER USAGE

The side burner has two burner rings to control cooking temperature. Burner ①, the inside burner, cooks with a small flame and works best with smaller sauce pans and skillets. Burner ②, the outside burner, cooks with a large flame and works best with larger pans, pots, skillets, and woks. For more intense heat, you may utilize both burners at the same time.

Wok Cooking

The side burner also comes with a wok ring for wok cooking.

⚠ **IMPORTANT: Do not place a wok directly on the side burner. Only the Weber® wok accessory should be used when cooking on the included wok ring.**

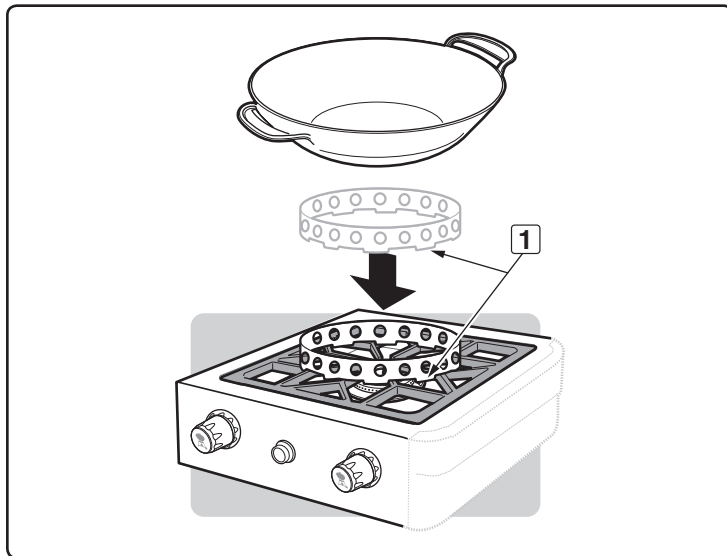
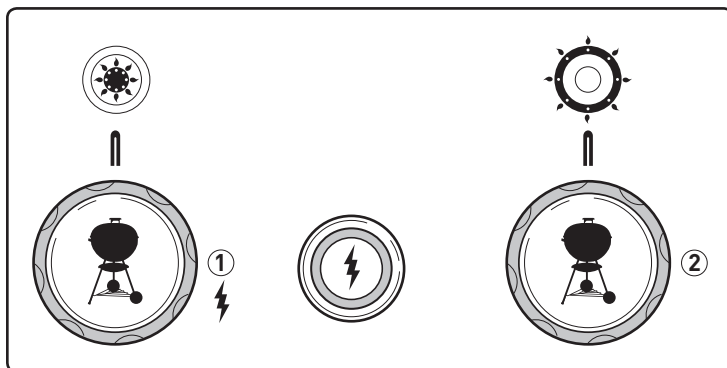
- A) Place the wok ring in position over the side burner grate, making sure that the locating tabs on the ring fit inside the gaps of the grate (1). The ring should rest level.

When not in use, ring can be stored in grill cabinet.

⚠ **WARNING: Only use a small amount of cooking oil when using the wok for stir frying. Excessive oil and temperature can cause a fire which can cause serious bodily injury or death and damage to property.**

⚠ DANGER

Do not use the side burner for deep frying with cooking oils. Cooking oil can reach a flash point causing a fire which will result in serious bodily injury or death and damage to property. ♦



SEAR STATION® IGNITION & USAGE

SEAR STATION® BURNER IGNITION

Summary lighting instructions are inside the left-hand cabinet door.

⚠ DANGER

Failure to open the lid while igniting the barbecue's burners, or not waiting five minutes to allow the gas to clear if the barbecue does not light, may result in an explosive flare-up which can cause serious bodily injury or death.

The Sear Station® burner has an on or off control setting. To ignite the Sear Station® burner, you must first ignite the two adjacent main burners.

Adjacent Main Burner Snap Ignition

Note: Each main burner control knob snap igniter creates a spark from the igniter electrode to the burner lighting tube. You generate the energy for the spark by pushing in the control knob and turning it to START/Hi. This will ignite each individual burner.

⚠ **WARNING: Check hose before each use of barbecue for nicks, cracking, abrasions or cuts. If the hose is found to be damaged in any way, do not use the barbecue. Replace using only Weber® authorized replacement hose. Contact the Customer Service Representative in your area using the contact information on our web site. Log onto www.weber.com®.**

- A) Open the lid (1).
- B) Make sure all burner control knobs are turned off (2). (Push control knob in and turn it clockwise to ensure that it is in the OFF position.)

⚠ **WARNING: The burner control knobs must be in the OFF position before turning on the liquid propane cylinder tank valve. If they are not in the OFF position, when you turn on the LP cylinder valve, the "excess gas flow control" feature will activate, limiting the flow of gas from the LP cylinder. If this should occur, turn off the LP cylinder valve and burner control knobs. Start over.**

⚠ DANGER

When the "excess gas flow control" feature is activated, a small amount of gas is still flowing to the burners. After turning off the cylinder and burner control knobs, wait at least five minutes for the gas to clear before attempting to light the grill. Failure to do so may result in an explosive flare-up, which can cause serious bodily injury or death.

- C) Turn the cylinder on by turning the cylinder valve counterclockwise (3).

⚠ **WARNING: Do not lean over the open barbecue.**

- D) Ignite each main burner that is adjacent to the Sear Station® (4). Push the control knob in and turn it to START/Hi until you hear the igniter snap; continue to hold control knob in for two seconds. This action will spark the igniter, the burner lighting tube, and then main burner.
- E) Check that the burner is lit by looking through the cooking grates (5). You should see a flame. If burner does not light on first try, push control knob in and turn it to OFF. Repeat lighting procedure a second time.

Sear Station® Burner Lighting: Ignition by an Adjacent Ignited Main Burner

- F) Turn Sear Station® burner control knob to the ON position (6).
- G) Verify burner ignition by visual inspection of a flame (7).

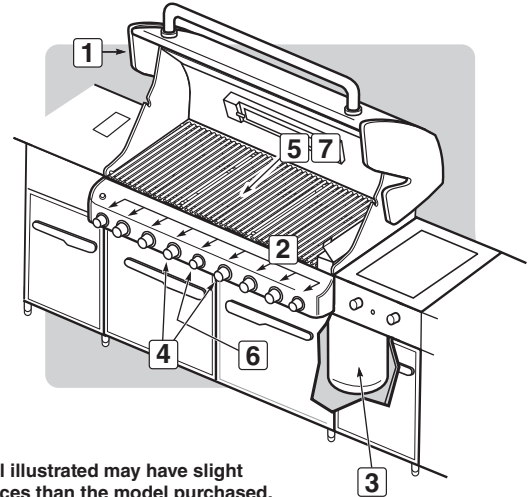
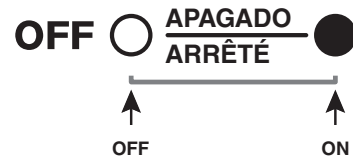
⚠ **WARNING: If ignition does not occur in five seconds, turn burner control OFF, wait five minutes, and repeat steps F & G, or see "SEAR STATION® BURNER MANUAL IGNITION" instructions.**

⚠ **WARNING: If the burner still does not light, turn the burner control knob to OFF and wait five minutes to let the gas clear before you try again or try to light with a match.**

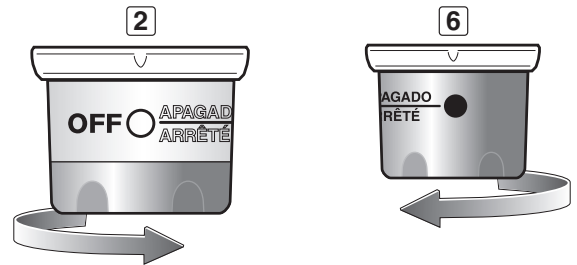
Note: See "MAINTENANCE" for burner removal and cleaning procedure. ♦

TO EXTINGUISH

Push in and turn each burner control knob clockwise to OFF position. Turn gas supply off at the source. ♦



The grill illustrated may have slight differences than the model purchased.



SEAR STATION® IGNITION & USAGE

SEAR STATION® BURNER MANUAL IGNITION

⚠ DANGER

Failure to open the lid while igniting the barbecue's burners, or not waiting five minutes to allow the gas to clear if the barbecue does not light, may result in an explosive flare-up which can cause serious bodily injury or death.

The Sear Station® burner, has an on or off control setting. To ignite the Sear Station® burner, you must first ignite the two adjacent main burners.

Adjacent Main Burner Snap Ignition

Note: Each main burner control knob snap igniter creates a spark from the igniter electrode to the burner lighting tube. You generate the energy for the spark by pushing in the control knob and turning it to START/HI. This will ignite each individual burner.

- Open the lid (1).
- Verify each main burner that is adjacent to the Sear Station® is lit by visual inspection of a flame (2).

- Put match in the matchstick holder and strike match.

⚠ WARNING: Do not lean over open barbecue.

- Insert matchstick holder and lit match down through cooking grates and Flavorizer® bars to ignite the Sear Station® burner (3).

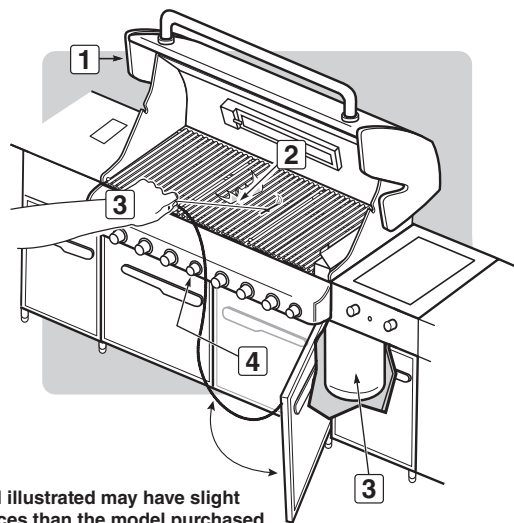
- Push the Sear Station® control knob in and turn it to the ON position (4).

⚠ WARNING: If the burner does not light, turn the burner control knob to OFF and wait five minutes to let the gas clear before you try again.

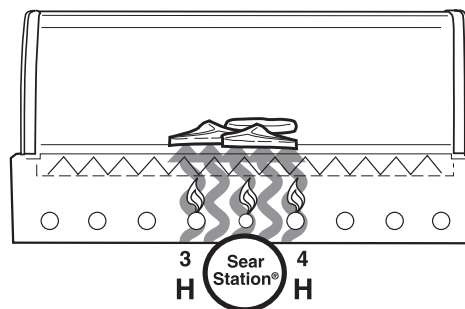
Note: See "MAINTENANCE" for burner removal and cleaning procedure. ♦

TO EXTINGUISH

Push in and turn each burner control knob clockwise to OFF position. Turn gas supply off at the source. ♦



6 BURNER



SEAR METHOD

Food is placed in the area of intense heat between the lit burners.

USING THE SEAR STATION®

Your Weber® gas barbecue includes a sear burner for searing meats such as steak, poultry parts, fish, and chops.

Searing is a direct grilling technique which browns the surface of the food at a high temperature. By searing or browning both sides of the meat, you will create a more desirable flavor by caramelizing the food surface. Searing will also enhance appearance of the meat with sear marks from the cooking grates. This, along with the contrast of textures and flavors, can make food more interesting to the palate.

The Sear Station® burner has an on or off control setting that works with the two adjacent main burners. With the sear and adjacent burners, you can effectively sear meats while using other cooking areas for grilling with moderate heat.

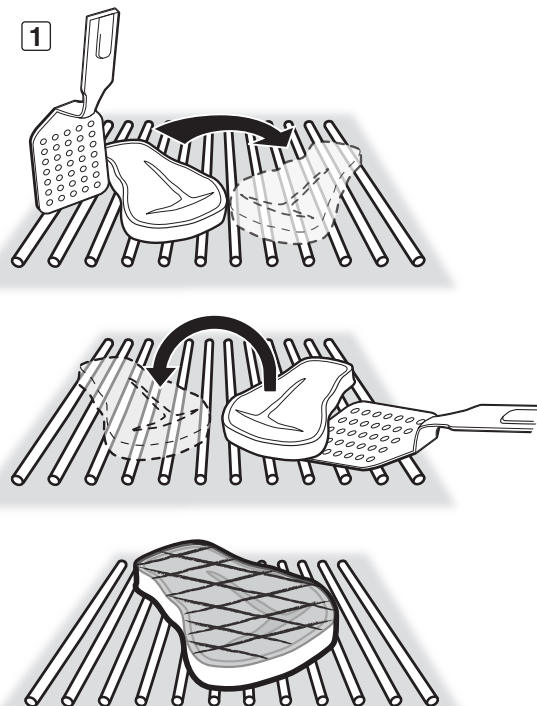
Before searing food, you should turn all of the main burners on HI for 15 minutes to preheat the grill. *Note: Always grill with the lid closed to allow for maximum heat and to avoid flare-ups.*

Once the grill is preheated, turn the outer burners off or down to low. Leave the center two burners on HI and ignite the Sear Station® burner.

Place the meat directly over the Sear Station®. You will sear each side anywhere from one to four minutes, depending on the type and thickness of the meat. You may turn the food a quarter turn to make crossing sear marks (1) before you sear the other side in the same manner.

Once you are done searing the meat, you can finish grilling it by moving it to a more moderate heat over the outside burners to achieve the desired doneness.

As you gain experience in using your Sear Station®, we encourage you to experiment with different searing times to find results that work best for your taste. ♦



SMOKER BURNER IGNITION & USAGE

SMOKER BURNER IGNITION

⚠ DANGER

Failure to open the lid while igniting the grill, or not waiting five minutes to allow the gas to clear if the grill does not light, may result in an explosive flare-up which can cause serious bodily injury or death.

Smoker Burner Snap Ignition

Note: The control knob snap igniter creates a spark from the igniter electrode to the burner lighting tube. You generate the energy for the spark by pushing in the control knob and turning it to START/Hi. This will ignite the smoker burner.

⚠ **WARNING:** Check hose before each use of grill for nicks, cracking, abrasions or cuts. If the hose is found to be damaged in any way, do not use the grill. Replace using only Weber® authorized replacement hose. Contact the Customer Service Representative in your area using the contact information on our web site. Log onto www.weber.com®.

- A) Open the grill lid (1).
- B) Open smoker box lid (2).
- C) Fill smoker with water-soaked wood chunks or chips (3).
- D) Make sure that all burner control knobs not being used are turned to OFF (4). (Push control knob in and turn it clockwise to ensure that it is in the OFF position.)

⚠ **WARNING:** The burner control knobs must be in the OFF position before turning on the liquid propane cylinder tank valve. If they are not in the OFF position, when you turn on the LP cylinder valve, the “excess gas flow control” feature will activate, limiting the flow of gas from the LP cylinder. If this should occur, turn off the LP cylinder valve and burner control knobs. Start over.

⚠ DANGER

When the “excess gas flow control” feature is activated, a small amount of gas is still flowing to the burners. After turning off the cylinder and burner control knobs, wait at least five minutes for the gas to clear before attempting to light the grill. Failure to do so may result in an explosive flare-up, which can cause serious bodily injury or death.

- E) Turn the cylinder on by turning the cylinder valve counterclockwise (5).
- ⚠ **WARNING:** Do not lean over the open grill while lighting.
- F) Push the control knob in and turn it to START/Hi until you hear the igniter snap (6); continue to hold control knob in for two seconds. This action will spark the igniter, the burner lighting tube, and then smoker burner.
- G) Check that the burner is lit by looking through the cooking grates (7). You should see a flame. If burner does not light on first try, push control knob in and turn it to OFF. Repeat lighting procedure a second time.

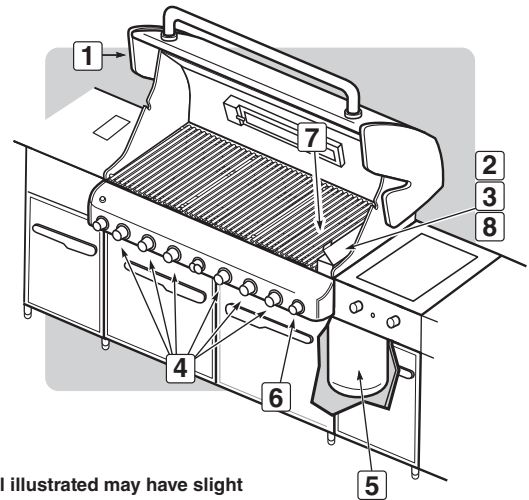
⚠ DANGER

If the smoker burner still does not light, turn the burner control knob to OFF and wait five minutes to let the gas clear before you try again, or try lighting with a match (see “SMOKER BURNER MANUAL IGNITION”).

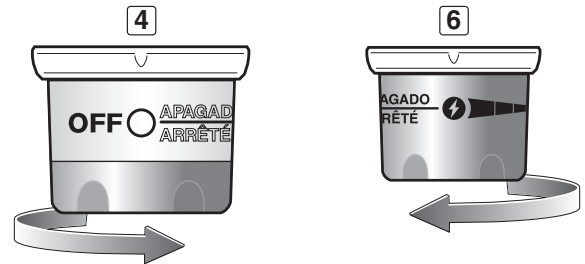
- H) Close smoker box lid (8) after wood starts to smolder and turn control knob to LOW. ♦

TO EXTINGUISH

Push in and turn each burner control knob clockwise to OFF position. Turn gas supply off at the source. ♦



The grill illustrated may have slight differences than the model purchased.



SMOKER BURNER IGNITION & USAGE

SMOKER BURNER MANUAL IGNITION

⚠ WARNING: Check hose before each use of grill for nicks, cracking, abrasions or cuts. If the hose is found to be damaged in any way, do not use the grill. Replace using only Weber® authorized replacement hose. Contact the Customer Service Representative in your area using the contact information on our web site. Log onto www.weber.com®.

A) Open the lid (1).

⚠ DANGER

Failure to open the lid while igniting the grill, or not waiting five minutes to allow the gas to clear if the grill does not light, may result in an explosive flare-up which can cause serious bodily injury or death.

B) Open smoker box lid (2).

C) Fill smoker with water-soaked wood chunks or chips (3).

D) Make sure that all burner control knobs not being used are turned to OFF (4). (Push control knob in and turn it clockwise to ensure that it is in the OFF position.)

⚠ WARNING: The burner control knobs must be in the OFF position before turning on the liquid propane cylinder tank valve. If they are not in the OFF position, when you turn on the LP cylinder valve, the “excess gas flow control” feature will activate, limiting the flow of gas from the LP cylinder. If this should occur, turn off the LP cylinder valve and burner control knobs. Start over.

⚠ DANGER

When the “excess gas flow control” feature is activated, a small amount of gas is still flowing to the burners. After turning off the cylinder and burner control knobs, wait at least five minutes for the gas to clear before attempting to light the grill. Failure to do so may result in an explosive flare-up, which can cause serious bodily injury or death.

E) Turn the cylinder on by turning the cylinder valve counterclockwise (5).

F) Put a match in the matchstick holder and strike the match.

G) Insert matchstick holder and lit match down through cooking grates and Flavorizer® bars to ignite smoker burner (6).

⚠ WARNING: Do not lean over the open grill while lighting.

H) Push smoker burner control knob in and turn it to START/HI (7).

I) Check that the burner is lit by looking down through the cooking grate (8).

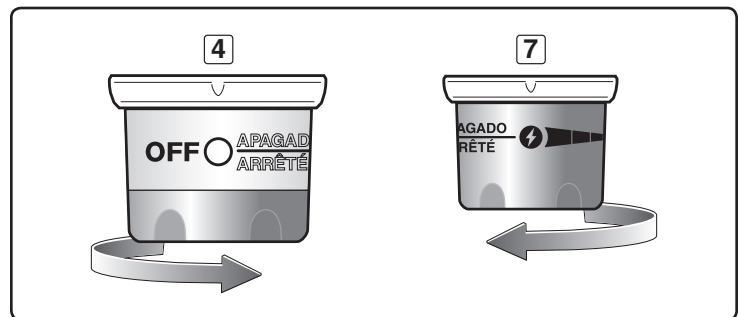
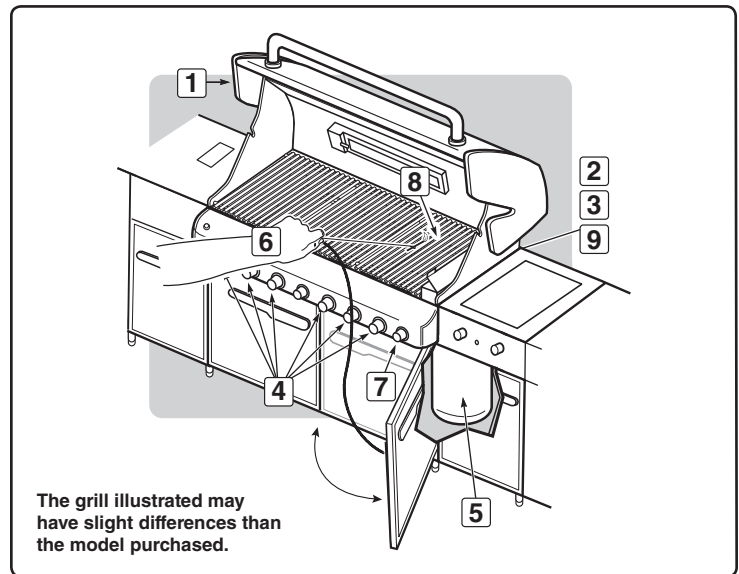
⚠ DANGER

If the smoker burner does not light, turn the burner control knob to OFF and wait five minutes to let the gas clear before you try again.

J) Close smoker box lid (9) after wood starts to smolder and turn control knob to LOW. ♦

TO EXTINGUISH

Push in and turn each burner control knob clockwise to OFF position. Turn gas supply off at the source. ♦



SMOKER BURNER IGNITION & USAGE

USING THE SMOKER

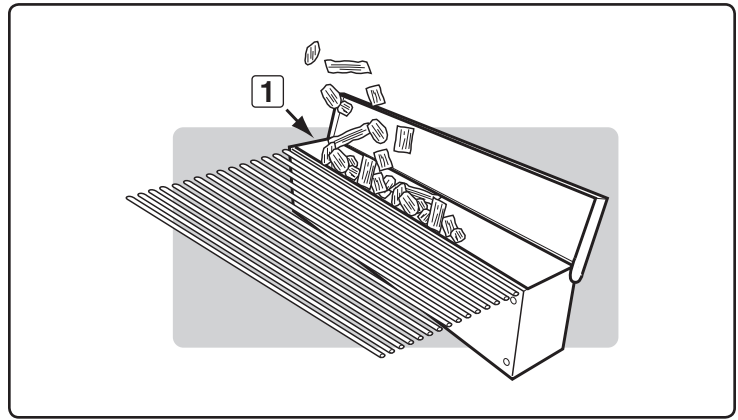
The smoker uses presoaked wood chips. For best results with faster cooking foods like steaks, burgers, and chops, etc., we recommend using finer wood chips because they ignite and create smoke faster. For longer cooking foods such as roasts, chicken, and turkeys, etc., we recommend using larger wood chunks because they ignite slowly and provide smoke for a longer period of time. As you gain experience in using your smoker, we encourage you to experiment with different combinations of wood chips and chunks to find the smoke flavor that best suits your taste.

As a starting point, soak wood chips in water for at least 30 minutes before using. (Wet wood will produce more smoke flavor.) Place a handful of wood chips or a few larger chunks in the bottom of the smoker body (1). As you gain experience in smoking, increase or decrease the amount of wood to suit your taste.

Note: Always grill with the lid closed to allow the smoke to fully penetrate the food. Light the smoker burner by following the instructions for "SMOKER BURNER IGNITION." After wood starts to smolder, turn control knob to LOW.

Smoke will start in approximately 10 minutes and last as long as 45 minutes. If you require more smoke flavor, refill the smoker with wood chips and/or chunks. Keep the lid of the grill closed while cooking.

Note: After refilling smoker, smoke will take about 10 to 15 minutes to start again. The smoker may be used to enhance meat, poultry, and fish recipes. Cook with the lid down according to the times indicated in charts or recipes.



⚠ DANGER

Do not use any flammable fluid in the smoker to ignite the wood. This will cause serious bodily injury. ♦

CLEANING THE SMOKER

Before each use, empty the smoker of ash to allow proper air flow.

Note: Smoking will leave a "smoke" residue on the surface of the smoker. This residue cannot be removed and will not affect the function of the smoker. To a lesser degree, a "smoke" residue will accumulate on the inside of your gas grill. This residue need not be removed and will not adversely affect the function of your gas grill. ♦

ROTISSERIE BURNER IGNITION & USAGE

ROTISSERIE BURNER IGNITION

Rotisserie Burner Snap Ignition

Note: Each control knob igniter creates a spark from the igniter electrode to the burner lighting tube. You generate the energy for the spark by pushing in the control knob and turning it to START/HI. This will ignite each individual burner.

⚠ ATTENTION: READ BEFORE LIGHTING ROTISSERIE BURNER

After a period of non-use, before lighting the rotisserie burner, a few seconds must pass for the gas supply line to fill.

When using the snap igniter you will see a flash of flames moving from left to right across the rotisserie burner surface. The rotisserie burner is not lit until the entire ceramic surface is aflame.

At this point, start a count of twenty seconds before releasing the rotisserie burner control knob.

The rotisserie burner surface will glow red once the burner is fully ignited.

⚠ DANGER

Failure to open the lid while igniting the grill, or not waiting five minutes to allow the gas to clear if the grill does not light, may result in an explosive flare-up which can cause serious bodily injury or death.

⚠ CAUTION: The rotisserie burner flame may be difficult to see on a bright sunny day.

⚠ WARNING: Check hose before each use of grill for nicks, cracking, abrasions or cuts. If the hose is found to be damaged in any way, do not use the grill. Replace using only a Weber® authorized replacement hose. Contact the Customer Service Representative in your area using the contact information on our web site. Log onto www.weber.com®.

- A) Open the lid (1).
- B) Remove the warming rack and the cooking grates from the cookbox (2).
- C) Make sure all burner control knobs are turned off (3). (Push control knob in and turn it clockwise to ensure that it is in the OFF position.)

⚠ WARNING: The burner control knobs must be in the OFF position before turning on the liquid propane cylinder tank valve. If they are not in the OFF position, when you turn on the LP cylinder valve, the “excess gas flow control” feature will activate, limiting the flow of gas from the LP cylinder. If this should occur, turn off the LP cylinder valve and burner control knobs. Start over.

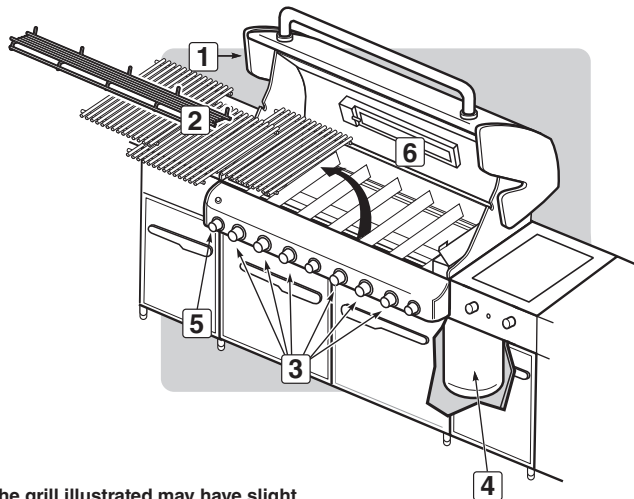
⚠ DANGER

When the “excess gas flow control” feature is activated, a small amount of gas is still flowing to the burners. After turning off the cylinder and burner control knobs, wait at least five minutes for the gas to clear before attempting to light the grill. Failure to do so may result in an explosive flare-up, which can cause serious bodily injury or death.

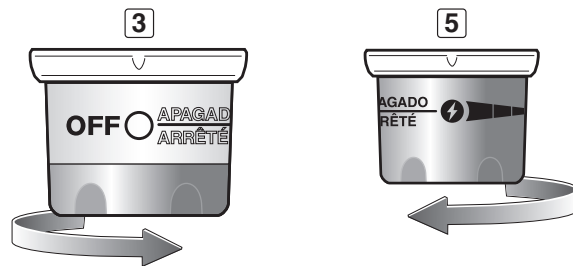
- D) Turn the cylinder on by turning the cylinder valve counterclockwise (4).

⚠ WARNING: Do not lean over the open grill.

- E) Push the control knob in and turn it to START/HI (5). This action will spark the igniter and light the rotisserie burner. Continue to use the snap igniter until the rotisserie burner has ignited. Continue to hold the control knob down until twenty seconds after the burner has ignited. Release the control knob.



The grill illustrated may have slight differences than the model purchased.



- F) Check that the burner is lit by looking for the rotisserie burner to glow red (6).

⚠ WARNING: If the rotisserie burner does not light, turn the burner control knob to OFF and wait five minutes to let the gas clear before you try again or try to light with a match.

Note: When using the rotisserie with the lid closed, only light two of the main burners on each side of the food (see “COOKING METHODS—INDIRECT COOKING”). Check your food periodically to prevent it from overcooking on the outside. Turn off the rotisserie burner once the food has browned to the desired color. Finish cooking it on indirect heat. ♦

TO EXTINGUISH

Push in and turn each burner control knob clockwise to OFF position. Turn gas supply off at the source. ♦

ROTISSERIE BURNER IGNITION & USAGE

ROTISSERIE BURNER MANUAL IGNITION

⚠ ATTENTION: READ BEFORE LIGHTING ROTISSERIE BURNER

After a period of non-use, before lighting the rotisserie burner, a few seconds must pass for the gas supply line to fill. When holding a match to the rotisserie burner you will see a flash of flames moving from left to right across the rotisserie burner surface. The rotisserie burner is not lit until the entire ceramic surface is aflame. At this point, start a count of twenty seconds before releasing the rotisserie burner control knob. The rotisserie burner surface will glow red once the burner is fully ignited.

⚠ DANGER

Failure to open the lid while igniting the grill, or not waiting five minutes to allow the gas to clear if the grill does not light, may result in an explosive flare-up which can cause serious bodily injury or death.

⚠ CAUTION: The rotisserie burner flame may be difficult to see on a sunny day.

⚠ WARNING: Check hose before each use of grill for nicks, cracking, abrasions or cuts. If the hose is found to be damaged in any way, do not use the grill. Replace using only a Weber® authorized replacement hose. Contact the Customer Service Representative in your area using the contact information on our web site. Log onto www.weber.com®.

- A) Open the lid (1).
- B) Remove the warming rack and the cooking grates from the cookbox (2).
- C) Make sure all burner control knobs are turned off (3). (Push control knob down and turn it clockwise to ensure that it is in the OFF position.)

⚠ WARNING: The burner control knobs must be in the OFF position before turning on the liquid propane cylinder tank valve. If they are not in the OFF position, when you turn on the LP cylinder valve, the “excess gas flow control” feature will activate, limiting the flow of gas from the LP cylinder. If this should occur, turn off the LP cylinder valve and burner control knobs. Start over.

⚠ DANGER

When the “excess gas flow control” feature is activated, a small amount of gas is still flowing to the burners. After turning off the cylinder and burner control knobs, wait at least five minutes for the gas to clear before attempting to light the grill. Failure to do so may result in an explosive flare-up, which can cause serious bodily injury or death.

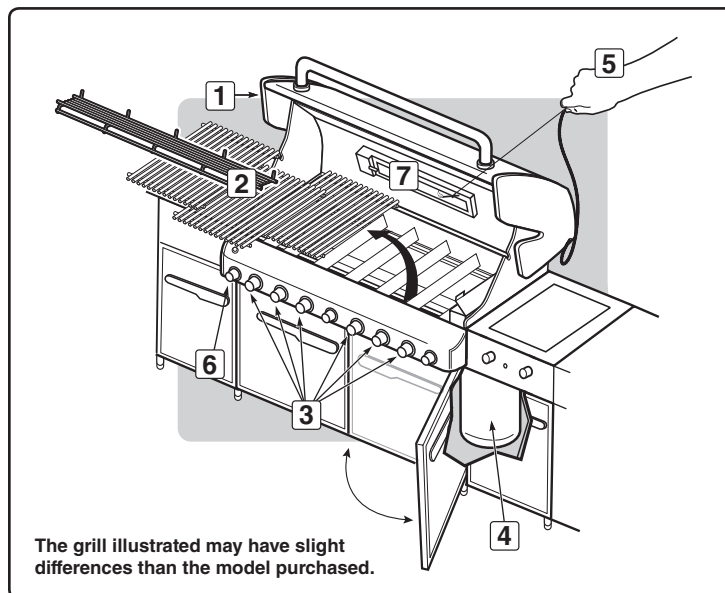
- D) Turn the cylinder on by turning the cylinder valve counterclockwise (4).
- E) Put a match in the matchstick holder and strike the match.
- F) Hold matchstick holder and lit match by right side of rotisserie burner (5).

⚠ WARNING: Do not lean over the open grill.

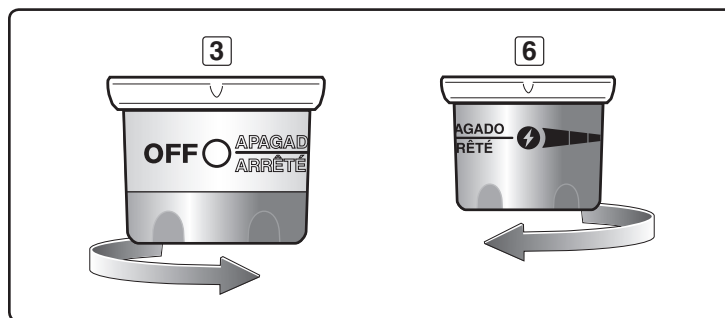
- G) Push rotisserie burner control knob down and turn it to START/HI (6). Continue to hold the control knob down until twenty seconds after the burner has ignited.
- H) Check that the burner is lit by looking for the rotisserie burner to glow red (7).

⚠ WARNING: If the rotisserie burner does not light, turn the burner control knob to OFF and wait five minutes to let the gas clear before you try again.

Note: When using the rotisserie with the lid closed, only light two of the main burners under the food (see “COOKING METHODS—INDIRECT COOKING”). Check your food periodically to prevent it from overcooking on the outside. Turn off the rotisserie burner once the food has browned to the desired color. Finish cooking it on indirect heat. ♦



The grill illustrated may have slight differences than the model purchased.



TO EXTINGUISH

Push in and turn each burner control knob clockwise to OFF position. Turn gas supply off at the source. ♦

ROTISSERIE BURNER IGNITION & USAGE

IMPORTANT SAFEGUARDS

Note: Before using your rotisserie, measure your food at the widest point. If it exceeds 9½" (241.8 mm), it is too large to fit the rotisserie. If it is too large, food can be prepared using a roast holder and the indirect cooking method.

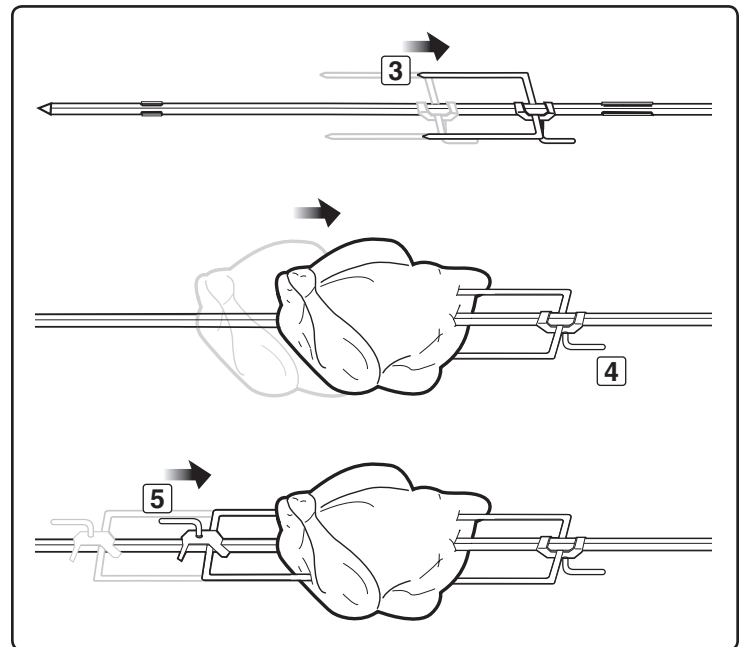
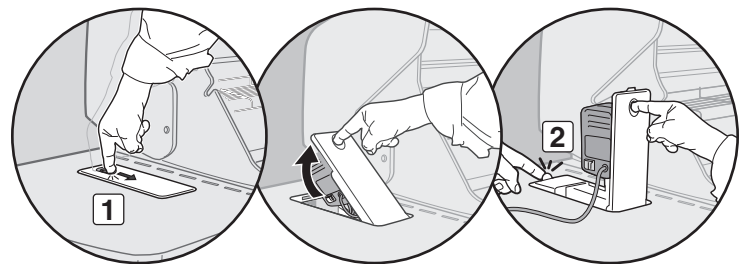
⚠ WARNINGS

- ⚠ Read all instructions before using your rotisserie.
- ⚠ This rotisserie is for outdoor use only.
- ⚠ Remove motor and store in a dry place when not in use.
- ⚠ Do not touch hot surfaces. Use barbecue mitts.
- ⚠ This rotisserie is not for use by children.
- ⚠ To protect against electrical hazards do not immerse cord, plugs, or motor in water or other liquids.
- ⚠ Unplug the motor from outlet when not in use or before cleaning.
- ⚠ Do not use rotisserie for other than intended use.
- ⚠ Make sure motor is off before placing it on the motor bracket.
- ⚠ Do not operate the rotisserie motor with a damaged cord or plug.
- ⚠ Do not operate the rotisserie motor if it should malfunction.
- ⚠ The rotisserie motor is equipped with a three prong (grounding) power cord for your protection against shock hazard.
- ⚠ The power cord should be plugged directly into a properly grounded three prong receptacle. If use of an extension cord is required, be sure that it is a minimum 16 AWG (1.3 mm), 3-wire, well insulated cord marked for OUTDOOR USE ONLY and properly grounded.
- ⚠ When using an extension cord, make sure it is not in contact with a hot or sharp surface.
- ⚠ Outdoor extension cords should be marked with the letters "W-A" and a tag stating "Suitable for use with outdoor appliances."
- ⚠ Do not cut or remove the grounding prong from the rotisserie motor power cord.
- ⚠ Do not let cord hang over any sharp edge or hot surface.
- ⚠ Do not expose to rain.
- ⚠ To reduce the risk of electric shock, keep extension cord connection dry and off the ground.
- ⚠ A short power cord is supplied to reduce the risk of tripping over the cord. Extension cords may be used, but caution must be taken to prevent tripping over the cord.
- ⚠ In absence of local codes the rotisserie motor must be grounded electrically in accordance with the National Electric Code, ANSI / NFPA 70, or Canadian Electrical Code, CSA C22.1. ♦

OPERATING THE ROTISSERIE

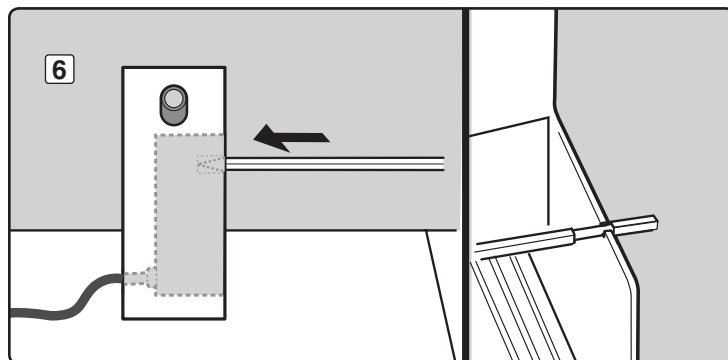
⚠ **WARNING: Set up the rotisserie with food before lighting rotisserie burner.**

- A) To set up rotisserie motor, push the button on the retractable rotisserie panel (1). Pull rotisserie panel upwards. Push locking tab (2) until it snaps into place.
- B) Remove power cord and plug into power source.
- ⚠ **CAUTION: Do not route rotisserie motor power cord through the retractable rotisserie opening in the side table.**
- ⚠ **CAUTION: Inspect power cord before each use. If cord is damaged, do not use. Contact the Customer Service Representative in your area using the contact information on our web site. Log onto www.weber.com®.**
- C) Slide one of the spit forks towards the right side of the rotisserie shaft, making sure that the spikes face to the left and the fork screw faces down (3).
- D) Push the rotisserie shaft through the center of the food. Insert the tines of both spit forks into the food. The food should be centered on the shaft. Tighten the spit fork screw (4).
- E) Slide another spit fork onto the rotisserie shaft, making sure that the spikes face to the right and the fork screw faces up. Insert the tines of both spit forks into the food. Tighten the spit fork screw (5).



ROTISSERIE BURNER IGNITION & USAGE

- F) Insert the pointed end of the rotisserie shaft into the motor. Lower the rotisserie spit into the grooves on the cookbox (6).
- G) The rotisserie shaft should rotate so that the heavy side of the meat or poultry rotates down to the bottom. Large cuts may require the removal of the cooking grates and warming rack to allow full rotation of the shaft. Remount the food if necessary for better balance.
- H) Turn the motor on. ♦



ROTISSERIE COOKING

- Meats (except poultry and ground meat) should be brought to room temperature before cooking. (20 to 30 minutes should be adequate for most foods. If frozen, defrost completely before cooking.)
- Tie meat or poultry with a string, if necessary, to make the shape as uniform as possible before putting it on the spit.
- Remove cooking grates and warming rack to allow food to turn freely.
- Follow lighting instructions for rotisserie burner.
- Set rotisserie burner on medium-high, based on outside air temperatures.
- Place food within area of burner.
- If you wish to save drippings for gravy, place a drip pan directly under the food on top of the Flavorizer® bars.
- Food preparation steps are the same for rotisserie cooking as for regular cooking.
- All cooking is done with the lid closed.
- If foods are too heavy or are irregular shapes, they may not rotate well and should be cooked by the indirect method without using the rotisserie.
- Smoker can be used in conjunction with rotisserie for more smoke flavor.

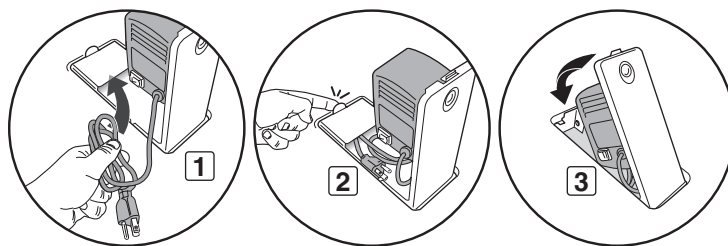
Note: When using the rotisserie burner, grill thermometer will not reflect the temperature inside the cooking box. ♦

ROTISSERIE MOTOR STORAGE

- A) Before retracting rotisserie back into the side table, unplug the power cord and carefully place plug/power cord into the storage area of the retractable rotisserie assembly (1).

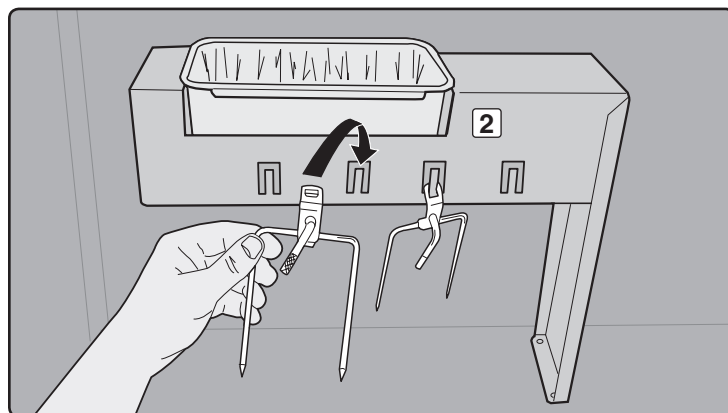
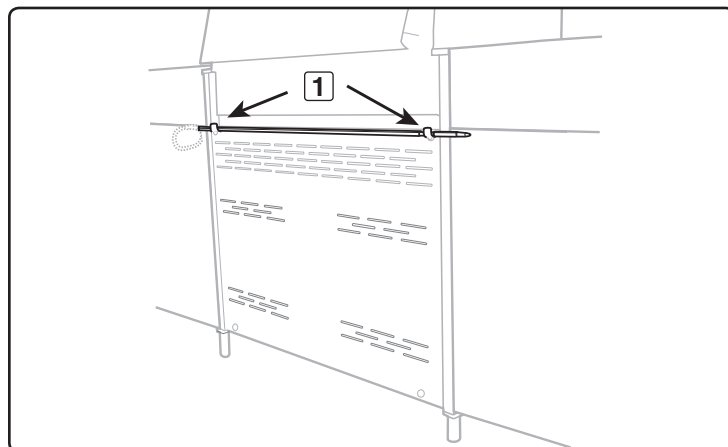
⚠ CAUTION: Failure to properly store the rotisserie power cord may result in damage to the power cord when opening and closing the retractable rotisserie panel.

- B) Using your index finger, disengage retractable rotisserie panel (2). Push panel down until it snaps securely in place (3). ♦



ROTISSERIE SPIT STORAGE

- A) Remove forks from rotisserie spit. Replace rotisserie shaft handle. Use the Rotisserie spit storage brackets on the rear panel to store the rotisserie spit (1).
- B) Store rotisserie forks by placing them on the hooks located on the catch pan holder within the grill cabinet (2). ♦



TROUBLESHOOTING

PROBLEM	CHECK	SOLUTION
Burners burn with a yellow or orange flame, in conjunction with the smell of gas. (This is normal for the burner lighting tube.)	Inspect spider/insect screens for possible obstructions. (Blockage of holes.)	Clean spider/insect screens. Refer to "ANNUAL MAINTENANCE."
Symptoms: Burners do not light. OR Burners have a small, flickering flame in the HI position. OR Barbecue temperature only reaches 250° to 300° in the HI position.	The excess flow safety device, which is part of the barbecue to cylinder connection, may have been activated.	To reset the excess flow safety device, turn all burner control knobs and the cylinder valve off. Disconnect the regulator from the cylinder. Turn burner control knobs to HI. Wait at least one minute. Turn burner control knobs to OFF. Reconnect the regulator to the cylinder. Turn cylinder valve on slowly. Refer to "MAIN BURNER IGNITION."
Burner does not light. OR Flame is low in HI position.	Is LP fuel low or empty?	Refill LP cylinder.
	Is fuel hose bent or kinked?	Straighten fuel hose.
	Does burner light with a match?	Clean burners. Refer to "MAINTENANCE."
	Did you use the snap igniter several times until the main burner lit? Refer to "MAIN BURNER IGNITION."	Make sure to hold the control knob in for two seconds after snapping the igniter and seeing the orange flame from the burner lighting tube.
	Does the igniter work? Do you see a spark when you repeatedly use the snap igniter?	Try manually lighting the burner. Refer to "MAIN BURNER MANUAL IGNITION." Call Customer Service.
Experiencing flare-ups: ⚠ CAUTION: Do not line the slide-out grease tray with aluminum foil.	Are you preheating barbecue in the prescribed manner?	Turn all burners on HI for 10 to 15 minutes for preheating.
	Are the cooking grates and Flavorizer® bars heavily coated with burned-on grease?	Clean thoroughly. Refer to "CLEANING."
	Is the slide-out grease tray "dirty" and not allowing grease to flow into catch pan?	Clean slide-out grease tray.
Burner flame pattern is erratic. Flame is low when burner is on HI. Flames do not run the whole length of the burner tube.	Are burners clean?	Clean burners. Refer to "MAINTENANCE."
Inside of lid appears to be "peeling." (Resembles paint peeling.)	The lid is porcelain enamel or stainless steel, not paint. It cannot "peel." What you are seeing is baked-on grease that has turned to carbon and is flaking off. THIS IS NOT A DEFECT.	Clean thoroughly. Refer to "CLEANING."
Cabinet doors are not aligned.	Check the adjustment pin on the bottom of each door.	Loosen adjustment nut/s. Slide door/s until aligned. Tighten nut/s.
Barbecue seems to lose heat when cooking in cold weather temperatures of 50°F or colder.	Is there frost/ice on the outside of the LP cylinder?	The liquid propane in the cylinder turns to vapor too slowly to supply the burners with gas. This is due to the air temperature cooling the LP cylinder, which slows the vaporization process. Turn off burner control knobs and the LP cylinder. Replace with a spare LP cylinder and resume cooking.
If problems cannot be corrected by using these methods, please contact the Customer Service Representative in your area using the contact information on our web site. Log onto www.weber.com ®.		

SIDE BURNER TROUBLESHOOTING

PROBLEM	CHECK	SOLUTION
Side Burner does not light.	Is gas supply off? The excess flow safety device, which is part of the barbecue to cylinder connection, may have activated.	Turn gas supply on. To reset the excess flow safety device close the LP tank valve and turn all burner control knobs to the OFF position. Open the grill and side burner lids. Slowly turn the LP tank valve until it is completely open. Wait several seconds then ignite your side burner. Refer to "SIDE BURNER IGNITION"
Flame is low in HI position.	Is the fuel hose bent or kinked?	Straighten hose.
Push button ignition does not work.	Does burner light with a match?	If match lights burner, check igniter. Refer to "SIDE BURNER MAINTENANCE"
If problems cannot be corrected by using these methods, please contact the Customer Service Representative in your area using the contact information on our web site. Log onto www.weber.com ®.		

SEAR STATION® TROUBLESHOOTING

PROBLEM	CHECK	SOLUTION
Burners burn with a yellow or orange flame, in conjunction with the smell of gas. (This is normal for the burner lighting tube.) Sear Station® burner does not light.	Inspect spider/insect screens for possible obstructions. (Blockage of holes.)	Clean spider/insect screens. Refer to "ANNUAL MAINTENANCE."
	Did you ignite the two adjacent main burners? Refer to "SEAR STATION® IGNITION & USAGE" for safe lighting procedure.	Verify adjacent main burner ignition by visual inspection of a flame. ⚠ WARNING: If ignition does not occur in five seconds, turn burner control OFF, wait five minutes to let the gas clear before you try again.
	Does burner light with a match?	If you can light burner with a match, then check the Crossover® Channel on the sear burner. Refer to "MAINTENANCE" for burner removal and cleaning procedure.
	Does the igniter work? Do you see a spark when you repeatedly use the snap igniter?	Try manually lighting the burner. Refer to "SEAR STATION® IGNITION & USAGE." Call Customer Service.
General Symptoms: Burner does not light. OR Burner has a small flickering flame.	The excess flow safety device, which is part of the barbecue to cylinder connection, may have been activated.	To reset the excess flow safety device, turn all burner control knobs and the cylinder valve to OFF. Disconnect the regulator from the cylinder. Turn burner control knobs to START/HI. Wait at least one minute. Turn burner control knobs to OFF. Reconnect the regulator to the cylinder. Turn cylinder valve on slowly. Refer to "MAIN BURNER IGNITION."
If problems cannot be corrected by using these methods, please contact the Customer Service Representative in your area using the contact information on our web site. Log onto www.weber.com ®.		

ROTISSERIE TROUBLESHOOTING

PROBLEM	CHECK	SOLUTION
Rotisserie burner does not light.	Did you hold the burner control knob in and hold in for 20 seconds after burner ignited?	Try to relight burner by holding burner control knob in; continue holding in until 20 seconds after burner has ignited.
	Did you wait to see the entire ceramic surface become alight before counting 20 seconds?	When relighting burner by holding burner control knob in, wait to see the entire ceramic surface become alight before counting 20 seconds.
	Did you repeatedly use the snap ignition until the burner ignited?	After waiting five minutes for gas to clear, try using the snap igniter repeatedly until the burner ignites. Refer to "ROTISSERIE BURNER IGNITION & USAGE."
	Does the igniter work? Do you see a spark when you repeatedly use the snap igniter?	Try manually lighting the burner. Refer to "ROTISSERIE BURNER MANUAL IGNITION." Call Customer Service.
General Symptoms: Burner does not light. OR Burner has a small, flickering flame.	The excess flow safety device, which is part of the barbecue to cylinder connection, may have been activated.	To reset the excess flow safety device, turn all burner control knobs and the cylinder valve to OFF. Disconnect the regulator from the cylinder. Turn burner control knobs to START/HI. Wait at least one minute. Turn burner control knobs to OFF. Reconnect the regulator to the cylinder. Turn cylinder valve on slowly. Refer to "MAIN BURNER IGNITION."
If problems cannot be corrected by using these methods, please contact the Customer Service Representative in your area using the contact information on our web site. Log onto www.weber.com ®.		

GRILL OUT™ HANDLE LIGHT TROUBLESHOOTING

PROBLEM	CHECK	SOLUTION
Weber Grill Out™ Handle Light does not light.	Are the batteries old?	Replace batteries.
	Are the batteries installed correctly?	Refer to assembly illustration.
	Is the lid in the up position with the power button ON?	Light will activate when lid is open.
	Is the Weber® Grill Out™ Handle Light activated?	Press the power button.
	Is the Weber® Grill Out™ Handle Light positioned correctly on the handle?	Adjust position. Refer to assembly illustration.
If problems cannot be corrected by using these methods, please contact the Customer Service Representative in your area using the contact information on our web site. Log onto www.weber.com ®.		

MAINTENANCE

CLEANING

- ⚠ **WARNING:** Turn your Weber® gas barbecue off and wait for it to cool before cleaning.
- ⚠ **CAUTION:** Do not clean your Flavorizer® bars or cooking grates in a self-cleaning oven.

Outside surfaces — Use a warm soapy water solution to clean, then rinse with water.

- ⚠ **CAUTION:** Do not use oven cleaner, abrasive cleansers (kitchen cleansers), cleaners that contain citrus products, or abrasive cleaning pads on barbecue or cart surfaces.

Slide-out grease tray — Remove excess grease, wash with warm soapy water, then rinse.

- ⚠ **CAUTION:** Do not line the slide-out grease tray with aluminum foil.

Flavorizer® bars and cooking grates — Clean with a suitable stainless steel bristle brush. As needed, remove from grill and wash with warm soapy water, then rinse with water.

For availability of replacement cooking grates and Flavorizer® bars, contact the Customer Service Representative in your area using the contact information on our website. Log onto www.weber.com.

Catch pan — Disposable foil trays are available, or you can line the catch pan with aluminum foil. To clean the catch pan, wash with warm soapy water, then rinse.

Thermometer — Wipe with warm soapy water; clean with plastic scrub ball.

Cookbox — Brush any debris off of burner tubes. **DO NOT ENLARGE BURNER PORTS (OPENINGS).** Wash inside of cookbox with warm soapy water and a water rinse.

Inside lid — While lid is warm, wipe inside with paper towel to prevent grease build-up. Flaking built-up grease resembles paint flakes.

Stainless steel surfaces — Wash with a soft cloth and a soap and water solution. Be careful to scrub with the grain direction of the stainless steel.

Do not use cleaners that contain acid, mineral spirits, or xylene. Rinse well after cleaning.

Preserve your stainless steel — Your grill or its cabinet, lid, and control panel may be made from stainless steel. Keeping the stainless steel looking its best is a simple matter. Clean it with soap and water, rinse with clear water, and wipe dry. For stubborn particles, a non-metallic brush can be used.

- ⚠ **IMPORTANT:** Do not use a wire brush or abrasive cleaners on the stainless steel surfaces of your grill as this will cause scratches.
- ⚠ **IMPORTANT:** When cleaning surfaces be sure to rub/wipe in the direction of the grain to preserve the look of your stainless steel. ♦

WEBER® SPIDER/INSECT SCREENS

Your Weber® gas barbecue, as well as any outdoor gas appliance, is a target for spiders and other insects. They can nest in the venturi section (1) of the burner tubes. This blocks the normal gas flow, and can cause the gas to flow back out of the combustion air opening. This could result in a fire in and around the combustion air openings, under the control panel, causing serious damage to your barbecue.

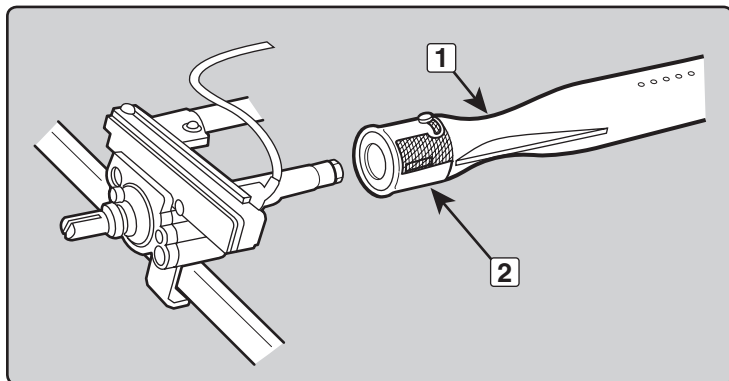
The burner tube combustion air opening is fitted with a stainless steel screen (2) to prevent spiders and other insects access to the burner tubes through the combustion air openings.

We recommend that you inspect the spider/insect screens at least once a year. (Refer to "ANNUAL MAINTENANCE.") Also inspect and clean the the spider/insect screens if any of the following symptoms should ever occur:

- A) Gas is smelled in conjunction with burner flames that appear yellow and lazy.
- B) Barbecue does not reach temperature.
- C) Barbecue heats unevenly.
- D) One or more of the burners do not ignite.

⚠ DANGER

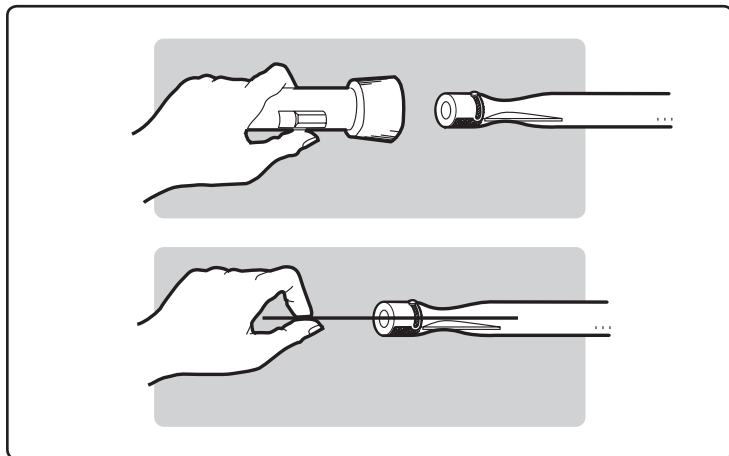
Failure to correct the above mentioned symptoms may result in a fire, which can cause serious bodily injury or death, and cause damage to property. ♦



BURNER TUBE CLEANING

- A) Turn off the gas supply.
- B) Remove the manifold. (Refer to "REPLACING MAIN BURNERS.")
- C) Look inside each burner with a flashlight.
- D) Clean the inside of the burners with a wire (a straightened-out coat hanger will also work). Check and clean the air shutter opening at the ends of the burners. Check and clean the valve orifices at the base of the valves. Use a steel bristle brush to clean outside of burners. This is to make sure all the burner ports are fully open.

- ⚠ **CAUTION:** Do not enlarge the burner ports when cleaning. ♦



REPLACING MAIN BURNERS

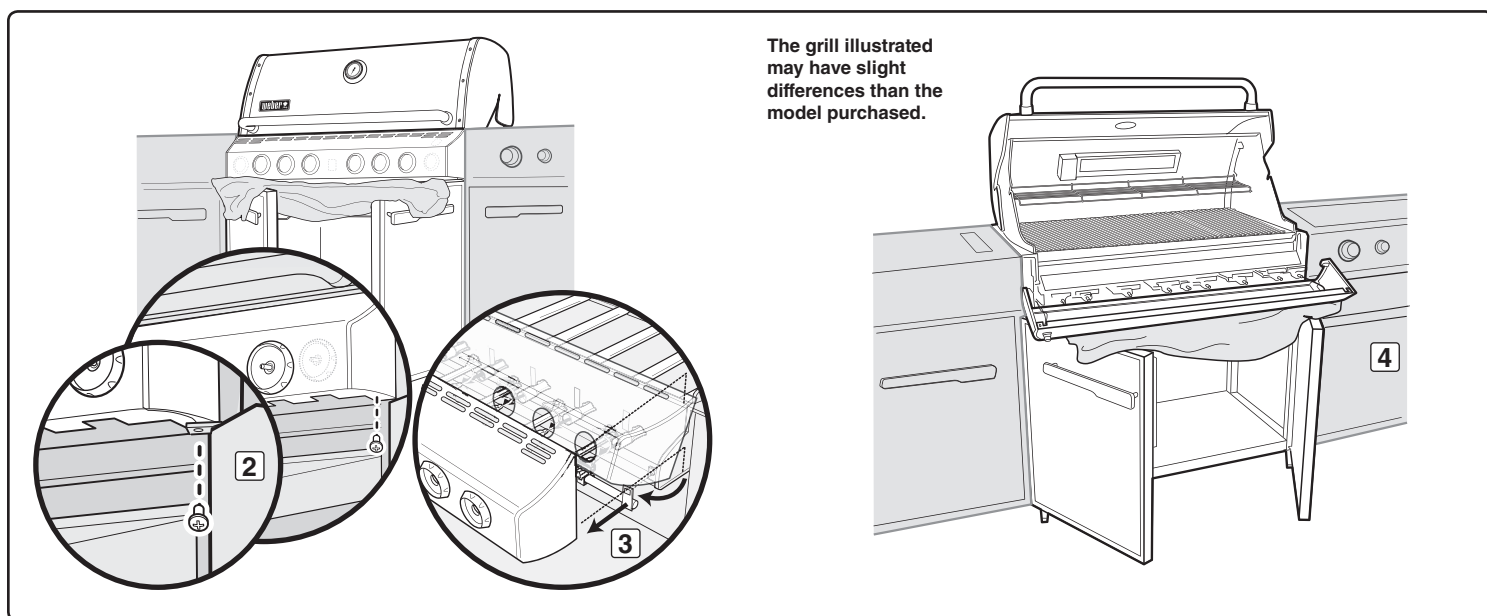
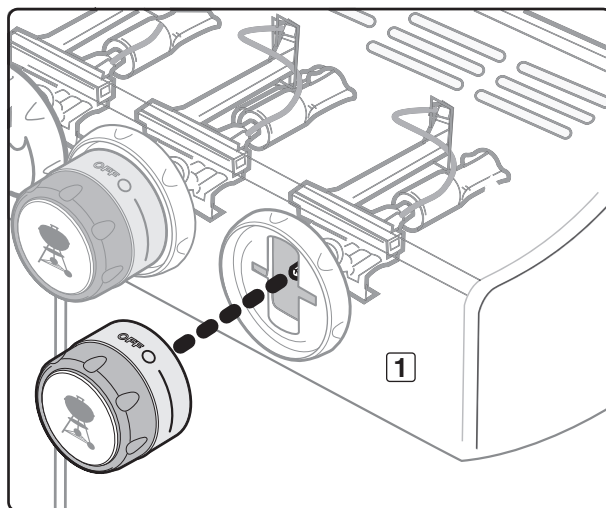
Note: Your Summit® Gas Grill must be off and cool.

- A) Turn gas off at source.
- B) Disconnect gas supply.
- C) Remove cooking grates.
- D) Remove Flavorizer® bars.
- E) Remove smoker box (if included in your model).

Removing Control Panel

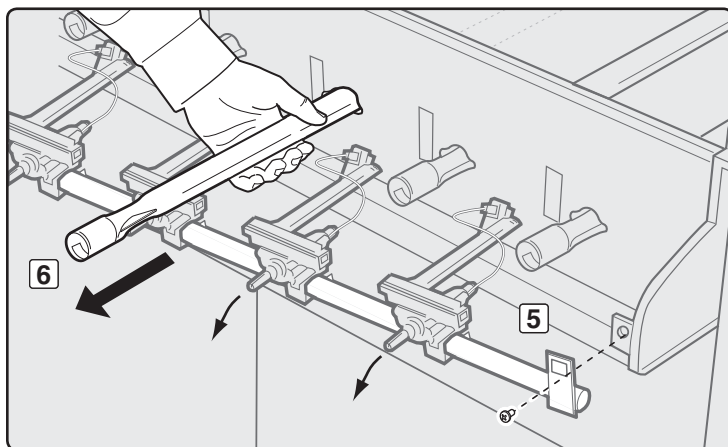
Parts required: Phillips screwdriver and a towel.

- A) Remove the burner control knobs (1).
- B) Open both doors and place a towel on top of the doors. **This will protect the control panel and tops of the doors from getting scratched on the next step.**
- C) Remove the screws from the underside of the control panel with a Phillips screwdriver (2).
- D) Tilt the control panel forward and lift up and away from the grill (3). (For Summit® models with LED features: be careful not to break or disconnect the wires for the control panel LEDs.)
- E) Place the control panel on the towel covering the door assemblies (4).



The grill illustrated may have slight differences than the model purchased.

- F) Remove the two screws that secure the manifold to the cookbox. Pull manifold assembly out from the manifold frame (5).
- G) Pull the selected burner tube(s) from manifold frame and replace with new burner tube(s) (6).



MAINTENANCE

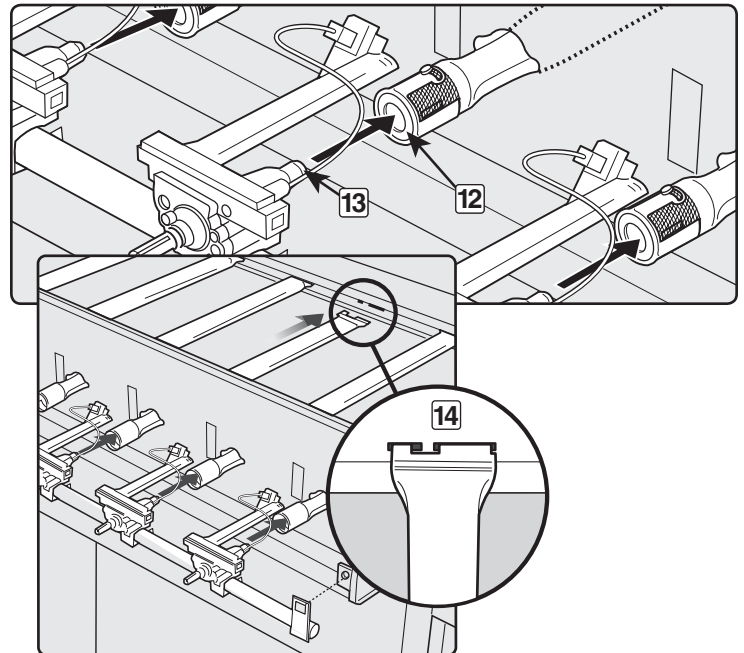
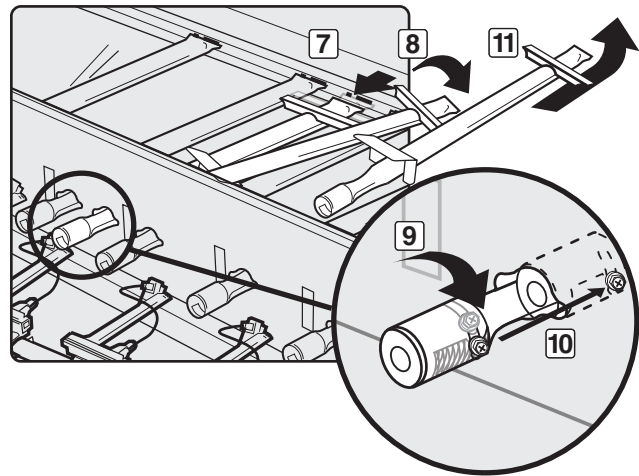
Removing The Sear Station® Burner

To remove the Sear Station burner®, pull the burner tube toward you. This removes it from the burner tube notch (7). Then rotate the tube clockwise (8), taking care to rotate it so that the screw at the end of the tube (9) fits through the notch in the heat shield opening (10). When the burner tube is free, remove it from the cookbox (11).

A) To reinstall the manifold assembly, reverse steps for "Removing Control Panel" as previously described.

⚠ **CAUTION:** The burner openings (12) must be positioned properly over the valve orifices (13). Make sure the opposite end of the burner tubes (14) properly align into the slots on the backside of the cookbox. Check proper assembly before fastening manifold in place.

⚠ **WARNING:** After reinstalling the gas lines, they should be leak checked with a soap and water solution before using the grill. (See "CHECK FOR GAS LEAKS.") ♦



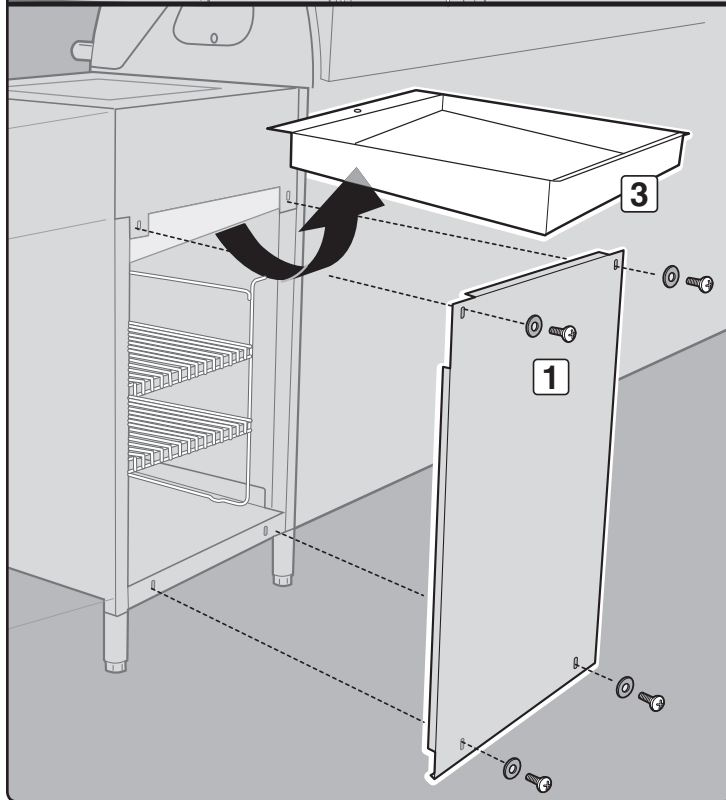
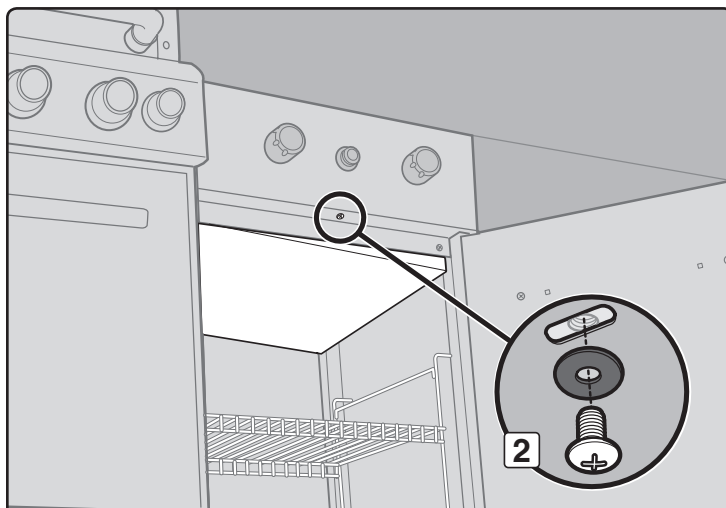
SIDE BURNER MAINTENANCE

⚠ WARNING: All gas controls and supply valves should be in the OFF position.

Check Igniter Wires on the Underside of the Side Burner

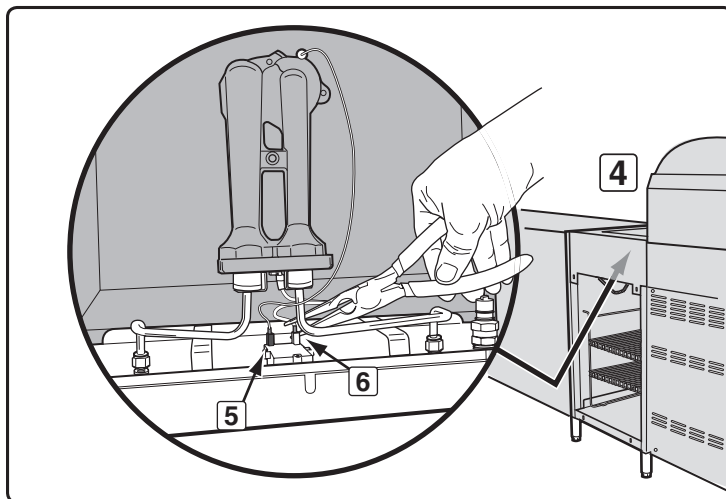
Tools required: Phillips screwdriver.

- A) To remove side burner cabinet back panel and side burner cabinet water deflector:
- Facing the back of the unit, remove screws that secure back panel of side burner cabinet with a Phillips screwdriver (1).
 - Remove back panel and set aside.
 - Facing the front of the unit, open side burner cabinet door and remove screw and washer securing side burner cabinet water deflector (2).
 - Facing the back of the unit, push water deflector forward to allow rear edge to drop down. Pivot water deflector down on an angle and remove from side burner cabinet (3).



- Locate the igniter wires at the underside of the side burner (4).
- Make sure black wire (5) is connected to the black terminal clip on the ignition module.
- Make sure white wire (6) is connected to the white terminal clip on the ignition module.

Note: Spark should be a white/blue color, not yellow.

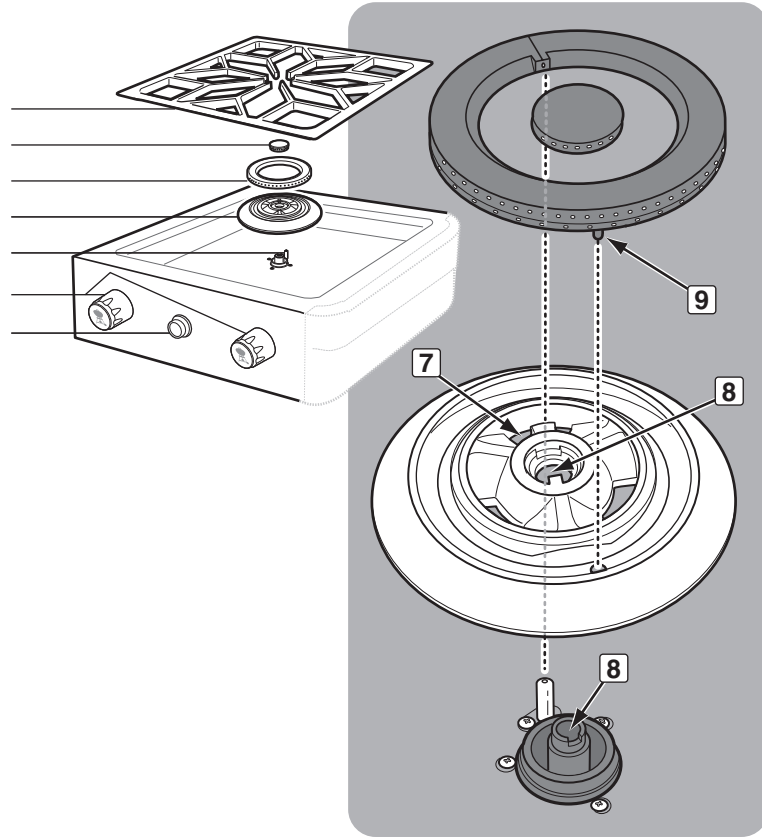


MAINTENANCE

Check Fit and Alignment of the Side Burner Components

- A) Make sure side burner head is properly aligned over igniter electrode and burner. The electrode must fit through the electrode opening (7) and lock into the tab on the burner (8).
- B) Make sure side burner outer ring 2 is positioned correctly over side burner head; rotate the ring until the locating pin locks into the hole on the burner head (9). ♦

Side Burner Grate
Side Burner Inner Ring 1
Side Burner Outer Ring 2
Side Burner Head
Igniter Electrode
Control Knob
Igniter



ANNUAL MAINTENANCE

Inspection and Cleaning of the Spider/Insect Screens

To inspect the spider/insect screens, remove the control panel. If there is dust or dirt on the screens, remove the burners to clean the screens.

Brush the spider/insect screens lightly with a soft bristle brush (i.e., an old toothbrush).

⚠ CAUTION: Do not clean the spider/insect screens with hard or sharp tools. Do not dislodge the spider/insect screens or enlarge the screen openings.

Lightly tap the burner to get debris and dirt out of the burner tube. Once the spider/insect screens and burners are clean, replace the burner.

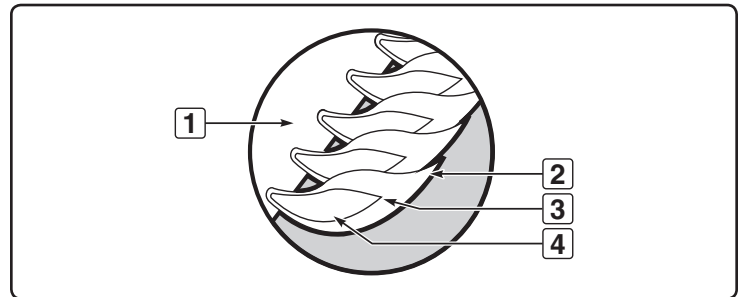
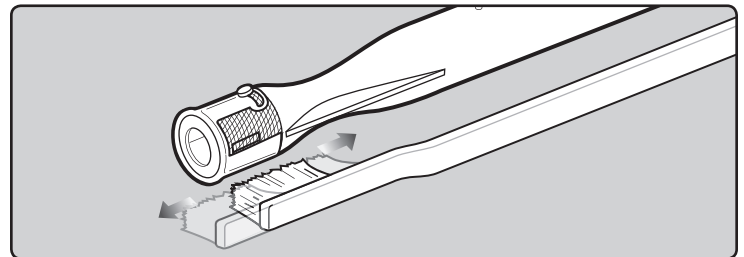
If a spider/insect screen becomes damaged or cannot be cleaned, please contact the Customer Service Representative in your area using the contact information on our web site. Log onto www.weber.com.

Burner Flame Pattern

The Weber® gas barbecue burners have been factory set for the correct air and gas mixture. The correct flame pattern is shown in illustration and described below:

- A) Burner tube (1)
- B) Tips occasionally flicker yellow (2)
- C) Light blue (3)
- D) Dark blue (4)

If the flames do not appear to be uniform throughout the burner tube, follow the burner cleaning procedures. ♦



SUMMIT® GRILL CENTER



BARBACOA DE GAS

Guía del Propietario de la Barbacoa
de Gas Propano Licuado

SUMMIT® GRILL CENTER

#56567



**DEBE LEER ESTA GUÍA DEL PROPIETARIO
ANTES DE PONER A FUNCIONAR LA
BARBACOA DE GAS.**

⚠ PELIGRO

Si huele a gas:

1. Cierre el suministro de gas al artefacto.
2. Apague todas las flamas cerrando la valvula general de paso.
3. Abra la tapa.
4. Llame inmediatamente a la central de fugas o a su proveedor de gas.

Una fuga de gas puede provocar un incendio o explosión que puede resultar en lesiones corporales serias o la muerte, o daños a la propiedad.

⚠ ADVERTENCIA

1. No almacene gasolina u otros fluidos flamables en la cercanía de su aparato.
2. Ningún cilindro de propano licuado que no esté conectado para su uso deberá almacenarse cerca de éste o cualquier otro artefacto doméstico.

⚠ **ADVERTENCIA:** Antes de poner a funcionar la asador, siga cuidadosamente todos los procedimientos en este manual para verificar que no existan fugas. Haga esto aun y cuando la asador haya sido ensamblada por el distribuidor.

AVISO AL INSTALADOR:

Estas instrucciones deben permanecer con el propietario, quien las deberá guardar para un futuro uso.

**ESTE ARTEFACTO A GAS ESTÁ
DISEÑADO PARA USARSE SOLAMENTE
AL AIRE LIBRE.**

⚠ **ADVERTENCIA:** No encienda este artefacto sin primero leer las secciones de **ENCENDIDO DEL QUEMADOR** de este manual.



ADVERTENCIAS

⚠ PELIGRO

El hacer caso omiso de los avisos de peligros, advertencias y precauciones contenidos en este Manual del Propietario pudiera resultar en lesiones corporales serias o la muerte, o en un fuego o explosión que cause daños a la propiedad.

⚠ ADVERTENCIAS

- ⚠ No almacene un tanque de propano licuado desconectado o de repuesto debajo o cerca de este asador.
- ⚠ El ensamblaje incorrecto puede ser peligroso. Por favor siga cuidadosamente las instrucciones de ensamblaje.
- ⚠ Tras haber estado guardada o sin uso por algún tiempo, antes de usar la barbacoa de gas Weber® verifique que no existan fugas de gas o obstrucciones en el quemador. Vea en este manual las instrucciones para los procedimientos correctos.
- ⚠ No opere la barbacoa de gas Weber® si existe una fuga de gas.
- ⚠ No utilice una llama abierta para comprobar la existencia de fugas de gas.
- ⚠ Nunca debe haber materiales combustibles a una distancia menor de 24 pulgadas (61 cm) de la parte superior, inferior, trasera o lateral de su asador de gas Weber®.
- ⚠ No coloque una funda para barbacoas ni cualquier otro artículo inflamable sobre o dentro del área de almacenaje ubicada debajo del asador.
- ⚠ Nunca permita que los niños usen la barbacoa de gas Weber®. Algunas partes accesibles de la barbacoa pudieran estar muy calientes. Mantenga alejados a los niños pequeños mientras ésta se esté usando.
- ⚠ Usted debe proceder con razonable cuidado al usar su barbacoa de gas Weber®. Ésta estará caliente al cocinarse en ella o al limpiarla, y nunca deberá dejarse desatendida o moverse mientras esté funcionando.
- ⚠ Si llegasen a apagarse los quemadores, cierre todas las válvulas de gas. Abra la tapa y espere cinco minutos antes de tratar de volver a encender la barbacoa, usando las instrucciones de encendido en este manual.
- ⚠ No use carbón o piedra pómez en su barbacoa de gas Weber®.
- ⚠ No se incline sobre la barbacoa abierta o coloque las manos o dedos en el borde delantero de la caja de cocción.
- ⚠ Si la grasa llegase a agarrar fuego, apague todos los quemadores y mantenga la tapa cerrada hasta que se haya apagado el fuego.
- ⚠ Al limpiar las válvulas o los quemadores, no ensanche los orificios de las válvulas o las aberturas de los quemadores.
- ⚠ La barbacoa de gas Weber® deberá limpiarse a fondo regularmente.
- ⚠ El propano licuado no es gas natural. El uso de gas natural en una unidad de propano licuado o viceversa, propano licuado en una de gas natural, es peligroso y anulará su garantía.

- ⚠ No intente desconectar ninguna conexión de gas mientras la barbacoa esté funcionando.
- ⚠ Mientras opere la barbacoa, utilice guantes resistentes al calor.
- ⚠ Mantenga alejados de todas las superficies calientes a todo cordón eléctrico y a la manguera de suministro de combustible.
- ⚠ Los subproductos de la combustión producidos al usar este producto contienen sustancias químicas que son conocidas por el Estado de la California como causantes de cáncer, defectos de nacimiento, u otros daños reproductivos.
- ⚠ No use esta barbacoa a menos que todas sus partes estén colocadas en su sitio. La unidad debe ensamblarse correctamente de acuerdo con las instrucciones de ensamblaje.
- ⚠ No construya este modelo de barbacoa en ninguna construcción en la que la barbacoa esté incorporada de manera fija o deslizable. El no acatar esta Advertencia pudiera resultar en un fuego o una explosión que pudiera causar daños a la propiedad y heridas corporales graves o la muerte.
- ⚠ Propuesta 65 Advertencia: El manipular los materiales de latón en este producto lo exponen al plomo, una sustancia química conocida por el estado de California como causante de cáncer, de defectos de nacimiento o de otros daños reproductivos.
(Lávese las manos después de manipular este producto.) ♦

ÚNICAMENTE UNIDADES DE GAS PROPANO LICUADO

- ⚠ Use el regulador que se suministra con la barbacoa de gas Weber®.
- ⚠ No trate de desconectar el regulador de gas o ninguna conexión de gas mientras esté funcionando la barbacoa.
- ⚠ Un cilindro de propano licuado abollado u oxidado pudiera ser peligroso y deberá ser revisado por su suplidor de propano licuado. No utilice ningún cilindro de propano licuado con una válvula dañada.
- ⚠ Aunque el cilindro de propano licuado pudiera aparentar estar vacío, algo de gas pudiera aún estar presente, por lo que el cilindro deberá transportarse y almacenarse tomando esta posibilidad en consideración.
- ⚠ Si usted ve, huele o escucha el silbido de un escape de gas del cilindro de propano licuado:
 1. Apártese del cilindro de propano licuado.
 2. No trate de corregir el problema usted mismo.
 3. Llame al cuerpo de bomberos local. ♦

DIAGRAMA DE DESPIECE	4	ENCENDIDO Y USO DE LA ESTACIÓN DE DORADO SEAR STATION®	67
ADVERTENCIAS	48	ENCENDIDO DEL QUEMADOR DE LA ESTACIÓN DE DORADO SEAR STATION®	67
ÍNDICE	49	PARA APAGAR	67
GARANTÍA	50	ENCENDIDO MANUAL DEL QUEMADOR DE LA ESTACIÓN DE DORADO SEAR STATION®	68
INSTRUCCIONES GENERALES	50	PARA APAGAR	68
PARA SU INSTALACIÓN EN CANADÁ	50	CÓMO USAR LA ESTACIÓN PARA DORAR SEAR STATION®	68
OPERACIÓN	50	ENCENDIDO Y USO DEL QUEMADOR DEL AHUMADOR	69
ALMACENAJE Y/O FALTA DE USO	50	ENCENDIDO DEL QUEMADOR DEL AHUMADOR	69
INSTRUCCIONES SOBRE EL GAS	51	PARA APAGAR	69
SUGERENCIAS PARA EL MANEJO SEGURO DE LOS CILINDROS DE GAS PROPANO LICUADO	51	ENCENDIDO MANUAL DEL QUEMADOR DEL AHUMADOR	70
INFORMACIÓN IMPORTANTE SOBRE EL CILINDRO DE PROPANO LICUADO	52	PARA APAGAR	70
PREPARATIVOS PARA LA BÚSQUEDA DE FUGAS	52	CÓMO USAR EL AHUMADOR	71
DETECCIÓN DE FUGAS DE GAS	55	LIMPIEZA DEL AHUMADOR	71
CÓMO RECARGAR EL CILINDRO DE PROPANO LICUADO	57	ENCENDIDO Y USO DEL QUEMADOR DEL ASADOR GIRATORIO	72
ILUMINACIÓN	57	ENCENDIDO DEL QUEMADOR DEL ASADOR GIRATORIO	72
LÁMPARA DEL ASA WEBER® GRILL OUT™	57	PARA APAGAR	72
PERILLAS DE CONTROL ILUMINADAS	57	ENCENDIDO MANUAL DEL QUEMADOR DEL ASADOR GIRATORIO	73
ANTES DE UTILIZAR LA BARBACOA	58	PARA APAGAR	73
NIVEL DE COMBUSTIBLE	58	MEDIDAS PREVENTIVAS IMPORTANTES	74
BANDEJA CORREDIZA RECOLECTORA DE GRASA Y BANDEJA DESECHABLE DE GOTEO	58	OPERACIÓN DEL ASADOR GIRATORIO	74
INSPECCIÓN DE LA MANGUERA	58	COCCIÓN CON EL ASADOR GIRATORIO	75
OPERACIÓN DEL ENCENDIDO DE CHASQUIDO	59	ALMACENAJE DEL MOTOR DEL ASADOR GIRATORIO	75
ENCENDIDO Y USO DEL QUEMADOR PRINCIPAL	60	ALMACENAJE DEL ESPETÓN DEL ASADOR GIRATORIO	75
ENCENDIDO DEL QUEMADOR PRINCIPAL	60	RESOLUCIÓN DE PROBLEMAS	76
PARA APAGAR	60	RESOLUCIÓN DE PROBLEMAS CON EL QUEMADOR LATERAL	77
ENCENDIDO MANUAL DEL QUEMADOR PRINCIPAL	61	RESOLUCIÓN DE PROBLEMAS DE LA ESTACIÓN DE DORADO SEAR STATION®	77
PARA APAGAR	61	RESOLUCIÓN DE PROBLEMAS DEL ASADOR GIRATORIO	78
CONSEJOS PRÁCTICOS PARA ASAR	62	RESOLUCIÓN DE PROBLEMAS DE LA LUZ DEL ASA GRILL OUT™	78
PRECALENTADO	62	MANTENIMIENTO	79
COCCIÓN CUBIERTA	62	LIMPIEZA	79
PRINGUES Y GRASA	62	MALLAS WEBER® CONTRA ARAÑAS E INSECTOS	79
EL SISTEMA FLAVORIZER®	62	LIMPIEZA DE TUBO DE QUEMADOR	79
ESTACIÓN DE DORADO SEAR STATION®	62	REEMPLAZO DE LOS QUEMADORES PRINCIPALES	80
MÉTODOS DE COCCIÓN	63	MANTENIMIENTO DEL QUEMADOR LATERAL	82
COCCIÓN DIRECTA	63	MANTENIMIENTO ANUAL	83
COCCIÓN INDIRECTA	63	ENCENDIDO Y USO DEL QUEMADOR LATERAL	64
ENCENDIDO Y USO DEL QUEMADOR LATERAL	64	ENCENDIDO DEL QUEMADOR LATERAL	64
ENCENDIDO DEL QUEMADOR LATERAL	64	PARA APAGAR	64
PARA APAGAR	64	ENCENDIDO MANUAL DEL QUEMADOR LATERAL	65
ENCENDIDO MANUAL DEL QUEMADOR LATERAL	65	PARA APAGAR	65
PARA APAGAR	65	USO DEL QUEMADOR LATERAL	66
USO DEL QUEMADOR LATERAL	66		

GARANTÍA

Weber-Stephen Products LLC (Weber) mediante la presente le garantiza al COMPRADOR ORIGINAL de esta barbacoa de gas Weber® que la misma estará libre de defectos en cuanto a materiales y fabricación a partir de la fecha de compra según lo siguiente:

Piezas coladas de aluminio:	25 años (2 años para la pintura excluyendo la decoloración)
Cubierta de acero inoxidable:	25 años
Cubierta porcelanizada:	25 años
Tubos de acero inoxidable de los quemadores:	10 años
Parrillas de cocción de acero inoxidable:	5 años sin perforación por fuego u oxidación
Barras Flavorizer® de acero inoxidable:	5 años sin perforación por fuego u oxidación
Parrillas de cocción de hierro colado porcelanizado:	5 años sin perforación por fuego u oxidación
Parrillas de cocción porcelanizadas:	3 años sin perforación por fuego u oxidación
Barras Flavorizer® porcelanizadas:	2 años sin perforación por fuego u oxidación
Qumeador infrarrojo del asador giratorio:	2 años
Todas la demás partes:	2 años

cuando se ensambla y opera de acuerdo a las instrucciones impresas que la acompañan. Weber pudiese requerir prueba razonable de la fecha de compra. POR LO TANTO, DEBERÁ GUARDAR SU RECIBO O FACTURA DE VENTA.

Esta garantía limitada está limitada a la reparación o reemplazo de piezas que resultasen defectuosas bajo uso y servicio normal y las cuales al examinarse indiquen, a plena satisfacción de Weber, que efectivamente son piezas defectuosas. Antes de devolver cualquier parte, contacte al Representante de Atención al Cliente en su área, cuya información de contacto la encontrará en nuestro sitio web. Si Weber confirma el defecto y aprueba el reclamo, ésta elegirá reparar o reemplazar tal pieza sin cargo alguno. Si usted tiene que retornarnos las partes defectuosas, los gastos de transporte deben ser prepagados. Weber retornará las partes al comprador con transporte o franqueo prepagado.

Esta Garantía Limitada no cubre ninguna falla o problema de operación a causa de accidentes, abuso, mal uso, alteración, uso en aplicaciones indebidas, vandalismo, instalación inapropiada o mantenimiento o servicio inapropiados, o por no llevar a cabo el mantenimiento normal y rutinario, entre los que se incluyen, pero sin limitación, los daños causados por insectos dentro de los tubos quemadores, según se detalla en este manual del propietario.

Esta Garantía Limitada no cubre el deterioro o daños a causa de condiciones de tiempo inclemente tales como granizo, huracanes, terremotos o tornados ni tampoco la decoloración por exposición a sustancias químicas bien sea por contacto directo o por que las mismas contenidas en la atmósfera.

No existe ninguna otra garantía expresa que no sean las acá indicadas y cualesquier garantías implícitas de comerciabilidad y aptitud de uso están limitadas en duración al tiempo de cobertura de esta expresa Garantía Limitada por escrito. Algunas regiones no permiten limitación alguna en el tiempo que una garantía implícita pueda durar, por lo que esta limitación pudiera no aplicarle a usted.

Weber no se hace responsable de cualesquier daños especiales, indirectos o emergentes. Algunas regiones no permiten la exclusión o limitación de daños incidentales o emergentes, por lo que esta limitación o exclusión pudieran no aplicarle a usted.

Weber no autoriza a persona o empresa alguna a asumir en su nombre ninguna obligación o responsabilidad en relación con la venta, instalación, uso, retiro, devolución o reemplazo de sus equipos, y ninguna tal representación será vinculante para Weber.

Esta Garantía aplica solo a aquellos productos vendidos al por menor.

WEBER-STEPHEN PRODUCTS LLC
Customer Service Center
1890 Roselle Road, Suite 308
Schaumburg, IL 60195
USA

Para partes de repuesto llame a:
1-800-446-1071
www.weber.com®

Para compras hechas en México
WEBER-STEPHEN PRODUCTS S.A. de C.V.
Marcella No. 338,
Colonia Americana
Guadalajara, Jalisco
44160 México,
C.P. México

Para partes de repuesto llame a:
(52) (33) 3615-0736
www.weber.com®

Visite www.weber.com®, seleccione su país de origen y registre su barbacoa hoy. ♦

INSTRUCCIONES GENERALES

Con la barbacoa de gas Weber® usted puede asar de manera convencional, a la barbacoa, y al horno con unos resultados que son difíciles de duplicar con los artefactos de cocina de la casa. La tapa cerrada y las barras Flavorizer® le dan a la comida ese sabor a "aire libre".

El suministro de gas propano licuado es fácil de usar y le da más control al cocinar que el carbón.

- Estas instrucciones le indicarán los requisitos mínimos para ensamblar la barbacoa de gas Weber®. Lea cuidadosamente las instrucciones antes de utilizar la barbacoa de gas Weber®. Un ensamblaje incorrecto puede ser peligroso.
- No debe ser usada por niños.
- Si existiesen códigos locales que aplicasen para barbacoas de gas empotradas, deberá acatarlos. La instalación debe acatar los códigos locales o, en la ausencia de estos, bien sea el código nacional de gases combustibles "National Fuel Gas Code, ANSI Z223.1/NFPA 54," el código para las instalaciones de gas natural y propano "Natural Gas and Propane Installation Code, CSA B149.1" o el código de manejo y almacenaje de propano "Propane Storage and Handling Code, B149.2," según apliquen.
- Debe usarse el regulador de presión suministrado con la barbacoa de gas Weber®. Este regulador está ajustado para una presión de 11 pulgadas de columna de agua.
- Esta barbacoa de gas Weber® está diseñada para ser usada exclusivamente con gas propano licuado (LP). No la use con gas natural (suministrado a través de tuberías en las ciudades). Las válvulas, los orificios, la manguera, y regulador son solamente para gas propano licuado.
- No la use con carbón como combustible.
- Asegúrese de que el área debajo del panel de control y la bandeja recolectora de grasa no tenga desechos que pudieran obstruir el flujo de aire de combustión o de ventilación.
- Las áreas alrededor del cilindro de gas de propano licuado deben estar libres y sin acumulación de desperdicios.
- Los reguladores de presión y los ensambles de manguera de reemplazo deberán ser los especificados por Weber-Stephen Products LLC. ♦

PARA SU INSTALACIÓN EN CANADÁ

Estas instrucciones, aunque de manera general son aceptables, no necesariamente cumplen con los códigos de instalación canadienses, en particular en lo que respecta a tuberías bajo y sobre tierra. En Canadá la instalación de este artefacto debe cumplir con los códigos locales y/o la Norma CSA-B149.2 ("Propane Storage and Handling Code"). ♦

OPERACIÓN

- ▲ **ADVERTENCIA: Sólo use esta barbacoa al aire libre en una zona bien ventilada. No la utilice en un garaje, edificio, pasadizo techado o en cualquier otra área cerrada.**
- ▲ **ADVERTENCIA: Mantenga limpios los orificios de ventilación de la caja del cilindro.**
- ▲ **ADVERTENCIA: La barbacoa de gas Weber® no deberá usarse debajo de una construcción combustible.**

- ▲ **ADVERTENCIA: No utilice la barbacoa con la parte superior, inferior, posterior, o lateral de la misma a menos de 24 pulgadas (610 mm) de distancia de materiales combustibles.**
- ▲ **ADVERTENCIA: La caja de cocción entera se calienta al usarse. No la deje desatendida.**
- ▲ **ADVERTENCIA: Mantenga a cualquier cordón eléctrico y a la manguera de suministro de gas alejados de toda superficie caliente.**
- ▲ **ADVERTENCIA: Mantenga el área de cocinar libre de vapores y líquidos inflamables tales como gasolina, alcohol, etc. y de materiales combustibles.**
- ▲ **ADVERTENCIA: Mantenga limpios los orificios de ventilación de la caja del cilindro.**
- ▲ **ADVERTENCIA: Cierre el suministro de gas en el cilindro de propano licuado cuando el artefacto para cocinar al aire libre no esté en uso.**
- ▲ **ADVERTENCIA: Nunca almacene cilindros de propano licuado extra (de reserva) debajo o cerca de la barbacoa de gas Weber®.**
- ▲ **ADVERTENCIA: Los tanques de propano licuado deben almacenarse al aire libre fuera del alcance de los niños y no deben almacenarse en edificaciones, garajes o cualquier otra área cerrada.**
- ▲ **ADVERTENCIA: El cilindro de propano licuado usado con la barbacoa debe contar con un "Dispositivo de prevención de sobrellenado" (OPD, por sus siglas en inglés) y una conexión QCC1 o tipo 1 (CGA810). La conexión del cilindro debe ser compatible con la conexión de la barbacoa. ♦**

ALMACENAJE Y/O FALTA DE USO

- Cuando la barbacoa de gas Weber® no esté usándose, el suministro de gas debe cerrarse a nivel del cilindro de propano licuado.
- El cilindro de propano licuado debe guardarse al aire libre en una zona bien ventilada fuera del alcance de los niños. El cilindro desconectado de propano licuado no debe almacenarse dentro de ninguna edificación, garaje o zona cerrada.
- Asegúrese de que el área debajo del panel de control y la bandeja recolectora de grasa no tengan desechos que pudiesen obstruir el flujo de aire de combustión o de ventilación.
- También deberá revisar que la malla contra arañas/insectos no esté obstruida. (Consulte "MANTENIMIENTO/MANTENIMIENTO ANUAL.") ♦

SUGERENCIAS PARA EL MANEJO SEGURO DE LOS CILINDROS DE GAS PROPANO LICUADO

- El gas propano licuado es un producto petrolero al igual que lo son la gasolina y el gas natural. El propano es un gas a temperaturas y presiones normales. Bajo presión moderada, dentro de un cilindro, el gas propano es un líquido. En la medida en que se libera la presión, el líquido se evapora fácilmente y se convierte en gas.
- El gas propano tiene un olor similar al gas natural. Usted deberá estar al tanto de este olor.
- El gas propano es más pesado que el aire. El gas propano proveniente de una fuga puede acumularse en áreas bajas y prevenir su dispersión.
- Para llenar un cilindro de gas propano, llévelo a un expendedor de gas propano, o busque a otros suplidores bajo "gas propano" en el directorio telefónico.

⚠ ADVERTENCIA: Recomendamos llenar su cilindro de gas propano licuado con un distribuidor de gas propano autorizado que tenga un encargado debidamente calificado y que llene el tanque en base a peso. EL LLENADO INCORRECTO ES PELIGROSO.

- Antes de su llenado inicial, el aire debe ser retirado de todo cilindro nuevo de propano licuado. Los distribuidores de propano licuado están equipados para hacerlo.
- El cilindro de propano licuado debe instalarse, transportarse, y almacenarse en una posición parada. Los cilindros de propano licuado no deben dejarse caer o manipularse de manera brusca.
- Nunca almacene o transporte los cilindros de propano licuado en sitios donde la temperatura alcance los 125° F (52° C—demasiado caliente para sostenerlo con la mano). (Por ejemplo: no deje un cilindro de gas propano dentro de un carro en un día caluroso).

Nota: una recarga durará alrededor de 18–20 horas de tiempo de cocción bajo uso normal. La escala de combustible, una característica de algunas de nuestras barbacoas, indicará el suministro de propano de manera que usted puede recargar antes de agotarse el mismo. No necesita agotar el tanque antes de rellenarlo.

- Trate a los cilindros de propano licuado "vacíos" con el mismo cuidado que cuando están llenos. Aun cuando el tanque de gas propano no contenga líquido, todavía puede haber presión del gas en el cilindro. Siempre cierre la válvula del cilindro antes de desconectarlo.

⚠ PRECAUCIÓN: Siempre que el cilindro esté sin usarse, coloque la capucha antipolvo sobre la salida de la válvula del mismo. Sólo instale sobre la salida de la válvula el tipo de capucha antipolvo con la que vino provista la misma. Otros tipos de capuchas o tapones pudieran causar fugas de propano.

- No use ningún cilindro de propano licuado dañado. Un cilindro de propano licuado abollado u oxidado o con la válvula dañada es peligroso y deberá reemplazarse por uno nuevo inmediatamente.
- Cada vez que se reconecte un cilindro de propano licuado, se debe revisar que la unión por donde se conecta la manguera al cilindro no presente fugas. Por ejemplo, haga la prueba cada vez que se llena el cilindro de propano licuado.
- Asegúrese de que el regulador esté montado con el pequeño agujero respiradero viendo hacia abajo de manera que no se acumule agua en él. Este respiradero debe mantenerse libre de sucio, grasa, insectos, etc.
- Las conexiones de gas suministradas con la barbacoa de gas Weber® han sido diseñadas para cumplir en un 100% con los requisitos de las normas CSA y ANSI.

⚠ ADVERTENCIA: Lo tanques de propano licuado de reemplazo deben tener conexiones compatibles con la del regulador suministrado con esta barbacoa.

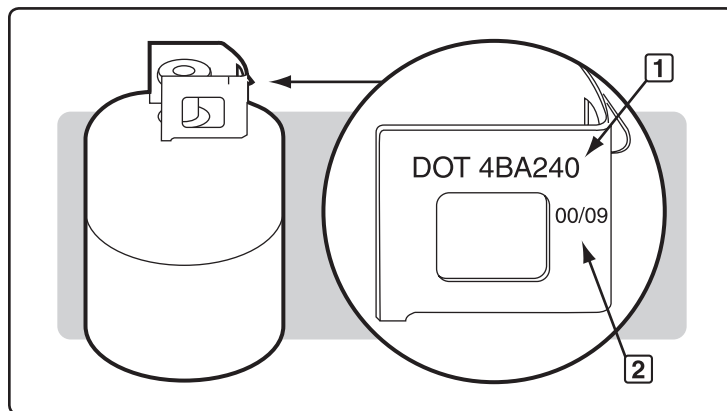
Requisitos de los Cilindros de Propano Licuado

- Asegúrese de que los cilindros tengan una certificación del D.O.T. (Departamento de Transporte) (1), y que la fecha en que fueron probados (2) no sea de más de cinco años atrás. Su proveedor de propano licuado puede hacerlo por usted.
- Todos los sistemas de tanques de suministro de propano licuado deben incluir un collar que proteja la válvula del cilindro.
- El cilindro de gas debe tener un tamaño aproximado de 20 lb. (18¼ pulgadas de alto y 12¼ pulgadas de diámetro).
- Los cilindros deben construirse y marcarse de acuerdo con las "Especificaciones para cilindros de gas propano licuado" del Departamento de Transporte (D.O.T.) de los EE.UU. o la Norma Nacional Canadiense "CAN/CSA-B339, Cilindros, esferas y tubos" o "Transporte de bienes peligrosos"; y Comisión, según aplique.

Requisitos Canadienses sobre los Cilindros de Propano Licuado

Nota: Su proveedor de venta al por menor puede ayudarle a buscar un tanque de reemplazo para su barbacoa.

- El cilindro de propano licuado debe estar construido y marcado de acuerdo con las especificaciones para cilindros de gas propano licuado, T.C. ♦



INSTRUCCIONES SOBRE EL GAS

INFORMACIÓN IMPORTANTE SOBRE EL CILINDRO DE PROPANO LICUADO

⚠ PELIGRO

NUNCA almacene un cilindro de gas propano licuado de reserva debajo o cerca de esta barbacoa. **NUNCA** llene el tanque más allá de un 80% lleno. El no acatar estrictamente estos avisos de **PELIGRO** pudiera resultar en un fuego letal o causar lesiones serias.

Su barbacoa de gas Weber® está equipada para usarse con un sistema de suministro desde cilindros diseñado para el retiro del vapor.

⚠ ADVERTENCIA: Solamente use esta barbacoa en un área bien ventilada al aire libre. No la use en un garaje, edificio, pasadizo techado o en cualquier otra área cerrada.

Las maneras correctas para llenar su cilindro son por peso o por volumen, según se describe en la norma NFPA-58. Por favor asegúrese de que su estación de llenado llene su cilindro de gas propano licuado midiendo el peso o el volumen. Pídale al personal de la estación de llenado que lean las instrucciones sobre cómo purgar y llenar el cilindro de gas propano licuado antes de tratar de llenarlo. ♦

PREPARATIVOS PARA LA BÚSQUEDA DE FUGAS

Verifique que Todas las Válvulas de los Quemadores Estén Cerradas

Las válvulas son despachadas de fábrica en la posición cerradas, pero usted debe verificarlo para asegurarse de que efectivamente estén cerradas. Verifíquelo presionándolas hacia abajo y girándolas hacia la derecha. Si no giran, están cerradas. Si sí girasen, continúe girándolas hacia la derecha hasta que paren; allí estarán cerradas.

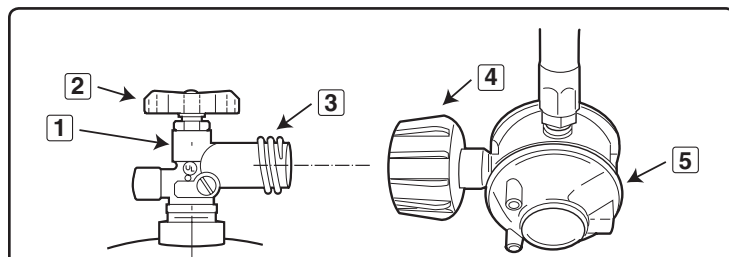
El cilindro de propano licuado

Todos los reguladores de las barbacoas Weber® de gas propano licuado están equipados con una conexión para tanques aprobada por UL según la más reciente edición de ASI Z21.58. Esto requerirá de un tanque de propano licuado equipado de manera similar con una conexión tipo 1 en la válvula del tanque. Este acoplamiento tipo 1 permite realizar una conexión rápida y totalmente segura entre la barbacoa de gas y el tanque de propano licuado. Elimina la posibilidad de fugas a causa de una conexión POL floja. El gas no fluirá del tanque a menos que el acoplamiento tipo 1 esté totalmente encajado dentro del acoplamiento.

⚠ ADVERTENCIA: Asegúrese de que la válvula del cilindro de propano licuado esté cerrada. Cíerrela girándola en la dirección de las agujas del reloj.

⚠ PELIGRO

No utilice una llama abierta para comprobar si existen fugas de gas. Asegúrese de que no haya chispas o llamas abiertas en el área mientras comprueba si existen fugas. Chispas o llamas causarían un fuego o explosión, las cuales pueden causar serias lesiones corporales o la muerte, y daños a la propiedad.



ACOPLAMIENTO CONECTOR TIPO 1

1	Válvula tipo 1
2	Volante de mano
3	Rosca externa
4	Tuerca termosensible
5	Regulador de propano

INSTRUCCIONES SOBRE EL GAS

- A) Ubique la grapa de retención de la manguera (1) en la manguera del regulador. Fijela a la ranura (2) en el lado inferior de la báscula del tanque.

⚠ ADVERTENCIA: La manguera debe fijarse a la báscula del tanque con la grapa de retención de la manguera. El no hacerlo pudiera causar daños a la manguera resultando en un fuego o explosión, lo cual puede causar lesiones corporales o la muerte y daños a la propiedad.

Algunos tanques de propano licuado tienen ensambles del collarín superior diferentes. (El collarín superior es el aro protector de metal alrededor de la válvula.) Una serie de tanques se montan con la válvula hacia adelante (3). Los demás tanques se ensamblan con la válvula viendo en dirección contraria a la báscula de combustible (4). Weber® recomienda el uso de cilindros fabricados por las empresas Manchester y Worthington, con una capacidad de 47.6 libras de agua. Otros cilindros pudieran ser aceptables para su uso con este artefacto siempre y cuando sean compatibles con el mecanismo de retención del artefacto (vea la Ilustración para detallar el punto de contacto del mecanismo de retención).

El cilindro de propano licuado va instalado dentro del gabinete de la base, sobre la báscula del tanque (lado derecho).

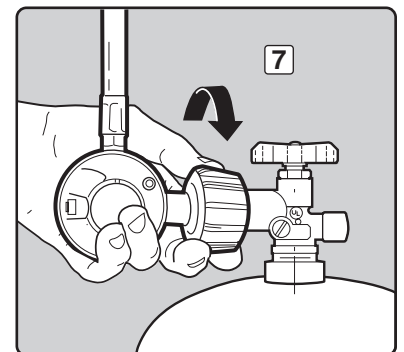
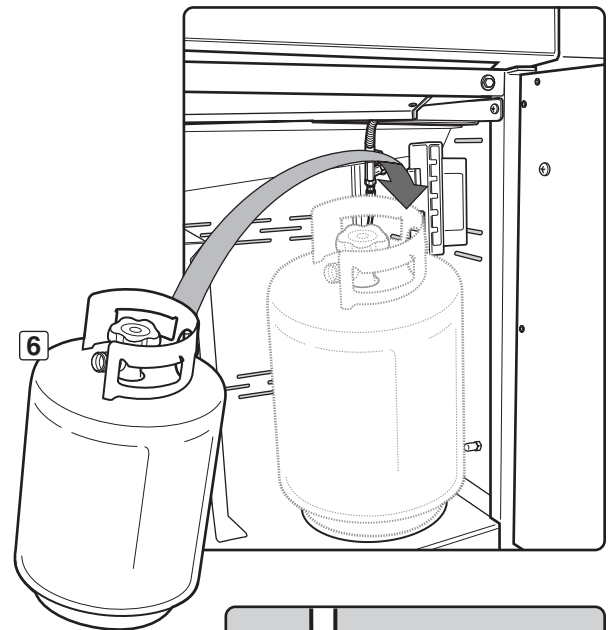
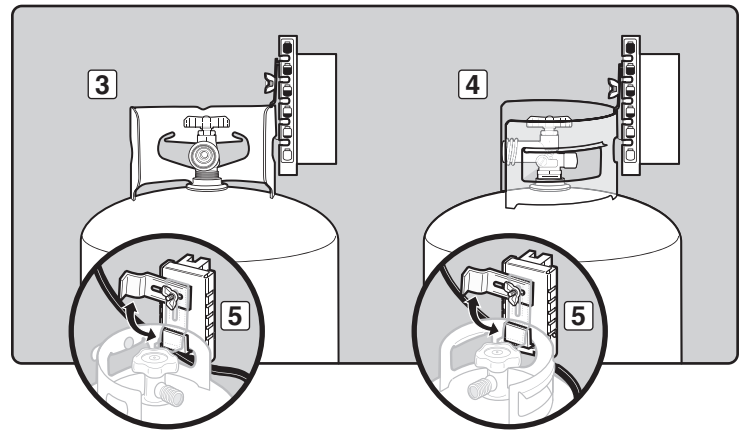
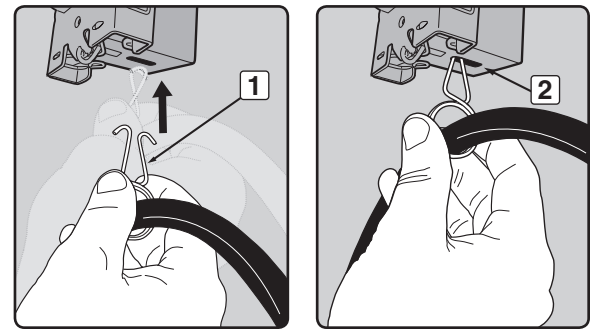
- B) Abra las puertas del gabinete.
C) Afloje la mariposa de seguridad del cilindro. Gire el seguro del cilindro hacia arriba (5).
D) Gire el cilindro de propano licuado de manera que la abertura de la válvula dé de cara al frente o a los lados de la barbacoa de gas Weber®.
E) Levante el tanque a su posición sobre la báscula del tanque (6).
F) Afloje la tuerca de mariposa del seguro del cilindro. Gire el seguro del cilindro hacia abajo. Apriete la tuerca de mariposa.

Conecte la manguera al cilindro

- A) Retire la cubierta antipolvo de plástico de la válvula.
B) Enrosque el cople del regulador a la válvula del tanque, en el sentido de las agujas del reloj o hacia la derecha. Sólo apriete a mano (7).

Nota: Esta conexión se aprieta en dirección de las agujas del reloj y no permitirá que el gas fluya a menos que la conexión esté apretada. La conexión sólo requiere apretarse a mano.

⚠ ADVERTENCIA: No use una llave para apretar la conexión. Si usa una llave, podría dañar el cople del regulador y causar una fuga.



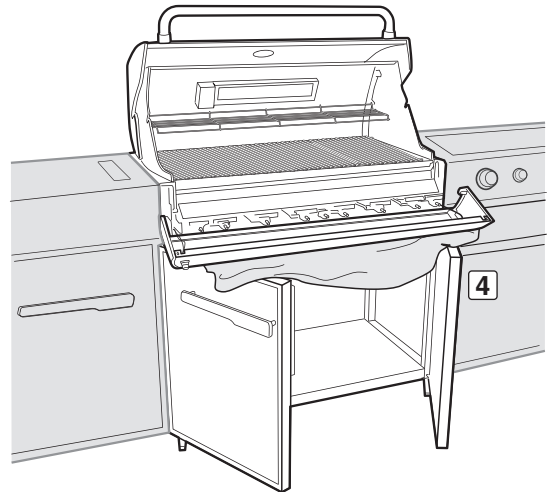
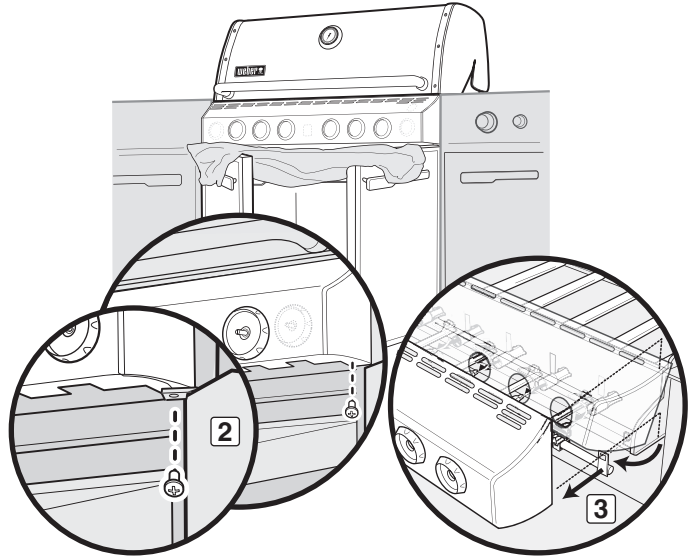
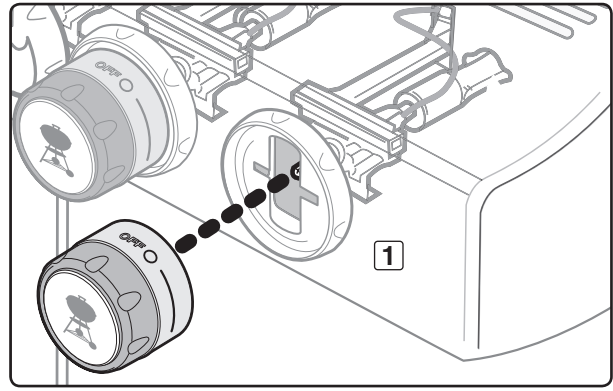
INSTRUCCIONES SOBRE EL GAS

⚠ ADVERTENCIA: Las conexiones de gas de la barbacoa de gas Summit® han sido probadas en la fábrica. Le recomendamos, sin embargo, que inspeccione todas las conexiones de gas antes de operar la barbacoa de gas Summit®.

Retire el panel de control

Piezas requeridas: Destornillador Phillips y una toalla

- A) Retire las perillas de control del quemador (1).
- B) Abra ambas puertas y coloque una toalla sobre las mismas. Esto protegerá el panel de control y la parte superior de las ventanas de posibles rayaduras en el próximo paso.
- C) Retire los tornillos de la parte de abajo del panel de control con un destornillador Phillips (2).
- D) Incline el panel de control hacia adelante y levántelo apartándolo de la barbacoa (3) (Para los modelos Summit® con lámparas LED: Tenga cuidado de no romper o desconectar los cables de las lámparas LED del panel de control).
- E) Coloque el panel de control sobre la toalla que cubre los ensamblajes de las puertas (4).



La barbacoa ilustrada puede tener ligeras diferencias con respecto al modelo comprado.

INSTRUCCIONES SOBRE EL GAS

Retire el panel posterior del gabinete del quemador lateral y el deflector de agua del gabinete del quemador lateral.

Herramientas requeridas: Destornillador Phillips.

- Con un destornillador Phillips, y viendo hacia la parte posterior de la unidad, retire los tornillos que fijan el panel posterior al gabinete del quemador lateral (1).
- Retire el panel posterior y colóquelo a un lado (2).
- Viendo hacia la parte delantera de la unidad, abra la puerta del gabinete del quemador lateral y retire el tornillo que fija el deflector de agua en el gabinete del quemador lateral (3).
- Viendo hacia la parte posterior de la unidad, empuje el deflector de agua hacia delante para permitir que el borde posterior pueda dejarse caer. Gírelo hacia abajo a un ángulo y retírelo del gabinete del quemador lateral (4). ♦

DETECCIÓN DE FUGAS DE GAS

⚠ PELIGRO

No utilice una llama abierta para comprobar si existen fugas de gas. Asegúrese de que no haya chispas o llamas abiertas en el área mientras comprueba si existen fugas. Chispas o llamas causarán un fuego o explosión, las cuales pueden causar graves lesiones corporales o la muerte, y daños materiales.

Nota: Todas las conexiones hechas en la fábrica han sido revisadas a fondo para asegurar que no existan fugas. Los quemadores han sido probados con las llamas encendidas. Como medida de precaución, sin embargo, usted deberá de volver a revisar todas las conexiones en busca de fugas antes de utilizar su barbacoa de gas Weber®. Durante el manejo y despacho puede haberse aflojado o dañado alguna conexión de gas.

⚠ **ADVERTENCIA:** Las conexiones de gas de su barbacoa de gas han sido probadas en la fábrica. Le recomendamos que inspeccione todas las conexiones de gas antes de operar la barbacoa de gas.

⚠ **ADVERTENCIA:** Lleve a cabo estos chequeos de fugas aun y cuando su barbacoa haya sido ensamblada por el distribuidor o en la tienda donde la compró.

Si la barbacoa cuenta con un quemador lateral, asegúrese de que éste esté apagado.

Abra el suministro de gas en la fuente del mismo.

⚠ **ADVERTENCIA:** No encienda los quemadores mientras esté verificando la existencia de fugas.

Usted necesitará: una solución de agua y jabón y un trapo o una brocha para aplicarla.

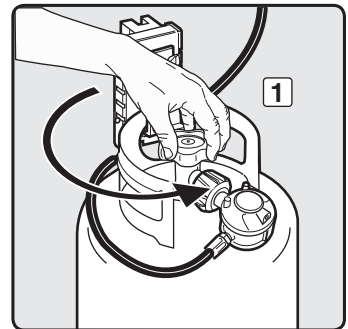
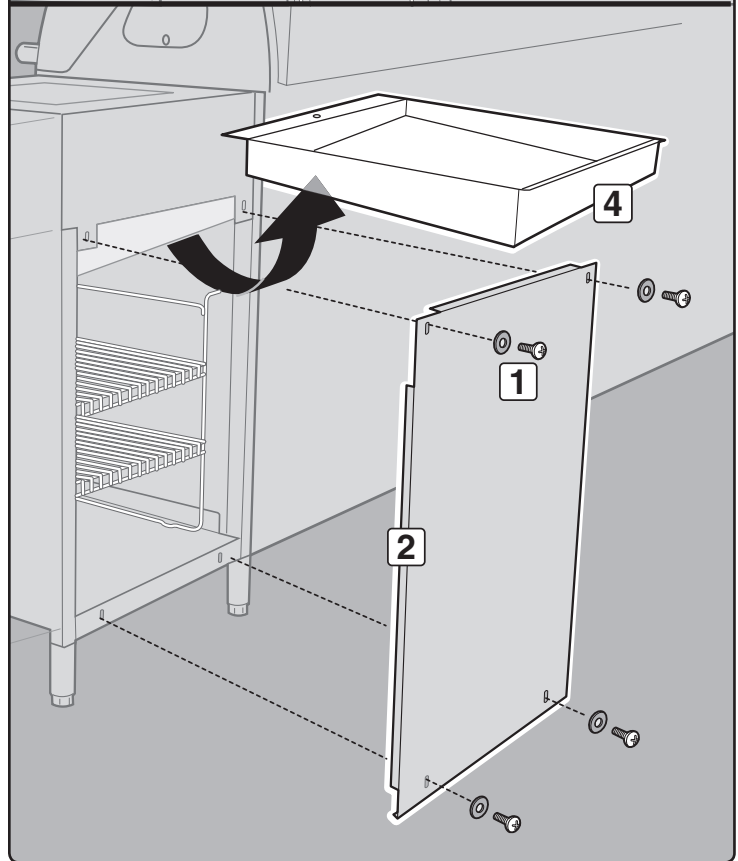
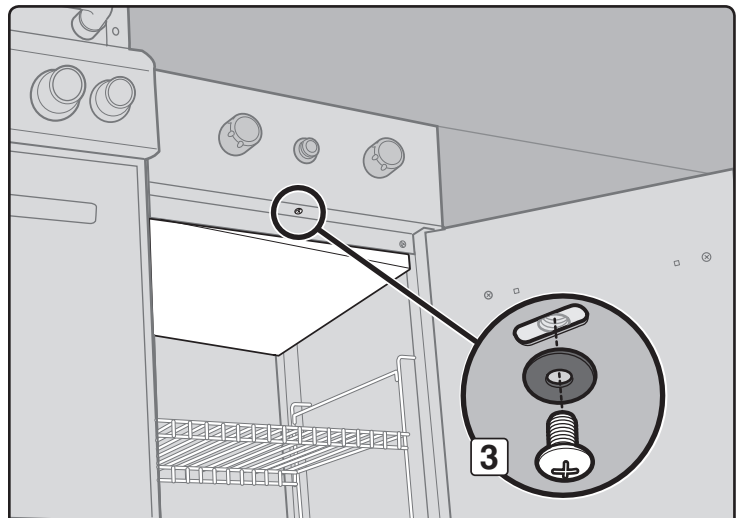
- Mezcle agua y jabón.
- Abra el suministro de gas (1).
- Compruebe la existencia de fugas mojando las conexiones con la solución de agua y jabón y viendo si se generan burbujas. Si se forman burbujas, o si una burbuja crece, es que hay una fuga.

Si hay una fuga, cierre el gas y apriete la conexión. Abra el gas de nuevo y con la solución de jabón y agua vuelva a verificar que no existan fugas. Si la fuga no cesa no utilice la barbacoa. Contacte al Representante de Servicios al Cliente en su área utilizando la información de contacto en nuestro sitio web. Conéctese a www.weber.com.

- Cuando se haya completado la comprobación de las fugas de gas, cierre el suministro de gas en la fuente y lave las conexiones con agua.

Nota: Dado que algunas soluciones para la detección de fugas, incluyendo el agua y jabón, pueden ser ligeramente corrosivas, todas las conexiones deberán enjuagarse con agua después de realizar la comprobación de las fugas.

⚠ **ADVERTENCIA:** Cada vez que conecte o desconecte una conexión de gas, deberá verificar que no hayan fugas de gas.



INSTRUCCIONES SOBRE EL GAS

Revise

- A) La conexión de la línea de gas al múltiple (1).
- B) La conexión de la línea de gas del asador giratorio (quemador infrarrojo) (2).
- C) La conexión del tabique y la manguera de suministro de gas (3).
- D) La conexión de la manguera del quemador lateral al tabique (4).

⚠ **ADVERTENCIA: Si hubiese una fuga en una conexión (1, 2, o 4), vuelva a apretar la conexión con una llave y con la solución de agua y jabón vuelva a verificar que no hayan fugas de gas. Si una fuga persiste aún después de volver a apretar la conexión, CIERRE el gas. NO OPERE LA BARBACOA. Contacte al Representante de Servicios al Cliente en su área utilizando la información de contacto en nuestro sitio web. Conéctese a www.weber.com.**

- E) La conexión de la manguera del quemador lateral al desconectador rápido, las conexiones de la línea del quemador lateral a la válvula y al orificio (5).
- F) Conexión de la manguera al regulador (6).
- G) Conexión del regulador al cilindro (7).
- H) Conexiones de las válvulas al múltiple (8).

⚠ **ADVERTENCIA: Si hubiese una fuga en las conexiones (5, 6, 7 u 8), cierre el gas. NO OPERE LA BARBACOA. Contacte al Representante de Servicios al Cliente en su área utilizando la información de contacto en nuestro sitio web. Conéctese a www.weber.com.**

Cuando se hayan completado las búsquedas de fugas de gas, cierre el suministro de gas en la fuente y enjuague las conexiones con agua.

Vuelva a instalar el panel de control.

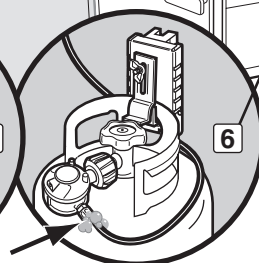
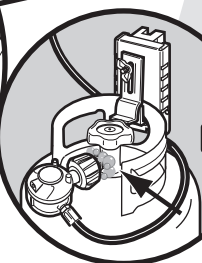
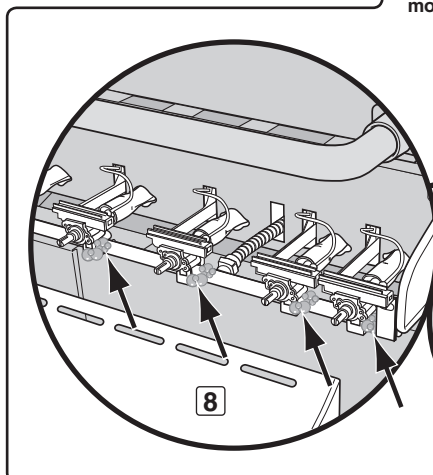
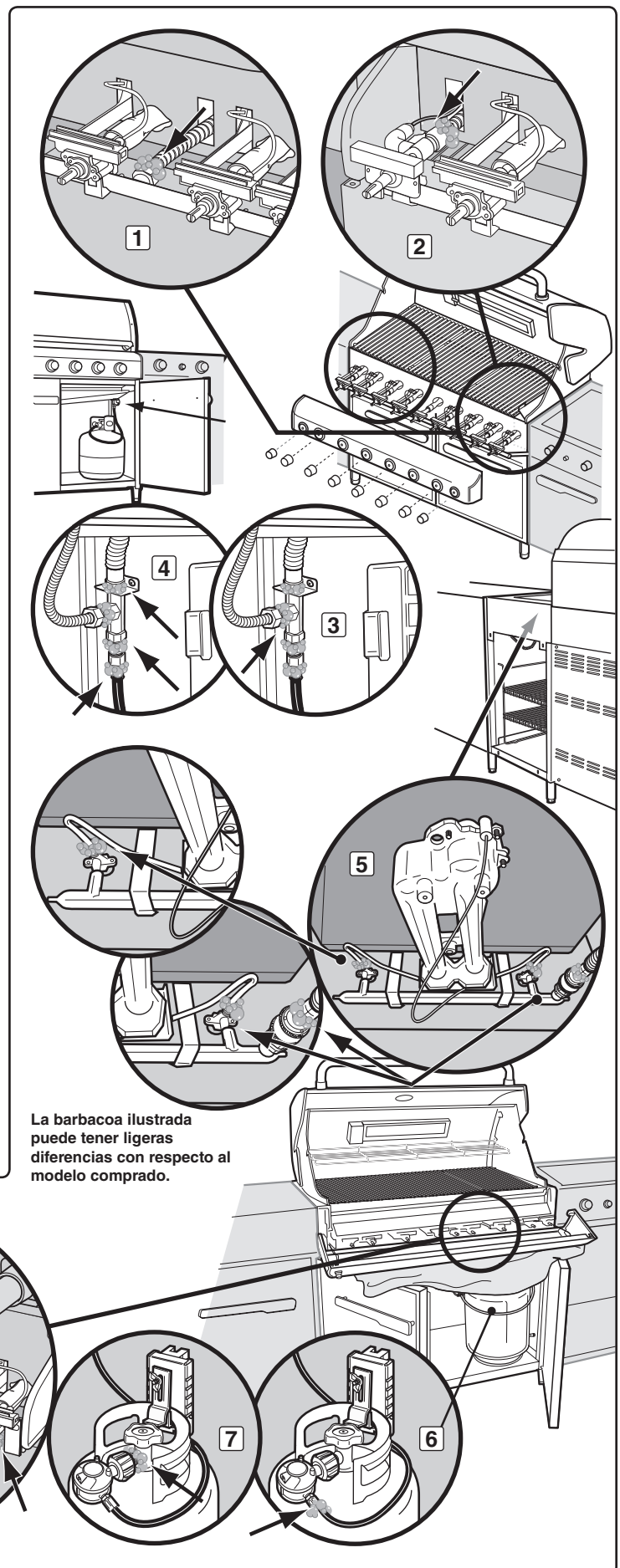
Piezas requeridas: panel de control, tornillos y las perillas de control del quemador.

- A) Coloque el panel de control de vuelta sobre los soportes del mismo a cada lado del frente de la caja de cocción.
- B) Alinee los tornillos con los sus respectivos agujeros tanto en el panel de control como en los soportes de este último. Apriete los tornillos.
- C) Introduzca las perillas de control correspondientes sobre los vástagos de las válvulas.

Vuelva a instalar el deflector de agua del gabinete del quemador lateral

Herramientas requeridas: Destornillador Phillips.

- A) El empuje el borde delantero del deflector de agua hacia arriba y a un ángulo dentro del gabinete del quemador lateral. El borde delantero se apoya sobre el reborde de la parte de abajo de la mesa. Gire el borde posterior del deflector hacia arriba y haga que se apoye sobre el reborde posterior de la mesa.
- B) Vuelva a colocar los tornillos que fijan el deflector de agua del gabinete del deflector lateral. ♦



INSTRUCCIONES SOBRE EL GAS

CÓMO RECARGAR EL CILINDRO DE PROPANO LICUADO

Le recomendamos que llene su cilindro de gas propano licuado antes de que éste se vacíe por completo.

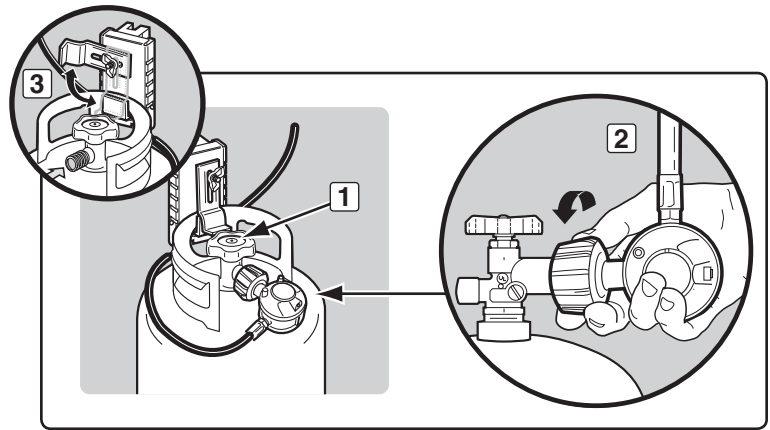
Cómo retirar el cilindro de gas propano licuado.

- A) Cierre la válvula del tanque (gire en el sentido de las agujas del reloj) (1).
- B) Desenrosque el cople del regulador girándolo, solamente a mano, en sentido contrario a las agujas del reloj (2).
- C) Afloje la tuerca de mariposa del seguro del cilindro y voltee el seguro hacia arriba para que no moleste (3).
- D) Levante el cilindro del soporte.

Para llenar un cilindro de gas propano, llévelo a un expendedor de gas propano, o busque a otros suplidores bajo "gas propano" en el directorio telefónico.

⚠ ADVERTENCIA: Recomendamos llenar su cilindro de gas propano licuado con un distribuidor de gas propano autorizado que tenga un encargado debidamente calificado y que llene el tanque en base a peso. EL LLENADO INCORRECTO ES PELIGROSO.

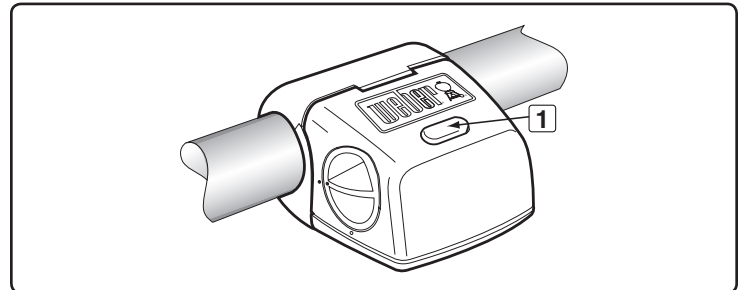
⚠ PRECAUCIÓN: Siempre que el cilindro esté sin usarse, coloque la capucha antipolvo sobre la salida de la válvula del mismo. Sólo instale sobre la salida de la válvula el tipo de capucha antipolvo con la que vino provista la misma. Otros tipos de capuchas o tapones pudieran causar fugas de propano. ♦



ILUMINACIÓN

LÁMPARA DE ASA WEBER® GRILL OUT™

La Lámpara de Asa Weber Grill Out™ cuenta con un "sensor de inclinación." Con el botón de encendido (1) activado, la luz se encenderá al abrirse la tapa. La luz se apagará al cerrar la tapa. Para usarse durante el día, desactive al sensor pulsando el botón de encendido (1). ♦

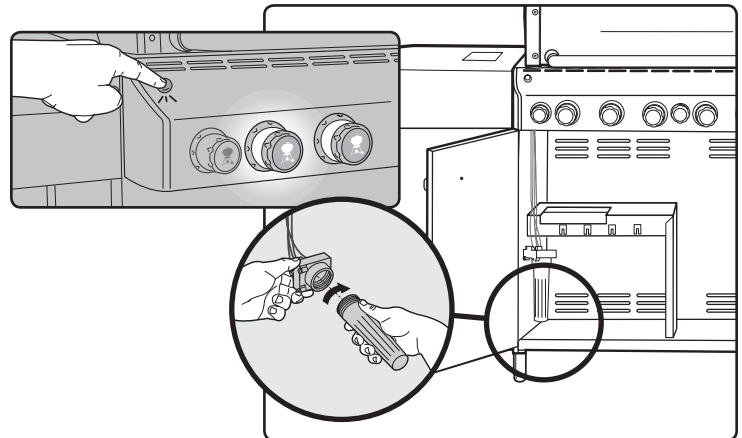


PERILLAS DE CONTROL ILUMINADAS

La barbacoa de gas viene con perillas de control que se iluminan; ello le permite ajustar finamente el calor, incluso bajo condiciones de poca luz.

Requiere tres baterías alcalinas "D." No mezcle baterías nuevas con viejas o diferentes tipos de baterías entre sí (normales, alcalinas, o recargables). El compartimento de las baterías está ubicado dentro del gabinete en el lado izquierdo.

Para operarlas, active el botón de encendido. ♦



ANTES DE UTILIZAR LA BARBACOA

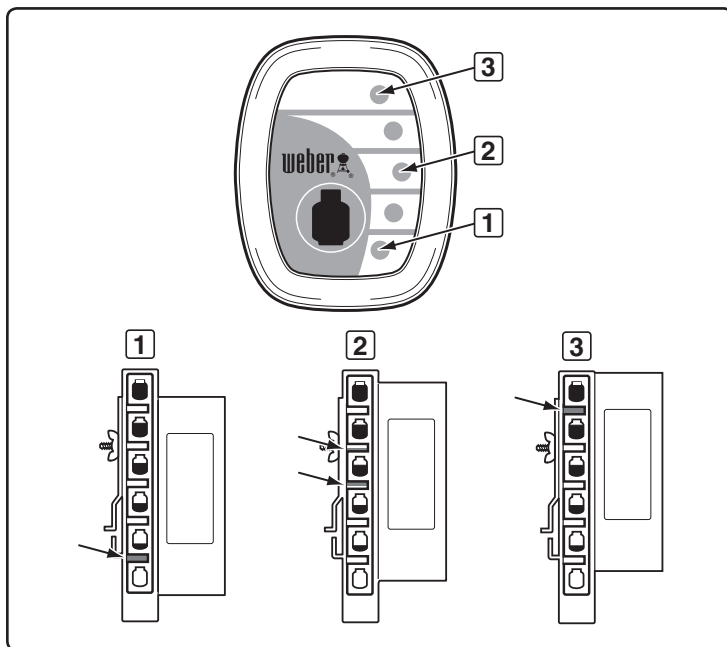
NIVEL DE COMBUSTIBLE

Existen dos maneras de verificar el nivel de combustible en el tanque: electrónica y manualmente.

Para verificar el nivel mediante la báscula electrónica del tanque, pulse el botón de la báscula del tanque, ubicado a la derecha del panel de control, durante dos-tres segundos. La lámpara LED indica el nivel de combustible en el tanque.

Para verificar el nivel utilizando la báscula manual del tanque, vea la línea de color indicadora de nivel, ubicada al lado de la báscula del tanque.

- A) Vacío (1)
- B) Medio (2)
- C) Lleno (3) ◆



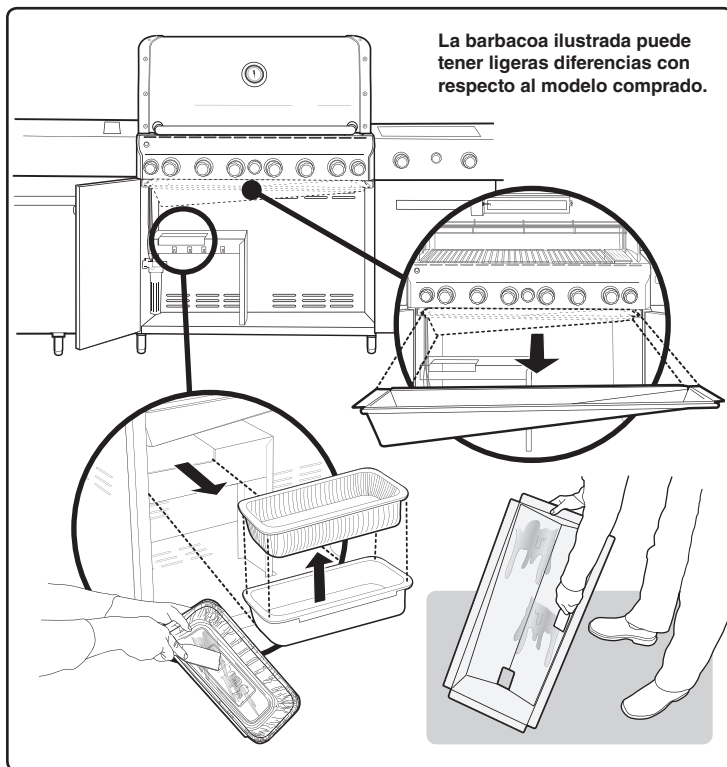
BANDEJA CORREDIZA RECOLECTORA DE GRASA Y BANDEJA DE GOTEADO DESECHABLE

La barbacoa lleva incorporada un sistema de captación de grasa. Cada vez que vaya utilizar la barbacoa, revise la bandeja corrediza recolectora de grasa y la bandeja de goteo desechable para cerciorarse de que no se haya acumulado grasa en las mismas.

Retire el exceso de grasa con una espátula plástica; vea a la ilustración. Cuando sea necesario, lave la bandeja corrediza recolectora de grasa y la bandeja de goteo desechable con una solución de agua y jabón, y luego enjuáguelas con agua limpia. Reemplace la bandeja de goteo desechable en la medida que sea necesario.

⚠ **ADVERTENCIA:** Cada vez que vaya utilizar la barbacoa, revise la bandeja corrediza recolectora de grasa y la bandeja de goteo desechable para cerciorarse de que no se haya acumulado grasa en las mismas. Retire cualquier exceso de grasa para evitar un incendio de grasa. Un incendio de grasa puede causar lesiones corporales graves o daños materiales.

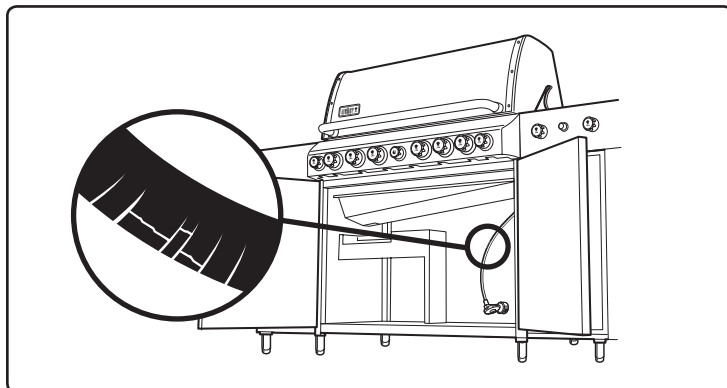
⚠ **PRECAUCIÓN:** No forre la bandeja corrediza recolectora de grasa con hoja de aluminio. ◆



INSPECCIÓN DE LA MANGUERA

Se deberá inspeccionar la manguera para ver si tiene alguna señal de agrietamiento.

⚠ **ADVERTENCIA:** Inspeccione la manguera previo a cada uso de la barbacoa y asegúrese de que no tenga muescas, grietas, abrasiones o cortes. Si se encontrase que la manguera estuviese dañada de cualquier manera, no utilice la barbacoa. Reemplácela solamente con una manguera de repuesto autorizada por Weber®. Contacte al Representante de Servicios al Cliente en su área utilizando la información de contacto en nuestro sitio web. Conéctese a www.weber.com. ◆

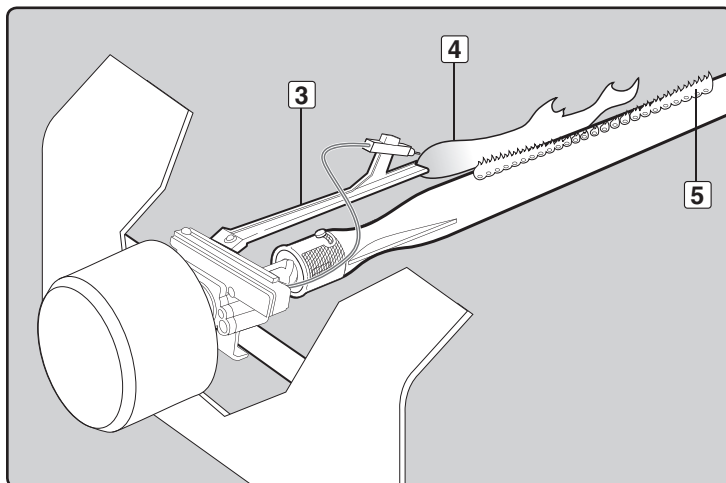
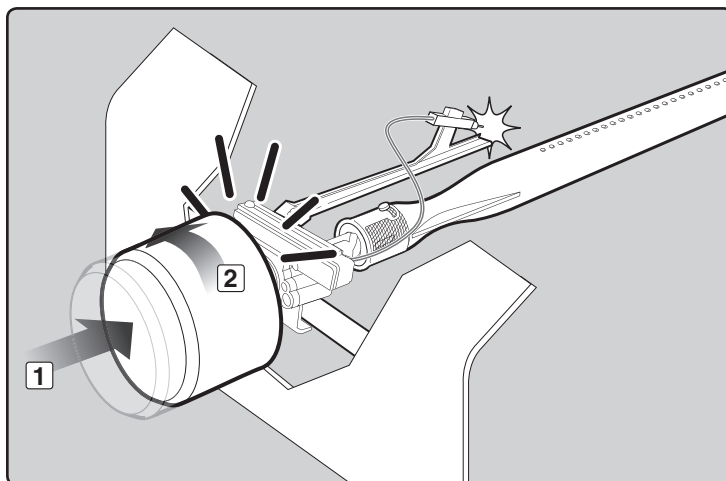


OPERACIÓN DEL ENCENDIDO DE CHASQUIDO

⚠ Siempre abra la tapa antes encender los quemadores.

- A) Cada perilla de control tiene su propio electrodo de encendido incorporado a ella. Para generar una chispa, debe presionar la perilla de control (1) y girarla a encendido/fuego alto (2).
- B) Esta acción generará un flujo de gas y una chispa al tubo de encendido del quemador (3). Oirá un "chasquido" proveniente del encendedor. También verá una llama anaranjada de 3" – 5" de largo proveniente del tubo encendedor del quemador (4).
- C) **Mantenga presionada la perilla de control durante dos segundos adicionales después del "chasquido."** Esto permitirá que el gas fluya a todo lo largo del tubo quemador (5) y se asegure el encendido.
- D) Verifique que el quemador esté encendido viendo a través de las parrillas de cocción. Deberá ver una llama. Si el encendedor no se encendió al primer intento, presione la perilla de control y gírela a la posición APAGADA y repita el procedimiento una segunda vez.

⚠ **ADVERTENCIA:** Si el quemador no se enciende, gire la perilla del control del quemador a la posición APAGADO y espere cinco minutos para permitir que el gas se disipe antes de tratar de nuevo o de tratar de encenderlo con un cerillo. ♦



ENCENDIDO Y USO DEL QUEMADOR PRINCIPAL

ENCENDIDO DEL QUEMADOR PRINCIPAL

Dentro del puerta izquierda del gabinete se encuentran las instrucciones resumidas de encendido.

⚠ PELIGRO

El no abrir la tapa mientras se esté encendiendo el quemador de la barbacoa, o no esperar cinco minutos para que el gas se disipe si la barbacoa no se enciende, puede resultar en una llamarada explosiva, la cual puede causar lesiones corporales serias o la muerte.

Encendido Rápido del Quemador Principal

Nota: Cada perilla de control de encendido rápido crea una chispa que va del electrodo de encendido al tubo quemador de encendido. Al presionar la perilla de control y girarla a encendido/fuego alto, usted genera la energía para la chispa. Esto encenderá cada quemador individual.

⚠ **ADVERTENCIA:** Inspeccione la manguera previo a cada uso de la barbacoa y asegúrese de que no tenga muecas, grietas, abrasiones o cortes. Si se encontrase que la manguera estuviese dañada de cualquier manera, no utilice la barbacoa. Reemplácela solamente con una manguera de repuesto autorizada por Weber®. Contacte al Representante de Servicios al Cliente en su área utilizando la información de contacto en nuestro sitio web. Conéctese a www.weber.com®.

- A) Abra la tapa (1).
- B) Asegúrese de que todas las perillas de control de los quemadores estén cerradas (2). (Presione la perilla de control y gírela en dirección de las agujas del reloj para asegurarse de que esté en la posición APAGADA.)

⚠ **ADVERTENCIA:** Las perillas de control de los quemadores deberán estar en la posición APAGADO antes de abrir la válvula del tanque de propano licuado. Si no lo estuviesen, cuando abra la válvula del tanque de propano licuado se activará el control de exceso de flujo y limitará el flujo de gas desde el tanque de propano licuado. Si esto llegase a ocurrir, cierre la válvula del tanque de propano y las perillas de control de los quemadores y empiece de nuevo. Luego comience de nuevo.

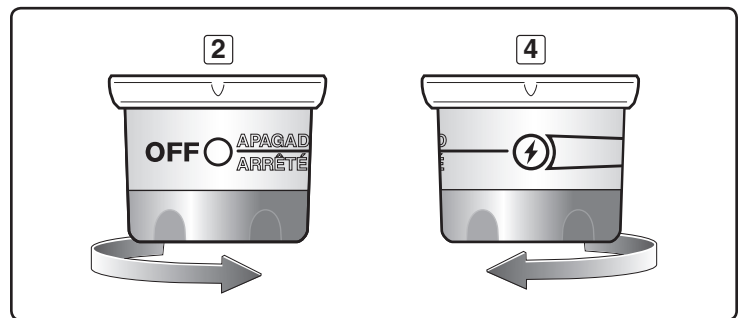
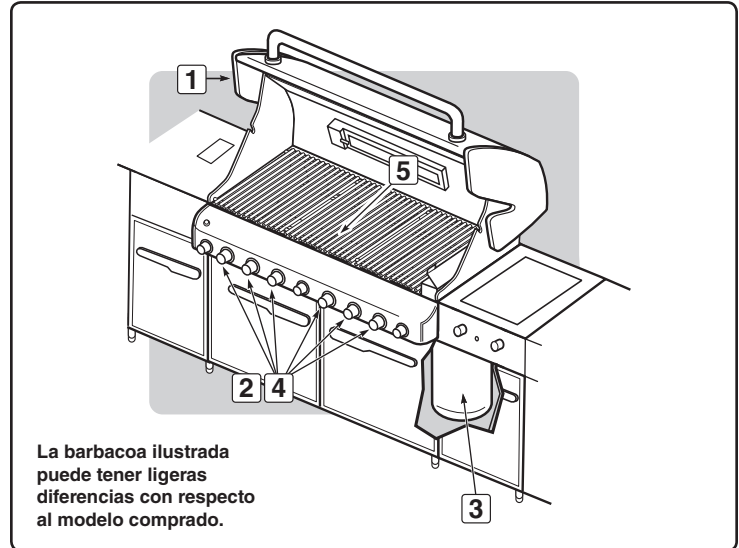
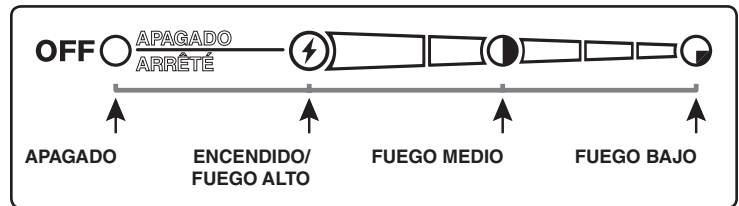
⚠ PELIGRO

Cuando se activa el control de exceso de flujo, una pequeña cantidad de gas sigue fluyendo a los quemadores. Después de cerrar la válvula del tanque y las perillas de control de los quemadores, espere por lo menos cinco minutos para que el gas se disipe antes de tratar de encender la barbacoa. El no hacer esto podría resultar en una llamarada explosiva que pudiera causar lesiones corporales serias o la muerte.

- C) Abra el suministro de gas del cilindro girando la válvula del cilindro en dirección contraria a las agujas del reloj (3).
- ⚠ **ADVERTENCIA:** No se incline sobre la barbacoa abierta.
- D) Presione la perilla de control y gírela hacia encendido/fuego alto hasta que oiga el chasquido del encendedor (4); mantenga a la perilla de control en dicha posición durante dos segundos. Esta acción hará que el encendedor genere una chispa y encienda el tubo piloto y luego el quemador principal.
- E) Verifique que el quemador esté encendido viendo a través de las parrillas de cocción (5). Deberá ver una llama. Si el encendedor no se encendió al primer intento, presione la perilla de control y gírela a la posición APAGADO y repita el procedimiento una segunda vez.
- ⚠ **ADVERTENCIA:** Si el quemador no se enciende, gire la perilla del control del quemador a la posición apagado y espere cinco minutos para permitir que el gas se disipe antes de tratar de nuevo o de tratar de encenderlo con un cerillo. ♦

PARA APAGAR

Presione y gire la perilla de control de cada quemador en dirección de las agujas del reloj a la posición APAGADO. Cierre el suministro de gas en la fuente del mismo. ♦



ENCENDIDO Y USO DEL QUEMADOR PRINCIPAL

ENCENDIDO MANUAL DEL QUEMADOR PRINCIPAL

⚠ PELIGRO

El no abrir la tapa mientras se esté encendiendo el quemador de la barbacoa, o no esperar cinco minutos para que el gas se disipe si la barbacoa no se enciende, puede resultar en una llamarada explosiva, la cual puede causar lesiones corporales serias o la muerte.

- A) Abra la tapa (1).
- B) Asegúrese de que todas las perillas de control de los quemadores estén cerradas (2). (Presione cada perilla hacia abajo y gírela en dirección de las agujas del reloj para asegurarse de que estén cerradas en la posición APAGADO.)

⚠ **ADVERTENCIA:** Las perillas de control de los quemadores deberán estar en la posición APAGADO antes de abrir la válvula del tanque de propano licuado. Si no lo estuviesen, cuando abra la válvula del tanque de propano licuado se activará el control de exceso de flujo y limitará el flujo de gas desde el tanque de propano licuado. Si esto llegase a ocurrir, cierre la válvula del tanque de propano líquido y las perillas de control de los quemadores. Luego empiece de nuevo.

⚠ PELIGRO

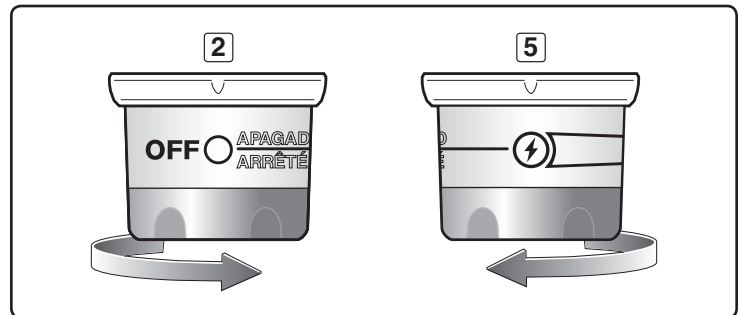
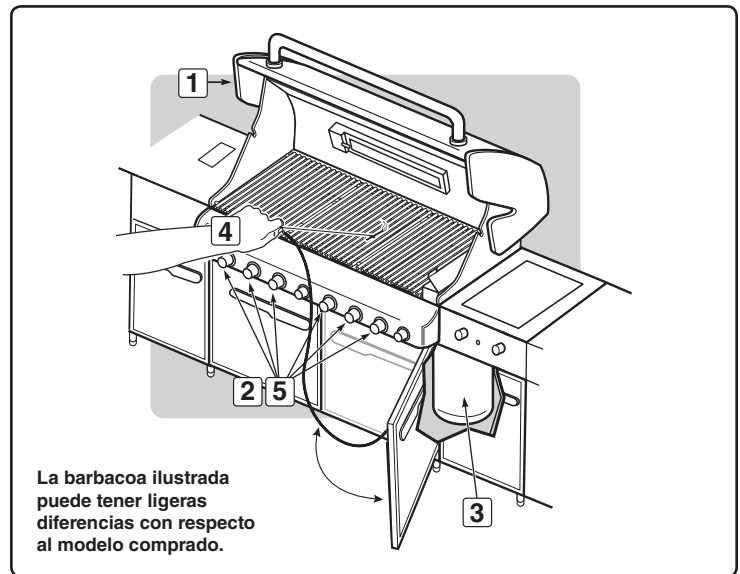
Cuando se activa el control de exceso de flujo, una pequeña cantidad de gas sigue fluyendo a los quemadores. Después de cerrar la válvula del tanque y las perillas de control de los quemadores, espere por lo menos cinco minutos para que el gas se disipe antes de tratar de encender la barbacoa. El no hacer esto podría resultar en una llamarada explosiva que pudiera causar lesiones corporales serias o la muerte.

- C) Abra el suministro de gas del cilindro girando la válvula del cilindro en dirección contraria a las agujas del reloj (3).
- D) Coloque el cerillo en el portacerillos y enciéndalo.
- E) Inserte el portacerillos con el cerillo encendido a través de las parrillas de cocción y de las barras Flavorizer® para encender el quemador seleccionado (4).
- F) Presione la perilla de control del quemador y gírela hacia encendido/fuego alto (5).
- G) Verifique que el quemador esté encendido viendo a través de las parrillas de cocción (6). Deberá ver una llama.

⚠ **ADVERTENCIA:** Si el quemador no se enciende, gire la perilla del control del quemador a la posición APAGADO y espere cinco minutos para permitir que el gas se disipe antes de tratar de nuevo. ♦

PARA APAGAR

Presione y gire la perilla de control de cada quemador en el sentido de las agujas del reloj a la posición APAGADO. Cierre el suministro de gas en la fuente. ♦

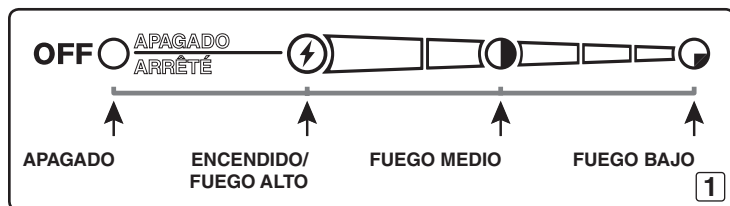


CONSEJOS PRÁCTICOS PARA ASAR

- Siempre precaliente la barbacoa antes de cocinar en la misma. Ajuste todos los quemadores a la posición llama alta y cierre la tapa, caliente durante 10 minutos, o hasta que el termómetro marque 500° – 550° F (260° – 288° C).
- Para alimentos siempre perfectamente asadas, dore la carnes y cocine con la tapa cerrada.
- Los tiempos de asado en las recetas son en base a una temperatura ambiental de 70° F (20° C) y poco o ningún viento. Permita un mayor tiempo de cocción en días fríos o de viento, o a mayores altitudes. Permita menos tiempo de cocción en climas extremadamente calurosos.
- Los tiempos pueden variar a causa del clima, o la cantidad, tamaño, y forma de los alimentos asados.
- La temperatura de operación de la barbacoa de gas podría ser más caliente de lo normal durante los primeros usos.
- Las condiciones de asado pueden requerir el ajuste de los controles de los quemadores para obtener las temperaturas de cocción correctas.
- Por lo general, las piezas de carne más grandes requerirán mayor tiempo de cocción por libra que las piezas más chicas. Los alimentos abarrotados sobre una parrilla de cocción requerirán de más tiempo de cocción que sólo unos pocos alimentos. Los alimentos asados dentro de recipientes, tales como judías en salsa de tomate, tomarán más tiempo si se cocinan en una cacerola profunda que en una olla llana.
- Recorte el exceso de grasa de los bistecs, chuletas, y asados, dejando apenas ¼ de pulgada (6.4 mm) de grasa. Menos grasa facilita la limpieza, y es una garantía casi absoluta contra las indeseadas llamaradas.
- Los alimentos colocados sobre la parrilla de cocción directamente encima de los quemadores pudieran requerir que se les dé la vuelta o que se les mueva a un área menos caliente.
- Use tenacillas en vez de un tenedor para dar vuelta y manipular las carnes para así evitar perder los jugos naturales. Use dos espátulas para manipular un pescado entero grande.
- Si llegase a ocurrir alguna llamarada indeseada, apague todos los quemadores y mueva los alimentos a otra zona de la parrilla de cocción. Cualquier llama se apagará rápidamente. Una vez que las llamas se apaguen, vuelva a encender la parrilla. **JAMÁS USE AGUA PARA EXTINGUIR LAS LLAMAS EN UNA PARRILLA DE GAS.**
- Algunos alimentos, tales como los guisos o los filetes delgados de pescado, requerirán de un recipiente para asarlos. Las ollas desechables de lámina son muy convenientes, pero puede usarse cualquier olla de metal con asas resistentes al calor.
- Asegúrese siempre de que la bandeja corredera recolectora de grasa y el plato recolector estén limpios y libres de desechos.
- No forre la bandeja corredera recolectora de grasa con papel aluminio. Ello podría prevenir que la grasa fluya al plato recolector.
- El usar un temporizador al ayudará a alertarle cuando “bien cocido” esté a punto de convertirse en “sobre cocido.” ♦

PRECALENTADO

La barbacoa de gas Weber® es un artefacto que utiliza la energía eficientemente. La misma opera a una baja tasa de consumo calorífico. Es importante precalentar la barbacoa antes de asar. Encienda su Barbacoa de Gas Summit® de acuerdo con las instrucciones en este Guía del Propietario. Para precalentar: tras encender, gire los quemadores a la posición encendido/fuego alto, cierre la tapa, y caliente hasta que la temperatura alcance entre 500° y 550° F (260° y 290°C), la temperatura recomendada para asar. Esto tomará entre 10 y 15 minutos, dependiendo de tales condiciones como la temperatura del aire y el viento.



Puede ajustar los quemadores individuales a su gusto. Los ajustes de control son APAGADO, ENCENDER/FUEGO ALTO, FUEGO MEDIO, y FUEGO BAJO (1).

Nota: Durante los primeros usos de la barbacoa, la temperatura dentro de la caja de cocción será mayor que la indicada en el libro de recetas debido a que las superficies de la caja de cocción siguen siendo aún reflectoras. Las condiciones bajo las que se esté cocinando, tales como el viento y el tiempo, pueden hacer que se requieran ajustes a los controles de los quemadores para obtener las temperaturas de cocción correctas.

Nota: Si la barbacoa pierde calor mientras se está cocinando, refiérase a la sección de resolución de problemas de este manual.

⚠ ADVERTENCIA: No mueva la barbacoa de gas Weber® mientras esté en operación o esté caliente.

Si los quemadores se apagan durante la cocción, apague todos los quemadores y espere cinco minutos antes de volver a encender. ♦

COCCIÓN CUBIERTA

Todo asado deberá realizarse con la tapa cerrada para proporcionar un calor uniforme y con una circulación pareja. Con la tapa cerrada, la Barbacoa de Gas Summit® cocinará de manera muy parecida a un horno de convección. El termómetro en la tapa indica la temperatura de cocción dentro de la barbacoa. Todo precalentamiento y cocción se realiza con la tapa cerrada. Nada de miraditas—se pierde calor cada vez que usted abre la tapa. ♦

PRINGUES Y GRASA

Las barras del Flavorizer® han sido diseñadas para “ahumar” la cantidad correcta de pringues y así obtener una cocción con bastante sazón. Los jugos de cocción y el exceso de grasa se acumularán en el plato recolector debajo de la bandeja corredera recolectora de grasa. Hay disponibles bandejas de goteo desechables que caben en el plato recolector.

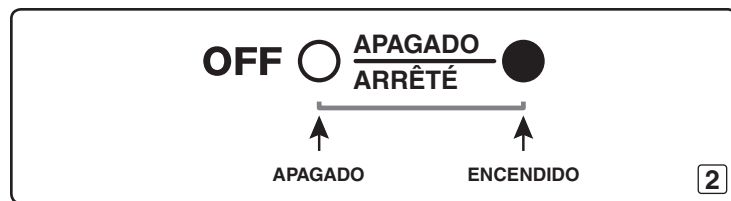
⚠ ADVERTENCIA: Antes de cada uso, revise que no haya grasa acumulada en la bandeja corredera recolectora de grasa y en el plato recolector. Retire el exceso de grasa para evitar que ésta se incendie en la bandeja corredera recolectora de grasa. ♦

EL SISTEMA FLAVORIZER®

Cuando los jugos de carne chorrean de la comida a las barras Flavorizer® colocadas a un ángulo especial, estas crean un humo que le da a la comida una sazón a barbacoa irresistible. Gracias al diseño único de los quemadores, las barras Flavorizer® y los flexibles controles de temperatura, los fognazos descontrolados han sido virtualmente eliminados, pues USTED controla las llamas. Debido al diseño especial de las barras Flavorizer® y de los quemadores, las grasas en exceso son dirigidas a través de la bandeja corredera recolectora de grasa al plato recolector. ♦

ESTACIÓN DE DORADO SEAR STATION®

Su barbacoa Weber® podría incluir un quemador para dorar carnes y pescados de poco espesor. El quemador de la estación de dorado Sear Station® tiene un ajuste de control OFF, START/HI o LOW (2) que funciona en conjunto con los dos quemadores principales adyacentes. Con el quemador para dorar y los quemadores adyacentes, puede dorar las carnes de manera efectiva mientras usa las demás áreas de cocción para cocinar bajo calor moderado (consulte la sección “ENCENDIDO Y USO DE LA ESTACIÓN DE DORADO SEAR STATION®”). ♦



MÉTODOS DE COCCIÓN

Lo más importante que hay que saber acerca de asar es cual método de cocción usar para un alimento específico, el método directo o indirecto. La diferencia es sencilla: colocar los alimentos directamente sobre el fuego, o encender el fuego a cada lado de ellos. Usar el método correcto es la ruta más corta a resultados fabulosos—y la mejor manera de garantizar la seguridad de que esté bien cocido. ♦

COCCIÓN DIRECTA

El método directo, similar al asado, significa que los alimentos se cocinan directamente sobre la fuente de calor. Para una cocción pareja, los alimentos deberán voltearse una vez a la mitad del tiempo de asado. Use el método directo para alimentos que toman menos de 25 minutos en asarse: bistecs, chuletas, brochetas, salchichas, vegetales, y más.

La cocción directa también es necesaria para dorar las carnes. La doradura crea esa fabulosa textura crujiente y caramelizada donde el alimento toca la parrilla. También le da un gran color y sazón a toda la superficie. Los bistecs, chuletas, pechugas de pollo, y los cortes mayores de carne todos se benefician de la doradura.

Para dorar las carnes, colóquelas sobre fuego alto directo durante dos a cinco minutos por lado. Las piezas menores requieren menos tiempo de doradura. Normalmente después de dorar se termina de asar los alimentos a una temperatura más baja. Puede asar aquellos alimentos que se cocinan rápido usando el método directo; utilice el método indirecto para los alimentos que tardan más en asarse.

Para poner a punto la parrilla para la cocción directa, precaliéntela con todos los quemadores en fuego alto. Coloque los alimentos sobre la parrilla de cocción y luego ajuste todos los quemadores a la temperatura indicada en la receta. Cierre la tapa de la barbacoa y levántela solamente para darle vuelta a los alimentos o comprobar cuán bien hecha está al final del tiempo recomendado de cocción. ♦

COCCIÓN INDIRECTA

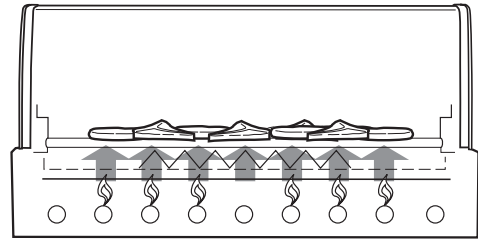
El método indirecto es similar al asado, pero con el beneficio adicional de esa textura, sazón, y apariencia de la comida a la parrilla que no se puede obtener en un horno.

Para preparar la barbacoa para la cocción indirecta, se encienden los quemadores a cada lado de los alimentos pero no aquellos directamente debajo de ellos. El calor asciende, se refleja de la tapa y de las superficies internas de la parrilla, y circula para cocinar lentamente los alimentos de manera pareja por todos los lados, en forma muy similar a un horno de convección, por lo que no hay necesidad de voltearlos.

Utilice el método indirecto para los alimentos que requieran 25 minutos o más de tiempo de asado o que son tan delicados que la exposición directa a la llama los secaría o quemaría. Los ejemplos incluyen asados, costillas, pollos enteros, pavos, y otros cortes grandes de carne al igual que filetes delicados de pescado.

Para preparar la barbacoa de gas para la cocción indirecta, precaliéntela con todos los quemadores en FUEGO ALTO. Luego ajuste los quemadores de cada lado de los alimentos a la temperatura indicada en la receta y apague el (los) quemador(es) directamente debajo de ellos. Para los mejores resultados, coloque los asados, aves, o cortes grandes de carne sobre una rejilla de asar colocada dentro de una bandeja desechable de lamina gruesa. Para tiempos de cocción más largos, agregue agua a la bandeja de lámina para evitar que el chorreo de grasa se queme. El chorreo de grasa puede usarse para hacer salsa. ♦

6 QUEMADORES

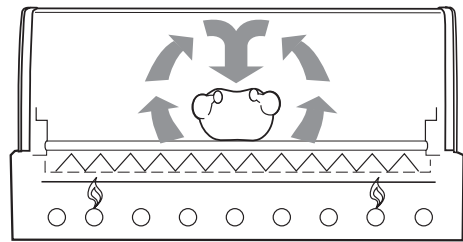


1 2 3 4 5 6
H H H H H H

MÉTODO DIRECTO

Los alimentos se colocan en el área de las parrillas de cocción directamente encima de los quemadores encendidos.

6 QUEMADORES



1 2 3 4 5 6
M M M M M M

MÉTODO INDIRECTO

Los alimentos se colocan en el área de las parrillas de cocción entre los quemadores indirectos.

ENCENDIDO Y USO DEL QUEMADOR LATERAL

ENCENDIDO DEL QUEMADOR LATERAL

Instrucciones resumidas para el encendido se encuentran dentro de la puerta izquierda del gabinete.

⚠ PELIGRO

El no abrir la tapa mientras se esté encendiendo el quemador lateral, o no esperar cinco minutos para que el gas se disipe si el quemador lateral no se enciende, puede resultar en una llamarada explosiva, la cual puede causar lesiones corporales serias o la muerte.

- ⚠ **ADVERTENCIA:** Inspeccione la manguera previo a cada uso de la barbacoa y asegúrese de que no tenga muescas, grietas, abrasiones o cortes. Si se encontrase que la manguera está dañada de cualquier manera, no utilice la barbacoa. Reemplácela solamente con una manguera de repuesto autorizada por Weber®. Contacte al Representante de Servicios al Cliente en su área utilizando la información de contacto en nuestro sitio web. Conéctese a www.weber.com®.

Nota: El quemador lateral cuenta con un quemador interno (1) y un quemador externo (2). Primero debe encender el quemador interno utilizando el botón de encendido. El quemador externo se enciende a partir de la llama del quemador interno. Siga las instrucciones indicadas a continuación para encender los quemadores en la secuencia correcta.

- A) Retire la tapa del quemador lateral presionando ligeramente hacia abajo sobre el borde delantero a la vez que levanta el borde posterior (1). (Guarde la tapa del quemador lateral en el gabinete de la barbacoa.)
- ⚠ **PRECAUCIÓN:** No utilice la tapa como una superficie ni para cocinar ni para cortar.
- B) Presione cada perilla de control del quemador lateral y gírela en dirección de las agujas del reloj para asegurarse de que las válvulas del quemador estén en la posición apagada (OFF) (2). Apague todos los quemadores que no estén siendo utilizados (presione y gire en dirección de las agujas del reloj).
- C) Abra la válvula de suministro de gas (3).

Encienda el quemador interno

- A) Presione la perilla de control del quemador lateral (1) y gírela a la posición START/ HI (encendido/fuego alto) (4).

⚠ **ADVERTENCIA:** No encienda el quemador interno (1) y el quemador externo a la vez (2). Ello podría resultar en un fuego o explosión causantes de serias lesiones corporales o la muerte, además de daños materiales.

- B) Pulse el botón de encendido (5). Lo oírás hacer clic.

⚠ **PRECAUCIÓN:** En días soleados, la llama del quemador lateral puede ser difícil de ver.

⚠ **ADVERTENCIA:** Si el quemador lateral no se enciende en cinco segundos:

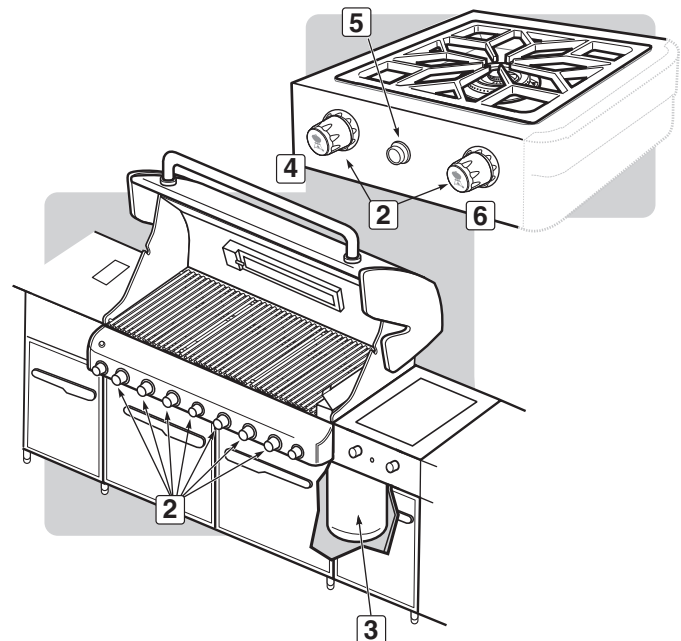
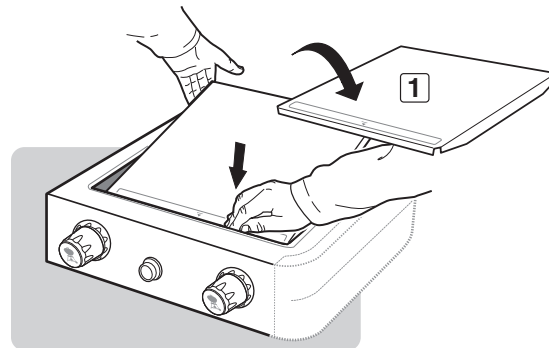
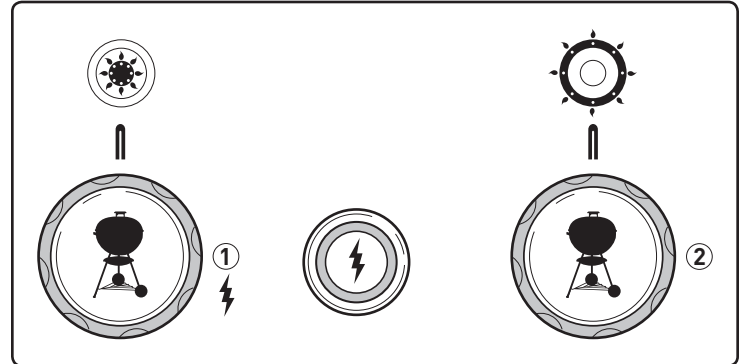
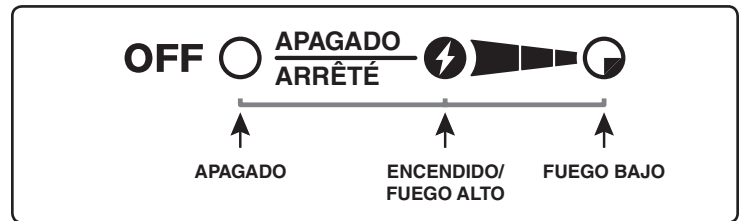
- a) Apague la válvula de control del quemador lateral, los quemadores principales y el suministro de gas en la fuente.
- b) Espere cinco minutos para permitir que el gas se disipe antes de intentarlo de nuevo, o pruebe encenderlo con un cerillo (consulte "ENCENDIDO MANUAL DEL QUEMADOR LATERAL").

Encienda el quemador externo

- A) Con el quemador interno encendido, presione la perilla de control del quemador lateral (2) y gírela a la posición START/HI (encendido/fuego alto) (6).
- B) Ajustese a la posición deseada para cocinar. ♦

PARA APAGAR

Presione la perilla de control de cada quemador y gírela a la posición OFF (apagado). Asegúrese de que el quemador esté apagado y frío antes de cerrar la tapa del quemador lateral. ♦



ENCENDIDO Y USO DEL QUEMADOR LATERAL

ENCENDIDO MANUAL DEL QUEMADOR LATERAL

Instrucciones resumidas para el encendido se encuentran dentro de la puerta izquierda del gabinete.

⚠ PELIGRO

El no abrir la tapa mientras se esté encendiendo el quemador lateral, o no esperar cinco minutos para que el gas se disipe si el quemador lateral no se enciende, puede resultar en una llamarada explosiva, la cual puede causar lesiones corporales serias o la muerte.

- ⚠ **ADVERTENCIA:** Inspeccione la manguera previo a cada uso de la barbacoa y asegúrese de que no tenga muescas, grietas, abrasiones o cortes. Si se encontrase que la manguera esta dañada de cualquier manera, no utilice la barbacoa. Reemplácela solamente con una manguera de repuesto autorizada por Weber®. Contacte al Representante de Servicios al Cliente en su área utilizando la información de contacto en nuestro sitio web. Conéctese a www.weber.com®.

Nota: El quemador lateral cuenta con un quemador interno ① y un quemador externo ②. Primero debe encender el quemador interno utilizando el botón de encendido. El quemador externo se enciende a partir de la llama del quemador interno. Siga las instrucciones indicadas a continuación para encender los quemadores en la secuencia correcta.

- A) Retire la tapa del quemador lateral presionando ligeramente hacia abajo sobre el borde delantero a la vez que levanta el borde posterior (1). (Guarde la tapa del quemador lateral en el gabinete de la barbacoa.)

- ⚠ **PRECAUCIÓN:** No utilice la tapa como una superficie ni para cocinar ni para cortar.

- B) Presione cada perilla de control del quemador lateral y gírela en dirección de las agujas del reloj para asegurarse de que las válvulas del quemador estén en la posición apagada (OFF) (2). Apague todos los quemadores que no estén siendo utilizados (presione y gire en dirección de las agujas del reloj).
C) Abra la válvula de suministro de gas (3).

Encienda el quemador interno

- A) Coloque un cerillo en el portacerillos y enciéndalo.
B) Sostenga el portacerillos y el cerillo encendido en cualquiera de los lados del quemador lateral (4).
C) Presione la perilla de control del quemador lateral ① y gírela a la posición START/HI (encendido/fuego alto) (5).

- ⚠ **ADVERTENCIA:** No encienda el quemador interno ① y el quemador externo a la vez ②. Ello podría resultar en un fuego o explosión causantes de serias lesiones corporales o la muerte, además de daños materiales.

- ⚠ **PRECAUCIÓN:** En días soleados, la llama del quemador lateral puede ser difícil de ver.

- ⚠ **ADVERTENCIA:** Si el quemador lateral no se enciende en cinco segundos:

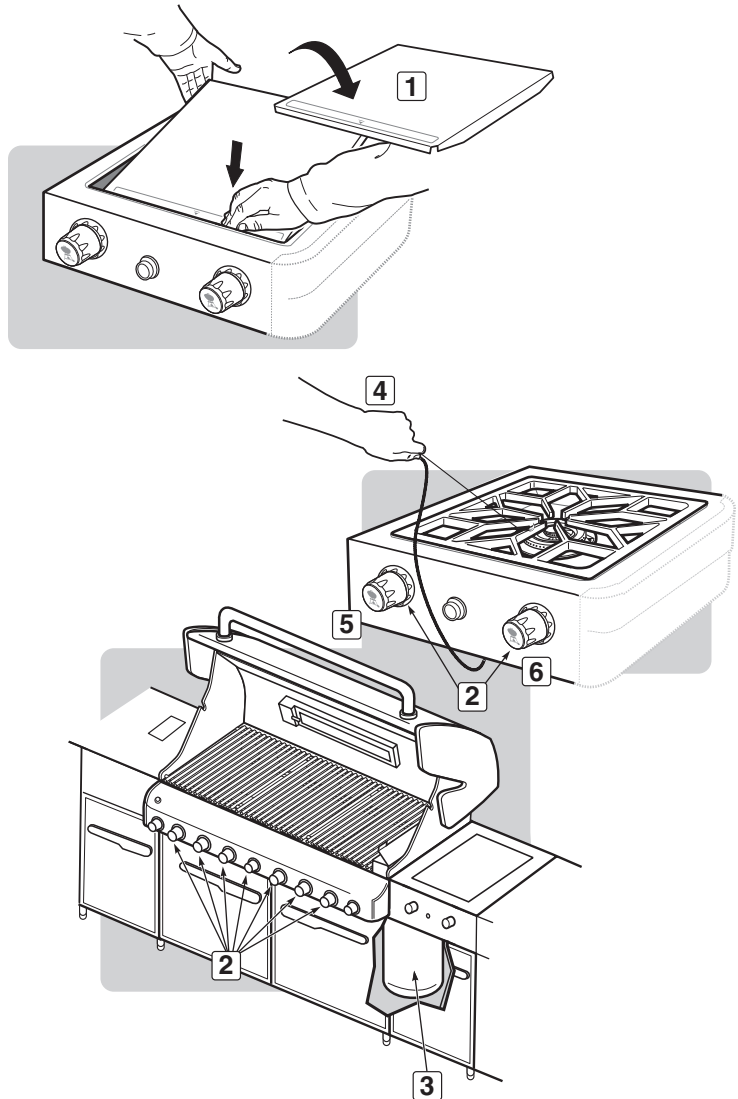
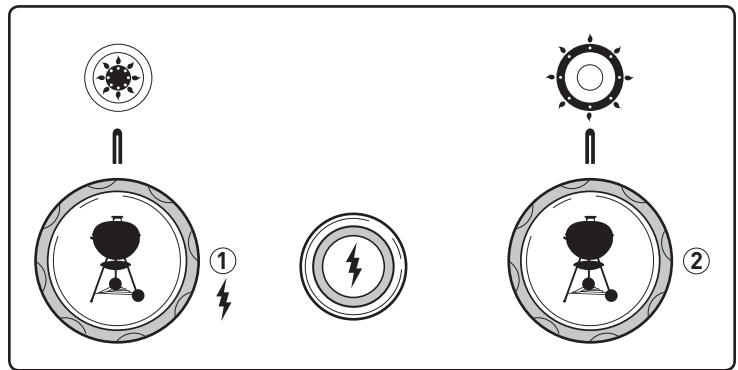
- Apague la válvula de control del quemador lateral, los quemadores principales y el suministro de gas en la fuente.
- Espere cinco minutos para permitir que el gas se disipe antes de intentarlo de nuevo, o pruebe encenderlo con un cerillo (consulte "ENCENDIDO MANUAL DEL QUEMADOR LATERAL").

Encienda el quemador externo

- A) Con el quemador interno encendido, presione la perilla de control del quemador lateral ② y gírela a la posición START/HI (encendido/fuego alto) (6).
B) Ajustese a la posición deseada para cocinar. ♦

PARA APAGAR

Presione la perilla de control del quemador lateral y gírela a la posición OFF (apagado). Asegúrese de que el quemador esté apagado y frío antes de cerrar la tapa del quemador lateral. ♦



ENCENDIDO Y USO DEL QUEMADOR LATERAL

USO DEL QUEMADOR LATERAL

El quemador lateral cuenta con dos aros quemadores para controlar la temperatura de cocción. El quemador ①, o sea el quemador interno, cocina con una llama pequeña y funciona mejor con cacerolas y sartenes pequeñas. El quemador ②, o sea el quemador externo, cocina con una llama grande y funciona mejor con cacerolas, ollas, sartenes y woks más grandes. Para un calor más intenso, puede utilizar ambos quemadores a la vez.

Cómo cocinar con woks

El quemador lateral también viene con un aro para cocinar con woks.

⚠ **IMPORTANTE:** No coloque un wok directamente sobre el quemador lateral. Solamente se deberá utilizar el accesorio wok de Weber® al cocinar sobre el aro para wok incluido.

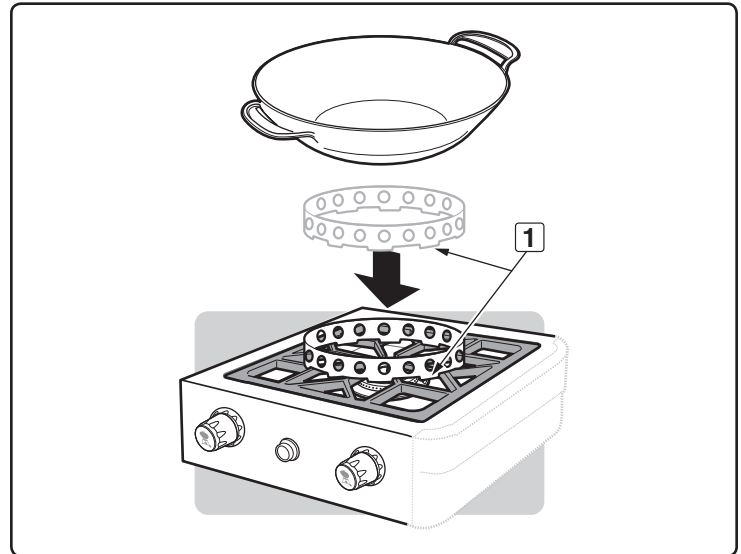
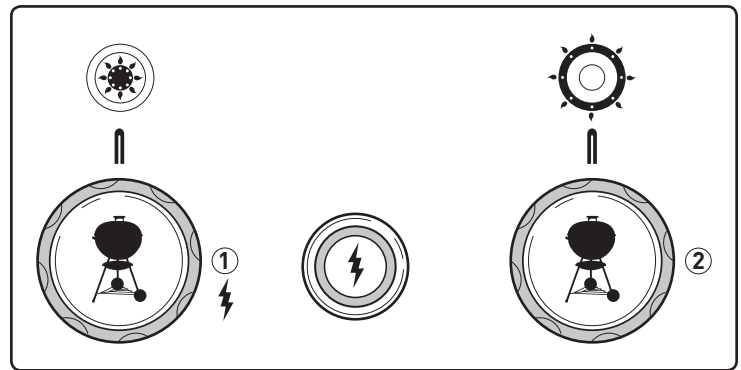
A) Coloque el aro wok en su posición sobre la parrilla del quemador lateral, asegurándose de que las lengüetas de ubicación en el aro encajen dentro de las separaciones en la parrilla (1). El aro deberá quedar en posición horizontal.

Cuando no se esté utilizando, el aro puede guardarse en el gabinete de la barbacoa.

⚠ **ADVERTENCIA:** Utilice solamente una pequeña cantidad de aceite de cocinar al usar el wok para freír con remoción constante. Aceite y temperaturas excesivas pueden ocasionar un incendio que podría causar lesiones corporales graves o la muerte, además de daños materiales.

⚠ PELIGRO

No utilice el quemador lateral para freír en abundante aceite. El aceite de cocinar puede alcanzar el punto inflamación y ocasionar un incendio que resultará en lesiones corporales graves o la muerte, además de daños materiales. ♦



ENCENDIDO Y USO DE LA ESTACIÓN DE DORADO SEAR STATION®

ENCENDIDO DEL QUEMADOR DE LA ESTACIÓN DE DORADO SEAR STATION®

Instrucciones resumidas para el encendido se encuentran dentro de la puerta izquierda del gabinete.

⚠ PELIGRO

El no abrir la tapa mientras se esté encendiendo el quemador del asador, o no esperar cinco minutos para que el gas se disipe si el asador no se enciende, puede resultar en una llamarada explosiva, la cual puede causar lesiones corporales serias o la muerte.

El quemador de la estación para dorar Sear Station® tienen un ajuste de control de encendido y apagado. Para encender el quemador de la estación para dorar Sear Station®, debe primero encender los dos quemadores principales adyacentes.

Encendido de Acción Rápida del Quemador Principal Adyacente

Nota: La perilla de control de encendido de acción rápida de cada quemador principal genera una chispa desde el electrodo de encendido al tubo de encendido del quemador. Usted genera la energía para la chispa al empujar la perilla de control hacia adentro y girar a encendido/fuego alto. Esto encenderá cada quemador individual.

⚠ **ADVERTENCIA:** Inspeccione la manguera previo a cada uso de la barbacoa y asegúrese de que no tenga muescas, grietas, abrasiones o cortes. Si se encontrase que la manguera estuviese dañada de cualquier manera, no utilice la barbacoa. Reemplácela solamente con una manguera de repuesto autorizada por Weber®. Contacte al Representante de Servicios al Cliente en su área utilizando la información de contacto en nuestro sitio web. Conéctese a www.weber.com®.

A) Abra la tapa (1).

B) Asegúrese de que todas las perillas de control de los quemadores estén cerradas (2). (Empuje la perilla de control hacia adentro y gire en dirección de las manecillas del reloj para asegurarse de que esté en la posición APAGADO.)

⚠ **ADVERTENCIA:** Las perillas de control del quemador deberán estar en la posición APAGADA antes de abrir la válvula del tanque de propano licuado. Si no lo estuviesen, cuando abra la válvula del tanque de propano licuado se activará el “control de exceso de flujo” y limitará el flujo de gas desde el tanque de propano licuado. Si esto llegase a ocurrir, cierre la válvula del tanque de propano y las perillas de control del quemador. Luego empiece de nuevo.

⚠ PELIGRO

Cuando se activa el “control de exceso de flujo”, una pequeña cantidad de gas sigue fluyendo a los quemadores. Después de cerrar la válvula del tanque y las perillas de control del quemador, espere por lo menos cinco minutos para que el gas se disipe antes de tratar de encender la barbacoa. El no hacer esto podría resultar en una llamarada explosiva que pudiera causar lesiones corporales serias o la muerte.

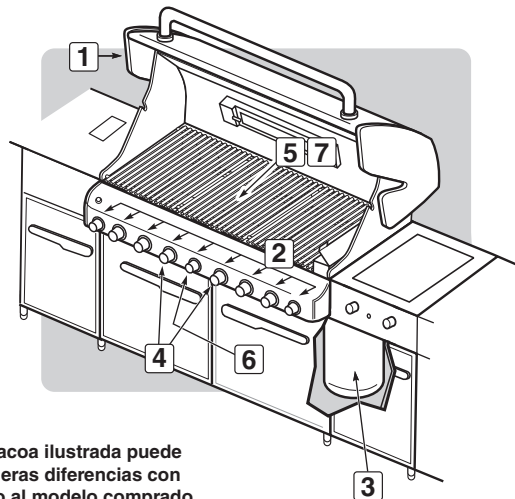
C) Abra el suministro de gas del cilindro girando la válvula del cilindro en dirección contraria a las agujas del reloj (3).

⚠ **ADVERTENCIA:** No se incline sobre la barbacoa abierta.

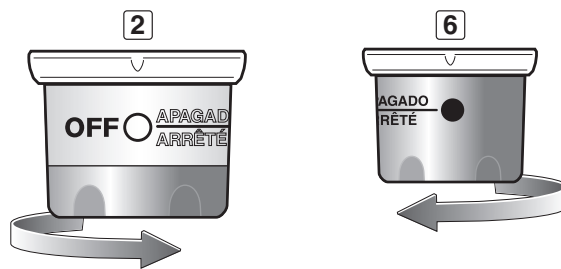
D) Encienda cada quemador principal adyacente a la estación para dorar Sear Station® (4). Empuje la perilla de control hacia adentro y gírela a ENCENDIDO/FUEGO ALTO hasta oír sonar el encendedor; mantenga el control en esa posición durante dos segundos. Esta acción hará que el encendedor chispee, encendiendo el tubo de encendido de quemador y luego el quemador principal.

E) Verifique que el quemador esté encendido viendo hacia abajo a través de las rejillas de cocción (5). Deberá ver una llama. Si el quemador no se enciende la primera vez, empuje la perilla de control hacia adentro y gírela a la posición APAGADO. Repita el procedimiento de encendido una segunda vez.

Encendido del Quemador de la Estación de Dorado Sear Station®: Encendido por un Quemador Principal Adyunto ya Encendido



La barbacoa ilustrada puede tener ligeras diferencias con respecto al modelo comprado.



F) Gire la perilla de control del quemador de la estación para dorar Sear Station® a la posición ENCENDIDO (6).

G) Confirme visualmente la presencia de llamas que indiquen que el encendido ha sido exitoso (7).

⚠ **ADVERTENCIA:** si el encendido no ocurre dentro del lapso de cinco segundos, pague el control del quemador (posición APAGADO), espere cinco minutos, y repita los pasos F y G, o consulte las instrucciones que en “ENCENDIDO MANUAL DEL QUEMADOR DE LA ESTACIÓN DE DORADO SEAR STATION®.”

⚠ **ADVERTENCIA:** Si el quemador no se enciende, gire la perilla del control del quemador a la posición APAGADO y espere cinco minutos para permitir que el gas se disipe antes de tratar de nuevo o de tratar de encenderlo con un cerillo. *Nota: Consulte la sección de Mantenimiento respecto a los procedimientos para retirar y limpiar los quemadores.* ♦

PARA APAGAR

Presione hacia abajo y gire la perilla de control del quemador en dirección de las agujas del reloj a la posición APAGADO. Cierre el suministro de gas en la fuente del mismo. ♦

ENCENDIDO Y USO DE LA ESTACIÓN DE DORADO SEAR STATION®

ENCENDIDO MANUAL DEL QUEMADOR DE LA ESTACIÓN DE DORADO SEAR STATION®

⚠ PELIGRO

El no abrir la tapa mientras se esté encendiendo el quemador de la barbacoa, o no esperar cinco minutos para que el gas se disipe si la barbacoa no se enciende, puede resultar en una llamarada explosiva, la cual puede causar lesiones corporales serias o la muerte.

El quemador de la estación para dorar Sear Station® tienen un ajuste de control de encendido y apagado. Para encender el quemador de la estación para dorar Sear Station®, debe primero encender los dos quemadores principales adyacentes.

Encendido de Acción Rápida del Quemador Principal Adyacente

Nota: La perilla de control de encendido de acción rápida de cada quemador principal genera una chispa desde el electrodo de encendido al tubo de encendido del quemador. Usted genera la energía para la chispa al empujar la perilla de control hacia adentro y girar a encendido/fuego alto. Esto encenderá cada quemador individual.

- Abra la tapa (1).
- Verifique que cada quemador principal adyacente a la estación para dorar Sear Station® esté encendido mediante la comprobación visual de que desprenden llamas (2).
- Coloque el cerillo en el portacerillos y enciéndalo.

⚠ ADVERTENCIA: No se incline sobre la barbacoa abierta.

- Inserte el portacerillos con el cerillo encendida a través y hacia abajo de las rejillas de cocción y de las barras Flavorizer® para encender el quemador de la estación para dorar Sear Station® (3).
- Empuje la perilla de control de la estación para dorar Sear Station® hacia adentro y gírela a la posición ENCENDIDA (4).

⚠ ADVERTENCIA: Si el quemador no se enciende, gire la perilla del control del quemador a la posición APAGADO y espere cinco minutos para permitir que el gas se disipe antes de tratar de nuevo.

Nota: Consulte la sección de Mantenimiento respecto a los procedimientos para retirar y limpiar los quemadores. ♦

PARA APAGAR

Presione hacia abajo y gire la perilla de control del quemador en dirección de las agujas del reloj a la posición APAGADO. Cierre el suministro de gas en la fuente del mismo. ♦

CÓMO USAR LA ESTACIÓN PARA DORAR SEAR STATION®

La barbacoa de gas Weber® incluye un quemador para dorar carnes como los bistecs, partes de aves, pescado, y chuletas.

Ésta es una técnica de asado directo que dora la superficie de los alimentos a altas temperaturas. Al dorar ambas partes de la carne creará un sabor más gustoso mediante la caramelización de la superficie de los alimentos. El dorar también mejorará la apariencia de la carne con las marcas de dorado de la parrilla de cocción. Esto, junto con el contraste de texturas y sabores, puede hacer el alimento más interesante al paladar.

El quemador de la estación para dorar Sear Station® tiene un ajuste de control de encendido y apagado que funciona en conjunto con los dos quemadores principales adyacentes. Con los quemadores adyacentes y el quemador para dorar, usted puede dorar las carnes de manera efectiva mientras usa otras zonas de cocción para asar bajo calor moderado.

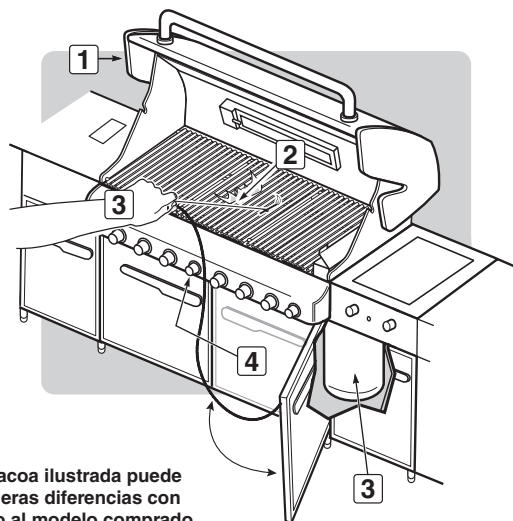
Antes de empezar a dorar, deberá colocar a fuego alto todos los quemadores principales para precalentar la barbacoa. Nota: Siempre ase con la tapa cerrada para lograr el calor máximo y evitar llamaradas.

Una vez esté precalentada la barbacoa, apague los quemadores externos o redúzcalos a fuego bajo. Deje los dos quemadores centrales en fuego alto y encienda el quemador de la estación para dorar Sear Station.

Coloque la carne directamente sobre la estación para dorar Sear Station®. Dore cada lado entre uno y cuatro minutos, según el tipo y espesor de la carne. Puede darle un cuarto de vuelta al alimento para crear las marcas de dorado (1) antes de dorar el otro lado de la misma manera.

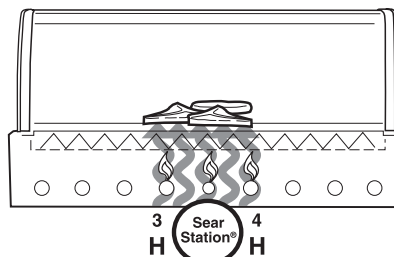
Una vez haya terminado de dorar, puede terminar de asar la carne moviéndola a calor más moderado sobre los calentadores externos para alcanzar el grado de cocción deseado.

En la medida que obtenga más experiencia en el uso de la estación para dorar Sear Station®, lo animamos a que experimente con diferentes tiempos de dorado para lograr los resultados óptimos para su gusto. ♦



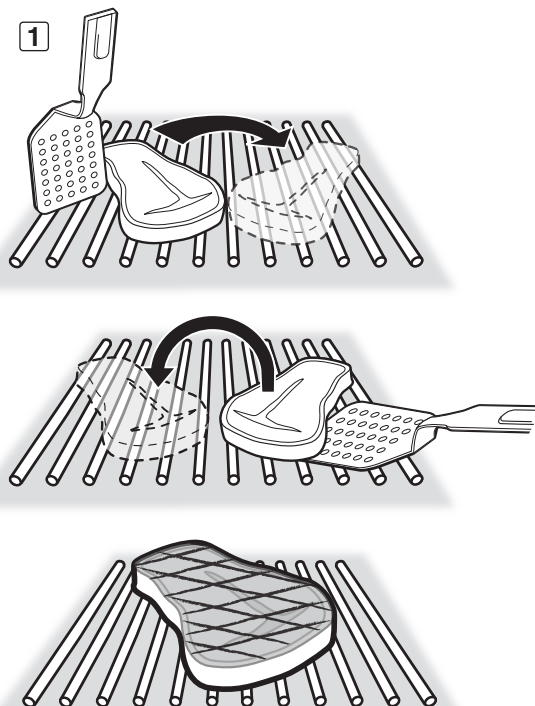
La barbacoa ilustrada puede tener ligeras diferencias con respecto al modelo comprado.

6 QUEMADORES



MÉTODO PARA DORAR

El alimento se coloca en la zona de calor intenso entre los quemadores encendidos.



ENCENDIDO Y USO DEL QUEMADOR DEL AHUMADOR

ENCENDIDO DEL QUEMADOR DEL AHUMADOR

⚠ PELIGRO

El no abrir la tapa mientras se esté encendiendo la barbacoa, o no esperar cinco minutos para permitir que el gas se disipe si la barbacoa no se enciende, puede resultar en una llamarada explosiva, la cual puede causar lesiones corporales serias o la muerte.

Encendido Rápido del Quemador del Ahumador

Nota: Cada perilla de control de encendido rápido crea una chispa que va del electrodo de encendido al tubo quemador de encendido. Al presionar la perilla de control y girarla a encendido/fuego alto, usted genera la energía para la chispa. Esto encenderá el quemador del ahumador.

⚠ **ADVERTENCIA:** Inspeccione la manguera previo a cada uso de la barbacoa y asegúrese de que no tenga muescas, grietas, abrasiones o cortes. Si se encontrase que la manguera estuviese dañada de cualquier manera, no utilice la barbacoa. Reemplácela solamente con una manguera de repuesto autorizada por Weber®. Contacte al Representante de Atención al Cliente en su área utilizando la información de contacto en nuestro sitio web. Conéctese a www.weber.com®.

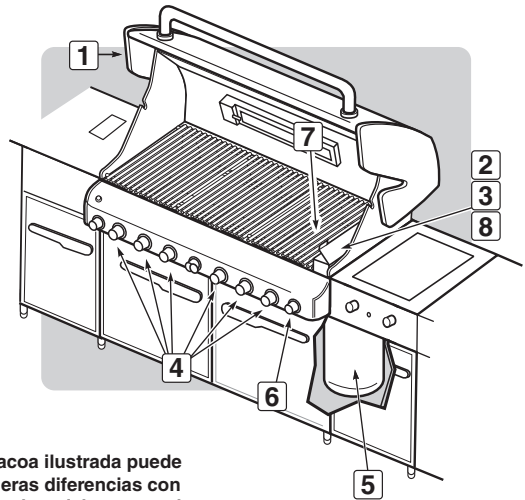
- A) Abra la tapa de la barbacoa (1).
- B) Abra la tapa de la caja del ahumador (2).
- C) Llène el ahumador con pedazos o astillas de madera empapadas con agua (3).
- D) Asegúrese de que las perillas de control de los quemadores que no se estén usando estén en la posición APAGADOS (4). (Empuje la perilla de control hacia adentro y gire en dirección de las agujas del reloj para asegurarse de que esté en la posición APAGADO.)

⚠ **ADVERTENCIA:** Las perillas de control de los quemadores deberán estar en la posición APAGADA antes de abrir la válvula del tanque de propano licuado. Si no lo estuviesen, cuando abra la válvula del tanque de propano licuado se activará el control de exceso de flujo y limitará el flujo de gas desde el tanque de propano licuado. Si esto llegase a ocurrir, cierre la válvula del tanque de propano y las perillas de control de los quemadores. Luego empiece de nuevo.

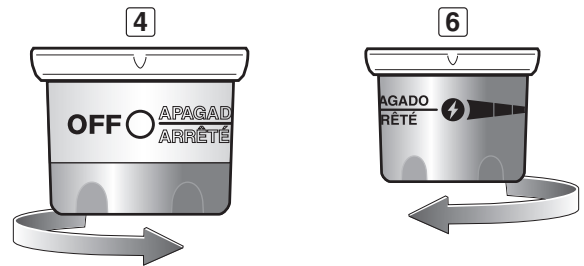
⚠ PELIGRO

Cuando se activa el control de exceso de flujo, una pequeña cantidad de gas sigue fluyendo a los quemadores. Después de cerrar la válvula del tanque y las perillas de control de los quemadores espere por lo menos cinco minutos para que el gas se disipe antes de tratar de encender la barbacoa. El no hacer esto podría resultar en una llamarada explosiva que pudiera causar lesiones corporales serias o la muerte.

- E) Abra la válvula del cilindro girando su manubrio en dirección contraria a las agujas del reloj (5).
- ⚠ **ADVERTENCIA:** Mientras lo enciende, no se incline sobre la barbacoa abierta.
- F) Presione la perilla de control y gírela a la posición ENCENDIDO/FUEGO ALTO hasta que escuche el chasquido del encendedor (6); continúe presionando la perilla de control durante dos segundos. Esta acción hará chispotear el encendedor, el tubo de encendido del quemador y luego el quemador del ahumador.
- G) Verifique que el quemador esté encendido viendo a través de las parrillas de cocción (7). Deberá ver una llama. Si el encendedor no se encendiese al primer intento, presione la perilla de control y gírela a la posición APAGADO y repita el procedimiento una segunda vez.



La barbacoa ilustrada puede tener ligeras diferencias con respecto al modelo comprado.



⚠ PELIGRO

Si el quemador del ahumador no se enciende, gire la perilla del control del quemador a la posición APAGADO y espere cinco minutos para permitir que el gas se disipe antes de tratar de nuevo o de que usted trate de encenderlo con un cerillo (vea "ENCENDIDO MANUAL DEL QUEMADOR DEL AHUMADOR").

- H) Una vez que la madera empiece a arder, cierre la cubierta del ahumador (8) y gire la perilla de control a fuego bajo. ♦

PARA APAGAR

Presione y gire la perilla de control de cada quemador en dirección de las agujas del reloj a la posición APAGADO. Cierre el suministro de gas en la fuente del mismo. ♦

ENCENDIDO Y USO DEL QUEMADOR DEL AHUMADOR

ENCENDIDO MANUAL DEL QUEMADOR DEL AHUMADOR

⚠ **ADVERTENCIA:** Inspeccione la manguera previo a cada uso de la barbacoa y asegúrese de que no tenga muescas, grietas, abrasiones o cortes. Si se encontrase que la manguera estuviese dañada de cualquier manera, no utilice la barbacoa. Reemplácela solamente con una manguera de repuesto autorizada por Weber®. Contacte al Representante de Servicios al Cliente en su área utilizando la información de contacto en nuestro sitio web. Conéctese a www.weber.com®.

A) Abra la tapa (1).

⚠ PELIGRO

El no abrir la tapa mientras se esté encendiendo la barbacoa, o no esperar cinco minutos para permitir que el gas se disipe si la barbacoa no se enciende, puede resultar en una llamarada explosiva, la cual puede causar lesiones corporales serias o la muerte.

B) Abra la tapa de la caja del ahumador (2).

C) Llene la caja del ahumador con pedazos o astillas de madera empapadas de agua (3).

D) Asegúrese de que las perillas de control de los quemadores que no se estén usando estén en la posición APAGADOS (4). (Empuje la perilla de control hacia adentro y gire en dirección de las agujas del reloj para asegurarse de que esté en la posición APAGADO.)

⚠ **ADVERTENCIA:** Las perillas de control de los quemadores deberán estar en la posición APAGADA antes de abrir la válvula del tanque de propano licuado. Si no lo estuviesen, cuando abra la válvula del tanque de propano licuado se activará el control de exceso de flujo y limitará el flujo de gas desde el tanque de propano licuado. Si esto llegase a ocurrir, cierre la válvula del tanque de propano y las perillas de control del quemador. Luego comience de nuevo.

⚠ PELIGRO

Cuando se activa el control de exceso de flujo, una pequeña cantidad de gas sigue fluyendo a los quemadores. Después de cerrar la válvula del tanque y las perillas de control de los quemadores, espere por lo menos cinco minutos para que el gas se disipe antes de tratar de encender la barbacoa. El no hacer esto podría resultar en una llamarada explosiva que pudiera causar lesiones corporales serias o la muerte.

E) Abra la válvula del cilindro girando su manubrio en dirección contraria a las agujas del reloj (5).

F) Coloque un cerillo en el portacerillos y enciéndalo.

G) Inserte el portacerillos con el cerillo encendido a través de las parrillas de cocción y de las barras Flavorizer® para encender al quemador del ahumador (6).

⚠ **ADVERTENCIA:** Mientras la enciende, no se incline sobre la barbacoa abierta.

H) Presione la perilla de control del quemador del ahumado y gírela hacia encendido/alto (7).

I) Viendo a través de la parrilla de cocción, verifique que el quemador esté encendido (8).

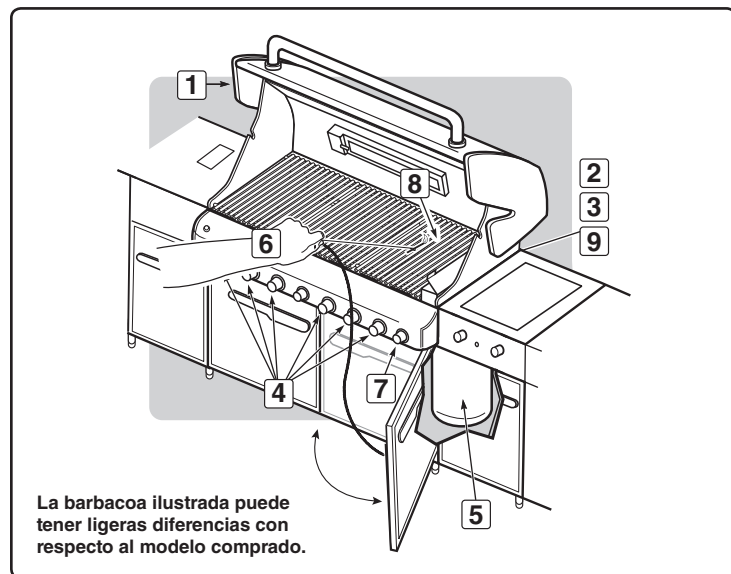
⚠ PELIGRO

Si el quemador del ahumador no se enciende, gire la perilla del control del quemador a la posición APAGADO y espere cinco minutos para permitir que el gas se disipe antes de tratar de nuevo.

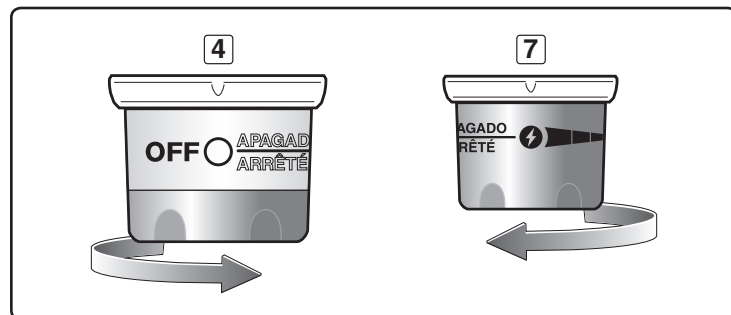
J) Una vez que la madera empiece a arder, cierre la cubierta del ahumador (9) y gire la perilla de control a fuego bajo. ♦

PARA APAGAR

Presione y gire la perilla de control de cada quemador en dirección de las agujas del reloj a la posición APAGADO. Cierre el suministro de gas en la fuente del mismo. ♦



La barbacoa ilustrada puede tener ligeras diferencias con respecto al modelo comprado.



CÓMO USAR EL AHUMADOR

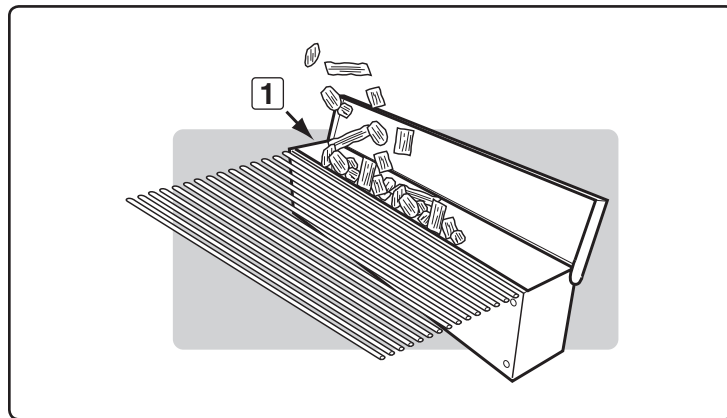
El ahumador usa astillas de madera premojadas. Para resultados óptimos con alimentos que se cocinan más rápidamente tales como bistecs, hamburguesas, chuletas, etc., recomendamos usar astillas de madera más finas dado que se encienden y crean humo de manera más rápida. Para alimentos con tiempos de cocción más largos tales como los asados, pollos, y pavos, etc., recomendamos el uso de trozos de madera más grandes dado que se encienden más lentamente y proporcionan humo durante un período de tiempo más largo. En la medida en que usted gane experiencia usando su ahumador, le animamos a experimentar con diferentes combinaciones de astillas y pedazos de madera para encontrar el sabor del ahumado que más se ajusta a su gusto.

Como punto de partida, remoje las astillas de madera en agua durante por lo menos 20 minutos antes de usarlas. (La madera húmeda producirá más sabor a ahumado.) Coloque un puñado de astillas de madera o unos cuantos trozos grandes en el fondo del cuerpo del ahumador (1). En la medida que usted gane experiencia ahumando, incremente o reduzca la cantidad de madera para ajustarla a su gusto.

Nota: Siempre ase con la tapa cerrada para permitir que el humo penetre la comida a fondo. Encienda el quemador del ahumador siguiendo las instrucciones dadas en "ENCENDIDO DEL QUEMADOR DEL AHUMADOR." Una vez que la madera empiece a arder, ajuste la perilla de control a una llama baja.

El humo comenzará a producirse en aproximadamente 10 minutos y puede llegar a durar unos 45 minutos. Si requiere un sabor más ahumado, rellene el ahumador con astillas y/o trozos de madera. Mantenga la tapa del asador cerrada mientras cocine.

Nota: después de volver a llenar el ahumador, tardará 10 a 15 minutos en comenzar a humear de nuevo. El ahumador puede usarse para realzar las recetas de carnes, aves, y pescados. Cocine con la tapa cerrada de acuerdo con los tiempos indicados en las tablas o las recetas.



⚠ PELIGRO

No use ningún líquido inflamable en el ahumador para encender la madera. Esto causará serias lesiones corporales. ♦

LIMPIEZA DEL AHUMADOR

Antes de cada uso, vacíe las cenizas del ahumador para permitir el flujo apropiado de aire.

Nota: El ahumar dejará un residuo de "humo" sobre la superficie del ahumador. Este residuo no se puede eliminar y no afectará el funcionamiento del ahumador. En menor grado, un residuo de "humo" se acumulará dentro de su asador de gas. Este residuo no necesita quitarse y no afectará adversamente al funcionamiento de la barbacoa de gas. ♦

ENCENDIDO Y USO DEL QUEMADOR DEL ASADOR GIRATORIO

ENCENDIDO DEL QUEMADOR DEL ASADOR GIRATORIO

Encendido Rápido del Quemador del Asador Giratorio

Nota: Cada perilla de control de encendido rápido crea una chispa que va del electrodo de encendido al tubo quemador de encendido. Al presionar la perilla de control y girarla a encendido/fuego alto, usted genera la energía para la chispa. Esto encenderá cada quemador individual.

⚠ ATENCIÓN: LÉALO ANTES DE ENCENDER EL QUEMADOR DEL ASADOR GIRATORIO

Tras cualquier tiempo sin uso, antes de encender el quemador del asador giratorio, deben pasar unos cuantos segundos para que se llene la línea de suministro de gas.

Al usar el encendedor rápido, verá un flogonazo de llamas moviéndose de derecha a izquierda a lo largo de la superficie del quemador del asador giratorio; éste no estará encendido hasta tanto toda la superficie cerámica esté en llamas.

En este momento, inicie un conteo de 20 segundos antes de soltar la perilla de control del quemador del asador giratorio.

La superficie del quemador del asador giratorio estará al rojo vivo una vez esté totalmente encendido.

⚠ PELIGRO

El no abrir la tapa mientras se esté encendiendo la barbacoa, o no esperar cinco minutos para permitir que el gas se disipe si la barbacoa no se enciende, puede resultar en una llamarada explosiva, la cual puede causar lesiones corporales serias o la muerte.

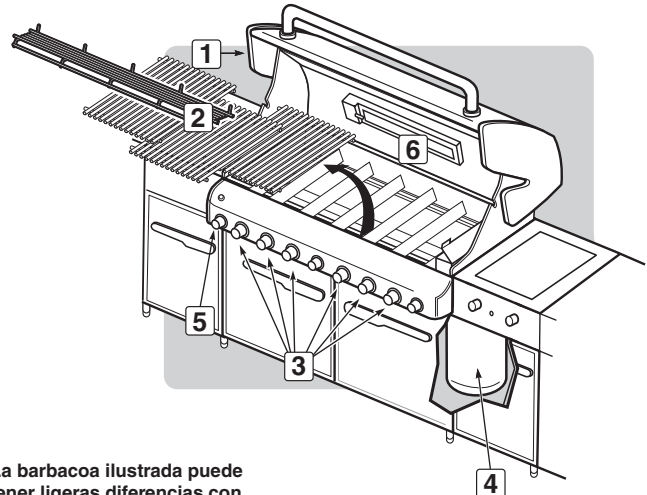
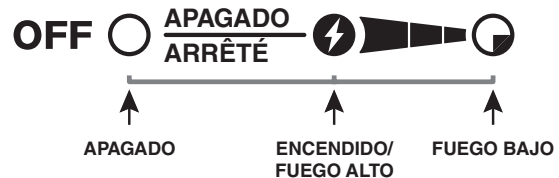
- ⚠ **PRECAUCIÓN:** La llama del quemador del asador giratorio puede ser difícil de ver en un día brillantemente soleado.
 - ⚠ **ADVERTENCIA:** Inspeccione la manguera previo a cada uso de la barbacoa y asegúrese de que no tenga muescas, grietas, abrasiones o cortes. Si se encontrase que la manguera estuviese dañada de cualquier manera, no utilice la barbacoa. Reemplácela solamente con una manguera de repuesto autorizada por Weber®. Contacte al Representante de Servicios al Cliente en su área utilizando la información de contacto en nuestro sitio web.
- Conéctese a www.weber.com®.

- A) Abra la tapa (1).
- B) Retire la gradilla de calentamiento y la parrilla de cocción de la caja de cocción (2).
- C) Asegúrese de que todas las perillas de control del quemador estén cerradas (3). (Presione la perilla de control y gire en dirección de las agujas del reloj para asegurarse de que esté en la posición APAGADA.)

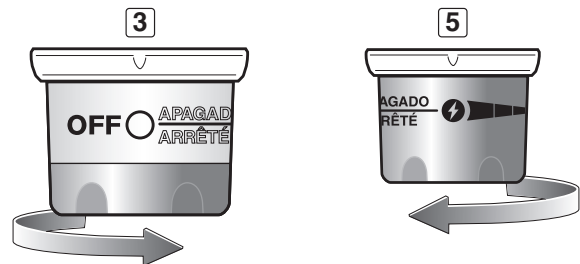
- ⚠ **ADVERTENCIA:** Las perillas de control de los quemadores deberán estar en la posición APAGADA antes de abrir la válvula del tanque de propano licuado. Si no lo estuviesen, cuando abra la válvula del tanque de propano licuado se activará el control de exceso de flujo y limitará el flujo de gas desde el tanque de propano licuado. Si esto llegase a ocurrir, cierre la válvula del tanque de propano y las perillas de control de los quemadores. Luego empiece de nuevo.

⚠ PELIGRO

Cuando se activa el control de exceso de flujo, una pequeña cantidad de gas sigue fluyendo a los quemadores. Después de cerrar la válvula del tanque y las perillas de control de los quemadores espere por lo menos cinco minutos para que el gas se disipe antes de tratar de encender la barbacoa. El no hacer esto podría resultar en una llamarada explosiva que pudiera causar lesiones corporales serias o la muerte.



La barbacoa ilustrada puede tener ligeras diferencias con respecto al modelo comprado.



- D) Abra la válvula del cilindro girando su manubrio en dirección contraria a las agujas del reloj (4).
- ⚠ **ADVERTENCIA:** No se incline sobre la barbacoa abierta.
- E) Presione la perilla de control del quemador y gírela hacia ENCENDIDO/FUEGO ALTO (5). Esta acción hará que el encendedor chispee y encienda el quemador del asador giratorio. Continúe usando el encendedor rápido hasta que el quemador del asador giratorio se haya encendido. Continúe presionando la perilla de control unos veinte segundos más después de que el quemador se haya encendido. Suelte la perilla de control.
- F) Verifique que el quemador esté encendido revisando que el quemador del asador giratorio esté al rojo vivo (6).
- ⚠ **ADVERTENCIA:** Si el quemador del asador giratorio no se enciende, gire la perilla del control del quemador a la posición APAGADO y espere cinco minutos para permitir que el gas se disipe antes de tratar de nuevo o de que usted trate de encenderlo con un cerillo.

Nota: Cuando se use el asador con la tapa cerrada, solamente encienda dos de los quemadores principales a cada lado de los alimentos (vea los "MÉTODOS DE COCCIÓN – COCCIÓN INDIRECTA"). Revise periódicamente sus alimentos para prevenir que se cocinen de más en la parte externa. Una vez que el alimento se haya dorado al color deseado, apague el quemador del asador giratorio. Termine de asar con calor indirecto. ♦

PARA APAGAR

Presione la perilla de control del quemador del asador giratorio y gírela en la dirección de las agujas del reloj a la posición APAGADA. Cierre el suministro de gas en la fuente del mismo. ♦

ENCENDIDO Y USO DEL QUEMADOR DEL ASADOR GIRATORIO

ENCENDIDO MANUAL DEL QUEMADOR DEL ASADOR GIRATORIO

⚠ ATENCIÓN: LÉALO ANTES DE ENCENDER EL QUEMADOR DEL ASADOR GIRATORIO

Tras cualquier período de haber estado sin uso, antes de encender el quemador del asador giratorio, deben pasar unos cuantos segundos para que se llene la línea de suministro de gas.

Al encender el quemador del asador giratorio con un cerillo, usted verá un fogonazo de llamas moviéndose de derecha a izquierda a lo largo de la superficie del quemador del mismo; el asador giratorio no estará encendido hasta tanto toda la superficie cerámica esté en llamas.

En este momento, inicie un conteo de 20 segundos antes de soltar la perilla de control del quemador del asador giratorio.

La superficie del quemador del asador giratorio estará al rojo vivo una vez esté totalmente encendido.

⚠ PELIGRO

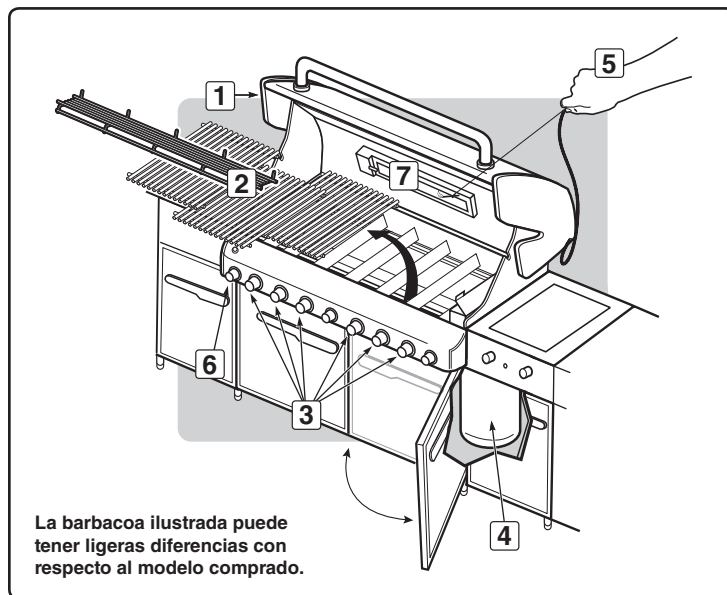
El no abrir la tapa mientras se esté encendiendo la barbacoa, o no esperar cinco minutos para permitir que el gas se disipe si ésta no se enciende, puede resultar en una llamarada explosiva, la cual puede causar lesiones corporales serias o la muerte.

- ⚠ PRECAUCIÓN: La llama del quemador del asador giratorio puede ser difícil de ver en un día brillantemente soleado.
- ⚠ ADVERTENCIA: Inspeccione la manguera previo a cada uso de la barbacoa y asegúrese de que no tenga muescas, grietas, abrasiones o cortes. Si se encontrase que la manguera estuviese dañada de cualquier manera, no utilice la barbacoa. Reemplácela solamente con una manguera de repuesto autorizada por Weber®. Contacte al Representante de Servicios al Cliente en su área utilizando la información de contacto en nuestro sitio web. Conéctese a www.weber.com®.

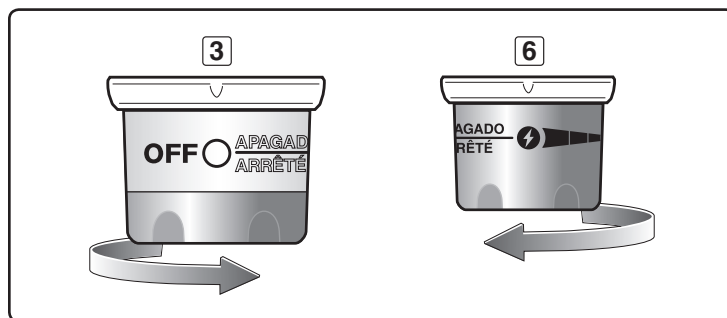
- A) Abra la tapa (1).
- B) Retire de la caja de cocción la rejilla para calentar y las parrillas de cocción (2).
- C) Asegúrese de que todas las perillas de control del quemador estén en la posición APAGADO (3). (Empuje la perilla de control hacia adentro y gire en dirección de las agujas del reloj para asegurarse de que esté en la posición APAGADA.)
- ⚠ ADVERTENCIA: Las perillas de control de los quemadores deberán estar en la posición apagada antes de abrir la válvula del tanque de propano licuado. Si no lo estuviesen, cuando abra la válvula del tanque de propano licuado se activará el control de exceso de flujo y limitará el flujo de gas desde el tanque de propano licuado. Si esto llegase a ocurrir, cierre la válvula del tanque de propano y las perillas de control de los quemadores. Luego comience de nuevo.

⚠ PELIGRO

Cuando se activa el control de exceso de flujo, una pequeña cantidad de gas sigue fluyendo a los quemadores. Después de cerrar la válvula del tanque y las perillas de control de los quemadores, espere por lo menos cinco minutos para que el gas se disipe antes de tratar de encender la barbacoa. El no hacer esto podría resultar en una llamarada explosiva que pudiera causar lesiones corporales serias o la muerte.



La barbacoa ilustrada puede tener ligeras diferencias con respecto al modelo comprado.



- D) Abra el suministro de gas del cilindro girando la válvula del cilindro en dirección contraria a las agujas del reloj (4).
- E) Coloque un cerillo en el portacerillos y enciéndalo.
- F) Agarre el portacerillos y encienda con el cerillo por el lado derecho del quemador del asador giratorio (5).
- ⚠ ADVERTENCIA: No se incline sobre la barbacoa abierta.
- G) Presione la perilla de control del quemador del asador giratorio y gírela hacia encendido/fuego alto (6). Continúe presionando la perilla de control unos veinte segundos más después de que el quemador se haya encendido.
- H) Verifique que el quemador esté encendido revisando que el quemador del asador giratorio esté al rojo vivo (7).
- ⚠ ADVERTENCIA: Si el quemador del asador giratorio no se enciende, gire la perilla del control del quemador a la posición apagada y espere cinco minutos para permitir que el gas se disipe antes de tratar de nuevo.

Nota: Cuando se use el asador giratorio con la tapa cerrada, solamente encienda dos de los quemadores principales a cada lado de los alimentos (vea "MÉTODOS DE COCCIÓN—COCCIÓN INDIRECTA"). Revise periódicamente sus alimentos para prevenir que se cocinen de más en la parte externa. Una vez que el alimento se haya dorado al color deseado, apague el quemador del asador giratorio. Termine de asarlo con calor indirecto. ♦

PARA APAGAR

Presione la perilla de control del quemador del asador giratorio y gírela en la dirección de las agujas del reloj a la posición APAGADA. Cierre el suministro de gas en la fuente del mismo. ♦

ENCENDIDO Y USO DEL QUEMADOR DEL ASADOR GIRATORIO

MEDIDAS PREVENTIVAS IMPORTANTES

Nota: Antes de usar el asador giratorio, mida el alimento a asar en su punto más ancho. Si éste excede de 9½" (241.8 mm), entonces es demasiado grande para que quepa en el asador giratorio. Si es demasiado grande, la comida puede prepararse usando un sostenedor de asado y el método de cocción indirecta.

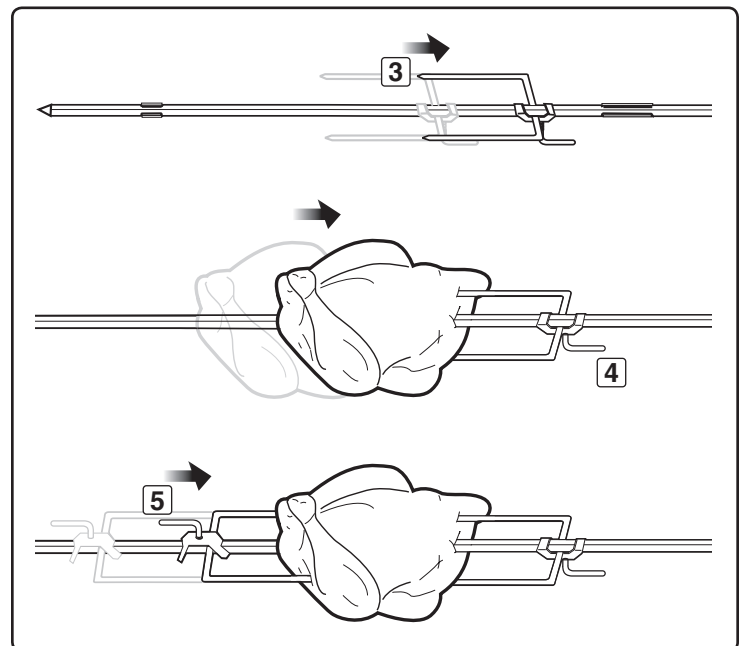
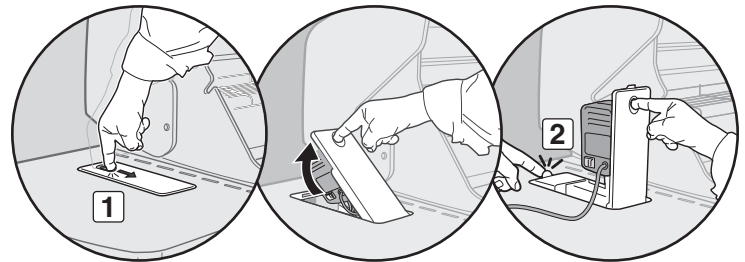
⚠️ ADVERTENCIAS

- ⚠️ Por favor lea cuidadosamente las instrucciones antes de utilizar el asador giratorio.
- ⚠️ Este asador giratorio debe usarse solamente al aire libre.
- ⚠️ Retire el motor y almacénelo en un lugar seco cuando no esté en uso.
- ⚠️ No toque las superficies calientes. Use guantes protectores para barbacoas.
- ⚠️ Este asador giratorio no debe ser usado por niños.
- ⚠️ Como protección contra riesgos eléctricos no sumerja el cable, enchufes, o motor en agua u otros líquidos.
- ⚠️ Desenchufe el motor cuando no esté en uso, o antes de limpiar.
- ⚠️ No use el asador giratorio para ningún otro uso que no sea para el cual está diseñado.
- ⚠️ Asegúrese de que el motor esté apagado antes de colocarlo sobre el soporte del mismo.
- ⚠️ No opere el motor del asador giratorio con el cable eléctrico o el enchufe dañado.
- ⚠️ No opere el motor del asador giratorio si éste está fallando.
- ⚠️ El motor del asador giratorio está equipado con un cordón eléctrico de tres clavijas (conectado a tierra) para su protección contra descargas eléctricas.
- ⚠️ El cordón eléctrico deberá enchufarse directamente a un enchufe para tres clavijas debidamente conectado a tierra. Si se requiere el uso de un cable de extensión, asegúrese de que sea por lo menos de 1,3 mm 2x3 hilos, bien aislado, y específicamente para uso en exteriores y debidamente conectado a tierra.
- ⚠️ Cuando se use una extensión eléctrica, asegúrese de que no haga contacto con ninguna superficie caliente o filosa.
- ⚠️ Los cables de extensión para exteriores deberán estar marcados con las letras "W-A" y una etiqueta que diga "Apto para usarse con artefactos para exteriores".
- ⚠️ No corte o elimine la clavija de conexión a tierra del cordón eléctrico del motor del asador giratorio.
- ⚠️ No permita que el cordón eléctrico cuelgue sobre ningún borde filoso o superficie caliente.
- ⚠️ No lo exponga a la lluvia.
- ⚠️ Para reducir el riesgo de descargas eléctricas, mantenga la extensión eléctrica seca y levantada del suelo.
- ⚠️ Se suministra un cordón de suministro eléctrico corto para minimizar el riesgo de tropezar con el mismo y caerse. Los cables de extensión pueden usarse, pero debe tomarse la debida precaución para prevenir que se tropiece con ellos.
- ⚠️ En caso de no existir códigos locales, el motor del asador giratorio deberá conectarse a tierra de acuerdo con el Código Eléctrico Nacional, ANSI/NFPA 70, o el Código Eléctrico Canadiense, CSA C22.1. ♦

OPERACIÓN DEL ASADOR GIRATORIO

⚠️ **ADVERTENCIA:** Coloque el alimento en el asador giratorio antes de encender el quemador del mismo.

- A) Para montar el motor del asador giratorio, presiona el botón en el panel retráctil del asador giratorio (1). Hale el panel del asador giratorio hacia arriba. Presione la lengüeta de cierre (2) hasta que encaje en su lugar.
- B) Retire el cordón eléctrico y enchúfelo en una fuente de suministro eléctrico.
- ⚠️ **PRECAUCIÓN:** No pase el cordón eléctrico del motor del asador giratorio a través de la abertura retráctil del asador en la mesa lateral.
- ⚠️ **PRECAUCIÓN:** Inspeccione el cordón eléctrico antes de cada uso. Si el cordón está dañado, no lo use. Contacte al Representante de Servicios al Cliente en su área utilizando la información de contacto en nuestro sitio web. Conéctese a www.weber.com.
- C) Deslice una de las horquillas del asador hacia el lado derecho del eje del asador, asegurándose de que las púas queden de cara hacia la izquierda y el tornillo de la horquilla quede boca abajo (3).
- D) Empuje el eje del asador a través del centro del alimento. Inserte los dientes de ambas horquillas en el alimento. El alimento deberá estar centrado sobre el eje. Apriete los tornillos de las horquillas del asador (4).
- E) Deslice otra horquilla del asador sobre el eje del asador, asegurándose de que las púas queden de cara hacia la derecha y el tornillo de la horquilla quede boca abajo. Inserte los dientes de ambas horquillas dentro de la comida. Apriete el tornillo de la horquilla (5).

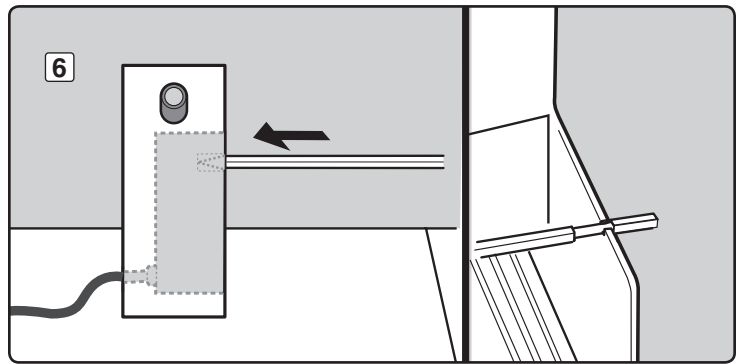


ENCENDIDO Y USO DEL QUEMADOR DEL ASADOR GIRATORIO

- F) Inserte el extremo puntiagudo del eje del asador dentro del motor. Baje el espetón del asador giratorio dentro de las ranuras en la caja de cocción (6).
- G) El eje del asador giratorio deberá girar de tal manera que el lado pesado de la carne o ave gire hacia el fondo. Los cortes grandes quizás requieran retirar las parrillas de cocción y la rejilla para calentar a fin de permitir la rotación completa del eje. Si fuese necesario para lograr un mejor balance, vuelva a colocar el alimento de nuevo.
- H) Encienda el motor. ♦

COCCIÓN CON EL ASADOR GIRATORIO

- Las carnes (excepto las aves y la carne molida) deberán dejarse llegar a la temperatura ambiente antes de cocinarlas. (20 a 30 minutos deberá ser suficiente para la mayoría de los alimentos. Si están congelados, descongéuelos completamente antes de cocinarlos.)
- Si fuese necesario, ate la carne o las aves con un cordel para darles la forma más uniforme posible antes de colocarlas en el asador.
- Retire las parrillas de cocción y la rejilla para calentar a fin de permitir que la comida gire libremente.
- Siga las instrucciones de encendido para el quemador del asador giratorio.
- Ajuste el quemador del asador a fuego medio a alto en función de la temperatura al aire libre.
- Coloque el alimento dentro del área del quemador.
- Si desea guardar la grasa que se escurre como salsa para la carne, coloque una bandeja de goteo encima de las barras Flavorizer® y directamente debajo del alimento.
- Los pasos de preparación de la comida para asarla son los mismos que para la cocción normal.



- Toda la cocción deberá llevarse a cabo con la tapa cerrada.
- Si los alimentos son demasiado pesados o de formas irregulares, podrá ocurrir que no giren bien y deberán cocinarse mediante el método indirecto sin usar el asador giratorio.
- Se puede usar el ahumador en conjunción con el asador para dar un sabor más ahumado.

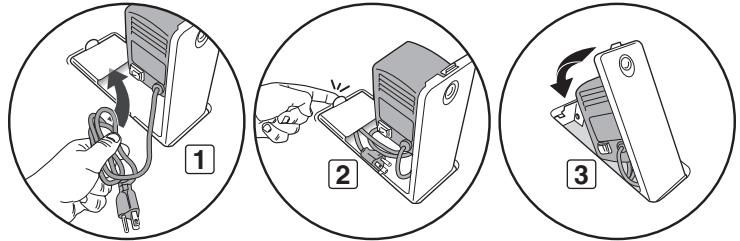
Nota: Cuando se usa el quemador del asador giratorio, el termómetro de la barbacoa no reflejará la temperatura dentro de la caja de cocción. ♦

ALMACENAJE DEL MOTOR DEL ASADOR GIRATORIO

- A) Antes de retraer el asador giratorio de vuelta a la mesa lateral, desenchufe el cordón eléctrico y con cuidado coloque el enchufe/cordón electrónico en el área de almacenamiento del ensamble retráctil del asador giratorio (1).

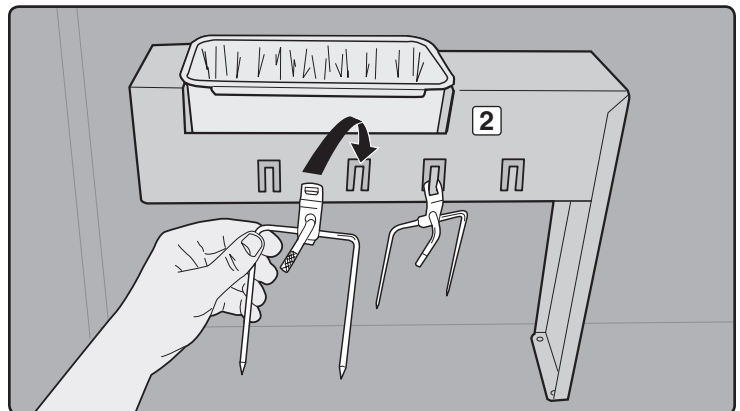
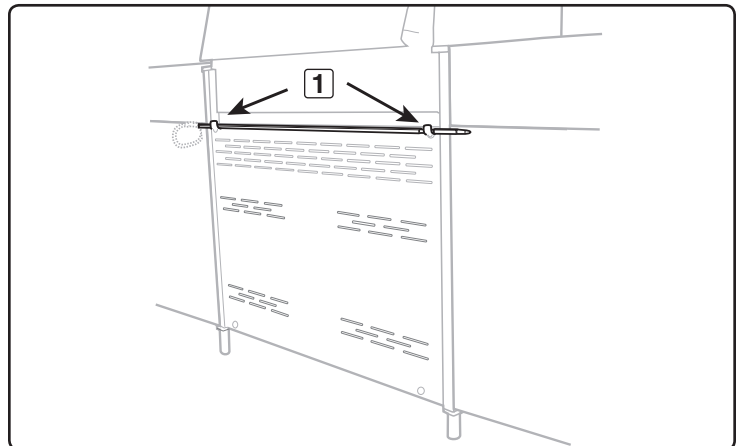
⚠ PRECAUCIÓN: El no almacenar correctamente el cordón eléctrico del asador giratorio podría resultar en daños al mismo al abrir y cerrar el panel retráctil del asador giratorio.

- B) Utilizando su dedo índice, desacople el panel retráctil del asador giratorio (2). Presione el panel hacia abajo hasta que encaje de manera bien en su lugar (3). ♦



ALMACENAJE DEL ESPETÓN DEL ASADOR GIRATORIO

- A) Retire las horquillas del espetón del asador giratorio. Vuelva a colocar la manivela del eje del asador giratorio. Utilice el soporte de almacenaje del espetón del asador giratorio en el panel posterior para almacenar el mismo (1).
- B) Guarde las horquillas del asador giratorio colocándolas en los ganchos ubicados en el sujetador del plato recolector dentro del gabinete de la barbacoa (2). ♦



RESOLUCIÓN DE PROBLEMAS

PROBLEMA	REVISAR	SOLUCIÓN
La llama en los quemadores es de color amarillo o anaranjado, conjuntamente con olor a gas (esto es normal para el tubo encendedor del quemador).	Revise que no haya obstrucciones en las malla contra arañas e insectos. (Taponamiento de orificios.)	Limpie las mallas contra arañas e insectos. (Vea la sección: "MANTENIMIENTO ANUAL.")
Síntomas: Los quemadores no se encienden. O Los quemadores presentan una llama pequeña y parpadeante en la posición fuego alto. O La temperatura de la barbacoa no pasa más allá de 250° a 300° en la posición ENCENDIDO/FUEGO ALTO.	Puede haberse activado el dispositivo de seguridad de caudal excesivo, el cual es parte de la conexión de la barbacoa al cilindro.	Para restablecer el dispositivo de seguridad de caudal excesivo gire todos las perillas de control del quemador a la posición APAGADAS y cierra la válvula del cilindro. Desconecte el regulador del cilindro. Gire las perillas de control de los quemadores a la posición ENCENDIDO/FUEGO ALTO. Espere por lo menos un minuto. Gire las perillas de control a la posición APAGADO. Vuelva a conectar el regulador del cilindro. Abra la válvula del cilindro lentamente. Consulte "ENCENDIDO DEL QUEMADOR PRINCIPAL."
El quemador no enciende. O La llama se mantiene baja en la posición fuego alto.	¿Está el tanque de propano licuado vacío o bajo de combustible?	Llene el tanque de propano licuado.
	¿Está doblada la manguera de combustible?	Enderece la manguera de combustible.
	¿Se enciende el quemador con un cerillo?	Limpie los quemadores. (Vea la sección de "MANTENIMIENTO.")
	¿Utilizó el encendedor rápido varias veces hasta que el quemador principal se encendiese? (Consulte "ENCENDIDO EL QUEMADOR PRINCIPAL.")	Asegúrese de mantener presionada la perilla de control durante dos segundos después de accionar el encendedor y ver la llama anaranjada proveniente del tubo encendedor de los quemadores.
	¿Funciona el encendedor? ¿Ve una chispa cuando usa repetidas veces el encendedor rápido?	Trate de encender manualmente el quemador (consulte "ENCENDIDO EL QUEMADOR PRINCIPAL"). Póngase en contacto con Atención al Cliente.
Se producen llamaradas: ⚠ PRECAUCIÓN: No forre la bandeja corrediza recolectora de grasa con hoja de aluminio.	¿Está precalentando la barbacoa de la manera prescrita?	Coloque a todos los quemadores en fuego alto durante 10 a 15 minutos para precalentar la barbacoa.
	¿Están las parrillas de cocción y las barras Flavorizer® recubiertas con una capa gruesa de grasa quemada?	Límpielas a fondo. (Vea la sección "LIMPIEZA.")
	¿Está la bandeja corrediza recolectora de grasa "sucía" y no deja que la grasa fluya al plato recolector?	Limpie la bandeja corrediza recolectora de grasa.
El quemador produce llamas con un patrón errático. La llama se mantiene baja cuando el quemador está en fuego alto. Las llamas no corren a lo largo de todo el tubo del quemador.	¿Están limpios los quemadores?	Limpie los quemadores. (Vea la sección de "MANTENIMIENTO.")
La parte interna de la tapa pareciera estar "pelándose". (Se parece al desprendimiento de pintura.)	La tapa está porcelanizada o es de acero inoxidable y no está pintada. No puede "pelarse." Lo que está viendo es grasa asada que se ha convertido en carbón y se está descascarando. ESTO NO ES UN DEFECTO.	Límpielas a fondo. (Vea la sección "LIMPIEZA.")
Las puertas del gabinete no están alineadas.	Revise el perno de ajuste en la parte inferior de cada puerta.	Afloje la(s) tuerca(s) de ajuste. Deslice la(s) puerta(s) hasta quedar alineada(s.) Apriete la(s) tuerca(s).
La barbacoa parece perder calor al cocinar a temperaturas de 50°F (10°C) o menos.	¿Hay escarcha o hielo en la parte externa de la bombona de propano licuado?	El propano licuado en el cilindro se convierte en vapor demasiado lentamente para suministrarle gas a los quemadores. Esto es debido a que la temperatura del aire enfría la bombona de propano licuado, lo cual hace más lento el proceso de vaporización. Apague las perillas de control de los quemadores; reemplace la bombona por otra bombona de propano licuado de repuesto y continúe cocinando.
Si los problemas no pueden corregirse usando cualquiera de estos métodos, por favor contacte al Representante de Atención al Cliente en su área usando la información de contacto en nuestro sitio web. Conéctese a www.weber.com ®.		

RESOLUCIÓN DE PROBLEMAS CON EL QUEMADOR LATERAL

PROBLEMA	REVISAR	SOLUCIÓN
El quemador lateral no se enciende.	¿Está cerrado el suministro de gas? Puede haberse activado el dispositivo de seguridad de caudal excesivo, el cual es parte de la conexión de la barbacoa al cilindro.	Abra el suministro de gas. Para restablecer el dispositivo de seguridad que previene el exceso de flujo, cierre la válvula del tanque de propano licuado y cierre todas las perillas de control de los quemadores (posición OFF). Abra las tapas de la barbacoa y del quemador lateral. Lentamente abra la válvula del tanque de propano líquido hasta quedar abierta por completo. Espere varios segundos y luego encienda el quemador lateral. Consulte "ENCENDIDO DEL QUEMADOR LATERAL."
La llama se mantiene baja en la posición FUEGO ALTO.	¿Está doblada la manguera de combustible?	Enderece la manguera.
El botón de encendido no funciona.	¿Se enciende el quemador con un cerillo?	Si un cerillo enciende el quemador, revise el encendedor. Consulte la sección "MANTENIMIENTO DEL QUEMADOR LATERAL"
Si los problemas no pueden corregirse usando cualquiera de estos métodos, por favor contacte al Representante de Atención al Cliente en su área usando la información de contacto en nuestro sitio web. Conéctese a www.weber.com .		

RESOLUCIÓN DE PROBLEMAS DE LA ESTACIÓN DE DORADO SEAR STATION®

PROBLEMA	REVISAR	SOLUCIÓN
Los quemadores están quemando con una llama amarilla o anaranjada, conjuntamente con un olor a gas (esto es normal para el tubo de encendido del quemador). El quemador de la estación de dorado Sear Station® no se enciende.	Revise que no haya obstrucciones en la malla contra arañas e insectos. (Taponamiento de orificios.)	Limpie las mallas contra arañas e insectos. (Vea la sección: "MANTENIMIENTO ANUAL.")
	¿Encendió usted los dos quemadores principales adyacentes? (Consulte "ENCENDIDO Y USO DE LA ESTACIÓN DE DORADO SEAR STATION®.")	Confirme visualmente la presencia de llamas que indiquen que los quemadores principales adyacentes se han encendido. ⚠ ADVERTENCIA: Si no se encendiese en cinco segundos, apague el control del quemador (posición OFF), y espere cinco minutos para que el gas se despeje antes de intentarlo de nuevo.
	¿Se enciende el quemador con un cerillo?	Si puede encender el quemador con un cerillo, entonces revise el Canal Crossover® en el quemador para dorar. Consulte la sección de "MANTENIMIENTO" sobre cómo retirar el quemador y cual es el procedimiento de limpieza.
¿Funciona el encendedor? (¿Observa una chispa cuando acciona repetidamente al encendedor?)		Trate de encender manualmente el quemador (consulte "ENCENDIDO DE LA ESTACIÓN DE DORADO SEAR STATION®"): Llame a Atención al Cliente.
Síntomas generales: El quemador no se enciende. O El quemador presenta un llama pequeña y parpadeante.	Puede haberse activado el dispositivo de seguridad contra el caudal excesivo, el cual es parte de la conexión del asador al cilindro.	Para restablecer el dispositivo de seguridad contra el caudal excesivo gire todos las perillas de control del quemador a la posición APAGADAS y cierre la válvula del cilindro. Desconecte el regulador del cilindro. Gire la perilla de control a la posición ENCENDIDO/FUEGO ALTO. Espere por lo menos un minuto. Gire las perillas de control a la posición APAGADAS. Vuelva a conectar el regulador del cilindro. Abra la válvula del cilindro lentamente. Consulte "MAIN BURNER IGNITION ENCENDIDO DEL QUEMADOR PRINCIPAL."
Si los problemas no pueden corregirse usando cualquiera de estos métodos, por favor contacte al Representante de Atención al Cliente en su área usando la información de contacto en nuestro sitio web. Conéctese a www.weber.com .		

RESOLUCIÓN DE PROBLEMAS DEL ASADOR GIRATORIO

PROBLEMA	REVISAR	SOLUCIÓN
El quemador del asador giratorio no se enciende.	¿Mantuvo usted presionada la perilla de control del quemador hasta encenderse y luego durante 20 segundos después de haberse encendido?	Trate de volver a encender el quemador manteniendo presionada la perilla de control del quemador hasta encenderse y manteniéndola presionada hasta 20 segundos después de haberse encendido.
	¿Esperó usted hasta ver que toda la superficie de cerámica se encendiera antes de empezar a contar los 20 segundos?	Cuando vuelva a encender el quemador manteniendo presionada la perilla de control del mismo, espere a que vea la superficie de cerámica entera encendida antes de empezar a contar los 20 segundos.
	¿Usó repetidamente el encendedor rápido hasta que el encendedor se prendiese?	Después de esperar cinco minutos para que se disipe el gas, trate de usar repetidamente el encendedor rápido hasta que el quemador de encienda. Consulte el "ENCENDIDO Y USO DEL QUEMADOR DEL ASADOR GIRATORIO."
	¿Funciona el encendedor? (¿Ve una chispa cuando usa repetidas veces el encendedor rápido?)	Intente encender el quemador manualmente (consulte "ENCENDIDO MANUAL DEL QUEMADOR DEL ASADOR GIRATORIO"). Llame a Atención al Cliente.
Síntomas generales: El quemador no se enciende. O El quemador presenta una llama pequeña y parpadeante.	Puede haberse activado el dispositivo de seguridad de caudal excesivo, el cual es parte de la conexión de la barbacoa al cilindro.	Para restablecer el dispositivo de seguridad de caudal excesivo gire todas las perillas de control de los quemadores a la posición APAGADAS y cierra la válvula del cilindro. Desconecte el regulador del cilindro. Gire la perilla de control a la posición ENCENDIDO/FUEGO ALTO. Espere por lo menos un minuto. Gire las perillas de control de los quemadores a la posición APAGADAS. Vuelva a conectar el regulador del cilindro. Lentamente abra la válvula del cilindro. Consulte "ENCENDIDO DEL QUEMADOR PRINCIPAL."
Si los problemas no pueden corregirse usando cualquiera de estos métodos, por favor contacte al Representante de Atención al Cliente en su área usando la información de contacto en nuestro sitio web. Conéctese a www.weber.com®.		

RESOLUCIÓN DE PROBLEMAS DE LA LUZ DEL ASA GRILL OUT™

PROBLEMA	REVISAR	SOLUCIÓN
La Lámpara de Asa Weber Grill Out™ no se enciende.	¿Están gastadas las baterías?	Reemplace las baterías.
	¿Están correctamente instaladas las baterías?	Vea la ilustración de ensamblaje.
	¿Está la tapa abierta hasta arriba con el botón de encendido energizado?	La lámpara se activará cuando la tapa esté abierta.
	¿Está activada la Lámpara de Asa Weber Grill Out™?	Pulse el botón de encendido.
	¿Está la Lámpara de Asa Weber Grill Out™ colocada correctamente sobre el asa?	Ajuste su posición (vea la ilustración de ensamblaje).
Si los problemas no pueden corregirse usando cualquiera de estos métodos, por favor contacte al Representante de Atención al Cliente en su área usando la información de contacto en nuestro sitio web. Conéctese a www.weber.com®.		

LIMPIEZA

⚠ **ADVERTENCIA:** Apague la barbacoa de gas Weber® y espere a que se enfríe antes de limpiarla.

⚠ **PRECAUCIÓN:** No limpie las barras Flavorizer® o las parrillas cocción en un horno autolimpiante.

Superficies externas — Utilice una solución de agua jabonosa tibia para limpiarlas y luego enjuáguelas con agua.

⚠ **PRECAUCIÓN:** Sobre la superficie de la barbacoa o del carro no utilice limpiadores de horno, limpiadores abrasivos (limpiadores de cocinas), limpiadores que contengan productos cítricos, o almohadillas de limpieza abrasivas.

Bandeja corrediza recolectora de grasa — Retire el exceso de grasa, luego lávela con agua jabonosa tibia y finalmente enjuáguela.

⚠ **PRECAUCIÓN:** No forre la bandeja corrediza recolectora de grasa con papel aluminio.

Barras Flavorizer® y rejillas de cocción — Límpielas con un cepillo de cerdas de acero inoxidable adecuado. Según se requiera, retírela de la barbacoa y lávela con agua jabonosa tibia y luego enjuáguela con agua.

Para averiguar donde comprar las parrillas de cocción y las barras Flavorizer® de reemplazo, contacte al Representante de Atención al Cliente en su área usando la información de contacto en nuestro sitio web. Conéctese a www.weber.com.

Plato recolector — Hay disponibles bandejas desechables de lámina de metal, o usted mismo puede forrar el plato recolector con papel aluminio. Para limpiar el plato recolector, lávelo con agua jabonosa tibia y luego enjuague.

Termómetro — Pásele un trapo con agua tibia jabonosa, y límpielo con una pelota plástica de fregar.

Caja de cocción — Quite cualquier resto de los tubos del quemador. NO AGRANDE LAS ABERTURAS DE LOS QUEMADORES. Lave la parte interior de la caja de cocción con agua jabonosa y luego enjuáguela con agua.

Tapa interna — Mientras la tapa esté tibia, limpie la parte interna con una toalla de papel para prevenir la acumulación de grasa. La grasa acumulada escamada se asemeja a las escamas de pintura.

Superficies de acero inoxidable — Lávelas con un paño suave y una solución de agua y jabón. Tenga cuidado de fregarlas en la dirección del grano del acero inoxidable.

No utilice limpiadores que contengan ácido, destilado de petróleo, o xileno. Enjuáguelas bien después de lavarlas.

Preserve su acero inoxidable — La barbacoa o su gabinete, tapa, panel de control y estantes pudieran estar hechos de acero inoxidable. Es sencillo mantener vistoso al acero inoxidable. Límpielo con agua y jabón, enjuáguelo con agua limpia, y séquelo con un trapo. Para partículas difíciles de sacar, se puede usar un cepillo no metálico.

⚠ **IMPORTANTE:** No utilice cepillos de alambre o limpiadores abrasivos sobre las superficies de acero inoxidable ya que las rayarán.

⚠ **IMPORTANTE:** Al limpiar las superficies asegúrese de frotar/restregar en la dirección del grano para preservar la vistosidad del acero inoxidable. ♦

MALLAS WEBER® CONTRA ARAÑAS E INSECTOS

La barbacoa de gas Weber®, al igual que cualquier otro aparato de gas al aire libre, es un blanco para las arañas y demás insectos. Pueden crear sus nidos en la sección del venturi (1) del tubo quemador. Esto bloquea el flujo normal de gas, y puede causar que el gas fluya hacia atrás por la válvula de aire de combustión. Esto puede resultar en un fuego en y alrededor de las aberturas para el aire de combustión, causando un daño serio a la barbacoa.

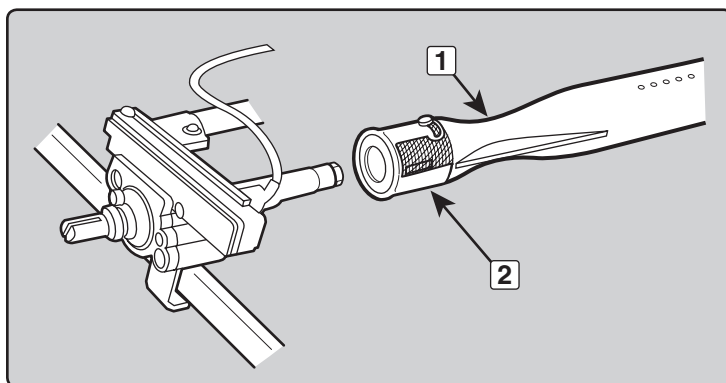
La compuerta de cierre del aire del tubo quemador está equipada con una malla (2) de acero inoxidable para prevenir la entrada de arañas e insectos a los tubos quemadores a través de las aberturas para el aire de combustión.

Le recomendamos que inspeccione las mallas contra arañas e insectos por lo menos una vez al año (vea "MANTENIMIENTO ANUAL"). También, inspeccione y limpie dichas mallas si cualquiera de los siguientes síntomas se presentase:

- A) Huele a gas conjuntamente con llamas del quemador con una apariencia amarilla y floja.
- B) La barbacoa no alcanza la temperatura de funcionamiento.
- C) La barbacoa se calienta de manera dispareja.
- D) Uno o más quemadores no se encienden.

⚠ PELIGRO

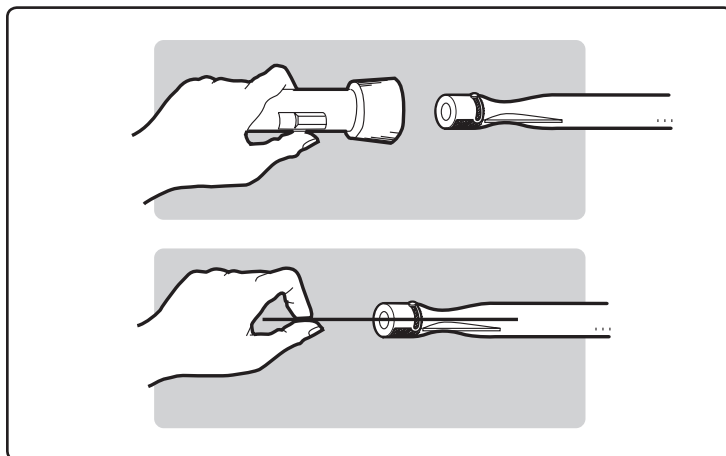
El no corregir estos síntomas pudiera resultar en un fuego que puede causar lesiones corporales serias o la muerte y daños a la propiedad. ♦



LIMPIEZA DE TUBO DE QUEMADOR

- A) Cierre el suministro de gas.
- B) Retire el múltiple (vea "REEMPLACE LOS QUEMADORES PRINCIPALES").
- C) Revise la parte interna de cada quemador con una linterna.
- D) Limpie la parte interna de los quemadores con un alambre (un colgador de ropa enderezado funcionará bien). Revise y limpie la abertura de las compuertas de cierre del aire en los extremos de los quemadores. Revise y limpie los orificios de las válvulas en la base de las válvulas. Utilice un cepillo de cerdas de acero para limpiar la parte externa de los quemadores. Esto se hace para asegurarse de que las aberturas de los quemadores estén completamente abiertas.

⚠ **PRECAUCIÓN:** Al limpiar, no agrande las aberturas del quemador. ♦



REEMPLAZO DE LOS QUEMADORES PRINCIPALES

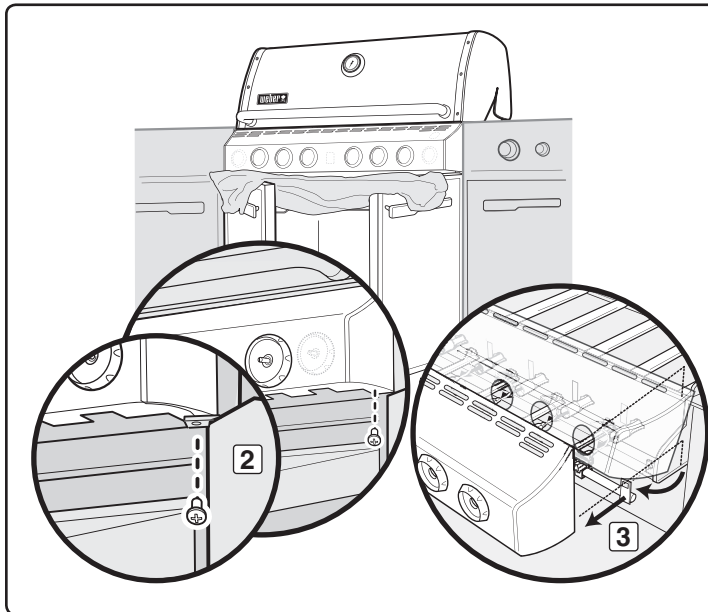
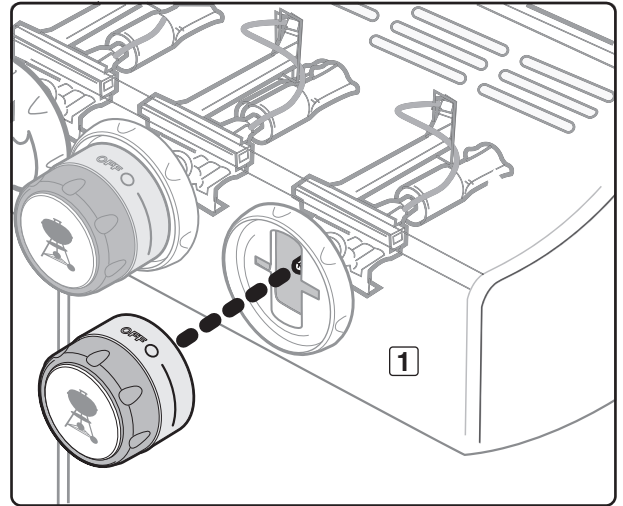
Nota: Su Barbacoa de Gas Summit® debe estar apagada y fría.

- A) Cierre el gas en la fuente.
- B) Desconecte el suministro de gas.
- C) Retire las parrillas de cocción.
- D) Retire las barras Flavorizer®.
- E) Retire la caja de ahumado (si está incluida en su modelo).

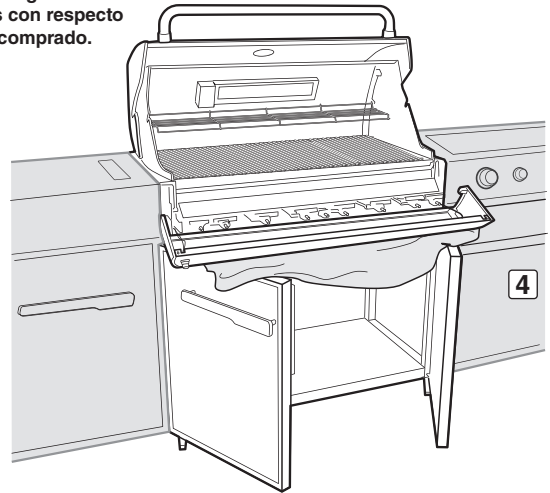
Retire el Panel de Control

Piezas requeridas: Destornillador Phillips y una toalla.

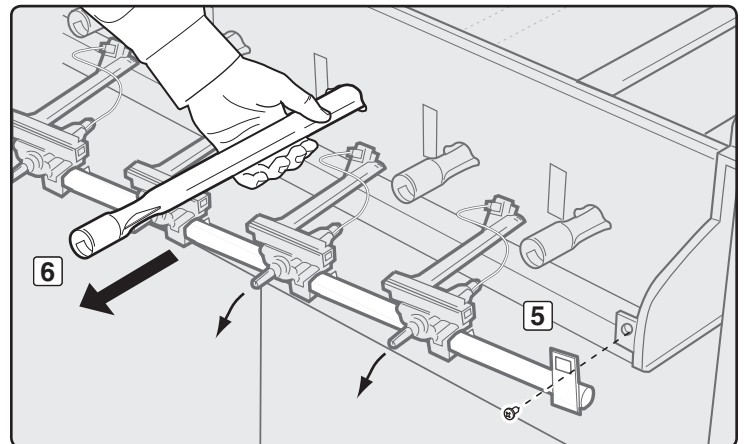
- A) Retire las perillas de control del quemador (1).
- B) Abra ambas puertas y coloque una toalla sobre la parte superior de las mismas. **Esto evitará que el panel de control y las partes superiores de la puertas se rayen en el próximo paso.**
- C) Con un destornillador Phillips, retire los tornillos en la parte inferior del panel de control (2).
- D) Inclíne el panel de control hacia delante y levántelo halándolo en dirección contraria a la barbacoa (3). (Para los modelos Summit® con funciones LED: tenga cuidado de no romper o desconectar los cables de los LED del panel de control.)
- E) Coloque el panel de control sobre la toalla que cubre los ensamblajes de las puertas (4).



La barbacoa ilustrada puede tener ligeras diferencias con respecto al modelo comprado.



- F) Retire los dos tornillos que fijan el múltiple a la caja de cocción. Hale el ensamblaje del múltiple fuera del bastidor del mismo (5).
- G) Hale del bastidor del múltiple los tubos quemadores seleccionados y reemplácelos con los tubos quemadores nuevos (6).



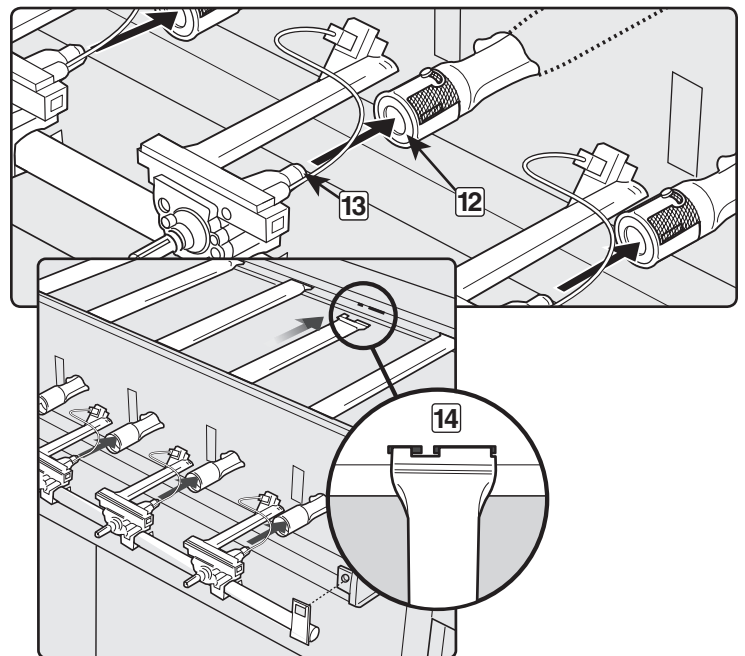
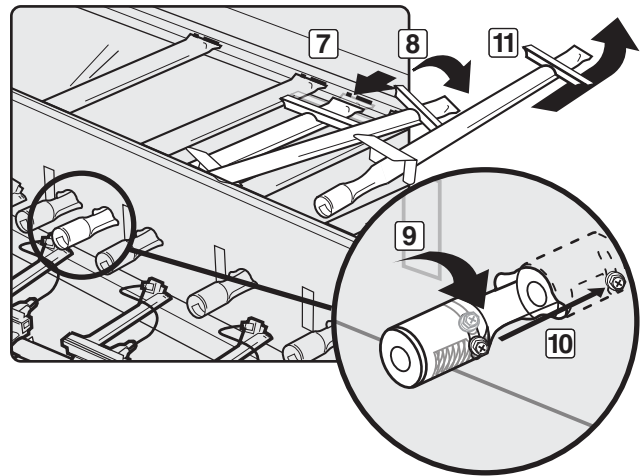
Cómo Sacar el Quemador de la Estación para Dorar Sear Station®

Para sacar el quemador de la estación para dorar Sear Station®, hale el tubo quemador hacia usted. Eso lo saca de la muesca del tubo quemador (7). Luego gire el tubo en dirección de las agujas del reloj (8), cercionándose de girarlo de tal manera que el tornillo en el extremo del tubo (9) pase a través de la muesca en la abertura de la pantalla térmica (10). Cuando el tubo del quemador quede liberado, sáquelo de la caja de cocción (11).

A) Para reinstalar el ensamble del múltiple, invierta los pasos previamente descritos en "Retire el Panel de Control."

⚠ **PRECAUCIÓN:** Los agujeros del quemador (12) deben colocarse correctamente sobre los orificios de las válvulas (13). Asegúrese de que los extremos opuestos de los tubos quemadores (14) estén debidamente alineados en las ranuras del lado posterior de la caja de cocción. Antes de atornillar el múltiple en su sitio, verifique que esté correctamente ensamblado.

⚠ **ADVERTENCIA:** Tras reinstalar las líneas de gas y antes de usar la barbacoa, dichas líneas deberán inspeccionarse con una solución de agua y jabón para verificar de que no existan fugas de gas. (Vea "COMPRUEBE QUE NO HAYA FUGAS DE GAS.") ♦



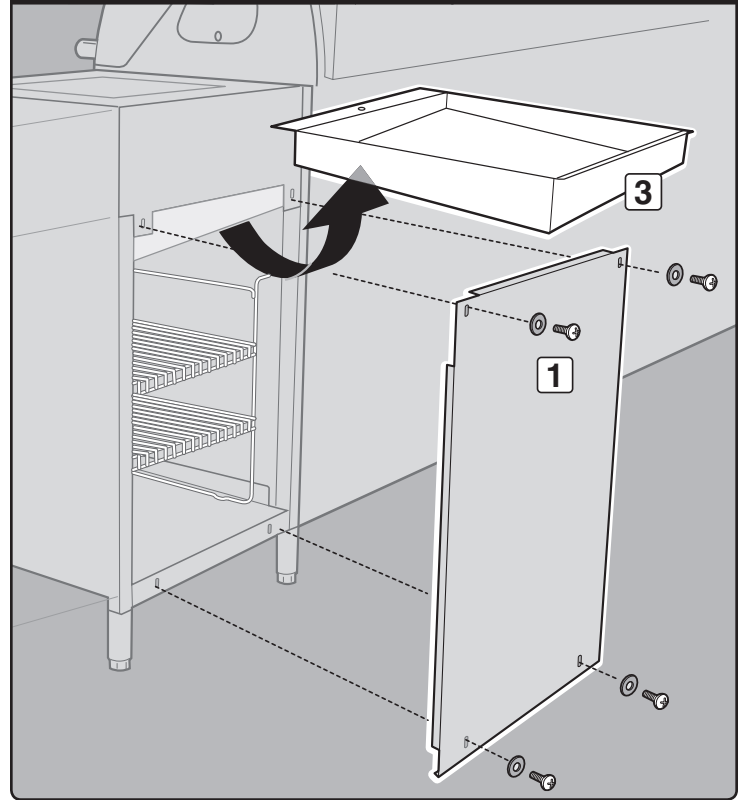
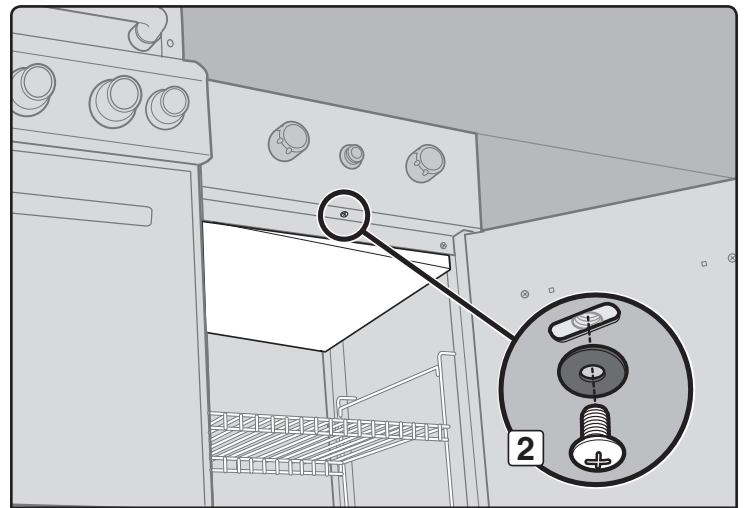
MANTENIMIENTO DEL QUEMADOR LATERAL

⚠ ADVERTENCIA: Todos los controles de gas y las válvulas de suministro deberán estar cerrados en la posición OFF.

Revise los cables del encendedor en la parte inferior del quemador lateral

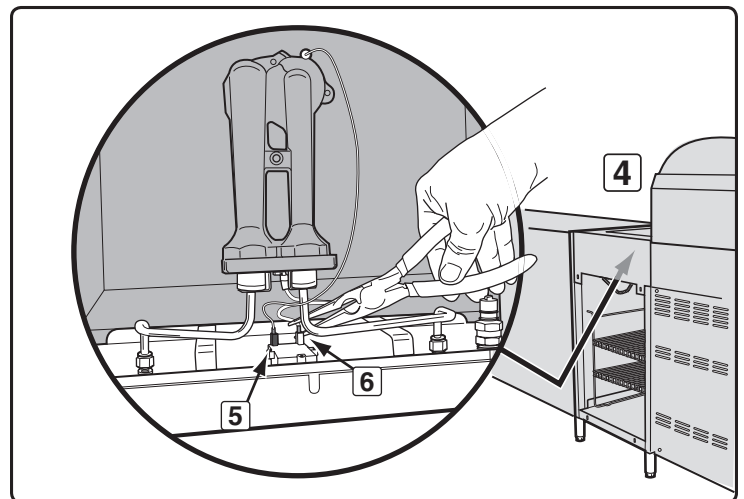
Herramientas requeridas: Destornillador Phillips.

- A) Para retirar el panel posterior del gabinete del quemador lateral y el deflector de agua del gabinete del quemador lateral:
- Con un destornillador Phillips y viendo hacia la parte posterior de la unidad, retire los tornillos que fijan el panel posterior al gabinete del quemador lateral (1).
 - Retire el panel posterior y colóquelo a un lado.
 - Viendo hacia la parte delantera de la unidad, abra la puerta del gabinete del quemador lateral y retire el tornillo que fija el deflector de agua al gabinete del quemador lateral (2).
 - Viendo hacia la parte posterior de la unidad, empuje el deflector de agua hacia adelante para permitir que el borde posterior pueda dejarse caer. Gire el deflector de agua hacia abajo a un ángulo y retírelo del gabinete del quemador lateral (3).



- B) Ubique los cables del encendedor en la parte inferior del quemador lateral (4).
- C) Asegúrese de que el cable negro (5) esté conectado a la grapa del terminal negro en el módulo de encendido.
- D) Asegúrese de que el cable blanco (6) esté conectado a la grapa del terminal blanco en el módulo de encendido.

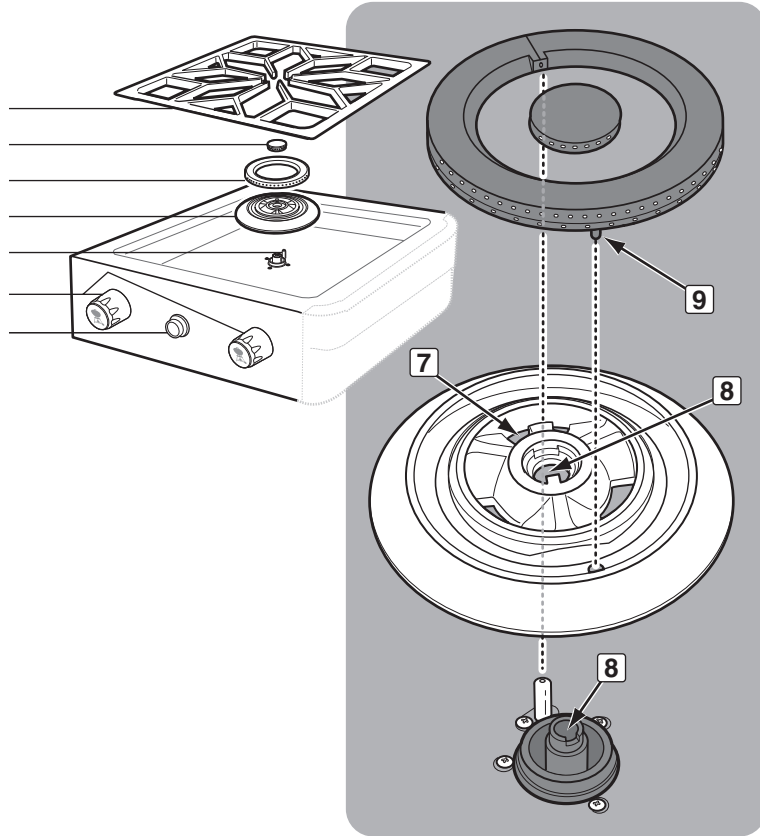
Nota: La chispa deberá ser de color blanco/azul, no amarilla.



Revise el ajuste y la alineación de los componentes del quemador lateral

- A) Asegúrese de que el cabezal del quemador lateral esté correctamente alineado sobre el electrodo de encendedor y el quemador. El electrodo debe encajar a través de la apertura del electrodo (7) y quedar enclavado en la lengüeta sobre el quemador (8).
- B) Asegúrese de que el aro externo 2 esté correctamente posicionado sobre el cabezal del quemador lateral; gire el aro hasta que el perno de coincidencia quede enclavado en el orificio del cabezal del quemador (9). ♦

Parrilla del quemador lateral
 Aro interno 1 del quemador lateral
 Aro interno 2 del quemador lateral
 Cabezal del quemador lateral
 Electrodo de encendido
 Perilla de control
 Encendedor



MANTENIMIENTO ANUAL

Inspección y Limpieza de la Malla contra Arañas y Demás Insectos

Para inspeccionar la malla contra arañas y demás insectos, retire el panel de control. Si hubiese polvo o sucio sobre las mallas, retire los quemadores para limpiar las mallas.

Con un cepillo de cerdas suaves (p.ej.: un cepillo de dientes viejo), cepille suavemente las malla contra arañas y demás insectos.

⚠ PRECAUCIÓN: No limpie las mallas contra arañas y demás insectos con herramientas duras o afiladas. No las desmonte ni agrande los orificios de las mismas.

Golpee ligeramente el quemador para sacar la basura y suciedad fuera del tubo quemador. Una vez limpios, vuelva a colocar las mallas y quemadores en su sitio.

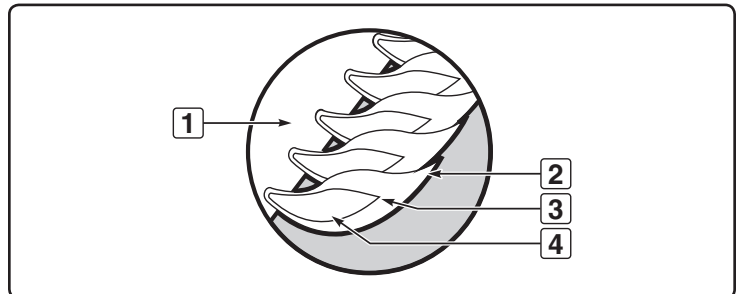
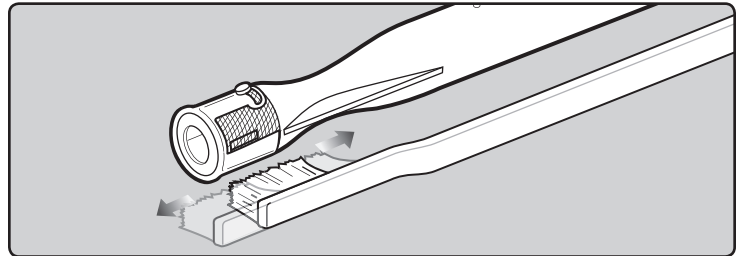
Si la malla contra arañas y demás insectos se dañase o no pudiese limpiarse, por favor póngase en contacto con el Representante de Servicios al Cliente de su zona, cuya datos de contacto encontrará en nuestro sitio en la Internet. Conéctese a www.weber.com.

Patrón de la Llama del Quemador

Los quemadores de la barbacoa de gas Weber® han sido ajustados en la fabrica para que les entre la mezcla correcta de aire y gas. El patrón de llama correcto se muestra en la ilustración y se describe a continuación:

- A) Tubo quemador (1)
 B) Las puntas ocasionalmente titilarán con un color amarillo (2)
 C) Azul claro (3)
 D) Azul oscuro (4)

Si las llamas no se presentan de manera uniforme a lo largo del tubo quemador, siga las instrucciones de limpieza del quemador. ♦



SUMMIT[®]

GRILL CENTER



GRILL A GAZ

Mode d'emploi du Grill à gaz PL

SUMMIT[®] GRILL CENTER

#56567



VOUS DEVEZ LIRE CE MODE D'EMPLOI AVANT D'UTILISER VOTRE GRILL A GAZ.

⚠ DANGER

S'il y a une odeur de gaz :

1. Coupez l'admission de gaz de l'appareil.
2. Éteindre toute flamme nue.
3. Ouvrir le couvercle.
4. Si l'odeur persiste, éloignez-vous de l'appareil et appelez immédiatement le fournisseur de gaz ou le service d'incendie.

Une fuite de gaz risque de provoquer un incendie ou une explosion susceptible d'occasionner des blessures graves, voire mortelles, ou des dégâts matériels.

⚠ AVERTISSEMENT :

1. Ne pas entreposer ni utiliser de l'essence ni d'autres vapeurs ou liquides inflammables dans le voisinage de l'appareil, ni de tout autre appareil.
2. Une bouteille de propane qui n'est pas raccordée en vue de son utilisation, ne doit pas être entreposée dans le voisinage de cet appareil ou de tout autre appareil.

⚠ MISE EN GARDE : Suivez toutes les procédures de détection des fuites de ce manuel avec soin avant d'utiliser la barbecue. Faites-le même si la barbecue a été assemblée par le revendeur.

NOTE A L'INTENTION DE L'INSTALLATEUR : Les présentes instructions doivent être remises au propriétaire et le propriétaire devrait les conserver pour les utiliser plus tard.

CET APPAREIL A GAZ EST CONCU POUR UNE UTILISATION EN EXTERIEUR UNIQUEMENT.

⚠ MISE EN GARDE : N'allumez pas cet appareil sans lire d'abord les sections traitant de L'ALLUMAGE DU BRULEUR de ce manuel.



56567

FC - FRENCH CANADIAN

⚠ DANGER

Le non respect des consignes intitulées Danger, Mise en garde et Attention contenues dans le présent Mode d'emploi peut entraîner une blessure grave ou la mort, ou un incendie ou une explosion provoquant des dommages à la propriété.

⚠ MISES EN GARDE

- ⚠ Ne stockez pas de bouteille de gaz propane liquide de rechange ou de bouteille de gaz propane liquide débranchée au-dessous ou à proximité de ce barbecue.
- ⚠ Un mauvais montage peut se révéler dangereux. Veuillez suivre les instructions de montage avec soin.
- ⚠ Après une période de stockage et/ou d'inutilisation, le barbecue à gaz Weber® devrait faire l'objet d'une vérification visant à détecter toute fuite et toute obstruction des brûleurs avant toute utilisation. Voir les instructions de ce manuel pour les procédures correctes.
- ⚠ N'utilisez pas le barbecue à gaz Weber® en cas de fuite.
- ⚠ N'utilisez pas de flamme pour détecter les fuites de gaz.
- ⚠ Aucune matière inflammable ne devrait jamais se trouver dans un rayon de 24 pouces par rapport à l'arrière ou aux côtés de votre barbecue à gaz Weber®.
- ⚠ Ne placez pas de bâche de protection de barbecue ni aucune matière inflammable sur la barbecue ou dans la zone de stockage au-dessous du barbecue.
- ⚠ Votre barbecue à gaz Weber® ne devrait jamais être utilisé par des enfants. Les pièces accessibles du barbecue peuvent atteindre une température très élevée. Maintenez les jeunes enfants à l'écart pendant son utilisation.
- ⚠ Vous devriez faire preuve d'une prudence raisonnable lorsque vous utilisez votre barbecue à gaz Weber®. Celui-ci sera très chaud pendant la cuisson ou le nettoyage et ne devrait jamais être laissé sans surveillance ni déplacé pendant son utilisation.
- ⚠ Si les brûleurs s'éteignent pendant l'utilisation, fermez toutes les valves de gaz. Ouvrez le couvercle puis patientez cinq minutes avant d'essayer de rallumer les brûleurs, en utilisant les instructions pour l'allumage.
- ⚠ N'utilisez pas de charbon de bois ni de pierres de lave dans votre barbecue à gaz Weber®.
- ⚠ Ne vous penchez jamais au-dessus du grill ouvert ou ne placez jamais les mains ou les doigts sur l'extrémité avant du boîtier de cuisson.
- ⚠ Si un feu de graisse se produisait, fermez tous les brûleurs et laissez le couvercle fermé jusqu'à ce que le feu s'éteigne.
- ⚠ N'élargissez pas les orifices des valves ou les ports des brûleurs lorsque vous nettoyez les valves ou les brûleurs.
- ⚠ Le barbecue à gaz Weber® devrait être nettoyé méticuleusement de façon régulière.
- ⚠ Le gaz propane liquide n'est pas du gaz naturel. La conversion ou la tentative d'utilisation de gaz naturel dans un appareil à propane liquide ou de gaz propane liquide dans un appareil à gaz naturel est dangereuse et annulera votre garantie.
- ⚠ Ne tentez pas de déconnecter un raccord de gaz pendant que votre barbecue est en fonctionnement.

- ⚠ Utilisez des gants pour barbecue résistants à la chaleur lorsque vous utilisez le barbecue.
- ⚠ Maintenez tout cordon électrique d'alimentation ainsi que le tuyau d'alimentation en combustible à l'écart de toute surface chauffée.
- ⚠ Les dérivés de combustion générés lors de l'utilisation de ce produit contiennent des agents chimiques reconnus par l'Etat de Californie comme provoquant des cancers, des anomalies congénitales ou d'autres troubles de la reproduction.
- ⚠ N'utilisez ce barbecue que si toutes les pièces sont en place. Cet appareil doit être correctement assemblé conformément aux instructions de montage.
- ⚠ N'intégrez pas ce modèle de grill à n'importe quelle construction encastrée ou à glissière. Le non respect de cet Avertissement risque de provoquer un incendie ou une explosion susceptible de provoquer des dégâts matériels ainsi que des blessures graves voire un décès.
- ⚠ Proposition 65 Mise en garde : La manipulation du matériau en cuivre contenu dans ce produit vous expose au plomb, agent chimique reconnu par l'état de Californie comme étant à l'origine de cancers, d'anomalies congénitales ou d'autres troubles de la reproduction.
(Lavez-vous les mains après avoir manipulé ce produit.) ♦

APPAREILS A GAZ PROPANE UNIQUEMENT:

- ⚠ Utilisez l'ensemble régulateur de pression et tuyau fourni avec votre barbecue à gaz Weber®.
- ⚠ Ne tentez pas de déconnecter l'ensemble régulateur et tuyau de gaz ni tout autre raccord de gaz pendant que vous utilisez votre barbecue.
- ⚠ L'utilisation d'une bouteille de gaz propane liquide comportant une bosse ou d'une bouteille rouillée peut être dangereuse et une telle bouteille devrait être vérifiée par votre fournisseur de propane. N'utilisez pas une bouteille de propane liquide dont la valve est détériorée.
- ⚠ Bien que votre bouteille de propane liquide puisse sembler vide, il est possible qu'elle contienne encore du gaz, et la bouteille devrait être transportée et stockée en conséquence.
- ⚠ Si vous voyez, sentez ou entendez du gaz s'échapper de la bouteille de propane liquide:
 1. Eloignez-vous de la bouteille de propane liquide.
 2. Ne tentez pas de corriger le problème vous-même.
 3. Appelez votre service incendie. ♦

TABLE DES MATIERES

VUE ECLATEE	4	ALLUMAGE & UTILISATION DE LA SEAR STATION®	105
MISES EN GARDE	86	ALLUMAGE DU BRULEUR SEAR STATION®	105
TABLE DES MATIERES	87	POUR ETEINDRE	105
GARANTIE	88	ALLUMAGE MANUEL DU BRULEUR SEAR STATION®	106
GENERALITES	88	POUR ETEINDRE	106
POUR UNE INSTALLATION AU CANADA	88	UTILISATION DU BRULEUR SEAR STATION®	106
UTILISATION	88	ALLUMAGE & UTILISATION DU BRULEUR DU FUMOIR ...	107
STOCKAGE ET/OU INUTILISATION	88	ALLUMAGE DU BRULEUR DU FUMOIR	107
INSTRUCTIONS RELATIVES AU GAZ	89	POUR ETEINDRE	107
ASTUCES POUR UNE MANIPULATION SANS DANGER		ALLUMAGE MANUEL DU BRULEUR DU FUMOIR	108
DES BOUTEILLES DE GAZ PROPANE LIQUIDE	90	POUR ETEINDRE	108
INFORMATIONS IMPORTANTES RELATIVES		UTILISATION DU FUMOIR	109
A LA BOUTEILLE DE PL	90	NETTOYAGE DU FUMOIR	109
PREPARATION DE LA DETECTION DES FUITES	90	ALLUMAGE & UTILISATION DU	
DETECTION DES FUITES DE GAZ	93	BRULEUR DE LA ROTISSOIRE	110
RECHARGEMENT DE LA BOUTEILLE DE PROPANE LIQUIDE	95	ALLUMAGE DU BRULEUR DE LA ROTISSOIRE	110
FONCTIONNALITES D'ECLAIRAGE	95	POUR ETEINDRE	110
LAMPE DE POIGNEE WEBER® GRILL OUT™	95	ALLUMAGE MANUEL DU BRULEUR DE LA ROTISSOIRE	111
BOUTONS DE COMMANDES ECLAIRES	95	POUR ETEINDRE	111
AVANT D'UTILISER LE GRILL	96	PRECAUTIONS DE SECURITE IMPORTANTES	112
NIVEAU DE COMBUSTIBLE	96	UTILISATION DE LA ROTISSOIRE	112
PLATEAU-EGOUTTOIR AMOVIBLE ET EGOUTTOIR JETABLE	96	CUISSON AVEC LA ROTISSOIRE	113
INSPECTION DU TUYAU	96	RANGEMENT DU MOTEUR DE LA ROTISSOIRE	113
UTILISATION DE L'ALLUMAGE SNAP	97	RANGEMENT DE LA BROCHE DE LA ROTISSOIRE	113
ALLUMAGE & UTILISATION DU BRULEUR PRINCIPAL	98	DEPANNAGE	114
ALLUMAGE DU BRULEUR PRINCIPAL	98	DEPANNAGE DU BRULEUR LATERAL	115
POUR ETEINDRE	98	DEPANNAGE DE LA SEAR STATION®	115
ALLUMAGE MANUEL DU BRULEUR PRINCIPAL	99	DEPANNAGE DE LA ROTISSOIRE	115
POUR ETEINDRE	99	DEPANNAGE DE L'ECLAIRAGE	
ASTUCES & CONSEILS POUR LA GRILLADE	100	DE POIGNEE GRILL OUT™	115
PRÉCHAUFFAGE	100	MAINTENANCE	117
CUISSON COUVERTE	100	NETTOYAGE	117
ECOULEMENTS DE JUS ET DE GRAISSES	100	GRILLES ANTI-ARAIGNEES/INSECTES WEBER®	117
SYSTÈME FLAVORIZER®	100	NETTOYAGE DE TUBE DE BRÛLEUR	117
SEAR STATION®	100	REMPACEMENT DES BRULEURS PRINCIPAUX	118
METHODES DE CUISSON	101	MAINTENANCE DU BRULEUR LATERAL	120
CUISSON DIRECTE	101	MAINTENANCE ANNUELLE	121
CUISSON INDIRECTE	101	ALLUMAGE & UTILISATION DU BRULEUR LATERAL	102
ALLUMAGE & UTILISATION DU BRULEUR LATERAL	102	ALLUMAGE DU BRULEUR LATERAL	102
ALLUMAGE DU BRULEUR LATERAL	102	POUR ETEINDRE	102
POUR ETEINDRE	102	ALLUMAGE MANUEL DU BRULEUR LATERAL	103
ALLUMAGE MANUEL DU BRULEUR LATERAL	103	POUR ETEINDRE	103
POUR ETEINDRE	103	UTILISATION DU BRULEUR LATERAL	104
UTILISATION DU BRULEUR LATERAL	104		

GARANTIE

Weber-Stephen Products LLC (Weber) garantit par le présent document à l'ACHETEUR D'ORIGINE de ce grill à gaz Weber® que celui-ci ne comportera aucun défaut de pièce ni de main d'œuvre à compter de la date d'achat comme suit :

Fonte d'aluminium:	25 ans (2 ans pour l'application de toute décoloration)
Structure en acier inoxydable:	25 ans
Structure émaillée:	25 ans
Tubes du brûleur en acier inoxydable:	10 ans
Grilles de cuisson en acier inoxydable:	5 ans sans trou provoqué par la rouille ou par une brûlure
Barres Flavorizer® en acier inoxydable:	5 ans sans trou provoqué par la rouille ou par une brûlure
Grilles de cuisson en fonte fer émaillée:	5 ans sans trou provoqué par la rouille ou par une brûlure
Grilles de cuisson émaillées:	3 ans sans trou provoqué par la rouille ou par une brûlure
Barres Flavorizer® émaillées:	2 ans sans trou provoqué par la rouille ou par une brûlure
Brûleur de la rôtissoire à infrarouge:	2 ans
Toutes les autres pièces:	2 ans

à condition qu'il ait été assemblé et utilisé conformément aux instructions imprimées qui l'accompagnent. Weber peut exiger une preuve raisonnable de votre date d'achat. VOUS DEVRIEZ DONC CONSERVER VOTRE TICKET DE CAISSE OU VOTRE FACTURE.

La présente Garantie limitée est limitée à la réparation ou au remplacement des pièces qui s'avèrent défectueuses dans le cadre d'une utilisation normale et d'un entretien normal et dont l'examen indique, à la satisfaction de Weber, qu'elles sont défectueuses. Avant de retourner toute pièce, veuillez entrer en contact avec le Représentant du Service clientèle le plus proche grâce aux coordonnées à votre disposition sur notre site Internet. Si Weber confirme le défaut et approuve la demande, Weber choisira de remplacer ces pièces sans frais. S'il vous est demandé de retourner les pièces défectueuses, les frais de transport devront être prépayés. Weber retournera les pièces à l'acheteur, franco de port.

La présente Garantie limitée ne couvre pas toute défaillance ou difficulté d'utilisation provoquée par un accident, une utilisation abusive, une mauvaise utilisation, une altération, une mauvaise application, un acte de vandalisme, une installation incorrecte ou une maintenance ou un entretien incorrects, ou le défaut d'entretien normal et régulier, y compris mais pas seulement les dommages provoqués par des insectes à l'intérieur des tubes du brûleur, tel que décrit dans le présent mode d'emploi.

Toute détérioration ou tout dommage résultant de conditions météorologiques graves comme de la grêle, des ouragans, des séismes ou des tornades, toute décoloration résultant d'une exposition à des agents chimiques directement ou dans l'atmosphère, n'est pas couverte dans le cadre de la présente Garantie limitée.

Il n'existe aucune autre garantie expresse hormis celles exposées dans le présent document et toute garantie de commercialisation et de bon état induite est limitée en durée à la période de couverture de la présente Garantie limitée écrite expresse. Certaines régions n'autorisent pas de limitation de durée de la garantie induite ; il est donc possible que cette limitation ne s'applique pas à vous.

Weber ne peut être tenu pour responsable de tout dommage particulier, induit ou se produisant par voie de conséquence. Certaines régions n'autorisent pas l'exclusion ou la limitation des dommages indirects ou se produisant par voie de conséquence ; il est donc possible que cette limitation ou exclusion ne s'applique pas à vous.

Weber n'autorise aucune personne ou société à présumer en son nom de toute autre obligation ou responsabilité en relation avec la vente, l'installation, l'utilisation, le retrait, le retour ou le remplacement de ses équipements ; et aucune de ces représentations ne lie Weber.

La présente Garantie s'applique uniquement aux produits vendus au détail.

WEBER-STEPHEN PRODUCTS LLC
Product Registration
P.O. Box 40530
Burlington, ON L7P 4W1

Pour des pièces de rechange, appelez le :
1-800-265-2150
www.weber.com

Connectez-vous sur www.weber.com, sélectionnez votre pays d'origine, et enregistrez votre grill aujourd'hui. ♦

GENERALITES

Avec le barbecue à gaz Weber®, vous pouvez griller, cuire au barbecue, rôtir, et cuire avec des résultats qui sont difficiles à dupliquer avec des appareils de cuisine d'intérieur. Le couvercle fermé et les barres Flavorizer® produisent cette saveur "d'extérieur" dans les aliments.

L'arrivée de gaz propane liquide (PL) est facile à utiliser et elle vous donne plus de contrôle sur la cuisson que du charbon de bois.

- Les présentes instructions vont vous fournir les exigences minimales pour l'assemblage de votre barbecue à gaz Weber®. Veuillez lire attentivement les instructions avant d'utiliser votre barbecue à gaz Weber®. Un montage incorrect peut s'avérer dangereux.
- Ne convient pas pour une utilisation par des enfants.
- S'il existe des codes régionaux qui s'appliquent aux grills à gaz intégrés, vous devrez vous y conformer. L'installation doit être conforme aux codes régionaux ou, en l'absence de codes régionaux, avec le Code national des gaz combustibles, ANSI Z223.1/NFPA 54, le Code des installations au gaz naturel et au gaz propane, CSA B149.1, ou avec le Code de stockage et de manipulation du propane, B149.2 le cas échéant.
- Le régulateur de pression fourni avec le barbecue à gaz Weber® doit être utilisé. Ce régulateur est réglé pour 11 pouces de colonne d'eau (pression).
- Ce barbecue à gaz Weber® est conçu pour une utilisation avec du gaz propane liquide (PL) uniquement. Ne l'utilisez pas avec du gaz naturel (gaz de ville). Les valves, les orifices, le tuyau, et le régulateur sont conçus pour du gaz PL uniquement.
- Ne pas utiliser avec du charbon de bois.
- Vérifiez que la zone sous le panneau de commandes et le plateau de récupération des graisses ne comportent aucun débris susceptible de faire obstruction à la circulation de l'air nécessaire à la combustion ou à la ventilation.
- Les zones situées autour de la bouteille de PL doivent être dégagées et ne comporter aucun débris
- Les assemblages régulateurs de pression et tuyau de rechange doivent être ceux spécifiés par Weber-Stephen Products LLC. ♦

POUR UNE INSTALLATION AU CANADA

Les présentes instructions, bien que généralement acceptables, ne respectent pas nécessairement les codes pour l'Installation au Canada, en particulier en ce qui concerne les canalisations au-dessus et au-dessous du sol. Au Canada, l'installation de cet appareil doit respecter les codes régionaux et/ou la Norme CSA-B149.2 (Code sur le stockage et la manipulation de propane). ♦

UTILISATION

- ▲ **MISE EN GARDE : Utilisez ce barbecue uniquement en extérieur dans une zone bien ventilée. Ne pas utiliser dans un garage, un bâtiment, un passage couvert ou toute autre zone confinée.**
- ▲ **MISE EN GARDE : Maintenez les ouvertures de ventilation du meuble de la bouteille dégagées et sans aucun débris.**
- ▲ **MISE EN GARDE : Votre barbecue à gaz Weber® ne doit pas être utilisé sous une structure suspendue inflammable.**

- ▲ **MISE EN GARDE : N'utilisez pas ce barbecue à moins de 24 pouces (610 mm) de tout matériau inflammable, par rapport au dessus, au dessous, à l'arrière ou aux côtés du grill.**
- ▲ **MISE EN GARDE : La totalité du boîtier de cuisson atteint une température très élevée pendant l'utilisation. Ne le laissez pas sans surveillance.**
- ▲ **MISE EN GARDE : Maintenez tout cordon d'alimentation électrique ainsi que le tuyau d'alimentation en combustible éloignés de toute surface chauffée.**
- ▲ **MISE EN GARDE : Maintenez la zone de cuisson dégagée de toutes vapeurs inflammables ou de liquides comme de l'essence, de l'alcool, etc. et de tout matériau combustible.**
- ▲ **MISE EN GARDE : Ne conservez jamais une bouteille de PL supplémentaire (de rechange) sous ou à proximité du barbecue à gaz Weber®.**
- ▲ **MISE EN GARDE : Maintenez les ouvertures de ventilation du meuble de la bouteille dégagées et sans aucun débris.**
- ▲ **MISE EN GARDE : Fermez le gaz au niveau de la bouteille d'arrivée de gaz PL lorsque l'appareil de cuisson à gaz d'extérieur n'est pas utilisé.**
- ▲ **MISE EN GARDE : Les bouteilles de PL doivent être conservées en extérieur hors de portée des enfants et elles ne doivent pas être stockées dans un bâtiment, dans un garage ou dans toute autre zone confinée.**
- ▲ **MISE EN GARDE : La bouteille de PL utilisée avec votre barbecue doit être pourvue d'un dispositif de prévention contre le remplissage excessif (OPD - Overfilling Prevention Device) agréé et d'un raccord de bouteille QCC1 ou de Type 1 (CGA810). Le raccord de la bouteille doit être compatible avec le raccord du barbecue. ♦**

STOCKAGE ET/OU INUTILISATION

- Le gaz doit être fermé au niveau de la bouteille de propane liquide lorsque le barbecue à gaz Weber® n'est pas utilisé.
- La bouteille de PL doit être conservée en extérieur dans une zone bien ventilée hors de portée des enfants. Une bouteille de PL déconnectée ne doit pas être conservée dans un bâtiment, un garage ou toute autre zone confinée.
- Vérifiez que les zones situées sous le panneau de commande et le plateau de récupération des graisses amovible ne comportent aucun débris susceptible de faire obstruction à la circulation de l'air nécessaire à la combustion et à la ventilation.
- Les grilles anti-araignées/insectes devraient également être vérifiées afin de détecter toute obstruction. (Voir "MAINTENANCE/MAINTENANCE ANNUELLE.") ♦

INSTRUCTIONS RELATIVES AU GAZ

ASTUCES POUR UNE MANIPULATION SANS DANGER DES BOUTEILLES DE GAZ PROPANE LIQUIDE

- Le gaz propane liquide (PL) est un produit dérivé du pétrole comme le sont l'essence et le gaz naturel. Le gaz PL est gazeux à des températures et à des pressions ordinaires. Soumis à une pression modérée, à l'intérieur d'une bouteille de gaz, le gaz PL est liquide. Au fur et à mesure que la pression diminue, le liquide vaporise rapidement et devient gazeux.
- L'odeur du gaz PL ressemble à celle du gaz naturel. Vous devriez avoir conscience de cette odeur.
- Le gaz PL est plus lourd que l'air. Du gaz PL s'échappant d'une fuite peut s'accumuler dans des espaces proches du sol, ce qui empêcherait sa dispersion.
- Pour remplir la bouteille de PL, emmenez-la chez un revendeur de gaz propane, ou cherchez à "gaz propane" dans l'annuaire pour d'autres source de gaz PL.

⚠ MISE EN GARDE : Nous vous recommandons de faire remplir votre bouteille de PL auprès d'un revendeur de gaz PL agréé, par du personnel qualifié, qui remplit la bouteille au poids. UN REMPLISSAGE INCORRECT EST DANGEREUX.

- L'air doit être extrait d'une bouteille de PL neuve avant que celle-ci soit remplie pour la première fois. Votre revendeur de PL est équipé pour effectuer cette opération.
- La bouteille de PL doit être installée, transportée, et stockée en position verticale. Les bouteilles de PL ne devraient pas être lâchées ou manipulées brutalement.
- Ne stockez ou ne transportez jamais la bouteille de PL dans des endroits où la température peut atteindre 125° F (trop chaud pour tenir à la main). Par exemple : ne laissez pas la bouteille de PL à l'intérieur d'une voiture par une journée chaude.

Remarque : Une recharge va durer environ 18-20 heures de temps de cuisson dans des conditions d'utilisation normales. Le niveau de combustible, fonctionnalité disponible sur certains de nos grills, indiquera le niveau de propane de sorte que vous puissiez recharger la bouteille avant de manquer de combustible. La bouteille n'a pas besoin d'être vide pour être rechargée.

- Manipulez les bouteilles de PL "vides" avec le même soin que lorsqu'elles sont pleines. Même lorsque la bouteille de PL ne contient plus de liquide, il peut toujours y avoir du gaz sous pression à l'intérieur. Fermez toujours la valve de la bouteille avant de la déconnecter.

⚠ ATTENTION : Placez le cache anti-poussière sur la sortie de la valve de la bouteille de gaz chaque fois que celle-ci est inutilisée. N'installez que le type de cache anti-poussière fourni avec la valve de la bouteille de gaz. L'utilisation d'autres types de caches ou de bouchons pourrait entraîner une fuite de propane.

- N'utilisez pas de bouteille de PL détériorée. Une bouteille de PL comportant un renforcement ou rouillée ou une bouteille de PL dont la valve est détériorée peut être dangereuse et devrait immédiatement être remplacée par une bouteille neuve.
- Le raccord où le tuyau est relié à la bouteille de gaz PL doit faire l'objet d'un contrôle de détection des fuites à chaque fois que la bouteille de PL est rebranchée. Par exemple, détectez les fuites à chaque fois que le bouteille de PL est rechargée.
- Assurez-vous que le régulateur est monté avec le petit trou d'aération orienté vers le bas de sorte qu'il ne reçoive pas d'eau. Cette aération devrait être dégagée des impuretés, de la graisse, des insectes, etc.
- Les raccords de gaz fournis avec votre barbecue à gaz Weber® ont été conçus et testés pour être conformés à 100% des exigences du CSA et de l'ANSI.

⚠ MISE EN GARDE : Les bouteilles de PL de recharge doivent s'adapter au raccord du régulateur fourni avec ce barbecue.

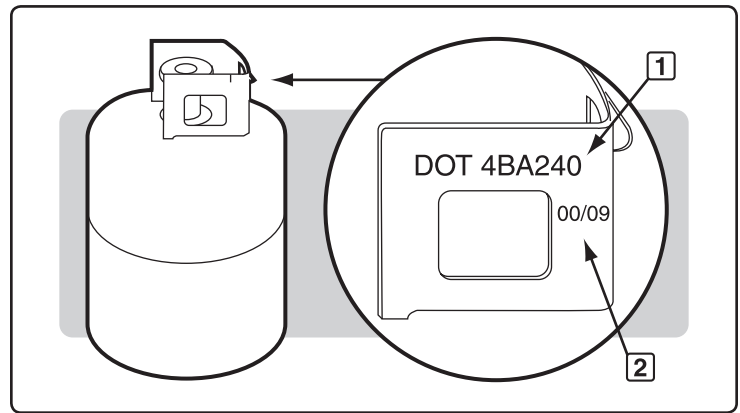
Exigences Relatives à la Bouteille de Propane Liquide

- Assurez-vous que les bouteilles de gaz sont certifiées D.O.T. (1), et que leur date vérifié (2) est dans les cinq ans. Votre fournisseur de gaz PL peut faire cela pour vous.
- Tous les dispositifs de rechargement de bouteilles de PL doivent inclure une collerette pour protéger la valve de la bouteille de gaz.
- La bouteille de PL doit avoir une taille de 20 lb. environ (18¼ pouces de haut et 12¼ pouces de diamètre).
- La bonbonne doit être fabriquée et marquée conformément aux Spécifications s'appliquant aux bonbonnes de gaz – propane liquide du ministère américain des Transports (D.O.T.) ou à la norme nationale du Canada, CAN/CSA-B339, sur les bonbonnes, sphères et tuyaux ou sur le transport des marchandises dangereuses; et commission, si applicable.

Exigences Canadiennes en Ce Qui Concerne les Bouteilles de Propane Liquide

Remarque : Votre détaillant peut vous aider à trouver une bouteille de gaz de recharge adaptée à votre barbecue.

- La bouteille de PL doit être fabriquée et marquée conformément aux spécifications relatives aux bouteilles de gaz PL, T.C. ♦



INSTRUCTIONS RELATIVES AU GAZ

INFORMATIONS IMPORTANTES RELATIVES A LA BOUTEILLE DE PL

⚠ DANGER

Ne stockez JAMAIS une bouteille de PL de recharge au-dessous ou à proximité de ce barbecue. Ne remplissez JAMAIS la bouteille à plus de 80%. Le non respect strict des consignes de sécurité intitulées DANGER pourrait entraîner un incendie provoquant la mort ou une blessure grave.

Votre grill à gaz Weber® est équipé pour être raccordé à un dispositif d'alimentation de bouteille de gaz conçu pour éliminer les émanations.

⚠ MISE EN GARDE : N'utilisez ce grill qu'en extérieur dans une zone bien ventilée. Ne l'utilisez pas dans un garage, dans un passage couvert ni dans toute autre zone confinée.

Les méthodes de remplissage correctes pour le rechargement de votre bouteille de gaz sont le remplissage au poids ou au volume, tel que décrit par la norme NFPA 58. Veuillez vous assurer que votre station de remplissage remplit votre bouteille de PL au poids ou au volume. Demandez au personnel de votre station de remplissage de lire les consignes de purge et de remplissage figurant sur la bouteille de PL avant de tenter de la remplir. ♦

PREPARATION DE LA DETECTION DES FUITES

Vérifiez que Toutes les Valves des Brûleurs Sont Fermées

Les valves sont expédiées en position fermée (ARRÊTÉ), mais vous devriez les vérifier pour vous assurer qu'elles sont fermées. Vérifiez en les enfonçant et en les tournant dans le sens des aiguilles d'une montre. Si elles ne tournent pas, elles sont fermées. Si elles tournent, continuez à les tourner jusqu'à ce qu'elles ne tournent plus; elles sont maintenant fermées.

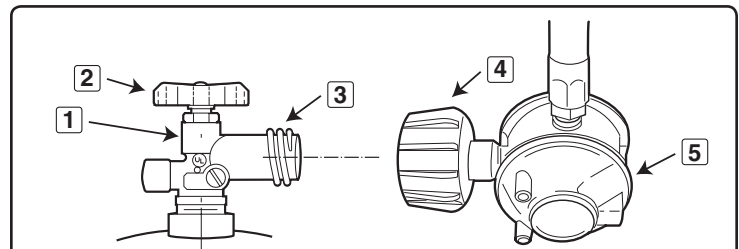
La bouteille de propane liquide

Tous les régulateurs des bouteilles de gaz propane liquide Weber® sont équipés de raccords de bouteilles de gaz homologués par l'UL conformément à la dernière édition de l'ANSI Z21.58. Ceci nécessite une bouteille de propane liquide également équipée d'un raccord de Type 1 à l'intérieur de la valve de la bouteille de gaz. Ce couplage de Type 1 vous permet d'effectuer un branchement sûr et totalement sécurisé entre votre grill à gaz et votre bouteille de propane liquide. Cela élimine les risques de fuites dues à un raccord PL mal serré. Le gaz ne sort pas de la bouteille tant que le couplage de Type 1 n'est pas complètement engagé à l'intérieur du couplage.

⚠ MISE EN GARDE : Assurez-vous que la valve de la bouteille de PL est fermée. Fermez-la en tournant la valve dans le sens des aiguilles d'une montre.

⚠ DANGER

N'utilisez pas de flamme nue pour détecter les fuites de gaz. Assurez-vous de l'absence de toute étincelle ou flamme nue dans la zone pendant que vous détectez les fuites. Des étincelles ou des flammes provoqueraient un incendie ou une explosion susceptible de provoquer une blessure grave ou la mort, et des dommages à la propriété.



COUPLAGE DE CONNEXION DE TYPE 1

1	Valve de type 1
2	Volant manuel
3	Filetage externe
4	Ecrou thermosensible
5	Régulateur de propane

INSTRUCTIONS RELATIVES AU GAZ

A) Localisez la pince de retenue du tuyau (1) sur le tuyau du régulateur. Fixez-la à l'intérieur de la fente (2) au-dessous du support de la bouteille.

⚠ MISE EN GARDE : Le tuyau doit être fixé au support de la bouteille au moyen de la Pince de retenue du tuyau. Le non respect de cette consigne pourrait entraîner une détérioration du tuyau provoquant un incendie ou une explosion susceptible de provoquer une blessure grave ou la mort, et des dommages à la propriété.

Certaines bouteilles de PL ont des assemblages de colliers supérieurs différents. (Le collier supérieur est l'anneau de protection métallique autour de la valve.) Une série de bouteilles est montée avec la valve vers l'avant (3). Les autres bouteilles sont montées avec la valve du côté opposé par rapport au support de la bouteille (4). Weber® recommande l'utilisation des bouteilles des fabricants Manchester et Worthington, d'une capacité de 47,6 lb de liquide. D'autres bouteilles peuvent être acceptables pour une utilisation avec l'appareil à condition qu'elles soient compatibles avec le moyen de rétention de l'appareil (voir l'illustration pour le point de contact du moyen de rétention).

La bouteille de PL est installée à l'intérieur du placard, sur le support de bouteille (côté droit).

B) Ouvrez les portes du placard inférieur.

C) Desserrez l'écrou à ailettes de verrouillage de la bouteille. Faites basculer le verrou de la bouteille vers le haut (5).

D) Positionnez la bouteille de PL de sorte que l'ouverture de la valve se trouve soit à l'avant soit sur le côté du barbecue à gaz Weber®.

E) Soulevez la bouteille et placez-la en position sur le support (6).

F) Desserrez l'écrou à oreilles de verrouillage de la bouteille. Faites pivoter le verrou de la bouteille vers le bas. Serrez l'écrou à oreilles.

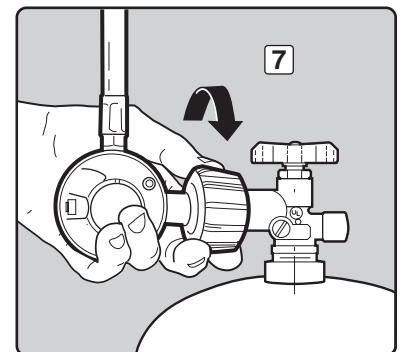
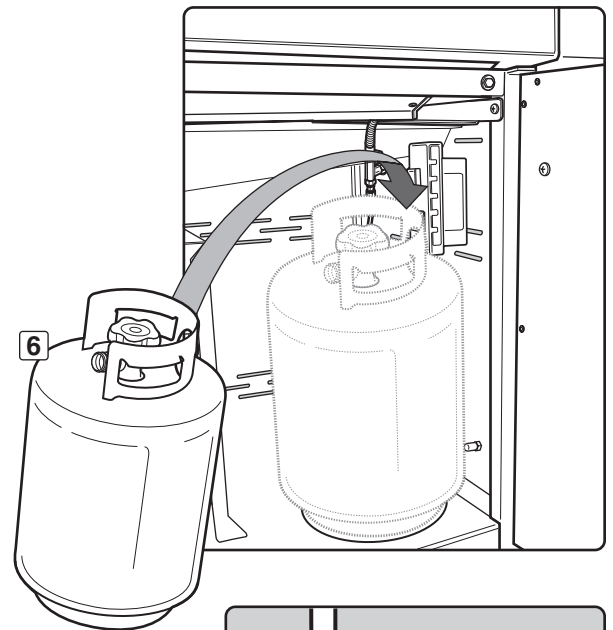
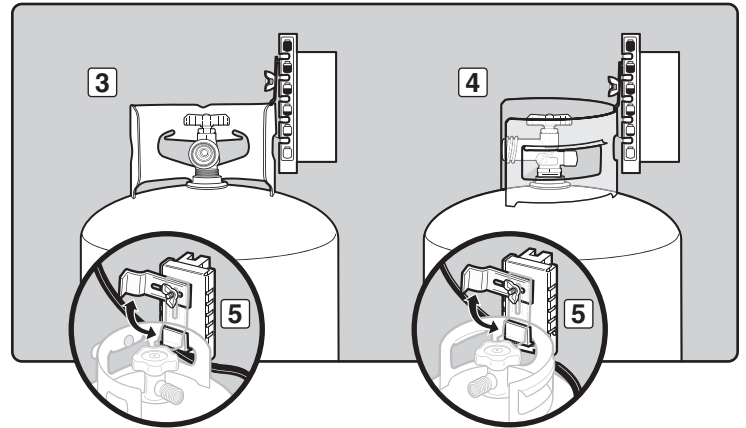
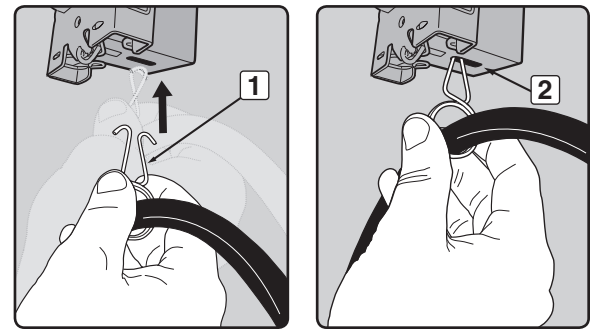
Connexion du tuyau à la bouteille

A) Retirez le cache anti-poussière en plastique de la valve.

B) Vissez le couplage du régulateur sur la valve de la bouteille de gaz, dans le sens des aiguilles d'une montre, ou vers la droite. Serrez à la main uniquement (7).

Remarque : Ce raccord se serre dans le sens des aiguilles d'une montre et ne laisse pas le gaz circuler tant que le raccord n'est pas hermétique. Le raccord doit être serré à la main uniquement.

⚠ MISE EN GARDE : N'utilisez pas de clé pour serrer le raccord. L'utilisation d'une clé risquerait de détériorer le couplage du régulateur et pourrait provoquer une fuite.



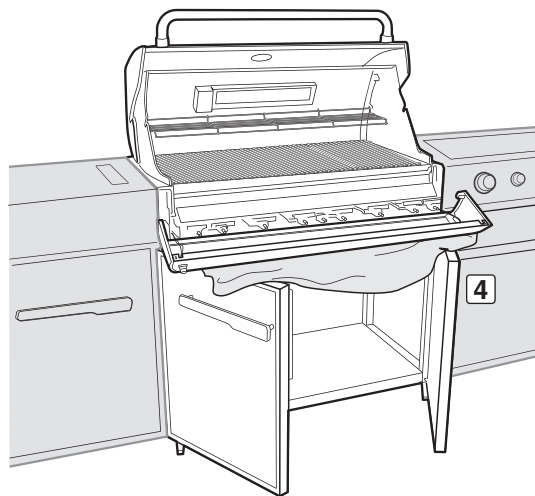
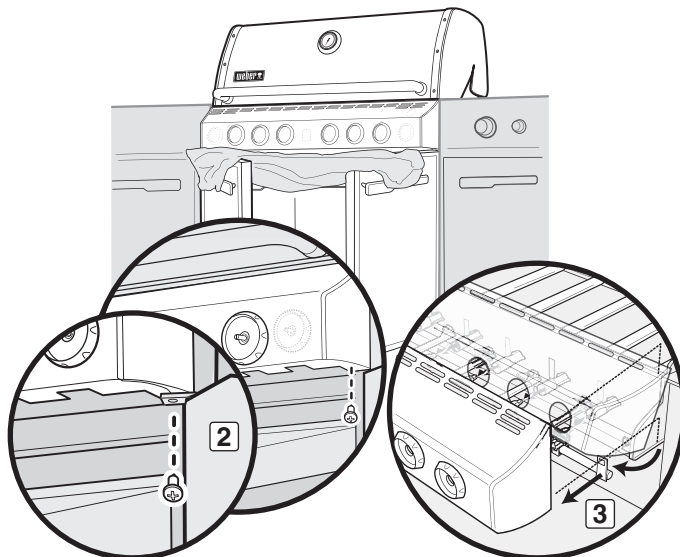
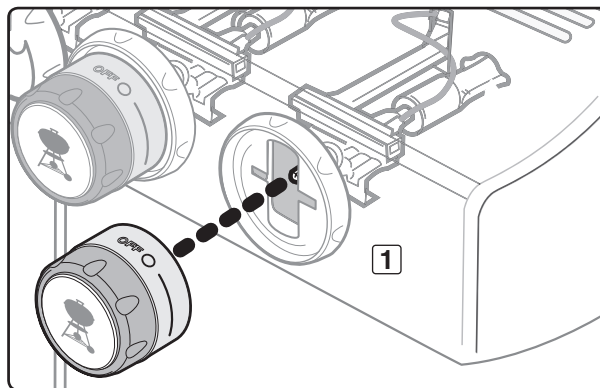
INSTRUCTIONS RELATIVES AU GAZ

⚠ MISE EN GARDE : Les raccords de gaz de votre grill à gaz Summit® ont été testés en usine. Nous vous recommandons néanmoins de détecter les fuites sur tous les raccords de gaz avant d'utiliser votre grill à gaz Summit®.

Retirez votre panneau de commandes

Pièces nécessaires : Un tournevis cruciforme et une serviette.

- A) Retirez les boutons de commande du brûleur (1).
- B) Ouvrez les deux portes et placez une serviette au-dessus des portes. Ceci va protéger le panneau de commandes et les parties supérieures des portes d'être rayés lors de la prochaine étape.
- C) Retirez les vis du dessous du panneau de commandes à l'aide d'un tournevis cruciforme (2).
- D) Inclinez le panneau de commandes vers l'avant puis inclinez-le vers le haut et à l'écart du grill (3) (Pour les modèles Summit® avec fonctionnalités LED : Faites attention de ne pas briser ou débrancher les fils des LED du panneau de commandes).
- E) Placez le panneau de commandes sur la serviette qui couvre l'assemblage des portes (4).



Il est possible que le grill de l'illustration présente de légères différences par rapport au modèle acheté.

INSTRUCTIONS RELATIVES AU GAZ

Retirez le panneau arrière du meuble du brûleur latéral ainsi que le déflecteur à eau du meuble du brûleur principal

Outils nécessaires : Un tournevis cruciforme.

- En étant face à l'arrière de l'appareil, retirez les vis qui fixent le panneau arrière du meuble du brûleur latéral à l'aide d'un tournevis cruciforme (1).
- Retirez le panneau arrière et mettez-le de côté (2).
- En étant face à l'avant de l'appareil, ouvrez la porte du meuble du brûleur latéral et retirez la vis qui fixe le déflecteur à eau du meuble du brûleur latéral (3).
- En étant face à l'arrière de l'appareil, enfoncez le déflecteur à eau vers l'avant pour permettre à l'extrémité arrière de tomber. Faire pivoter vers le bas selon un angle et retirer du meuble du brûleur latéral (4). ♦

DETECTION DES FUITES DE GAZ

⚠ DANGER

N'utilisez pas de flamme nue pour effectuer la détection des fuites. Assurez-vous de l'absence de toute étincelle ou flamme nue dans la zone pendant que vous détectez les fuites. La présence d'étincelles ou de flammes nues provoquerait un incendie ou une explosion susceptible d'entraîner des blessures ou un décès ainsi que des dégâts matériels.

Remarque : La totalité des raccords effectués en usine fait l'objet d'une détection minutieuse des fuites. Les brûleurs ont été testés à la flamme. Par mesure de sécurité toutefois, vous devriez vérifier à nouveau la totalité des raccords afin de détecter toute fuite avant d'utiliser votre grill à gaz Weber®. L'expédition et la manipulation peuvent desserrer ou détériorer un raccord de gaz.

⚠ **MISE EN GARDE : Les raccords de gaz de votre grill à gaz ont été testés à l'usine. Nous vous recommandons néanmoins de détecter les fuites pour tous les raccords de gaz avant d'utiliser votre grill à gaz.**

⚠ **MISE EN GARDE : Effectuez ces contrôles de détection des fuites même si votre barbecue a été assemblé par un revendeur ou en boutique.**

Si votre grill est pourvu d'un brûleur latéral, assurez-vous que ce brûleur latéral est éteint.

Ouvrez l'arrivée de gaz à la source.

⚠ **MISE EN GARDE : N'allumez pas les brûleurs lorsque vous détectez les fuites.**

Il vous faudra : Une solution d'eau savonneuse et un chiffon ou une brosse pour l'appliquer.

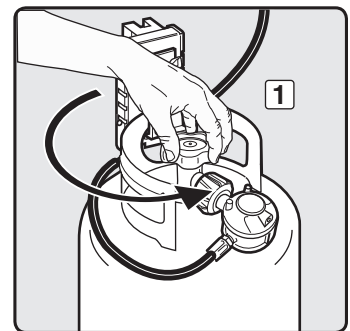
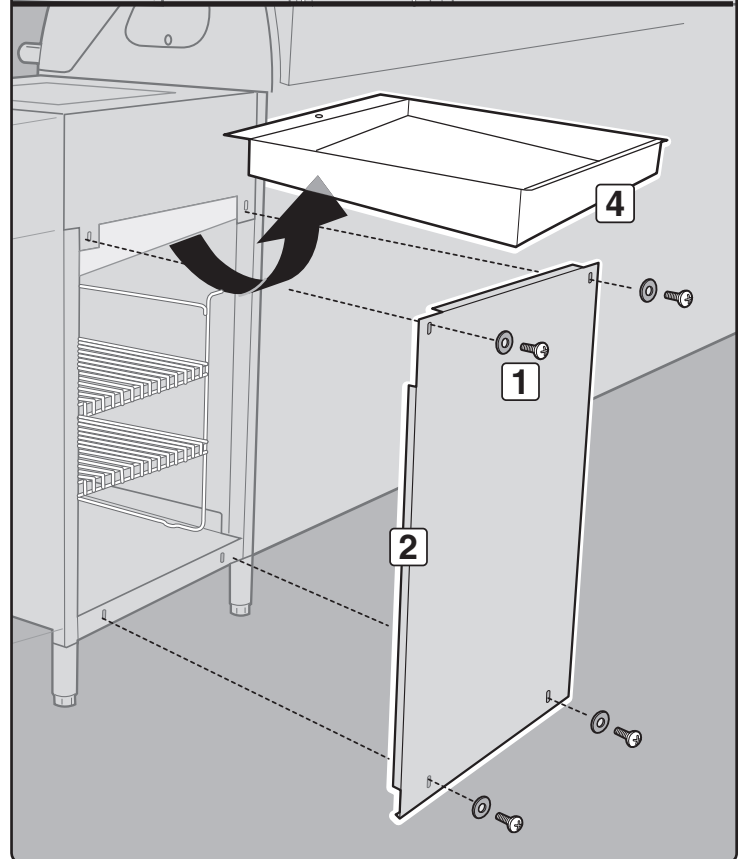
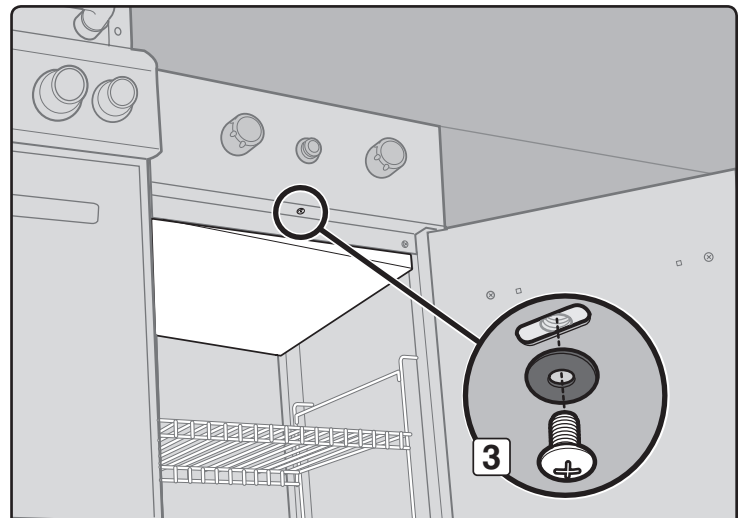
- Mélangez l'eau et le savon.
- Ouvrez l'arrivée de gaz (1).
- Détectez les fuites en humidifiant le raccord à l'aide de la solution d'eau savonneuse et en regardant si des bulles se forment. Si des bulles se forment, ou si une bulle grossit, il y a une fuite.

S'il y a une fuite, fermez le gaz et serrez le raccord. Ouvrez à nouveau le gaz et vérifiez à nouveau à l'aide de la solution d'eau savonneuse. Si la fuite continue, n'utilisez pas le barbecue. Contactez le représentant du Service client le plus proche à l'aide des coordonnées à votre disposition sur notre site Internet. Connectez-vous sur www.weber.com.

- Une fois la détection des fuites terminée, fermez l'arrivée de gaz à la source et rincez les raccords à l'eau.

Remarque : Dans la mesure où certaines solutions de détection des fuites, notamment l'eau savonneuse, peuvent s'avérer légèrement corrosives, la totalité des raccords devrait être rincée à l'eau après la détection des fuites.

⚠ **MISE EN GARDE : Vous devriez détecter les fuites à chaque fois que vous déconnectez et reconnectez un raccord de gaz.**



INSTRUCTIONS RELATIVES AU GAZ

Vérifiez

- A) La connexion entre la conduite de gaz principale et le collecteur (1).
 - B) La connexion entre la Rôtissoire (Brûleur I.R.) et la conduite de gaz (2).
 - C) La connexion entre la tête du brûleur et le tuyau d'arrivée de gaz (3).
 - D) La connexion entre le tuyau du brûleur latéral et la tête du brûleur (4).
- ⚠ **MISE EN GARDE : En cas de fuite au niveau du raccord (1, 2, 3, ou 4), resserrez le raccord à l'aide d'une clé puis effectuez à nouveau la détection des fuites à l'aide d'une solution d'eau savonneuse. En cas de persistance d'une fuite une fois que vous avez resserré le raccord, fermez le gaz. N'UTILISEZ PAS LE GRILL. Contactez le Représentant du service clientèle de votre région à l'aide des coordonnées à votre disposition sur notre site Internet. Connectez-vous sur www.weber.com®.**
- E) Le raccord entre le tuyau du brûleur latéral et la déconnexion rapide, les raccords entre la conduite du brûleur latéral et la valve ainsi que les connexions de l'orifice (5).
 - F) La connexion entre le tuyau et le régulateur (6).
 - G) La connexion entre le régulateur et la bouteille de gaz (7).
 - H) Les connexions entre les valves et le collecteur (8).
- ⚠ **MISE EN GARDE : En cas de fuite au niveau des connexions (5, 6, 7, ou 8), fermez le gaz. N'UTILISEZ PAS LE GRILL. Veuillez contacter le Représentant du service clientèle de votre région à l'aide des coordonnées à votre disposition sur notre site Internet. Connectez-vous sur www.weber.com®.**

Une fois la détection des fuites terminée, fermez l'arrivée de gaz à la source et rincez les connexions à l'eau.

Réinstaller le panneau de commande

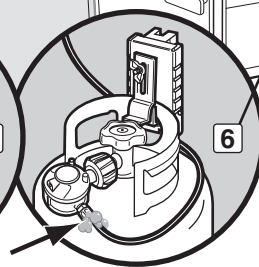
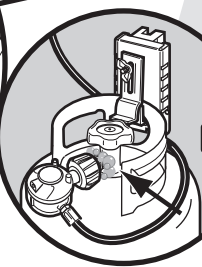
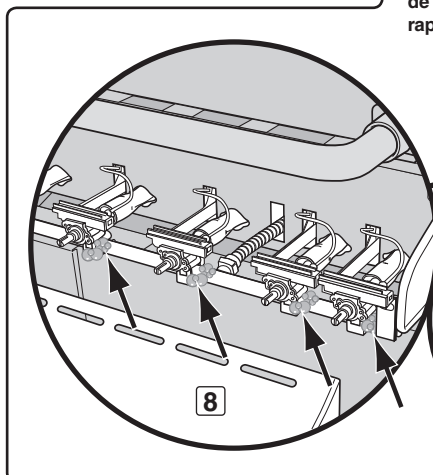
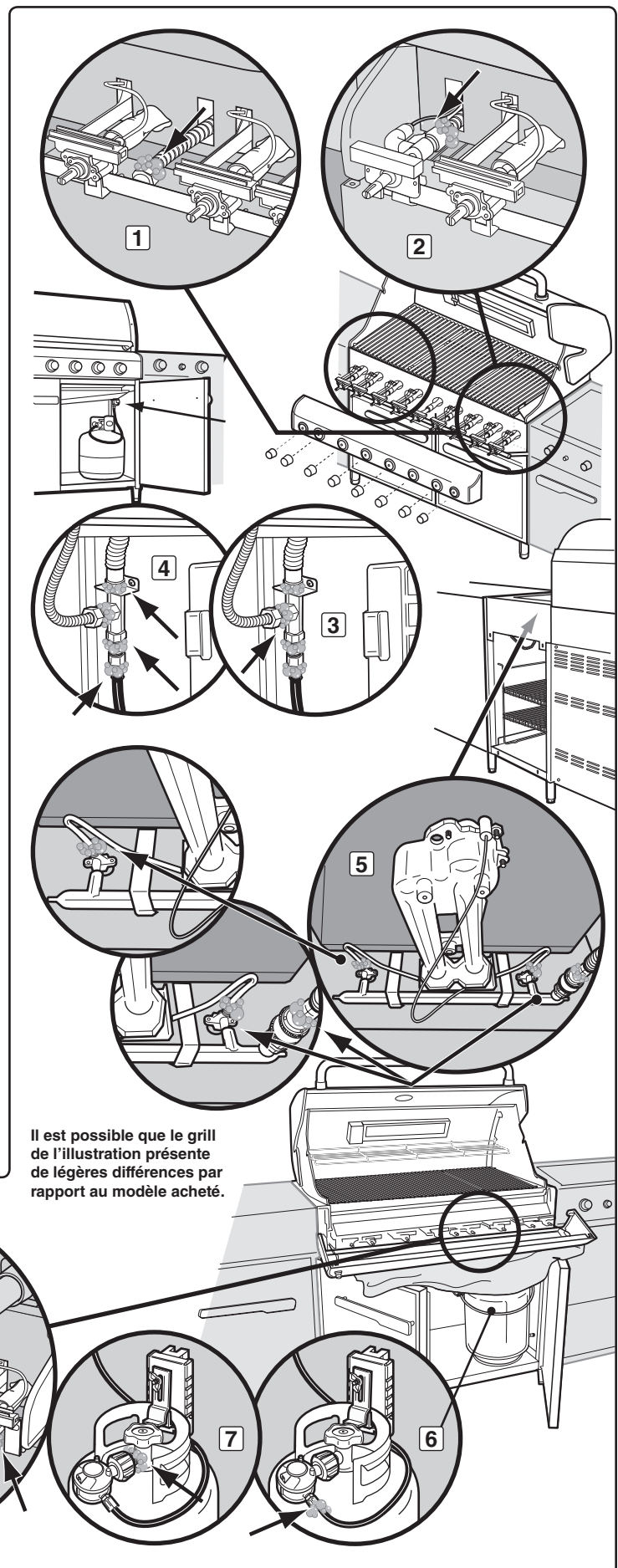
Pièces nécessaires : panneau de commande, vis et boutons de commande du brûleur.

- A) Accrochez l'extrémité supérieure du panneau de commande sur les supports du panneau de commande des deux côtés de l'avant du boîtier de cuisson.
- B) Alignez les vis avec les trous pour les vis situés à la fois sur le support du panneau de commande et sur le cadre. Serrez les vis.
- C) Placez les boutons de commande correspondants sur les tiges des valves.

Réinstallez le déflecteur à eau du meuble du brûleur latéral

Outils nécessaires : Tournevis cruciforme.

- A) Poussez l'extrémité avant du déflecteur à eau vers le haut selon un angle à l'intérieur du meuble du brûleur latéral. L'extrémité avant repose sur la languette sur le dessous de la tablette. Faites pivoter l'extrémité arrière du déflecteur vers le haut et faites-le ensuite reposer sur la languette arrière de la tablette.
- B) Remettez en place la vis qui fixe le déflecteur à eau du meuble du brûleur latéral. ♦



INSTRUCTIONS RELATIVES AU GAZ

RECHARGEMENT DE LA BOUTEILLE DE PROPANE LIQUIDE

Nous vous recommandons de recharger la bouteille de PL avant que celle-ci ne soit complètement vide.

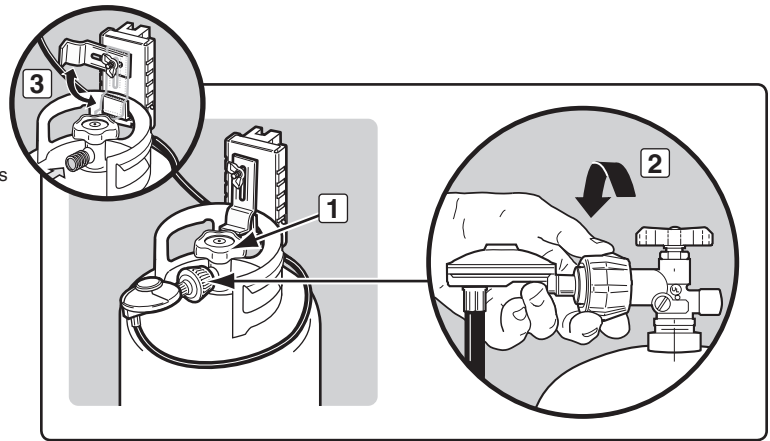
Retrait de la bouteille de PL :

- Fermez la valve de la bouteille de gaz (tournez dans le sens des aiguilles d'une montre) (1).
- Dévissez le couplage du régulateur en le tournant dans le sens inverse des aiguilles d'une montre, à la main uniquement (2).
- Desserrez l'écrou à oreilles verrouillant la bouteille de gaz et retirez le verrou de la bouteille de gaz (3).
- Soulevez la bouteille de gaz pour la sortir.

Pour recharger la bouteille de PL, emmenez-la chez un revendeur de propane, ou cherchez à "gaz propane" dans l'annuaire pour d'autres sources de gaz PL.

⚠ MISE EN GARDE : Nous vous recommandons de faire remplir votre bouteille de PL auprès d'un revendeur de gaz agréé, par du personnel qualifié, qui remplit la bouteille au poids. UN MAUVAIS REMPLISSAGE EST DANGEREUX.

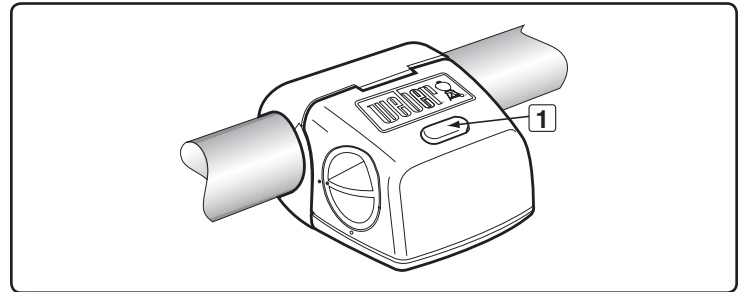
⚠ ATTENTION : Placez le cache anti-poussière sur la sortie de la valve de la bouteille de gaz chaque fois que la bouteille de gaz est inutilisée. N'utilisez que le type de cache anti-poussière fourni avec la valve de la bouteille de propane. L'utilisation d'autres types de caches ou de bouchons pourrait provoquer une fuite de propane. ♦



FONCTIONNALITES D'ÉCLAIRAGE

L'ÉCLAIRAGE DE POIGNEE WEBER® GRILL OUT™

L'Éclairage de Poignée Weber Grill Out™ est équipé d'un "détecteur d'inclinaison." Si le bouton de mise en marche (1) est activé, la lumière s'allume lorsque le couvercle du grill est ouvert. La lumière s'éteint lorsque le couvercle est fermé. Pour une utilisation pendant la journée, désactivez le détecteur en appuyant sur le bouton de mise en marche (1). ♦

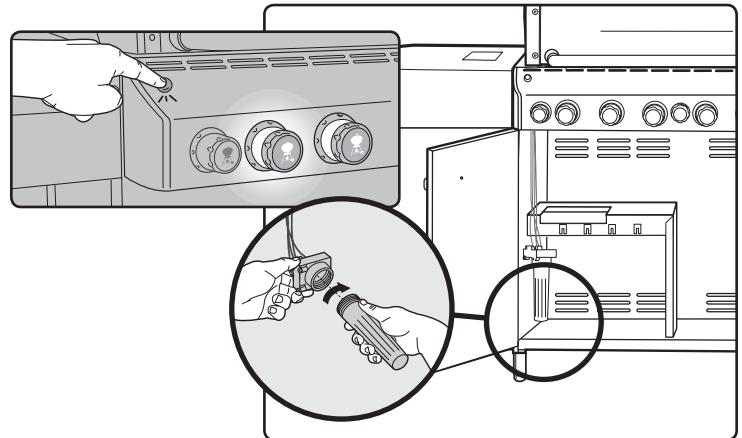


BOUTONS DE COMMANDES ÉCLAIRES

Votre grill à gaz est pourvu de boutons de commande qui s'allument ; ce qui vous permet de régler finement les paramètres de température, même en situation de faible éclairage.

Nécessite trois piles alcalines "D." Ne mélangez pas des piles usagées avec des piles neuves ou différents types de piles entre elles (ordinaires, alcalines, ou rechargeables). Le logement des piles se situe à l'intérieur du meuble du côté gauche.

Pour mettre en marche l'éclairage, appuyez sur le bouton de mise en marche. ♦



AVANT D'UTILISER LE GRILL

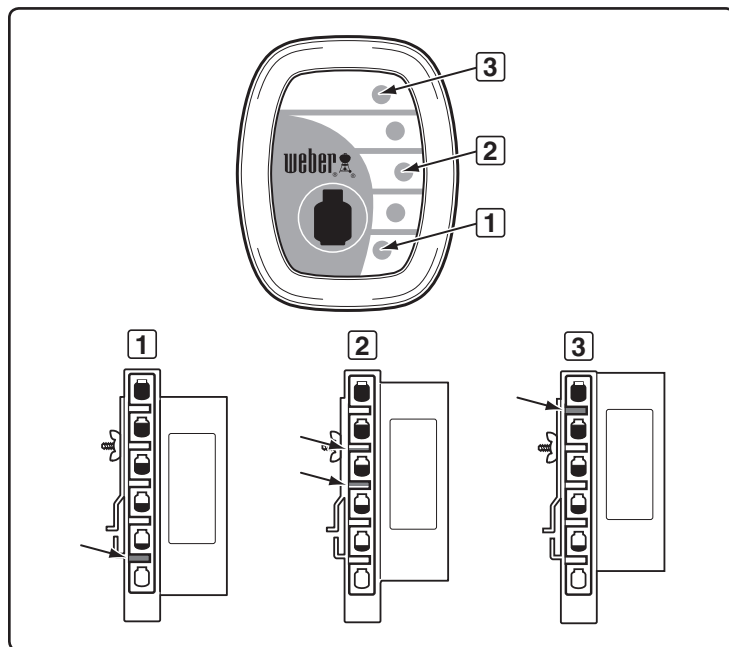
NIVEAU DE COMBUSTIBLE

Il existe deux manières de vérifier le niveau de combustible dans votre bouteille : électroniquement et manuellement.

Pour vérifier le niveau à l'aide de la graduation électronique de la bouteille, appuyez sur le bouton de graduation de la bouteille, situé à droite du panneau de commandes, pendant deux à trois secondes. La LED indique le niveau de combustible dans la bouteille.

Pour vérifier le niveau à l'aide de la graduation manuelle de la bouteille, regardez la ligne colorée d'indication de niveau, située sur le côté de la graduation de la bouteille.

- A) Vide (1)
- B) Moyen (2)
- C) Plein (3) ♦

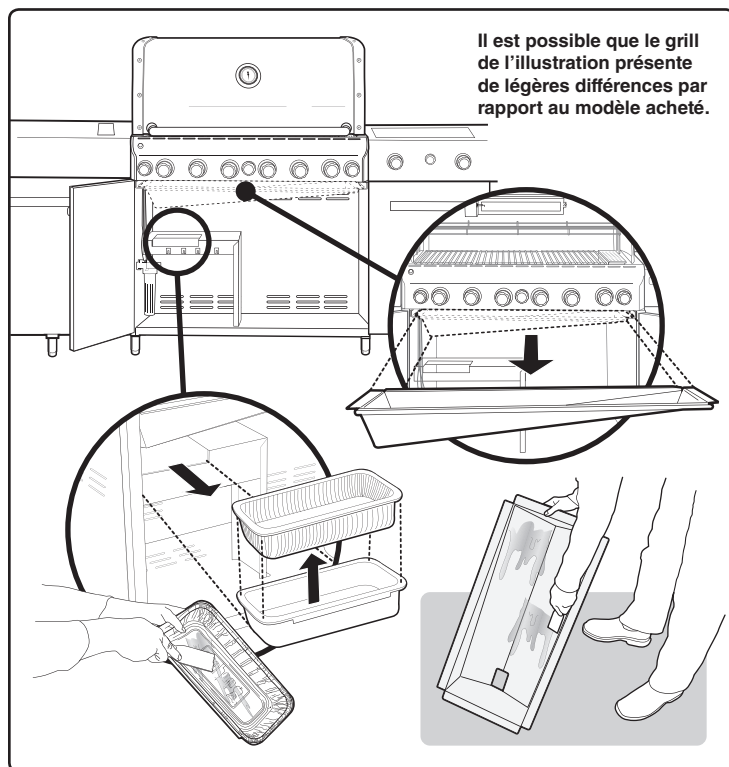


PLATEAU DE RECUPERATION DES GRAISSES AMOVIBLE ET EGOUTTOIR JETABLE

Votre grill a été fabriqué avec un dispositif de collecte des graisses intégré. Vérifiez le plateau de récupération des graisses amovible et l'égouttoir jetable afin de détecter la présence d'accumulations de graisses à chaque fois que vous utilisez votre grill.

Retirez l'excès de graisse à l'aide d'une spatule en plastique ; voir l'illustration. Lorsque cela s'avère nécessaire, lavez le plateau de récupération des graisses amovible et l'égouttoir jetable à l'aide d'une solution d'eau savonneuse, puis rincez-les à l'eau claire. Remplacez l'égouttoir jetable lorsque son remplacement est nécessaire.

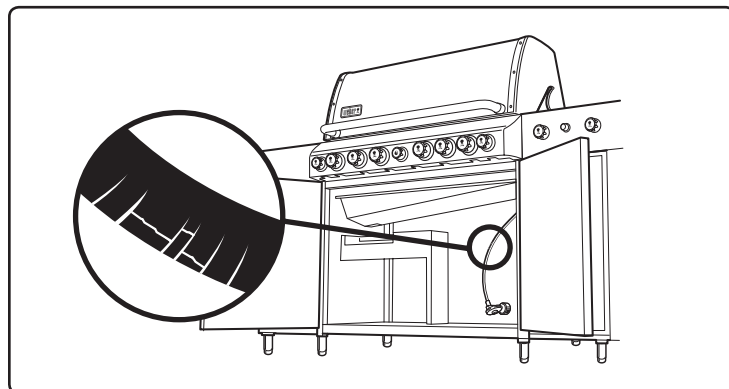
- ⚠ **MISE EN GARDE : Vérifiez si le plateau de récupération des graisses amovible et l'égouttoir jetable contiennent des accumulations de graisses avant chaque utilisation. Retirez les excès de graisse afin d'éviter un embrasement de ces graisses. Un embrasement des graisses risquerait de provoquer une blessure grave ou des dégâts matériels.**
- ⚠ **ATTENTION : Ne couvrez-pas le plateau de récupération des graisses amovible d'une feuille de papier aluminium. ♦**



INSPECTION DU TUYAU

Le tuyau devrait être inspecté afin de détecter tout signe de fissure.

- ⚠ **MISE EN GARDE : Vérifiez le tuyau avant chaque utilisation du barbecue afin de détecter toute égratignure, fissure, abrasion ou coupure. Si le tuyau s'avère détérioré de quelque manière que ce soit, n'utilisez pas le barbecue. Remplacez le tuyau en utilisant uniquement un tuyau de rechange agréé par Weber®. Contactez le représentant du Service clientèle de votre région à l'aide des coordonnées à votre disposition sur notre site Internet. Connectez-vous sur www.weber.com®. ♦**

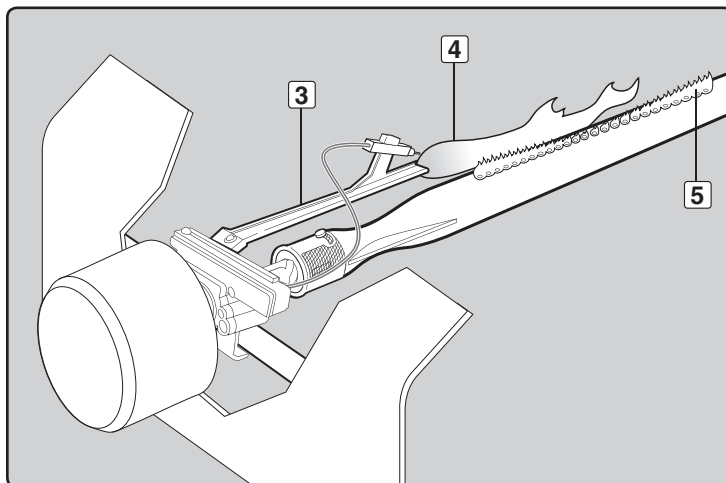
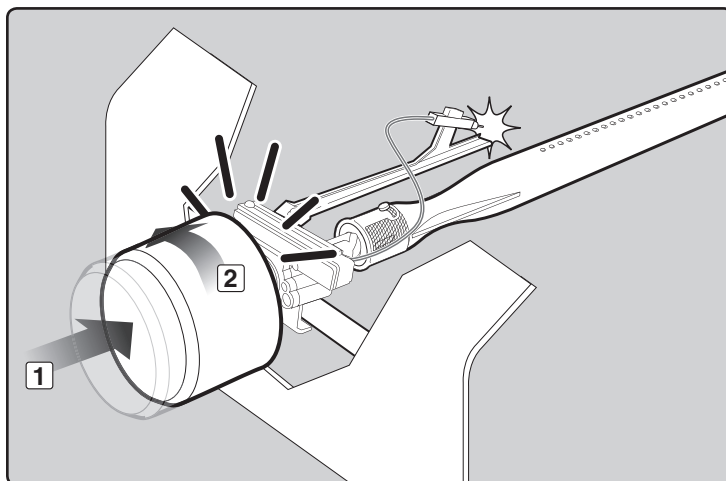


UTILISATION DE L'ALLUMAGE SNAP

⚠ Ouvrez toujours le couvercle avant d'allumer les brûleurs.

- A) Chaque bouton de commande est pourvu d'une électrode d'allumage intégrée. Pour créer une étincelle, vous devez enfoncer le bouton de commande (1) et le tourner vers MARCHE/ELEVE (2).
- B) Cette action génère une circulation de gaz et une étincelle en direction du tube d'allumage du brûleur (3). Vous entendez un déclic en provenance de l'allumeur. Vous voyez également une flamme orange de 3" à 5" sortir du tube d'allumage du brûleur du côté gauche du brûleur (4).
- C) **Maintenez le tube du brûleur enfoncé pendant deux secondes après le déclic.** Cela permet au gaz de circuler tout le long du tube du brûleur (5) et garantit l'allumage.
- D) Vérifiez que le brûleur est allumé en regardant à travers les grilles de cuisson. Vous devriez voir une flamme. Si le brûleur ne s'allume pas au premier essai, enfoncez le bouton de commande et positionnez-le sur ARRÊTÉ. Répétez la procédure d'allumage une seconde fois.

⚠ **MISE EN GARDE : Si le brûleur ne s'allume toujours pas, positionnez le bouton de commande du brûleur sur ARRÊTÉ puis patientez cinq minutes pour laisser le gaz se dissiper avant d'essayer à nouveau ou d'essayer d'allumer le brûleur avec une allumette.** ♦



ALLUMAGE & UTILISATION DU BRULEUR PRINCIPAL

ALLUMAGE DU BRULEUR PRINCIPAL

Vous trouverez des instructions d'allumage résumées à l'intérieur de la porte gauche du placard.

⚠ DANGER

Le fait de ne pas ouvrir le couvercle pendant l'allumage des brûleurs du barbecue, ou de ne pas patienter cinq minutes pour laisser le gaz se dissiper si le barbecue ne s'allumait pas, pourrait provoquer un embrasement explosif susceptible de provoquer une blessure grave ou la mort.

Allumage du Brûleur du Fumoir avec le Bouton

Remarque : Chaque allumeur à bouton de commande crée une étincelle à partir de l'électrode de l'allumeur en direction du tube d'allumage du brûleur. Vous générez l'énergie nécessaire à la création de l'étincelle en enfonçant le bouton de commande et en le tournant vers MARCHE/ELEVE. Ceci allume chaque brûleur individuel.

⚠ **MISE EN GARDE : Vérifiez le tuyau avant chaque utilisation du barbecue afin de détecter toute entaille, fissure, abrasion ou coupure. Si vous découvrez que le tuyau est détérioré de quelque manière que ce soit, n'utilisez pas le barbecue. Remplacez le tuyau en utilisant uniquement un tuyau de rechange agréé par Weber®. Veuillez entrer en contact avec le Représentant du Service clientèle le plus proche grâce aux coordonnées à votre disposition sur notre site Internet. Connectez-vous sur www.weber.com®.**

- A) Ouvrez le couvercle (1).
- B) Assurez-vous que tous les boutons de commande du brûleur sont fermés (2). (Enfoncez le bouton de commande et tournez-le dans le sens des aiguilles d'une montre pour vous assurer qu'il est positionné sur ARRÊTÉ.)

⚠ **MISE EN GARDE : Les boutons de commande du brûleur doivent être positionnés sur ARRÊTÉ avant que vous ouvriez la valve du réservoir de la bouteille de propane liquide. S'ils ne sont pas positionnés sur ARRÊTÉ, lorsque vous ouvrez la valve de la bouteille de PL, la fonction de "contrôle du débit de gaz en excès" s'active, limitant ainsi le débit de gaz en provenance de la bouteille de PL. Si cela se produisait, fermez la valve de la bouteille de PL et les boutons de commande du brûleur. Ensuite, recommencez.**

⚠ DANGER

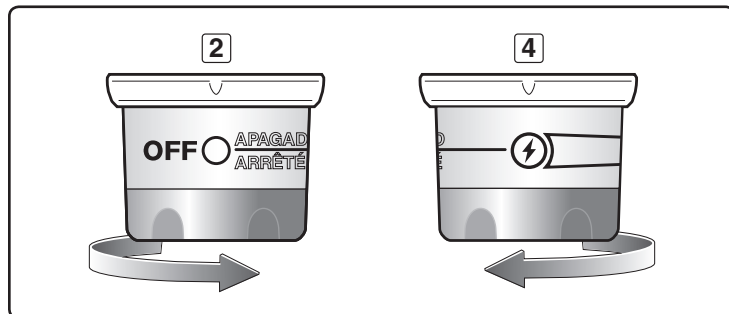
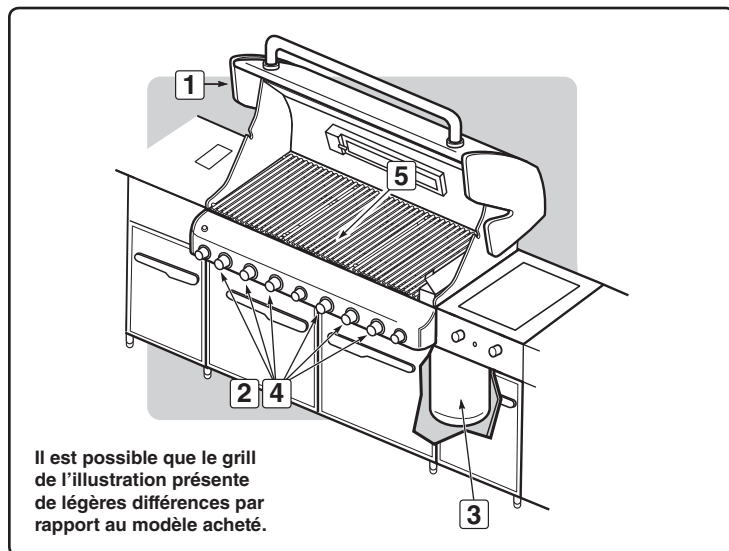
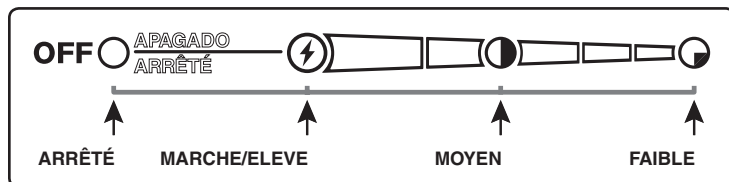
Lorsque la fonction de "contrôle du débit de gaz en excès" est activée, une petite quantité de gaz circule toujours en direction des brûleurs. Une fois que vous avez fermé les boutons de la bouteille de gaz, patientez au moins cinq minutes pour laisser le gaz se dissiper avant d'essayer d'allumer le barbecue. Le non respect de cette mesure de sécurité pourrait entraîner un embrasement explosif susceptible de provoquer une blessure grave ou la mort.

- C) Ouvrez la bouteille de gaz en tournant la valve de la bouteille de gaz dans le sens inverse des aiguilles d'une montre (3).

⚠ **MISE EN GARDE : Ne vous penchez pas au-dessus du barbecue ouvert.**

- D) Enfoncez le bouton de commande et tournez-le vers MARCHE/ELEVE jusqu'à ce que vous entendiez le déclic de l'allumeur (4); maintenez le bouton de commande enfoncé pendant deux secondes. Cette action envoie une étincelle vers l'allumeur, le tube d'allumage du brûleur, puis le brûleur principal.
- E) Vérifiez que le brûleur est allumé en regardant à travers les grilles de cuisson (5). Vous devriez voir une flamme. Si le brûleur ne s'allume pas au premier essai, enfoncez le bouton de commande et positionnez-le sur ARRÊTÉ. Répétez la procédure d'allumage une seconde fois.

⚠ **MISE EN GARDE : Si le brûleur ne s'allume toujours pas, tournez le bouton de commande du brûleur et positionnez-le sur ARRÊTÉ puis patientez cinq minutes pour laisser le gaz se dissiper avant d'essayer à nouveau ou essayez de l'allumer avec une allumette. ♦**



POUR ETEINDRE

Enfoncez et tournez chaque bouton de commande du brûleur dans le sens des aiguilles d'une montre vers la position ARRÊTÉ. Fermez l'arrivée de gaz à la source. ♦

ALLUMAGE & UTILISATION DU BRULEUR PRINCIPAL

ALLUMAGE MANUEL DU BRULEUR PRINCIPAL

⚠ DANGER

Le fait de ne pas ouvrir le couvercle lorsque vous allumez les brûleurs du barbecue, ou de ne pas patienter cinq minutes pour laisser le gaz se dissiper si le barbecue ne s'allumait pas, pourrait provoquer un embrasement explosif susceptible de provoquer une blessure grave ou la mort.

- A) Ouvrez le couvercle (1).
- B) Assurez-vous que tous les boutons de commande du brûleur sont fermés (2). (Enfoncez chaque bouton et tournez-le dans le sens des aiguilles d'une montre pour vous assurer qu'il est positionné sur ARRÊTÉ.)

⚠ **MISE EN GARDE** : Les boutons de commande du brûleur doivent être positionnés sur ARRÊTÉ avant que vous ouvriez la valve de la bouteille de propane liquide. S'ils ne sont pas positionnés sur ARRÊTÉ, lorsque vous ouvrez la valve de la bouteille de PL, la fonction de "contrôle du débit de gaz excessif" s'active, limitant ainsi le débit de gaz en provenance de la bouteille de PL. Si cela se produisait, fermez la valve de la bouteille de PL et les boutons de commande du brûleur. Ensuite, recommencez.

⚠ DANGER

Lorsque la fonction de "contrôle du débit de gaz en excès" est activée, une petite quantité de gaz circule toujours vers les brûleurs. Une fois que vous avez fermé la bouteille de gaz et les boutons de commande du brûleur, patientez au moins cinq minutes pour laisser le gaz se dissiper avant de tenter d'allumer le barbecue. Le non respect de cette mesure de sécurité risque d'entraîner un embrasement explosif susceptible de provoquer une blessure grave ou la mort.

- C) Ouvrez la bouteille de gaz en tournant la valve de la bouteille dans le sens inverse des aiguilles d'une montre (3).
- D) Placez l'allumette dans le porte-allumettes puis frottez-la.

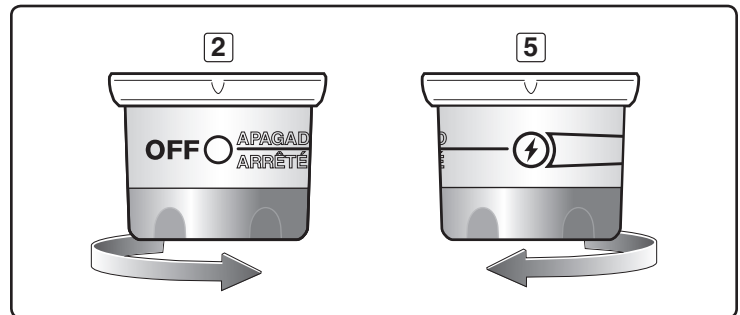
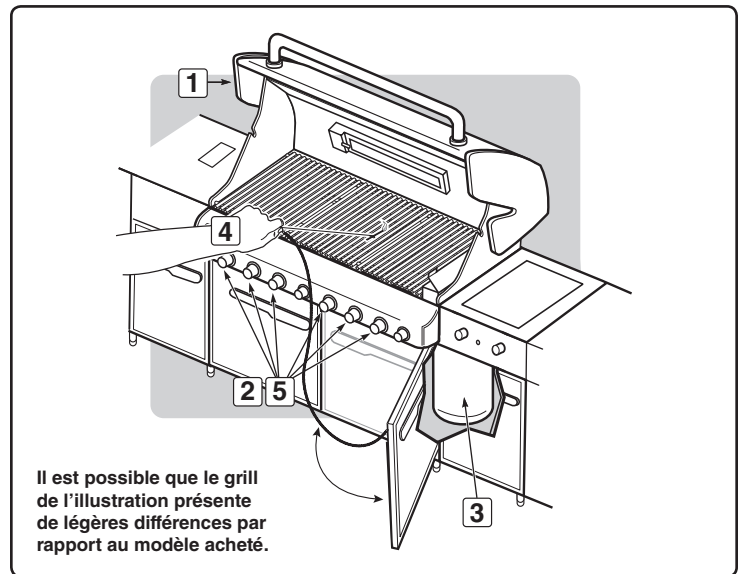
⚠ **MISE EN GARDE** : Ne vous penchez pas au-dessus du barbecue ouvert.

- E) Insérez le porte-allumettes et allumez le brûleur sélectionné à travers les grilles de cuisson et les barres Flavorizer® (4).
- F) Enfoncez le bouton de commande et tournez-le vers MARCHE/ELEVE (5).
- G) Vérifiez que le brûleur est allumé en regardant à travers les grilles de cuisson (6). Vous devriez voir une flamme.

⚠ **MISE EN GARDE** : Si le brûleur ne s'allume pas, tournez le bouton de commande du brûleur pour le positionner sur ARRÊTÉ puis patientez cinq minutes pour laisser le gaz se dissiper avant d'essayer à nouveau. ♦

POUR ETEINDRE

Enfoncez et tournez chaque bouton de commande du brûleur dans le sens des aiguilles d'une montre pour le positionner sur ARRÊTÉ. Fermez l'arrivée de gaz à la source. ♦

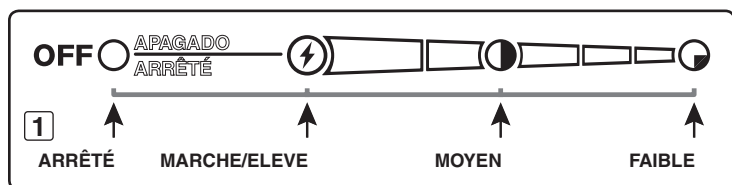


ASTUCES & CONSEILS POUR LA GRILLADE

- Préchauffez toujours le grill avant la cuisson. Réglez tous les brûleurs sur ELEVE puis fermez le couvercle; laissez chauffer pendant 10 minutes, ou jusqu'à ce que le thermomètre atteigne 500° – 550°F (260° – 288°C).
- Grillez les viandes et cuisinez avec le couvercle fermé pour des aliments grillés à la perfection à chaque fois.
- Les durées de grillade des recettes sont fournies pour une température extérieure de 70°F (20°C) avec peu ou pas de vent. Laissez les aliments cuire plus longtemps s'il fait froid ou s'il y a du vent, ou en altitude. Diminuez la durée de cuisson si le temps est extrêmement chaud.
- Les durées de grillade sont susceptibles de varier en fonction des conditions météorologiques, ou de la quantité, de la taille, et de la forme des aliments à griller.
- Il est possible que la température de votre grill à gaz atteigne un niveau plus élevé que la normale lors des premières utilisations.
- Les conditions de grillade peuvent nécessiter une adaptation des commandes du brûleur pour atteindre les températures de cuisson correctes.
- En général, les gros morceaux de viande nécessitent une durée de cuisson plus longue par livre que les petits morceaux de viande. Des aliments placés sur une grille de cuisson surchargée devront cuire plus longtemps qu'une petite quantité d'aliments. Les aliments grillés dans des récipients comme les haricots, nécessiteront une durée de cuisson plus longue s'ils sont grillés dans une casserole profonde que s'ils sont cuits dans un plat peu profond.
- Retirez le surplus de matière grasse des steaks, des côtes, et des rôtis en ne laissant pas plus d'1/4 pouce (6.4 mm) de matière grasse. Le fait qu'il y ait moins de matière grasse facilite le nettoyage, et constitue quasiment une garantie contre les embrasements indésirables.
- Les aliments placés directement sur la grille de cuisson au-dessus des brûleurs peuvent avoir besoin d'être retournés ou d'être déplacés vers une zone moins chaude.
- Utilisez des pinces plutôt que des fourchettes pour retourner et manipuler la viande afin d'éviter toute perte de jus de viande. Utilisez deux spatules pour manipuler les gros poissons entiers.
- En cas d'embrasement indésirable, fermez tous les brûleurs et déplacez les aliments vers une autre zone de la grille de cuisson. Toute flamme se résorbera rapidement. Une fois que les flammes se sont éteintes, rallumez le grill. N'UTILISEZ JAMAIS D'EAU POUR ETEINDRE LES FLAMMES SUR UN GRILL A GAZ.
- La cuisson de certains aliments, comme les ragoûts ou les filets de poisson fins, nécessite un récipient. Les plats en aluminium jetables sont très pratiques mais vous pouvez utiliser n'importe quel plat métallique avec des poignées utilisables au four.
- Assurez-vous toujours que le plateau de récupération des graisses amovible et l'égouttoir sont propres et ne contiennent aucun résidu.
- Ne recouvrez pas le plateau de récupération des graisses amovible avec du papier aluminium. Ceci pourrait empêcher la graisse de s'écouler vers l'égouttoir.
- L'utilisation d'un minuteur vous aidera à savoir lorsque la viande "bien cuite" est sur le point de devenir "trop cuite." ♦

PRÉCHAUFFAGE

Votre barbecue à gaz Weber® est un appareil qui utilise l'énergie de manière efficace. En fonctionnement, son évaluation BTU est faible et économique. Il est important de préchauffer votre grill avant de l'utiliser. Allumez votre grill en respectant les instructions du présent Manuel de l'utilisateur. Pour le préchauffage : après l'allumage, positionnez tous les brûleurs sur MARCHE/ELEVE, fermez le couvercle, et laissez chauffer jusqu'à ce que la température atteigne un niveau situé entre 500° et 550° F (260° et 290° C), la température de cuisson recommandée. Ceci prendra 10 à 15 minutes en fonction de conditions comme la température de l'air et le vent.



Vous pouvez ajuster les brûleurs individuels selon ce que vous souhaitez. Les réglages des commandes sont MARCHE/ELEVE, MOYEN, FAIBLE, ou ARRÊTÉ (1).

Remarque : Au cours des premières utilisations de votre grill, il est possible que la température à l'intérieur du boîtier de cuisson soit plus élevée que ce qui est indiqué dans votre livre de cuisine parce que les surfaces du boîtier de cuisson sont encore réfléchissantes. Les conditions de cuisson, comme le vent et les conditions climatiques, peuvent nécessiter l'ajustement des commandes du brûleur afin d'obtenir les températures de cuisson correctes.

Remarque : Si le grill perd de la chaleur pendant la cuisson, veuillez consulter la section intitulée Résolution des problèmes de ce manuel.

⚠ MISE EN GARDE : Ne déplacez pas le barbecue à gaz Weber® en cours d'utilisation ou lorsque celui-ci est très chaud.

Si les brûleurs s'éteignent pendant la cuisson, éteignez tous les brûleurs puis patientez cinq minutes avant de les allumer à nouveau. ♦

CUISSON COUVERTE

La totalité de la grillade s'effectue avec le couvercle fermé afin d'apporter une chaleur uniforme qui circule de façon homogène. Avec le couvercle fermé, le grill à gaz cuit d'une manière très semblable à un four à convection. Le thermomètre dans le couvercle indique la température de cuisson à l'intérieur du grill. La totalité du préchauffage et de la grillade s'effectue avec le couvercle fermé. N'ouvrez pas pour regarder — vous perdez de la chaleur à chaque fois que vous soulevez le couvercle. ♦

ÉCOULEMENTS DE JUS ET DE GRAISSES

Les barres Flavorizer® sont conçues pour "fumer" la quantité correcte de jus pour une cuisson savoureuse. Les excédents de jus et de graisses vont s'accumuler dans l'égouttoir au-dessous du plateau de récupération des graisses amovible. Des égouttoirs jetables en aluminium sont disponibles ; ils s'adaptent parfaitement à l'égouttoir.

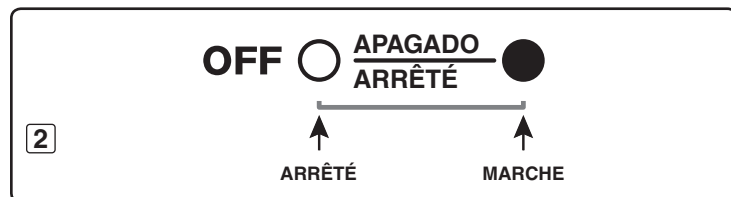
⚠ MISE EN GARDE : Vérifiez le plateau de récupération des graisses amovible ainsi que l'égouttoir afin de détecter toute accumulation de graisse avant chaque utilisation. Retirez tout excès de matière grasse afin d'éviter un embrasement de graisse à l'intérieur du plateau de récupération des graisses amovible. ♦

SYSTÈME FLAVORIZER®

Lorsque les jus de viandes s'écoulent des aliments vers les barres Flavorizer® disposées selon un angle particulier, elles créent de la fumée qui donne aux aliments une saveur de barbecue irrésistible. Grâce à la conception unique des brûleurs, des barres Flavorizer® et aux commandes de température souples, les embrasements incontrôlés sont presque éliminés, parce que VOUS contrôlez les flammes. En raison du design particulier des barres Flavorizer® et des brûleurs, les graisses en excès sont orientées vers le plateau de récupération des graisses amovible puis dans l'égouttoir. ♦

SEAR STATION®

Votre grill à gaz Weber® comprend peut-être un brûleur qui permet de saisir les viandes et le poisson. Le brûleur Sear Station® propose les réglages OFF, START/HI, ou LOW (2) et ces réglages fonctionnent avec les deux brûleurs principaux adjacents. Avec le brûleur sear et les brûleurs adjacents vous pouvez saisir efficacement les viandes tout en utilisant les autres zones de cuisson pour cuire à température modérée (voir la section "ALLUMAGE & UTILISATION DU BRULEUR SEAR STATION®"). ♦



METHODES DE CUISSON

La chose la plus importante à connaître à propos des grillades est le choix de la méthode de cuisson à utiliser pour un aliment particulier, la méthode directe ou indirecte. La différence est simple : placez les aliments directement au-dessus du feu, ou organisez le feu de part et d'autre des aliments. L'utilisation de la bonne méthode constitue le moyen le plus court pour obtenir des résultats formidables et la meilleure façon de garantir une bonne cuisson en toute sécurité. ♦

CUISSON DIRECTE

La méthode directe, semblable au réchauffage, signifie que les aliments sont cuits directement au-dessus de la source de chaleur. Pour une cuisson homogène, les aliments devraient être retournés une fois au milieu du temps de cuisson. Utilisez la méthode directe pour les aliments dont la cuisson dure moins de 25 minutes : les steaks, les côtes, les kebabs, les saucisses, les légumes, etc.

La cuisson directe est également nécessaire pour saisir les viandes. Le fait de saisir les viandes crée cette merveilleuse texture craquante, caramélisée à l'endroit où les aliments sont en contact avec la grille. Cela donne également une couleur et une saveur agréables à toute la surface. Les steaks, les côtes, les filets de poulet, et les gros morceaux de viande bénéficient tous de ce mode de cuisson.

Pour saisir les viandes, placez-les au-dessus de la source de forte chaleur directe pendant deux à cinq minutes de chaque côté. Les petits morceaux ont besoin de moins de temps de cuisson. Habituellement, une fois que vous avez saisi les aliments, vous finissez leur cuisson à une température inférieure. Vous pouvez terminer la cuisson des aliments à cuisson rapide en utilisant la méthode directe; utilisez la méthode indirecte pour les aliments à cuisson lente.

Pour paramétrer votre grill à gaz pour la cuisson directe, préchauffez le grill en réglant tous les brûleurs sur ELEVÉ. Placez les aliments sur la grille de cuisson, puis réglez tous les brûleurs à la température indiquée dans la recette. Fermez le couvercle du grill et soulevez-le uniquement pour retourner les aliments ou pour contrôler l'état de la cuisson au terme de la durée de cuisson recommandée. ♦

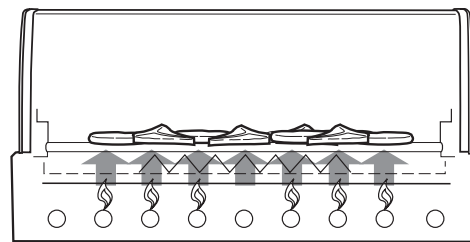
CUISSON INDIRECTE

La méthode indirecte est semblable au rôti mais avec en plus les bénéfices de cette texture grillée, de cette saveur et de cet aspect que vous ne pouvez pas obtenir au four. Pour préparer le grill pour la cuisson indirecte, les brûleurs à gaz sont allumés de chaque côté des aliments mais pas directement au-dessous d'eux. La température augmente, la chaleur est réfléchiée par le couvercle et les surfaces internes du grill, et circule pour cuire lentement les aliments de façon homogène de tous les côtés, d'une manière très semblable à ce qui se passe dans un four à convection, alors vous n'avez pas besoin de retourner les aliments.

Utilisez la méthode indirecte pour les aliments nécessitant une durée de grillade de 25 minutes ou plus ou qui sont si délicats qu'une exposition directe à la flamme les dessècherait ou les ferait roussir. Les exemples sont notamment les rôtis, les petites côtes, les poulets entiers, les dindes, et les autres gros morceaux de viande, ainsi que les filets de poisson délicats.

Pour régler votre grill à gaz pour la cuisson indirecte, préchauffez le grill avec tous les brûleurs sur ELEVÉ. Ajustez ensuite les brûleurs de chaque côté des aliments pour atteindre la température indiquée dans la recette puis fermez le(s) brûleur(s) situé(s) directement au-dessous des aliments. Pour un résultat optimal, placez les rôtis, la volaille ou les gros morceaux de viande sur une grille à rôtir à l'intérieur d'un plat en aluminium rigide jetable. Pour des durées de cuisson plus longues, ajoutez de l'eau dans le plat en aluminium pour empêcher le jus de viande de brûler. Vous pouvez utiliser le jus de viande pour faire de la gravy ou des sauces. ♦

6 BRÛLEURS

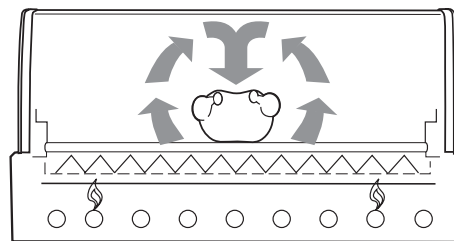


1 2 3 4 5 6
H H H H H H

CUISSON DIRECTE

La nourriture se place sur les grilles de cuisson juste au-dessus des brûleurs.

6 BRÛLEURS



1 2 3 4 5 6
M M

CUISSON INDIRECTE

La nourriture se place sur les grilles de cuisson entre les brûleurs.

ALLUMAGE & UTILISATION DU BRULEUR LATÉRAL

ALLUMAGE DU BRULEUR LATÉRAL

Des instructions résumées pour l'allumage se trouvent à l'intérieur de la porte du meuble de gauche.

⚠ DANGER

Le fait de ne pas ouvrir le couvercle pendant l'allumage du brûleur latéral, ou de ne pas patienter cinq minutes pour laisser le gaz se dissiper si le brûleur latéral ne s'allume pas, peut avoir pour conséquence un embrasement explosif susceptible d'entraîner des blessures graves voire un décès.

- ⚠ **MISE EN GARDE** : Vérifiez le tuyau avant chaque utilisation du barbecue afin de détecter les entailles, les fissures, les abrasions ou les coupures. Si le tuyau s'avère détérioré de quelque manière, n'utilisez pas le barbecue. Remplacez le tuyau en utilisant uniquement un tuyau de rechange agréé par Weber®. Veuillez contacter le Représentant du service clientèle de votre région à l'aide des coordonnées à votre disposition sur notre site Internet.

Connectez-vous sur www.weber.com®.

Remarque : Le brûleur latéral est pourvu d'un brûleur interne (1) et d'un brûleur externe (2). Vous devez allumer le brûleur interne en premier à l'aide du bouton de l'allumeur. Le brûleur externe s'allume à partir de la flamme du brûleur interne. Suivez les instructions ci-dessous pour allumer les brûleurs dans la séquence correcte.

- A) Retirez le couvercle du brûleur latéral en enfonçant légèrement l'extrémité avant tout en soulevant à partir de l'extrémité arrière (1). (Rangez le couvercle du brûleur latéral dans le meuble de votre grill.)
- ⚠ **ATTENTION** : N'utilisez pas le couvercle en tant que surface de cuisson ou en tant que surface de découpe.
- B) enfoncez chacun des boutons de commande du brûleur latéral puis tournez dans le sens des aiguilles d'une montre afin de garantir que les valves du brûleur latéral se trouvent en position OFF (2). Tournez tous les brûleurs qui ne sont pas utilisés vers la position OFF (enfoncez et tournez dans le sens des aiguilles d'une montre).
- C) Ouvrez la valve d'arrivée de gaz (3).

Allumer le brûleur interne

- A) Enfoncez et tournez le bouton de commande du brûleur latéral (1) vers START/Hi (4).

- ⚠ **MISE EN GARDE** : Ne démarrez pas le brûleur interne (1) et le brûleur externe (2) en même temps. Ceci pourrait avoir pour conséquence un embrasement de flammes ou une explosion provoquant des blessures graves voire un décès ainsi que des dégâts matériels.

- B) Enfoncez le bouton d'allumage (5). Vous allez entendre des dé clics.

- ⚠ **ATTENTION** : La flamme du brûleur latéral peut être difficile à voir par une journée ensoleillée.

- ⚠ **MISE EN GARDE** : Si le brûleur latéral ne s'allume pas en cinq secondes :

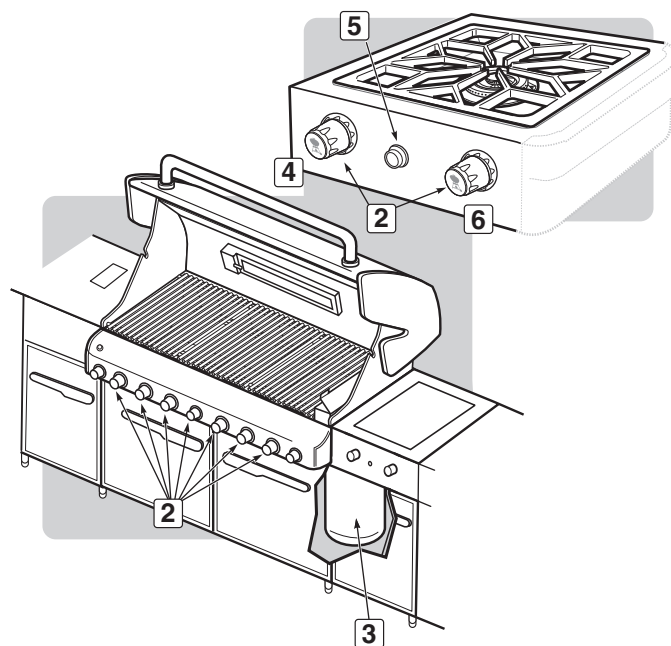
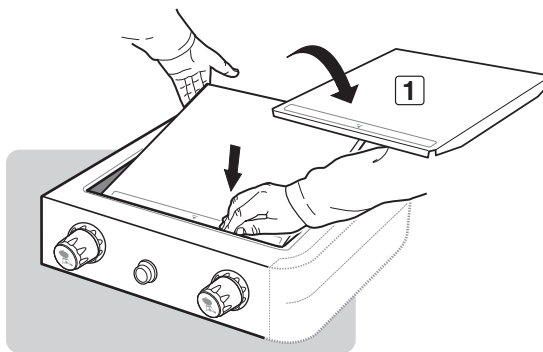
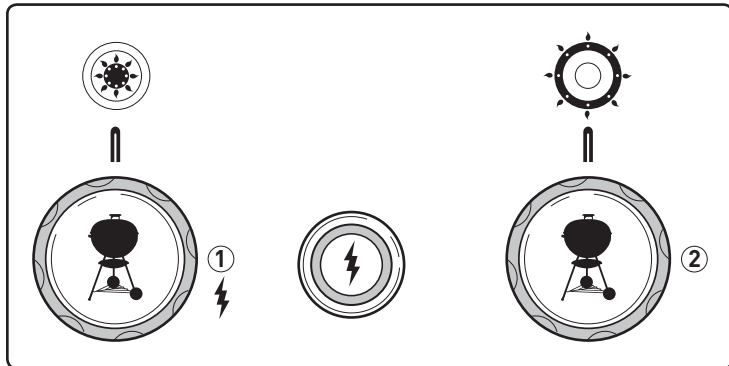
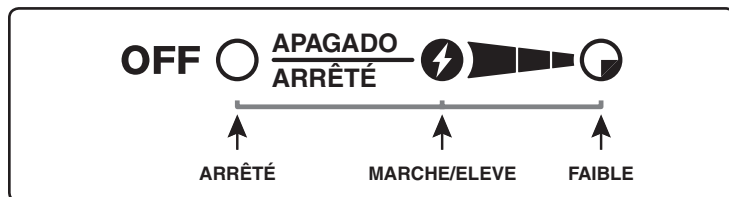
- Fermez la valve de commande du brûleur latéral, les brûleurs principaux ainsi que l'arrivée de gaz à la source.
- Patiencez cinq minutes pour laisser le gaz se dissiper avant d'essayer à nouveau, ou essayez l'allumage avec une allumette (voir "ALLUMAGE MANUEL DU BRULEUR LATÉRAL").

Allumer le brûleur externe

- A) Une fois que le brûleur interne est allumé, enfoncez et tournez le bouton de commande du brûleur latéral (2) vers START/Hi (6).
- B) Ajustez pour la cuisson. ♦

POUR ÉTEINDRE

Enfoncez et tournez les boutons de commande du brûleur latéral vers la position OFF. Assurez-vous que le brûleur est éteint et refroidi avant de refermer le couvercle du brûleur latéral. ♦



ALLUMAGE & UTILISATION DU BRULEUR LATÉRAL

ALLUMAGE MANUEL DU BRULEUR LATÉRAL

Des instructions résumées pour l'allumage se trouvent à l'intérieur de la porte du meuble de gauche.

⚠ DANGER

Le fait de ne pas ouvrir le couvercle pendant l'allumage du brûleur latéral, ou de ne pas patienter cinq minutes pour laisser le gaz se dissiper si le brûleur latéral ne s'allume pas, peut avoir pour conséquence un embrasement explosif susceptible d'entraîner des blessures graves voire un décès.

⚠ **MISE EN GARDE : Vérifiez le tuyau avant chaque utilisation du barbecue afin de détecter toutes entailles, fissures, abrasions ou coupures. Si le tuyau s'avère détérioré de quelque manière, n'utilisez pas le barbecue. Remplacez le tuyau uniquement à l'aide d'un tuyau de rechange agréé par Weber®. Contactez le Représentant du service clientèle de votre région à l'aide des coordonnées à votre disposition sur notre site Internet.**

Connectez-vous sur www.weber.com.

Remarque : Le brûleur latéral est pourvu d'un brûleur interne (1) et d'un brûleur externe (2). Vous devez allumer le brûleur interne en premier en utilisant le bouton de l'allumeur. Le brûleur externe s'allume à partir de la flamme du brûleur interne. Suivez les instructions ci-dessous pour allumer les brûleurs dans la séquence correcte.

A) Retirez le couvercle du brûleur latéral en enfonceant légèrement l'extrémité avant tout en soulevant depuis l'extrémité arrière (1). (Rangez le couvercle du brûleur latéral dans le meuble de votre grill.)

⚠ **ATTENTION : N'utilisez pas le grill comme surface de cuisson ou comme surface de découpe.**

B) Enfoncez chacun des boutons de commande du brûleur latéral puis tournez dans le sens des aiguilles d'une montre pour vous assurer que les valves du brûleur latéral sont positionnées sur OFF (2). Tournez tous les brûleurs qui ne sont pas utilisés vers la position OFF (enfoncez et tournez dans le sens des aiguilles d'une montre).

C) Ouvrez la valve d'arrivée de gaz (3).

Allumer le brûleur interne

A) Placez une allumette dans le porte-allumette et frottez-la.

B) Tenez le porte-allumette et l'allumette allumée de chaque côté du brûleur latéral (4).

C) Enfoncez et tournez le bouton de commande du brûleur latéral (1) vers START/HI (5).

⚠ **MISE EN GARDE : Ne démarrez pas le brûleur interne (1) et le brûleur externe (2) en même temps. Ceci pourrait avoir pour conséquence un embrasement de flammes ou une explosion entraînant des blessures graves voire un décès ainsi que des dégâts matériels.**

⚠ **ATTENTION : La flamme du brûleur latéral peut être difficile à voir par une journée ensoleillée.**

⚠ **MISE EN GARDE : Si le brûleur latéral ne s'allume pas en cinq secondes :**

a) Fermez la valve de commande du brûleur latéral, les brûleurs principaux ainsi que l'arrivée de gaz à la source.

b) Patientez cinq minutes pour laisser le gaz se dissiper avant d'essayer à nouveau, ou essayez l'allumage avec une allumette (voir "ALLUMAGE MANUEL DU BRULEUR LATÉRAL").

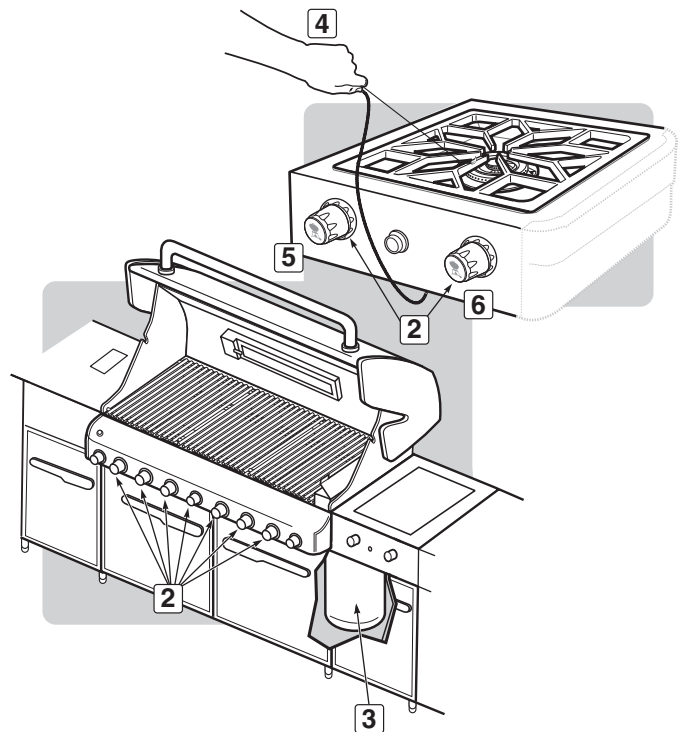
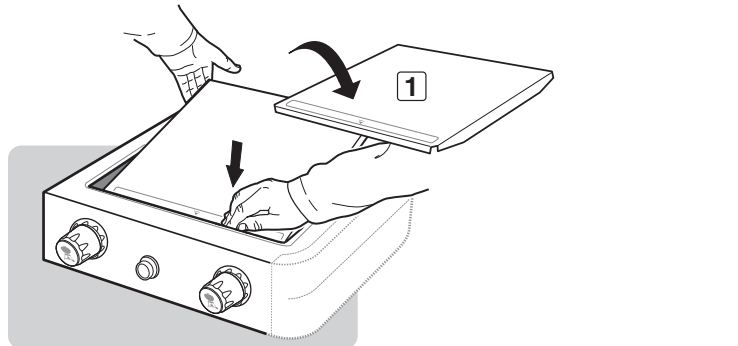
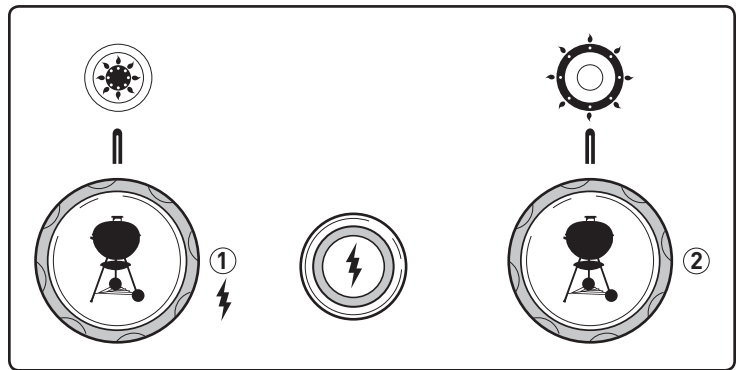
Allumer le brûleur externe

A) une fois que le brûleur interne est allumé, enfoncez et tournez le bouton de commande du brûleur latéral (2) vers START/HI (6).

B) Ajustez pour la cuisson. ♦

POUR ÉTEINDRE

Enfoncez et tournez le bouton de commande du brûleur latéral vers la position OFF. Assurez-vous que le brûleur est éteint et refroidi avant de refermer le couvercle du brûleur latéral. ♦



ALLUMAGE & UTILISATION DU BRULEUR LATÉRAL

UTILISATION DU BRULEUR LATÉRAL

Le brûleur latéral est pourvu de deux bagues de brûleur pour contrôler la température de cuisson. Le brûleur ①, le brûleur interne, cuit avec une petite flamme et il fonctionne mieux avec les petites casseroles et les poêlons de petite taille. Le brûleur ②, le brûleur externe, cuit avec une grande flamme et il fonctionne mieux avec de grandes casseroles, des marmites, des poêlons et des woks de grande taille. Pour une chaleur plus intense, vous pouvez utiliser les deux brûleurs en même temps.

Cuisson au wok

Le brûleur latéral est également pourvu d'une bague pour wok pour la cuisson au wok.

⚠ **IMPORTANT : Ne placez pas un wok directement sur le brûleur latéral. Seul l'accessoire Weber® pour wok devrait être utilisé lorsque vous cuisinez sur la bague pour wok fournie.**

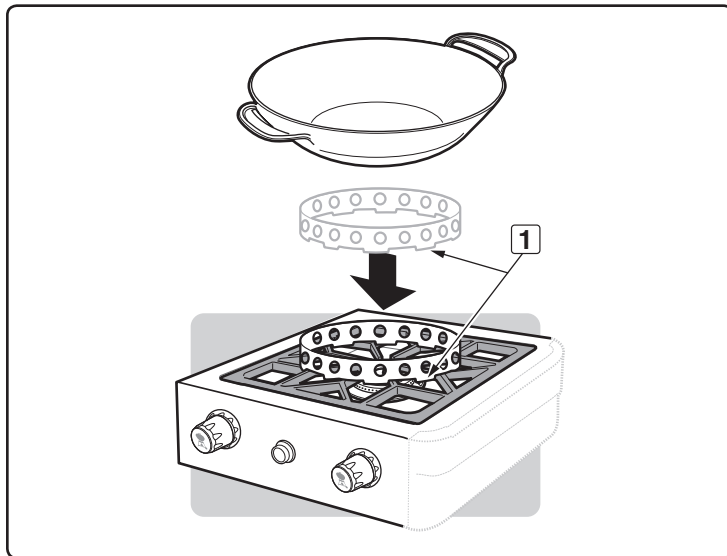
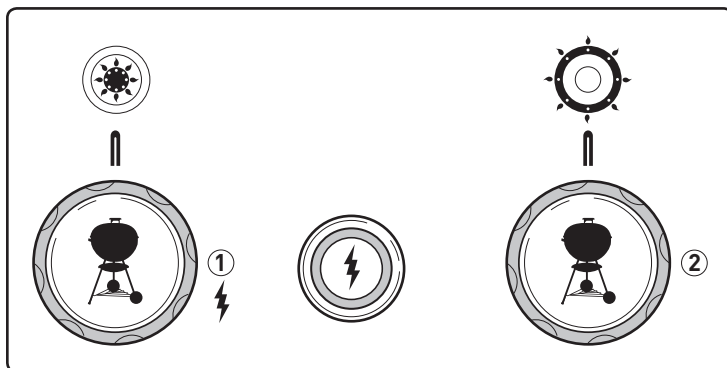
A) Placez la bague pour wok en position sur la grille du brûleur latéral, en vous assurant que les languettes d'emplacement sur la bague s'encastrent à l'intérieur des encoches de la grille (1). La bague devrait reposer à plat.

Lorsqu'elle est inutilisée, la bague peut être rangée dans le meuble du grill.

⚠ **MISE EN GARDE : Utilisez uniquement une petite quantité d'huile de cuisson lorsque vous utilisez le wok pour faire sauter à feu vif des aliments en les remuant. Une quantité d'huile et une température excessives peuvent provoquer un incendie susceptible de provoquer une blessure grave ou un décès ainsi que des dégâts matériels.**

⚠ DANGER

N'utilisez pas le brûleur latéral pour faire frire des aliments avec des huiles de cuisson. L'huile de cuisson peut atteindre un point d'éclair entraînant un incendie qui aura pour conséquence des blessures graves voire un décès ainsi que des dégâts matériels. ♦



ALLUMAGE & UTILISATION DE LA SEAR STATION®

ALLUMAGE DU BRULEUR SEAR STATION®

Vous trouverez des instructions d'allumage résumées à l'intérieur de la porte gauche du meuble.

⚠ DANGER

Le fait de ne pas ouvrir le couvercle pendant l'allumage des brûleurs du barbecue, ou de ne pas patienter cinq minutes pour laisser le gaz se dissiper si le barbecue ne s'allumait pas, peut provoquer un embrasement explosif susceptible d'entraîner une blessure grave ou un décès.

Le brûleur Sear Station® est pourvu d'une commande de mise marche/arrêt. Pour allumer le brûleur Sear Station®, vous devez d'abord allumer les deux brûleurs principaux adjacents.

Allumage Automatique des Brûleurs Principaux Adjacents

Remarque : Chacun des allumeurs automatiques des boutons de commande des brûleurs produit une étincelle à partir de l'électrode de l'allumeur vers le tube d'allumage du brûleur. C'est vous qui générez l'énergie nécessaire à la production de l'étincelle en enfonçant le bouton de commande et en le positionnant sur MARCHE/ELEVE. Ceci allume chaque brûleur individuel.

⚠ **MISE EN GARDE : Inspectez le tuyau avant toute utilisation du barbecue afin de détecter toute trace d'entaille, de fissure, d'abrasions ou de coupures. Si le tuyau se révèle détérioré de quelque manière que ce soit, n'utilisez pas le barbecue. Remplacez le tuyau en utilisant uniquement un tuyau de rechange homologué par Weber®. Contactez le Représentant du Service clientèle le plus proche grâce aux coordonnées à votre disposition sur notre site Internet. Connectez-vous sur www.weber.com®.**

A) Ouvrez le couvercle (1).
B) Assurez-vous que tous les boutons de commande du brûleur sont positionnés sur ARRÊTÉ (2). (Enfoncez le bouton de commande et tournez-le dans le sens des aiguilles d'une montre pour vous assurer qu'il est positionné sur ARRÊTÉ.)

⚠ **MISE EN GARDE : Les boutons de commande du brûleur doivent être positionnés sur ARRÊTÉ avant d'ouvrir la valve de la bouteille de propane liquide. S'ils ne sont pas positionnés sur ARRÊTÉ, lorsque vous ouvrirez la valve de la bouteille de PL la fonction de "contrôle du débit de gaz en excès" va s'activer et limiter le débit du gaz en provenance de la bouteille de PL. Si cela se produisait, fermez la valve de la bouteille de PL et positionnez les boutons de commande du brûleur sur ARRÊTÉ. Ensuite, recommencez.**

⚠ DANGER

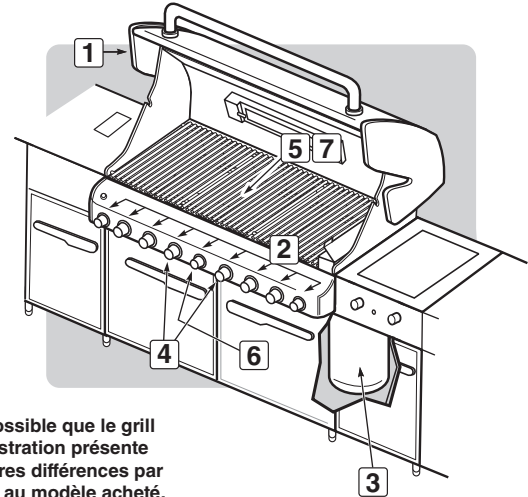
Lorsque la fonction de "contrôle du débit de gaz en excès" est activée, une petite quantité de gaz circule toujours en direction des brûleurs. Après avoir fermé la bouteille de gaz et les boutons de commande du brûleur, patientez au moins cinq minutes pour laisser le gaz se dissiper avant de tenter d'allumer le grill. Le non respect de cette mesure de sécurité risque de provoquer une blessure grave ou un décès.

C) Ouvrez la bouteille de gaz en tournant la valve de la bouteille de gaz dans le sens inverse des aiguilles d'une montre (3).

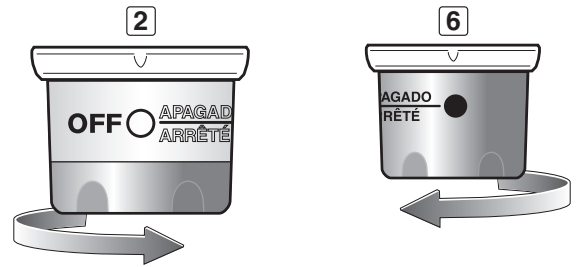
⚠ **MISE EN GARDE : Ne vous penchez pas au-dessus du barbecue ouvert.**

D) Allumez chacun des brûleurs principaux adjacents du brûleur Sear Station® (4). Enfoncez le bouton de commande et positionnez-le sur MARCHE/ELEVE jusqu'à ce que vous entendiez le dé clic de l'allumeur; continuez à maintenir le bouton de commande enfoncé pendant deux secondes. Cette action produit une étincelle au niveau de l'allumeur, du tube d'allumage du brûleur, puis du brûleur principal.

E) Vérifiez que le brûleur est allumé en regardant à travers les grilles de cuisson (5). Vous devriez voir une flamme. Si le brûleur ne s'allume pas au premier essai, enfoncez le bouton de commande et positionnez-le sur ARRÊTÉ. Répétez la procédure d'allumage une seconde fois.



Il est possible que le grill de l'illustration présente de légères différences par rapport au modèle acheté.



Allumage du Brûleur Sear Station® : Allumage depuis un Brûleur Principal Allumé Adjacent

F) Positionnez le bouton de commande du brûleur Sear Station® sur ON (6).
G) Vérifiez l'allumage du brûleur en effectuant une inspection visuelle de la flamme (7).

⚠ **MISE EN GARDE : Si l'allumage ne se produit pas sous cinq secondes, positionnez la commande du brûleur sur ARRÊTÉ, patientez cinq minutes, puis répétez les étapes F & G, ou consultez les instructions de la section "ALLUMAGE MANUEL DU BRULEUR SEAR STATION®".**

⚠ **MISE EN GARDE : Si le brûleur ne s'allume toujours pas, positionnez le bouton de commande du brûleur sur ARRÊTÉ puis patientez cinq minutes pour laisser le gaz se dissiper avant d'essayer à nouveau ou d'essayer d'allumer le brûleur à l'aide d'une allumette.**

Remarque : Voir la Section "MAINTENANCE" pour plus d'informations sur le retrait et la procédure de nettoyage du brûleur. ♦

POUR ETEINDRE

Enfoncez chaque bouton de commande et tournez-le dans le sens des aiguilles d'une montre pour le positionner sur ARRÊTÉ. Fermez l'arrivée de gaz à la source. ♦

ALLUMAGE & UTILISATION DE LA SEAR STATION®

ALLUMAGE MANUEL DU BRULEUR SEAR STATION®

⚠ DANGER

Le fait de ne pas ouvrir le couvercle pendant l'allumage des brûleurs du barbecue, ou de ne pas patienter cinq minutes pour laisser le gaz se dissiper si le barbecue ne s'allumait pas, pourrait provoquer un embrasement explosif susceptible de provoquer une blessure grave ou un décès.

Le brûleur Sear Station® est pourvu d'une commande de mise en marche/arrêt. Pour allumer le brûleur Sear Station®, vous devez d'abord allumer les deux brûleurs principaux adjacents.

Allumage Automatique du Brûleur Principal Adjacent

Remarque : Chacun des allumeurs automatiques des boutons de commande du brûleur principal crée une étincelle à partir de l'électrode de l'allumeur vers le tube d'allumage du brûleur. C'est vous qui générez l'énergie nécessaire à la production de l'étincelle en enfonçant le bouton de commande et en le positionnant sur MARCHE/ELEVE. Ceci allume chaque brûleur individuel.

- Ouvrez le couvercle (1).
- Vérifiez que chacun des brûleurs principaux adjacents du brûleur Sear Station® est allumé en procédant à une inspection visuelle de la flamme (2).
- Placez une allumette dans le porte-allumettes et frottez-la.
- MISE EN GARDE : Ne vous penchez pas au-dessus du barbecue ouvert.**
- Insérez le porte-allumettes et l'allumette allumée à travers les grilles de cuisson et les barres Flavorizer® pour allumer le brûleur Sear Station® (3).
- Enfoncez le bouton de commande du brûleur Sear Station® et positionnez-le sur ON (4).

- ⚠ **MISE EN GARDE : Si le brûleur ne s'allume pas, positionnez le bouton de commande du brûleur sur ARRÊTÉ et patientez cinq minutes pour laisser le gaz se dissiper avant d'essayer à nouveau.**

Remarque : Voir la section "MAINTENANCE" pour des informations sur le retrait du brûleur et la procédure de nettoyage. ♦

POUR ETEINDRE

Enfoncez et tournez chaque bouton de commande dans le sens des aiguilles d'une montre vers la position ARRÊTÉ. Fermez l'arrivée de gaz à la source. ♦

UTILISATION DU BRULEUR SEAR STATION®

Votre barbecue à gaz Weber® est livré avec un brûleur à saisir (pour saisir les viandes comme les steaks, les pièces de volaille, le poisson et les côtes).

La saisie est une technique de cuisson au grill directe qui fait brunir la surface des aliments à une température élevée. En saisissant ou en faisant dorer les deux côtés de la viande, vous créez un saveur plus souhaitable en caramélisant la surface des aliments. La saisie optimise également l'aspect de la viande grâce aux marques de saisie laissées par les grilles de cuisson. Ceci combiné au contraste des textures et des saveurs peut rendre les aliments plus intéressants pour le palais.

Le brûleur Sear Station® est pourvu d'une commande de mise en marche/arrêt qui fonctionne avec les deux brûleurs principaux adjacents. Avec le brûleur à saisir et les deux brûleurs adjacents, vous pouvez saisir efficacement les viandes tout en utilisant les autres surfaces de cuisson pour cuisiner à température modérée.

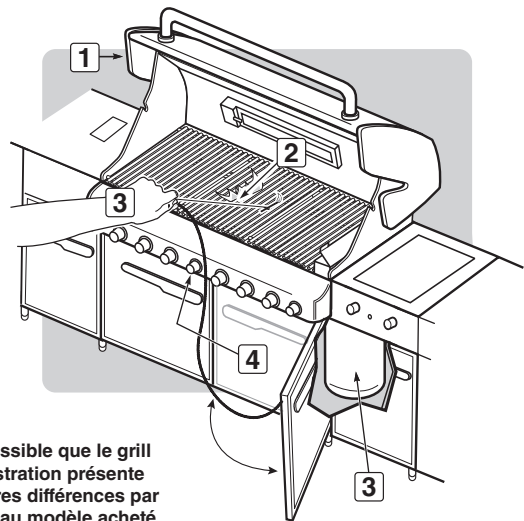
Avant de saisir les aliments, vous devriez positionner tous les brûleurs principaux sur ELEVE pendant 15 minutes pour préchauffer le grill. Remarque : Grillez toujours les aliments avec le couvercle fermé pour obtenir un maximum de chaleur et éviter les embrasements.

Une fois que le grill a été préchauffé, éteignez les brûleurs extérieurs ou réglez-les sur une faible puissance. Laissez les deux brûleurs centraux positionnés sur ELEVE et allumez le brûleur Sear Station.

Placez la viande directement sur le brûleur Sear Station®. Vous saisirez chaque côté d'une à quatre minutes, en fonction du type de viande et de son épaisseur. Vous pouvez retourner les aliments d'un quart de tour pour obtenir des marques de grillade croisées (1) avant de saisir l'autre côté de la même manière.

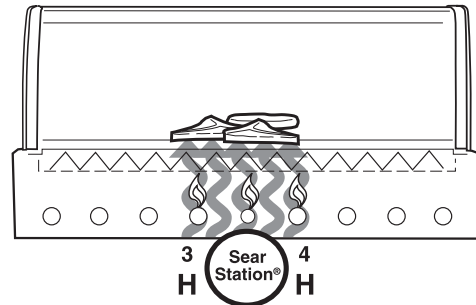
Une fois que vous avez saisi les aliments, vous pouvez terminer la grillade en déplaçant la viande vers une température plus modérée sur les brûleurs externes pour atteindre le niveau de cuisson souhaité.

Au fur et à mesure que vous gagnez en expérience avec votre brûleur Sear Station®, nous vous encourageons à expérimenter différentes durées de saisie afin de découvrir les résultats les plus adaptés à votre goût. ♦



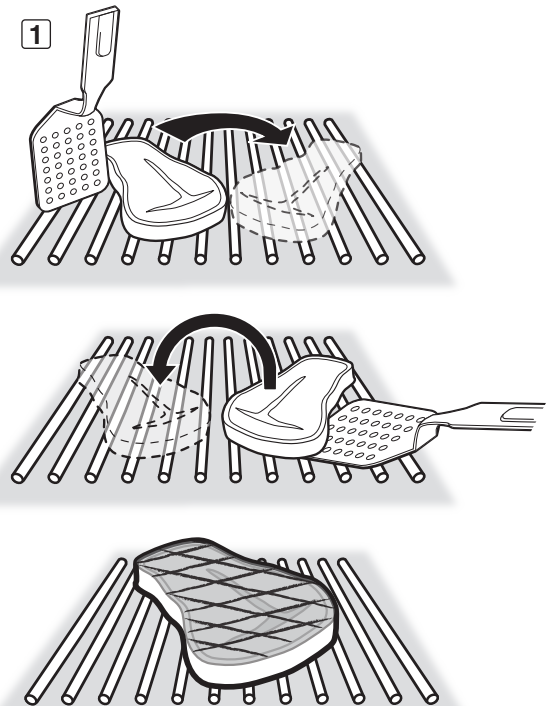
Il est possible que le grill de l'illustration présente de légères différences par rapport au modèle acheté.

6 BRÛLEURS



MÉTHODE POUR SAISIR LES ALIMENTS

Les aliments sont placés dans la zone de chaleur intense entre les brûleurs allumés.



ALLUMAGE & UTILISATION DU BRULEUR DU FUMOIR

ALLUMAGE DU BRULEUR DU FUMOIR

⚠ DANGER

Le fait de ne pas ouvrir le couvercle lorsque vous allumez le grill, ou de ne pas patienter cinq minutes pour laisser le gaz se dissiper si le grill ne s'allumait pas, pourrait entraîner un embrasement explosif susceptible de provoquer une blessure grave ou la mort.

Bouton d'Allumage du Brûleur du Fumoir

Remarque : Le dispositif d'allumage du bouton de commande crée une étincelle à partir de l'électrode de l'allumeur en direction du tube d'allumage du brûleur. vous générez l'énergie nécessaire à la création de l'étincelle en enfonçant le bouton de commande et en le positionnant sur MARCHE/ELEVE. Ceci allume le brûleur du fumoir.

⚠ **MISE EN GARDE** : Vérifiez le tuyau avant chaque utilisation du grill afin de détecter toute entaille, fissure, abrasion ou coupure. Si le tuyau se révèle détérioré de quelque manière, n'utilisez pas le grill. Ne remplacez le tuyau que par un tuyau de rechange agréé par Weber®. Veuillez entrer en contact avec le Représentant du Service clientèle le plus proche grâce aux coordonnées à votre disposition sur notre site Internet. Connectez-vous sur www.weber.com®.

- A) Ouvrez le couvercle du grill (1).
- B) Ouvrez le couvercle du boîtier du fumoir (2).
- C) Remplissez le fumoir de petits morceaux de bois ou de copeaux imbibés d'eau (3).
- D) Assurez-vous que la totalité des boutons de commandes des brûleurs inutilisés est positionnée sur ARRÊTÉ (4). (Enfoncez le bouton de commande et tournez dans le sens des aiguilles d'une montre pour vous assurer qu'il est positionné sur ARRÊTÉ.)

⚠ **MISE EN GARDE** : Les boutons de commande du brûleur doivent être positionnés sur ARRÊTÉ avant que vous ouvriez la valve de la bouteille de propane liquide. S'ils ne sont pas positionnés sur ARRÊTÉ, lorsque vous ouvrez la valve de la bouteille de PL, la fonction de "contrôle du débit de gaz en excès" s'active, limitant ainsi le débit de gaz en provenance de la bouteille de PL. Si cela se produisait, fermez la valve de la bouteille de PL et les boutons de commande des brûleurs. Ensuite, recommencez.

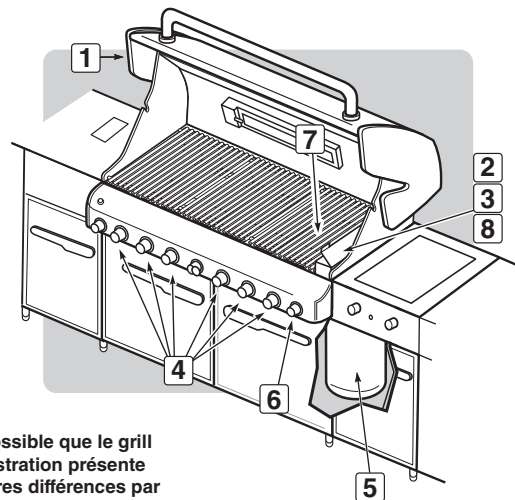
⚠ DANGER

Lorsque la fonction de "contrôle du débit de gaz en excès" est activée, une petite quantité de gaz circule toujours en direction des brûleurs. Une fois que vous avez fermé la bouteille de gaz et les boutons de commande des brûleurs, patientez au moins cinq minutes pour laisser le gaz se dissiper avant de tenter d'allumer le grill. Le non respect de cette mesure de sécurité pourrait entraîner un embrasement explosif, susceptible de provoquer une blessure ou la mort.

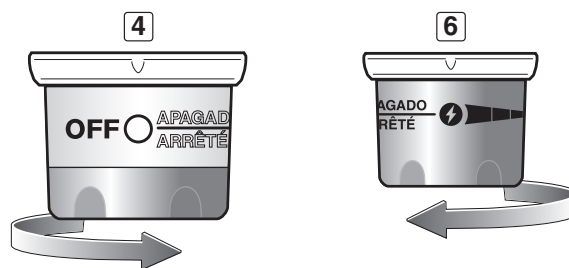
- E) Ouvrez la bouteille de gaz en tournant la valve dans le sens inverse des aiguilles d'une montre (5).

⚠ **MISE EN GARDE** : Ne vous penchez pas au-dessus du grill ouvert pendant que vous l'allumez.

- F) Enfoncez le bouton de commande puis positionnez-le sur MARCHE/ELEVE jusqu'à ce que vous entendiez l'allumeur émettre un déclic (6); continuez à maintenir le bouton de commande enfoncé pendant deux secondes. Cette action déclenchera des étincelles au niveau de l'allumeur, du tube d'allumage du brûleur, puis du brûleur du fumoir.
- G) Vérifiez que le brûleur est allumé en regardant à travers les grilles de cuisson (7). Vous devriez voir une flamme. Si le brûleur ne s'allume pas au premier essai, enfoncez le bouton de commande et positionnez-le sur ARRÊTÉ. Recommencez la procédure d'allumage une seconde fois.



Il est possible que le grill de l'illustration présente de légères différences par rapport au modèle acheté.



⚠ DANGER

Si le brûleur du fumoir ne s'allume toujours pas, positionnez le bouton de commande du brûleur sur ARRÊTÉ puis patientez cinq minutes pour laisser le gaz se dissiper avant d'essayer à nouveau, ou d'essayer d'allumer le brûleur avec une allumette (voir "ALLUMAGE MANUEL DU BRULEUR DU FUMOIR").

- H) Fermez le couvercle du boîtier du fumoir (8) une fois que le bois a commencé à brûler, puis positionnez le bouton de commande sur LOW. ♦

POUR ETEINDRE

Enfoncez et tournez chaque bouton de commande des brûleurs dans le sens des aiguilles d'une montre en position ARRÊTÉ. Fermez l'arrivée de gaz à la source. ♦

ALLUMAGE & UTILISATION DU BRULEUR DU FUMOIR

ALLUMAGE MANUEL DU BRULEUR DU FUMOIR

⚠ **MISE EN GARDE** : Vérifiez le tuyau avant chaque utilisation du grill afin de détecter toute entaille, fissure, abrasions ou coupure. Si le tuyau s'avère détérioré de quelque manière, n'utilisez pas le grill. Remplacez le tuyau par un tuyau de rechange agréé par Weber® uniquement. Veuillez entrer en contact avec le Représentant du Service clientèle de votre région grâce aux coordonnées à votre disposition sur notre site Internet. Connectez-vous sur www.weber.com®.

A) Ouvrez le couvercle (1).

⚠ DANGER

Le fait de ne pas ouvrir le couvercle pendant que vous allumez le grill, ou de ne pas patienter cinq minutes pour laisser le gaz se dissiper si le grill ne s'allumait pas, pourrait entraîner un embrasement explosif susceptible de provoquer une blessure grave ou la mort.

B) Ouvrez le couvercle du boîtier du fumeur (2).

C) Remplissez le fumeur de petits morceaux de bois ou de pépites de bois imbibés d'eau (3).

D) Assurez-vous que la totalité des boutons de commandes des brûleurs inutilisés est positionnée sur ARRÊTÉ (4). (Enfoncez le bouton de commande et tournez dans le sens des aiguilles d'une montre pour vous assurer qu'il est positionné sur ARRÊTÉ.)

⚠ **MISE EN GARDE** : Les boutons de commande du brûleur doivent être positionnés sur ARRÊTÉ avant que vous ouvriez la valve de la bouteille de gaz propane liquide. S'ils ne sont pas positionnés sur ARRÊTÉ, lorsque vous ouvrez la valve de la bouteille de PL, la fonction de "contrôle du débit de gaz en excès" s'active, limitant ainsi le débit de gaz en provenance de la bouteille de PL. Si cela se produisait, fermez la bouteille de PL et les boutons de commande du brûleur. Ensuite, recommencez.

⚠ DANGER

Lorsque la fonction de "contrôle du débit de gaz en excès" est activée, une petite quantité de gaz circule toujours en direction des brûleurs. Une fois que vous avez fermé la bouteille de gaz et les boutons de commande du brûleur, patientez au moins cinq minutes pour laisser le gaz se dissiper avant de tenter d'allumer le grill. Le non respect de cette mesure de sécurité pourrait entraîner un embrasement explosif susceptible de provoquer une blessure grave ou la mort.

E) Ouvrez la bouteille de gaz en tournant la valve de la bouteille de gaz dans le sens inverse des aiguilles d'une montre (5).

F) Placez une allumette dans le porte-allumettes puis frottez-la.

G) Insérez le porte-allumettes à travers les grilles de cuisson et les barres Flavorizer® pour allumer le brûleur du fumeur avec l'allumette (6).

⚠ **MISE EN GARDE** : Ne vous penchez pas au-dessus du grill ouvert pendant que vous l'allumez.

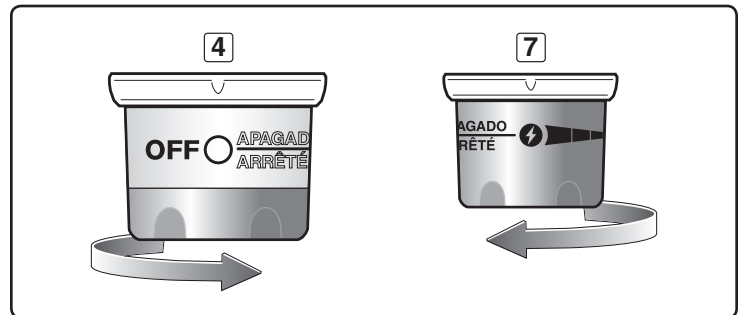
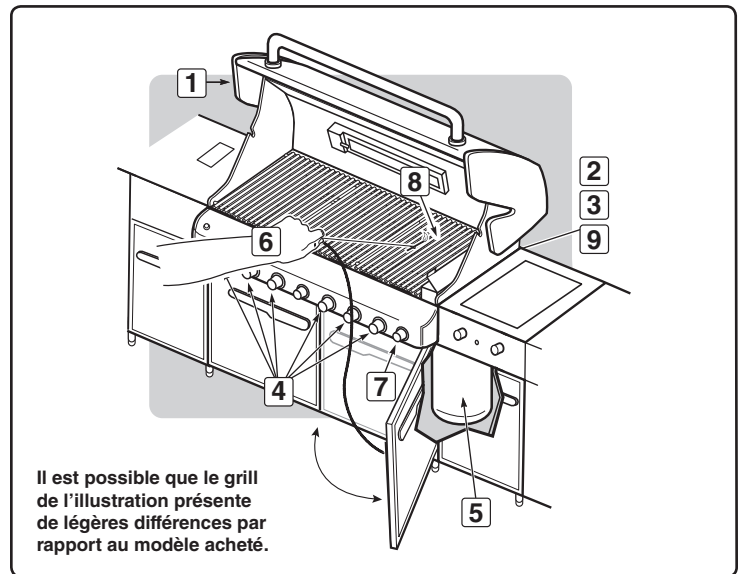
H) Enfoncez le bouton de commande du brûleur du fumeur puis positionnez-le sur MARCHE/ELEVE (7).

I) Vérifiez que le brûleur est allumé en regardant à travers la grille de cuisson (8).

⚠ DANGER

Si le brûleur du fumeur ne s'allume pas, positionnez le bouton de commande du brûleur sur ARRÊTÉ puis patientez cinq minutes pour laisser le gaz se dissiper avant d'essayer à nouveau.

J) Fermez le couvercle du boîtier du fumeur une fois que le bois a commencé à brûler puis positionnez le bouton de commande sur LOW (9). ♦



POUR ETEINDRE

Enfoncez et tournez chaque bouton de commande du brûleur dans le sens des aiguilles d'une montre pour le positionner sur ARRÊTÉ. Fermez l'arrivée de gaz à la source. ♦

UTILISATION DU FUMOIR

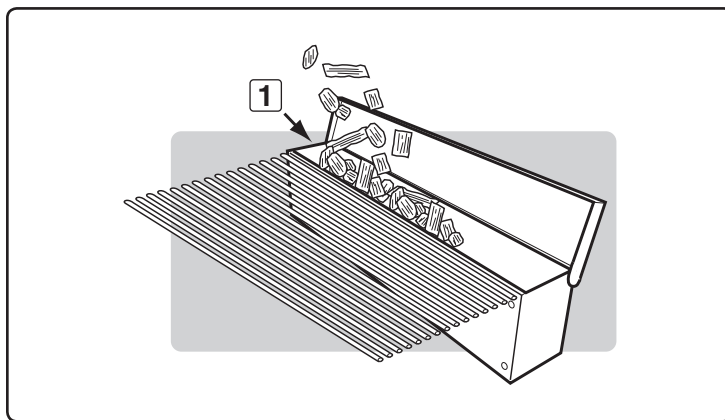
Le fumoir fonctionne avec de petits morceaux de bois imbibés d'eau au préalable. Pour un résultat optimal avec les aliments à cuisson rapide comme les steaks, les burgers, et les côtes, etc., nous recommandons l'utilisation de copeaux de bois plus fins parce que ceux-ci brûlent et produisent de la fumée plus rapidement. Pour les aliments à cuisson lente comme les rôtis, le poulet, et les dindes, etc., nous recommandons l'utilisation de morceaux de bois plus grands parce que ceux-ci brûlent lentement et fournissent de la fumée pendant plus longtemps. Au fur et à mesure que vous gagnez de l'expérience dans l'utilisation de votre fumoir, nous vous encourageons à expérimenter différents mélanges de pépites et de copeaux de bois pour trouver la saveur fumée la plus adaptée à vos goûts.

Pour commencer, plongez les copeaux de bois dans l'eau pendant au moins 20 minutes avant de les utiliser. (Du bois humide produit davantage de saveur fumée.) Placez une poignée de copeaux de bois ou quelques morceaux de bois plus gros au bas de la structure du fumoir (1). Au fur et à mesure que vous acquérez l'expérience du fumage, augmentez ou diminuez la quantité de bois pour l'adapter à vos goûts.

Remarque : Effectuez toujours vos grillades avec le couvercle fermé afin de permettre à la fumée de pénétrer totalement les aliments. Allumez le brûleur du fumoir en suivant les instructions pour "L'ALLUMAGE DU BRÛLEUR DU FUMOIR." Une fois que le bois a commencé à se consumer, positionnez le bouton de commande sur FAIBLE.

Le bois commence à fumer après environ 10 minutes et fume jusqu'à 45 minutes. Si vous avez besoin de plus de saveur fumée, rechargez le fumoir en pépites et/ou copeaux de bois. Maintenez le couvercle du grill fermé pendant la cuisson.

Remarque : Une fois que vous avez rechargé le fumoir, il faut environ 10 à 15 minutes pour que celui-ci produise à nouveau de la fumée. Vous pouvez utiliser le fumoir pour relever vos recettes de viande, de volaille, et de poisson. Cuisinez avec le couvercle fermé en respectant les durées indiquées dans les tableaux ou les recettes.



⚠ DANGER

N'utilisez pas de fluide inflammable pour allumer le bois dans le fumoir. Ceci provoquerait une blessure grave. ♦

NETTOYAGE DU FUMOIR

Avant chaque utilisation, videz les cendres du fumoir pour permettre une circulation d'air correcte.

Remarque : La fumée laisse un dépôt de "fumée" à la surface du fumoir. Ce dépôt ne peut pas être retiré et n'a aucune influence sur le fonctionnement du fumoir. A un degré moindre, un dépôt de "fumée" s'accumule à l'intérieur de votre grill à gaz. Ce dépôt n'a pas besoin d'être retiré et n'a aucune influence négative sur le fonctionnement de votre grill à gaz. ♦

ALLUMAGE & UTILISATION DU BRÛLEUR DE LA RÔTISSOIRE

ALLUMAGE DU BRÛLEUR DE LA RÔTISSOIRE

Bouton d'Allumage du Brûleur de la Rôtissoire

Remarque : L'allumeur de chaque bouton de commande crée une étincelle en provenance de l'électrode de l'allumeur vers le tube d'allumage du brûleur. Vous générez l'énergie nécessaire à la création de l'étincelle en enfonçant le bouton de commande et en le tournant vers MARCHE/ELEVE. Ceci allume chaque brûleur individuellement.

⚠ ATTENTION : LISEZ CECI AVANT D'ALLUMER LE BRÛLEUR DE LA RÔTISSOIRE

Après une période d'inutilisation, avant d'allumer le brûleur de la rôtissoire, quelques secondes doivent s'écouler pour que la conduite de gaz d'alimentation se remplisse.

Lorsque vous utilisez le bouton d'allumage, vous voyez un éclair de flammes se déplacer de gauche à droite à travers la surface du brûleur de la rôtissoire. Le brûleur de la rôtissoire n'est pas allumé tant que la totalité de la surface en céramique n'est pas allumée.

A partir de ce moment, commencez à décompter 20 secondes avant de relâcher le bouton de commande du brûleur de la rôtissoire.

La surface du brûleur de la rôtissoire rougeoit une fois que le brûleur est complètement allumé.

⚠ DANGER

Le fait de ne pas ouvrir le couvercle lorsque vous allumez le grill, ou de ne pas patienter cinq minutes pour laisser le gaz se dissiper si le grill ne s'allumait pas, pourrait entraîner un embrasement explosif susceptible de provoquer une blessure grave ou la mort.

⚠ ATTENTION : Il peut être difficile de voir la flamme du brûleur de la rôtissoire par une journée lumineuse et ensoleillée.

⚠ MISE EN GARDE : Vérifiez le tuyau avant chaque utilisation du grill afin de détecter toute entaille, fissure, abrasion ou coupure. Si le tuyau se révèle détérioré de quelque manière, n'utilisez pas le grill. Ne remplacez le tuyau que par un tuyau de rechange agréé par Weber®. Veuillez entrer en contact avec le Représentant du Service clientèle le plus proche grâce aux coordonnées à votre disposition sur notre site Internet. Connectez-vous sur www.weber.com®.

A) Ouvrez le couvercle (1).

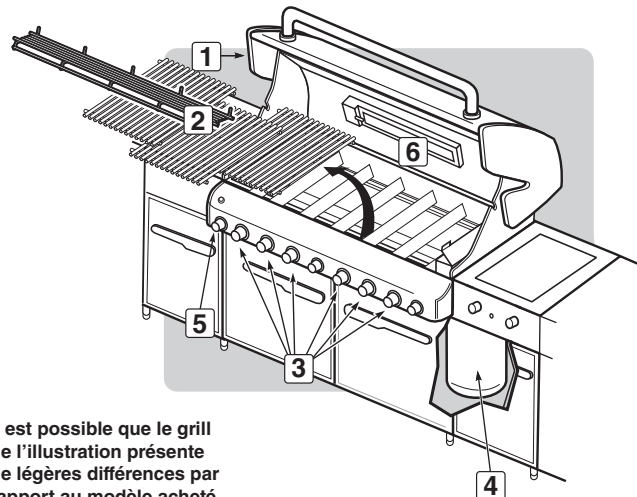
B) Retirez la grille de maintien au chaud et les grilles de cuisson du boîtier de cuisson (2).

C) Assurez-vous que tous les boutons de commande des brûleurs sont positionnés sur ARRÊTÉ (3). (Enfoncez le bouton de commande puis tournez-le dans le sens des aiguilles d'une montre pour vous assurer qu'il est positionné sur ARRÊTÉ.)

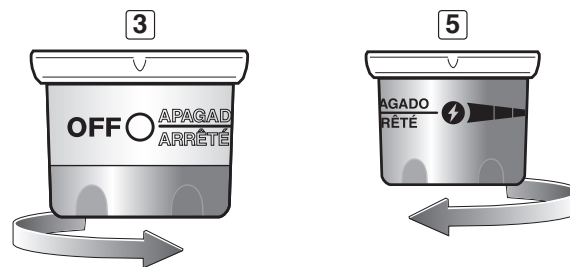
⚠ MISE EN GARDE : Les boutons de commande du brûleur doivent être positionnés sur ARRÊTÉ avant que vous ouvriez la valve de la bouteille de propane liquide. S'ils ne sont pas positionnés sur ARRÊTÉ, lorsque vous ouvrez la valve de la bouteille de PL, la fonction de "contrôle du débit de gaz en excès" s'active, limitant ainsi le débit de gaz en provenance de la bouteille de PL. Si cela se produisait, fermez la valve de la bouteille de PL et les boutons de commande des brûleurs. Ensuite, recommencez.

⚠ DANGER

Lorsque la fonction de "contrôle du débit de gaz en excès" est activée, une petite quantité de gaz circule toujours en direction des brûleurs. Une fois que vous avez fermé la bouteille de gaz et les boutons de commande des brûleurs, patientez au moins cinq minutes pour laisser le gaz se dissiper avant d'essayer d'allumer le grill. Le non respect de cette mesure de sécurité pourrait entraîner un embrasement explosif susceptible de provoquer une blessure grave ou la mort.



Il est possible que le grill de l'illustration présente de légères différences par rapport au modèle acheté.



D) Ouvrez la bouteille de gaz en tournant la valve dans le sens inverse des aiguilles d'une montre (4).

⚠ MISE EN GARDE : Ne vous penchez pas au-dessus du grill ouvert.

E) Enfoncez le bouton de commande et positionnez-le sur MARCHÉ/ELEVE (5). Cette action provoque une étincelle au niveau de l'allumeur et allume le brûleur de la rôtissoire. Continuez à utiliser l'allumeur automatique jusqu'à ce que le brûleur de la rôtissoire soit allumé. Maintenez le bouton de commande enfoncé jusqu'à vingt secondes à partir du moment où le brûleur s'est allumé. Relâchez le bouton de commande.

F) Vérifiez que le brûleur est allumé en regardant si le brûleur de la rôtissoire rougeoit (6).

⚠ MISE EN GARDE : Si le brûleur de la rôtissoire ne s'allume pas, positionnez le bouton de commande du brûleur sur ARRÊTÉ puis patientez cinq minutes pour laisser le gaz se dissiper avant d'essayer à nouveau ou d'essayer d'allumer le brûleur avec une allumette.

Remarque : Lorsque vous utilisez la rôtissoire avec le couvercle fermé, allumez seulement deux des brûleurs principaux de chaque côté des aliments (voir les "MÉTHODES DE CUISSON—CUISSON INDIRECTE"). Vérifiez vos aliments de temps en temps pour empêcher une cuisson excessive à l'extérieur. Éteignez le brûleur de la rôtissoire une fois que les aliments ont doré jusqu'à la teinte souhaitée. Finissez la cuisson à la chaleur indirecte. ♦

POUR ÉTEINDRE

Enfoncez et tournez le bouton de commande du brûleur dans le sens des aiguilles d'une montre pour le positionner sur ARRÊTÉ. Fermez l'arrivée de gaz à la source. ♦

ALLUMAGE & UTILISATION DU BRÛLEUR DE LA RÔTISSOIRE

ALLUMAGE MANUEL DU BRÛLEUR DE LA RÔTISSOIRE

⚠ ATTENTION : LISEZ CECI AVANT D'ALLUMER LE BRÛLEUR DE LA RÔTISSOIRE

Après une période d'inutilisation, avant d'allumer le brûleur de la rôtissoire, quelques secondes doivent s'écouler pour que la conduite de gaz d'alimentation se remplisse.

Lorsque vous tenez une allumette en direction du brûleur de la rôtissoire, vous voyez un éclair de flammes se déplacer de gauche à droite à travers la surface du brûleur de la rôtissoire. Le brûleur de la rôtissoire n'est pas allumé tant que le totalité de la surface en céramique n'est pas enflammée.

A partir de ce moment, décomptez 20 secondes avant de relâcher le bouton de commande du brûleur de la rôtissoire.

La surface du brûleur de la rôtissoire rougeoie une fois que le brûleur est complètement allumé.

⚠ DANGER

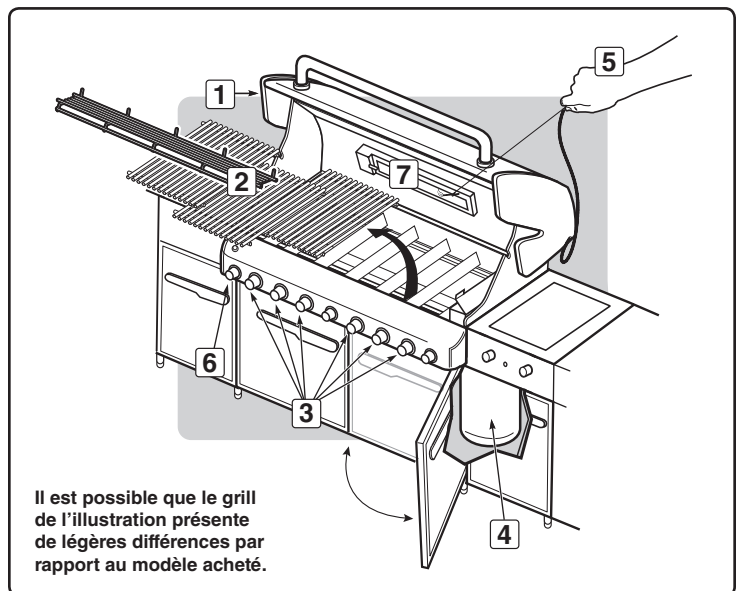
Le fait de ne pas ouvrir le couvercle lorsque vous allumez le grill, ou de ne pas patienter cinq minutes pour laisser le gaz se dissiper si le grill ne s'allumait pas, pourrait entraîner un embrasement explosif susceptible de provoquer une blessure grave ou la mort.

- ⚠ ATTENTION : Il peut être difficile de voir la flamme du brûleur de la rôtissoire par une journée lumineuse et ensoleillée.
- ⚠ MISE EN GARDE : Vérifiez le tuyau avant chaque utilisation du grill afin de détecter toute entaille, fissure, abrasion ou coupure. Si le tuyau se révèle détérioré de quelque manière, n'utilisez pas le grill. Ne remplacez le tuyau que par un tuyau de rechange agréé par Weber®. Veuillez entrer en contact avec le Représentant du Service clientèle le plus proche grâce aux coordonnées à votre disposition sur notre site Internet. Connectez-vous sur www.weber.com®.

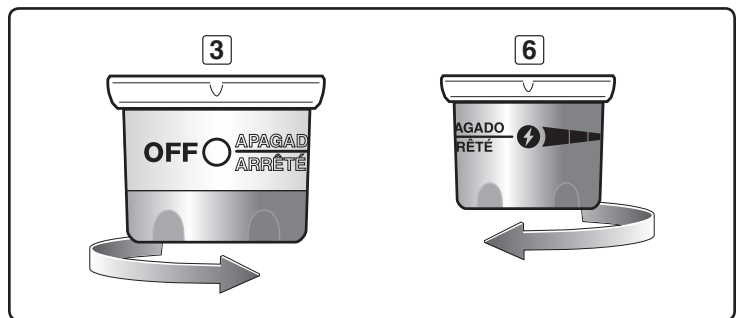
- A) Ouvrez le couvercle (1).
- B) Retirez la grille de maintien au chaud et les grilles de cuisson du boîtier de cuisson (2).
- C) Assurez-vous que tous les boutons de commande des brûleurs sont positionnés sur ARRÊTÉ (3). (Enfoncez le bouton de commande puis tournez-le dans le sens des aiguilles d'une montre pour vous assurer qu'il est positionné sur ARRÊTÉ.)
- ⚠ MISE EN GARDE : Les boutons de commande du brûleur doivent être positionnés sur ARRÊTÉ avant que vous ouvriez la valve de la bouteille de propane liquide. S'ils ne sont pas positionnés sur ARRÊTÉ, lorsque vous ouvrez la valve de la bouteille de PL, la fonction "contrôle du débit de gaz en excès" s'active, limitant ainsi le débit de gaz en provenance de la bouteille de PL. Si cela se produisait, fermez la valve de la bouteille de PL et les boutons de commande des brûleurs. Ensuite, recommencez.

⚠ DANGER

Lorsque la fonction de "contrôle du débit de gaz en excès" est activée, une petite quantité de gaz circule toujours en direction des brûleurs. Une fois que vous avez fermé la bouteille de gaz et les boutons de commande des brûleurs, patientez au moins cinq minutes pour laisser le gaz se dissiper avant d'essayer d'allumer le grill. Le non respect de cette mesure de sécurité pourrait entraîner un embrasement explosif susceptible de provoquer une blessure grave ou la mort.



Il est possible que le grill de l'illustration présente de légères différences par rapport au modèle acheté.



- D) Ouvrez la bouteille de gaz en tournant la valve dans le sens inverse des aiguilles d'une montre (4).
- E) Placez une allumette dans le porte-allumettes et frottez-la.
- F) Tenez le porte-allumettes et allumez le brûleur de la rôtissoire par la droite (5).
- ⚠ MISE EN GARDE : Ne vous penchez pas au-dessus du grill ouvert.
- G) Enfoncez le bouton de commande du brûleur de la rôtissoire et positionnez-le sur MARCHÉ/ELEVE (6). Maintenez le bouton de commande enfoncé jusqu'à vingt secondes à partir du moment où le brûleur s'est allumé.
- H) Vérifiez si le brûleur est allumé en regardant si le brûleur de la rôtissoire rougeoie (7).
- ⚠ MISE EN GARDE : Si le brûleur de la rôtissoire ne s'allume pas, positionnez le bouton de commande du brûleur sur ARRÊTÉ puis patientez cinq minutes pour laisser le gaz se dissiper avant d'essayer à nouveau.

Remarque : Lorsque vous utilisez la rôtissoire avec le couvercle fermé, allumez seulement deux des brûleurs principaux de chaque côté des aliments (voir les "MÉTHODES DE CUISSON – CUISSON INDIRECTE"). Vérifiez vos aliments de temps en temps pour empêcher une cuisson excessive à l'extérieur. Éteignez le brûleur de la rôtissoire une fois que les aliments ont doré jusqu'à la teinte souhaitée. Finissez la cuisson à la chaleur indirecte. ♦

POUR ÉTEINDRE

Enfoncez et tournez le bouton de commande du brûleur dans le sens des aiguilles d'une montre pour le positionner sur ARRÊTÉ. Fermez l'arrivée de gaz à la source. ♦

ALLUMAGE & UTILISATION DU BRULEUR DE LA ROTISSOIRE

PRECAUTIONS DE SECURITE IMPORTANTES

Remarque : Avant d'utiliser votre rôtissoire, mesurez votre aliment au point le plus large. Si la mesure est supérieure à 9 1/2" (241,8 mm), votre aliment est trop grand pour entrer dans la rôtissoire. S'il est trop grand, votre aliment peut être préparé en utilisant un support à rôtir et la méthode de cuisson indirecte.

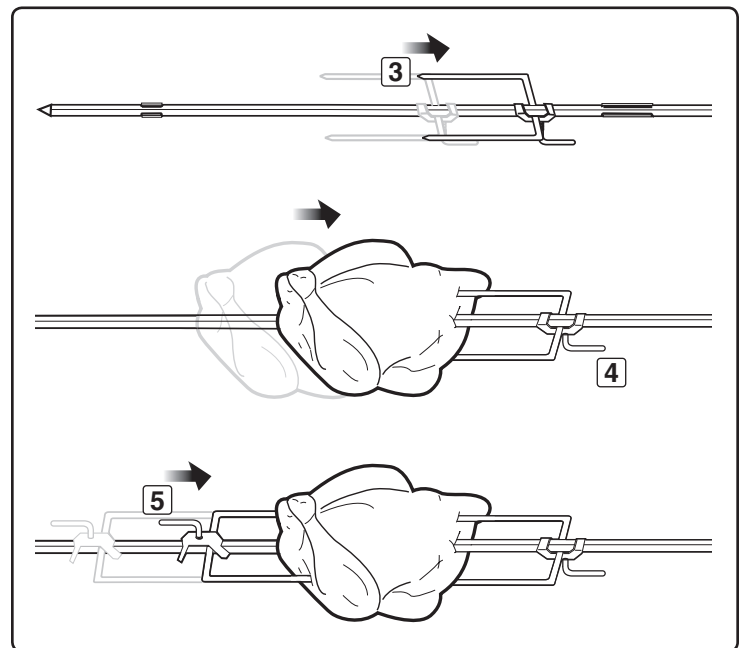
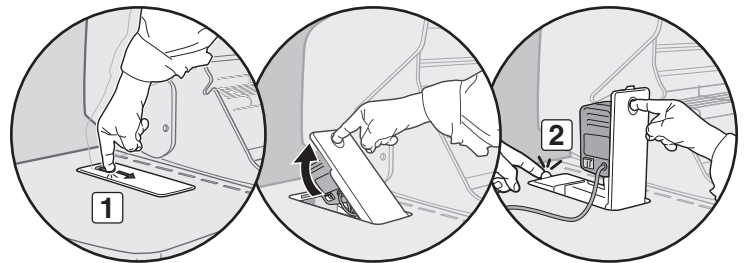
⚠ MISES EN GARDE

- ⚠ Lisez toutes les instructions avant d'utiliser votre rôtissoire.
- ⚠ Cette rôtissoire convient pour une utilisation en extérieur uniquement.
- ⚠ Retirez le moteur et rangez-le au sec lorsque vous ne l'utilisez pas.
- ⚠ Ne touchez pas les surfaces à haute température. Utilisez des gants de cuisinier.
- ⚠ Cette rôtissoire ne convient pas à une utilisation par des enfants.
- ⚠ Afin de vous protéger contre tout risque électrique, ne plongez pas le cordon d'alimentation, les fiches ou le moteur dans l'eau ni dans d'autres liquides.
- ⚠ Débranchez le moteur de la prise secteur lorsque vous ne l'utilisez pas ou avant de le nettoyer.
- ⚠ N'utilisez pas la rôtissoire pour un autre usage que celui pour lequel elle a été conçue.
- ⚠ Assurez-vous que le moteur est arrêté avant de le placer sur son support.
- ⚠ Ne faites pas fonctionner le moteur de la rôtissoire si le cordon d'alimentation ou la prise sont détériorés.
- ⚠ N'utilisez pas le moteur de la rôtissoire en cas de dysfonctionnement.
- ⚠ Le moteur de la rôtissoire est équipé d'un cordon d'alimentation à trois ergots (de raccordement à la terre) afin de vous protéger contre les risques d'électrocution.
- ⚠ Le cordon d'alimentation devrait être branché directement dans un réceptacle à trois ergots correctement raccordé à la terre. Si l'utilisation d'un cordon de rallonge est nécessaire, assurez-vous qu'il s'agit au minimum d'un cordon de 16 AWG (1,3 mm) à 3 brins bien isolé comportant une indication selon laquelle il CONVIENT POUR UNE UTILISATION EN EXTERIEUR UNIQUEMENT et qu'il est correctement raccordé à la terre.
- ⚠ Lorsque vous utilisez un cordon de rallonge, assurez-vous que celui-ci n'entre pas en contact avec une surface à haute température ou avec une surface coupante.
- ⚠ Les cordons de rallonge d'extérieur devraient comporter l'inscription "W-A" et une étiquette indiquant "Convient pour une utilisation avec des appareils d'extérieur".
- ⚠ Ne coupez pas ou ne retirez pas l'ergot de raccordement à la terre du cordon d'alimentation du moteur de la rôtissoire.
- ⚠ Ne laissez pas le cordon pendre au-dessus de toute extrémité coupante ou de toute surface à haute température.
- ⚠ N'exposez pas le moteur de la rôtissoire à la pluie.
- ⚠ Pour réduire le risque de choc électrique, maintenez le raccord du cordon de rallonge au sec et éloigné du sol.
- ⚠ Un cordon d'alimentation court est fourni afin de réduire le risque de se prendre les pieds dedans. Vous pouvez utiliser des cordons de rallonge mais vous devez faire preuve de prudence afin de ne pas trébucher sur le cordon.
- ⚠ En l'absence de codes régionaux, le moteur de la rôtissoire doit être raccordé au sol électriquement conformément au Code national de l'électricité, ANSI / NFPA 70, ou au Code de l'électricité du Canada, CSA C22.1. ♦

UTILISATION DE LA ROTISSOIRE

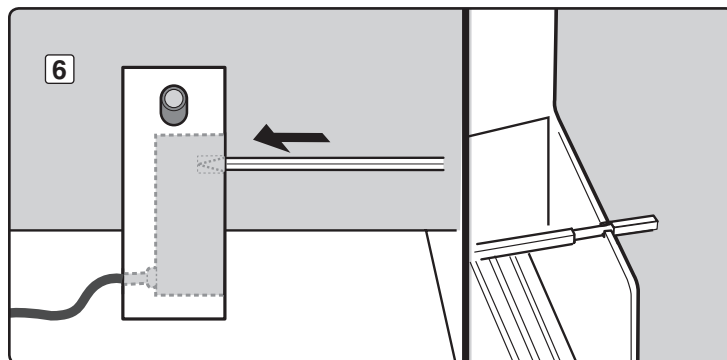
⚠ MISE EN GARDE : Préparez la rôtissoire avec les aliments avant d'allumer le brûleur de la rôtissoire.

- A) Pour installer le moteur de la rôtissoire, enfoncez le bouton sur le panneau de la rôtissoire rétractable (1). Tirez le panneau de la rôtissoire vers le haut. Enfoncez la languette de verrouillage (2) jusqu'à ce qu'un déclic indique qu'elle est en place.
- B) Retirez le cordon d'alimentation et branchez-le sur la source de courant électrique.
- ⚠ ATTENTION : Ne faites pas passer le cordon d'alimentation du moteur de la rôtissoire à travers l'ouverture de la rôtissoire rétractable dans la tablette latérale.
- ⚠ ATTENTION : Inspectez le cordon d'alimentation avant chaque utilisation. Si le cordon est détérioré, ne l'utilisez pas. Veuillez contacter le Représentant du service clientèle de votre région à l'aide des informations à votre disposition sur notre site Internet. Connectez-vous sur www.weber.com.
- C) Faites glisser l'une des broches à fourche vers le côté droit de l'axe de la rôtissoire, en vous assurant que les pointes soient orientées vers la gauche et que la vis de la fourche soit orientée vers le bas (3).
- D) Enfoncez l'axe de la rôtissoire à travers le centre des aliments. Insérez les dents des deux broches à fourches dans les aliments. Les aliments devraient être centrés sur l'axe. Serrez la vis de la fourche de la broche (4).
- E) Glissez une autre broche à fourche sur l'axe de la rôtissoire, en vous assurant que les pointes soient orientées vers la droite et que la vis de la fourche soit orientée vers le bas. Insérez les dents des deux broches à fourches dans les aliments. Serrez la vis de la fourche de la broche (5).



ALLUMAGE & UTILISATION DU BRULEUR DE LA ROTISSOIRE

- F) Insérez l'extrémité pointue de l'axe de la rôtissoire dans le moteur. Abaissez la broche de la rôtissoire dans les encoches sur le boîtier de cuisson (6).
- G) L'axe de la rôtissoire devrait être en rotation de sorte que le côté lourd de la viande ou de la volaille pivote pour se retrouver en bas. Les grosses pièces peuvent nécessiter le retrait des grilles de cuisson et de la grille de maintien au chaud pour permettre la rotation complète de l'axe. Remontez les aliments si nécessaire pour un meilleur équilibre.
- H) Allumez le moteur. ♦



CUISSON AVEC LA ROTISSOIRE

- Les viandes (à l'exception de la volaille et de la viande hachée) devraient être portées à température ambiante avant la cuisson. (20 à 30 minutes devraient convenir pour la plupart des aliments. Si les aliments sont surgelés, décongelez-les complètement avant la cuisson.)
- Ficelez la viande ou la volaille à l'aide d'une ficelle le cas échéant, afin de rendre la viande aussi uniforme que possible avant de la placer sur la broche.
- Retirez les grilles de cuisson et la grille de maintien au chaud pour permettre aux aliments de tourner librement.
- Suivez les instructions pour l'allumage du brûleur de la rôtissoire.
- Réglez le brûleur de la rôtissoire sur moyen-élevé, en fonction de la température ambiante à l'extérieur.
- Placez les aliments dans la zone du brûleur.
- Si vous souhaitez conserver les jus de viande pour la sauce gravy, placez un égouttoir directement au-dessous des aliments au-dessus des barres Flavorizer®.
- Les étapes de la préparation des aliments sont les mêmes pour la cuisson à la rôtissoire que pour une cuisson ordinaire.

- La totalité de la cuisson s'effectue avec le couvercle fermé.
- Si les aliments sont trop lourds ou s'ils sont de formes irrégulières, ils peuvent ne pas tourner correctement et ils devraient alors être cuits en utilisant la méthode indirecte sans utiliser la rôtissoire.
- Le fumoir peut être utilisé en association avec la rôtissoire pour davantage de saveur fumée.

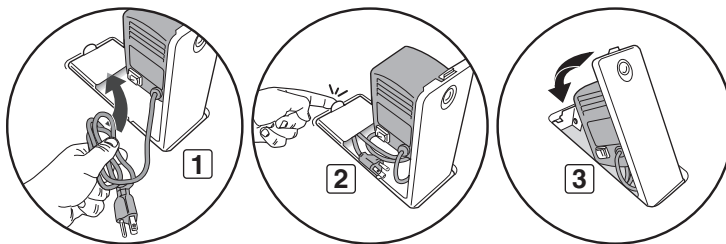
Remarque : Lorsque vous utilisez le brûleur de la rôtissoire, le thermomètre du grill n'indique pas la température à l'intérieur du boîtier de cuisson. ♦

RANGEMENT DU MOTEUR DE LA ROTISSOIRE

- A) Avant de rétracter à nouveau la rôtissoire à l'intérieur de la tablette latérale, débranchez le cordon d'alimentation et placez avec soin la fiche/le cordon d'alimentation à l'intérieur de la zone de rangement de l'assemblage de la rôtissoire rétractable (1).

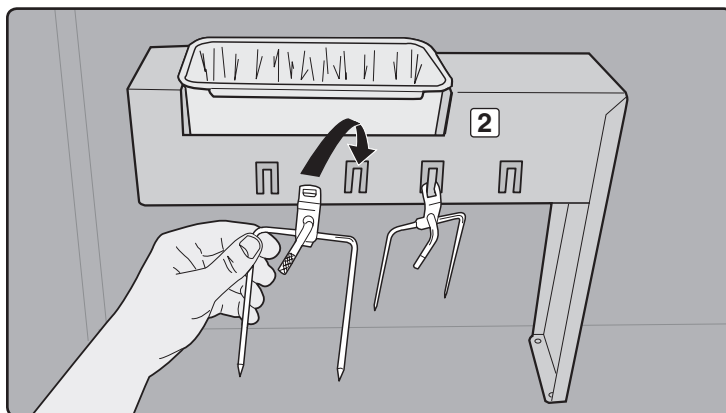
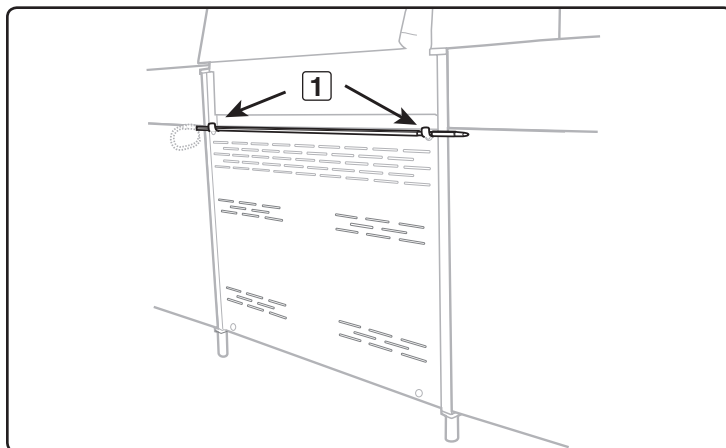
⚠ ATTENTION : Le fait de ne pas ranger correctement le cordon d'alimentation de la rôtissoire peut avoir pour conséquence une détérioration du cordon d'alimentation lors de l'ouverture et de la fermeture du panneau de la rôtissoire rétractable.

- B) Avec l'index, désengagez le panneau de la rôtissoire rétractable (2). Enfoncez le panneau vers le bas jusqu'à ce qu'un déclic indique qu'il est bien en place (3). ♦



RANGEMENT DE LA BROCHE DE LA ROTISSOIRE

- A) Retirez les fourches de la broche de la rôtissoire. Remettez en place la poignée de l'axe de la rôtissoire. Utilisez les supports pour le rangement de l'axe de la rôtissoire sur le panneau arrière pour ranger la broche de la rôtissoire (1).
- B) Rangez les fourches de la rôtissoire en les plaçant sur les crochets situés sur le support pour égouttoir à l'intérieur du meuble du grill (2). ♦



DEPANNAGE

PROBLEME	VERIFICATION	SOLUTION
Les brûleurs produisent une flamme jaune ou orange, et une odeur de gaz se dégage (c'est normal pour le tube d'allumage du brûleur).	Inspectez les grilles anti-araignées/insectes pour détecter les obstacles potentiels. (Blocage des trous.)	Nettoyez les grilles anti-araignées/insectes. (Voir la Section "MAINTENANCE ANNUELLE.")
Symptômes : Les brûleurs ne s'allument pas. OU Les flammes des brûleurs sont petites et vacillantes en position ELEVE. OU La température du barbecue atteint 250° à 300° uniquement en position ELEVE.	Le dispositif de protection contre le débit excessif, qui fait partie du raccord reliant le barbecue à la bouteille de gaz, s'est peut-être enclenché.	Pour réinitialiser le dispositif de protection contre le débit excessif, fermez tous les boutons de commande des brûleurs et la valve de la bouteille de gaz. Déconnectez le régulateur de la bouteille de gaz. Positionnez les boutons de commande du brûleur sur ELEVE. Patientez au moins une minute. Positionnez les boutons de commande du brûleur sur ARRÊTÉ. Reconnectez le régulateur à la bouteille de gaz. Ouvrez lentement la valve de la bouteille de gaz. Consultez les "ALLUMAGE DU BRULEUR PRINCIPAL."
Le brûleur ne s'allume pas. OU La flamme est petite en position ELEVE.	La bouteille de PL est-elle peu remplie ou vide ?	Rechargez la bouteille de PL.
	Le tuyau d'alimentation en combustible est-il plié ou pincé ?	Redressez le tuyau d'alimentation en combustible.
	Le brûleur s'allume-t-il avec une allumette ?	Nettoyez les brûleurs. (Voir la Section "MAINTENANCE.")
	Avez-vous utilisé le bouton de l'allumeur plusieurs fois jusqu'à ce que le brûleur principal soit allumé ? (Voir "ALLUMAGE DU BRULEUR PRINCIPAL.")	Assurez-vous de maintenir le bouton de commande enfoncé pendant deux secondes une fois que vous avez appuyé sur l'allumeur et que vous avez vu la flamme orange sortir du tube d'allumage du brûleur.
	L'allumeur fonctionne-t-il ? (Voyez-vous une étincelle lorsque vous utilisez plusieurs fois le bouton de l'allumeur ?)	Essayez d'allumer le brûleur manuellement. (Voir "ALLUMAGE MANUEL DU BRULEUR PRINCIPAL.") Appelez le Service clientèle.
Des embrasements se produisent : ⚠ ATTENTION : Ne couvrez-pas le plateau de récupération des graisses amovible d'une feuille de papier aluminium.	Préchauffez-vous le barbecue selon la méthode recommandée ?	Tous les brûleurs sur ELEVE pendant 10 à 15 minutes pour le préchauffage.
	Les grilles de cuisson et les barres Flavorizer® sont-elles recouvertes d'une épaisse couche de graisse brûlée ?	Nettoyez méticuleusement. (Voir la Section "NETTOYAGE.")
	Le plateau de récupération des graisses amovible est-il "sale" et empêche-t-il la graisse de s'écouler vers l'égouttoir ?	Nettoyez le plateau de récupération des graisses amovible.
L'aspect de la flamme du brûleur est irrégulier. La flamme est petite lorsque le brûleur est réglé sur ELEVE. Les flammes ne brûlent pas sur toute la longueur du tube du brûleur.	Les brûleurs sont-ils propres ?	Nettoyez les brûleurs. (Voir la Section "MAINTENANCE.")
L'intérieur du couvercle semble "s'écailler." (Cela ressemble à des éclats de peinture.)	Le couvercle est en émail ou en acier inoxydable; il n'est pas peint. Il ne peut pas "s'écailler." Ce que vous voyez, ce sont des éclats de graisse carbonisée qui se détachent du couvercle. IL NE S'AGIT PAS D'UN DEFAUT.	Nettoyez méticuleusement. (Voir la Section "NETTOYAGE.")
Les portes du placard ne sont pas alignées.	Vérifiez la goupille de réglage au bas de chaque porte.	Desserrez le ou les écrou(s) de réglage. Faites glisser la ou les porte(s) jusqu'à ce que celle(s)-ci soi(en)t alignée(s). Serrez le ou les écrou(s).
Le barbecue semble perdre de la chaleur pendant la cuisson par temps froid à des températures de 50°F/10°C ou à des températures plus froides.	Y a-t-il du givre/de la glace sur l'extérieur de la bouteille de PL ?	Le propane liquide à l'intérieur de la bouteille se transforme en vapeur trop lentement pour pouvoir approvisionner les brûleurs en gaz. Ceci est provoqué par le refroidissement par la température ambiante de la bouteille de PL, ce qui ralentit le processus de formation de la vapeur. Tournez les boutons de commande du brûleur pour les mettre en position d'arrêt et fermez la bouteille de PL. Remplacez la bouteille par une bouteille de PL de rechange puis reprenez la cuisson.
Si vous ne parvenez pas à résoudre les problèmes en utilisant ces méthodes, veuillez entrer en contact avec le Représentant du Service clientèle le plus proche grâce aux coordonnées à votre disposition sur notre site Internet. Connectez-vous sur www.weber.com .		

DEPANNAGE DU BRULEUR LATERAL

PROBLEME	VERIFICATION	SOLUTION
Le brûleur latéral ne s'allume pas.	L'arrivée de gaz est-elle fermée ? Le dispositif de sécurité limitant le débit de gaz en excès, qui fait partie du raccord entre le barbecue et la bouteille de gaz, s'est peut-être activé.	Ouvrez l'arrivée de gaz. Pour réinitialiser le dispositif de sécurité en cas de débit de gaz en excès, fermez la valve de la bouteille de PL et tournez tous les boutons de commande du brûleur en position FERMEE (OFF). Ouvrez les couvercles du grill et du brûleur latéral. Tournez lentement la valve de la bouteille de PL jusqu'à ce qu'elle soit complètement ouverte. Patientez plusieurs secondes puis allumez votre brûleur latéral. Voir "ALLUMAGE DU BRULEUR LATERAL."
La flamme est petite en position ELEVE.	Le tuyau d'alimentation en combustible est-il plié ou coincé ?	Redressez le tuyau.
L'allumage par bouton poussoir ne fonctionne pas.	Le brûleur s'allume-t-il avec une allumette ?	Si le brûleur s'allume avec une allumette, vérifiez l'allumeur (voir "MAINTENANCE DU BRULEUR LATERAL").
Si vous ne parvenez pas à résoudre les problèmes en utilisant ces méthodes, veuillez entrer en contact avec le Représentant du Service clientèle le plus proche grâce aux coordonnées à votre disposition sur notre site Internet. Connectez-vous sur www.weber.com.		

DEPANNAGE DE LA SEAR STATION®

PROBLEME	VERIFICATION	SOLUTION
Les brûleurs ont une flamme jaune ou orange, en association avec une odeur de gaz (c'est normal pour le tube d'allumage du brûleur). Le brûleur Sear Station® ne s'allume pas.	Inspectez les grilles anti-araignées/insectes pour détecter toute obstruction potentielle. (Blocage des trous.)	Nettoyez les grilles anti-araignées/insectes. (Voir la Section "MAINTENANCE ANNUELLE.")
	Avez-vous allumé les deux brûleurs principaux adjacents ? (Voir les instructions concernant la procédure d'allumage en toute sécurité "ALLUMAGE & UTILISATION DE LA SEAR STATION®.")	Vérifiez l'allumage des brûleurs adjacents principaux en effectuant une inspection visuelle de la flamme. ⚠ MISE EN GARDE : Si l'allumage ne se produit pas sous cinq secondes, positionnez la commande du brûleur sur ARRÊTÉ, patientez cinq minutes pour laisser le gaz se dissiper avant d'essayer à nouveau.
	Le brûleur s'allume-t-il avec une allumette ?	Si vous pouvez allumer le brûleur à l'aide d'une allumette, alors vérifiez le Canal Crossover® sur le brûleur à saisir. Voir la section "MAINTENANCE" pour plus d'informations sur le retrait du brûleur et sur la procédure de nettoyage.
	L'allumeur fonctionne-t-il ? (Voyez-vous une étincelle lorsque vous appuyez plusieurs fois sur l'allumeur automatique ?)	Essayez d'allumer manuellement le brûleur (voir "ALLUMAGE DU BRULEUR DE VOTRE SEAR STATION®"). Appelez le Service client.
Symptômes généraux : Le brûleur ne s'allume pas. OU Le brûleur a une petite flamme vacillante.	Le dispositif de contrôle du débit en excès, qui fait partie du raccord reliant le barbecue à la bouteille de gaz, a peut-être été activé.	Pour réinitialiser le dispositif de sécurité de contrôle de débit en excès, positionnez tous les boutons de commande du brûleur et la valve de la bouteille de gaz sur ARRÊTÉ. Déconnectez le régulateur de la bouteille de gaz. Positionnez les boutons de commande du brûleur sur MARCHE/ELEVE. Patientez au moins une minute. Positionnez les boutons de commande du brûleur sur ARRÊTÉ. Reconnectez le régulateur à la bouteille de gaz. Ouvrez lentement la valve de la bouteille de gaz. Consultez les instructions de la section "ALLUMAGE DU BRULEUR PRINCIPAL."
Si les problèmes ne peuvent pas être résolus en utilisant ces méthodes, veuillez contacter le Représentant du Service clientèle le plus proche grâce aux coordonnées à votre disposition sur notre site Internet. Connectez-vous sur www.weber.com.		

DEPANNAGE DE LA ROTISSOIRE

PROBLEME	VERIFICATION	SOLUTION
Le brûleur de la rotissoire ne s'allume pas.	Avez-vous maintenu le bouton de commande du brûleur de la rotissoire enfoncé pendant 20 secondes après l'allumage du brûleur ?	Essayez de rallumer le brûleur en maintenant le bouton de commande du brûleur enfoncé pendant 20 secondes une fois que le brûleur s'est allumé.
	Avez-vous attendu de voir la totalité de la surface en céramique allumée avant de décompter 20 secondes ?	Lorsque vous rallumez le brûleur en maintenant le bouton de commande du brûleur enfoncé, attendez de voir la totalité de surface en céramique allumée avant de décompter 20 secondes.
	Avez-vous utilisé le bouton d'allumage plusieurs fois jusqu'à ce que le brûleur s'allume ?	Une fois que vous avez attendu cinq minutes pour laisser le gaz se dissiper, essayez d'utiliser le bouton d'allumage plusieurs fois jusqu'à ce que le brûleur s'allume (Voir "ALLUMAGE & UTILISATION DU BRULEUR DE LA ROTISSOIRE.")
	L'allumeur fonctionne-t-il ? (Voyez-vous une étincelle lorsque vous utilisez plusieurs fois le bouton d'allumage ?)	Essayez d'allumer manuellement le brûleur. (Voir "ALLUMAGE MANUEL DU BRULEUR DE LA ROTISSOIRE.") Appelez le Service client.
Symptômes généraux : Le brûleur ne s'allume pas. OU La flamme du brûleur est petite et vacille.	Le dispositif de sécurité de protection contre le débit de gaz excessif, qui fait partie du raccord reliant le barbecue à la bouteille de gaz, s'est peut-être déclenché.	Pour réinitialiser le dispositif de sécurité de protection contre le débit excessif du gaz, positionnez tous les boutons de commande du brûleur et la valve de la bouteille de gaz sur ARRÊTÉ. Déconnectez le régulateur de la bouteille de gaz. Positionnez les boutons de commande du brûleur sur MARCHE/ELEVE. Patientez au moins une minute. Positionnez les boutons de commande du brûleur sur ARRÊTÉ. Reconnectez le régulateur à la bouteille de gaz. Ouvrez lentement la valve de la bouteille de gaz. Voir "ALLUMAGE DU BRULEUR PRINCIPAL."
Si vous ne parvenez pas à résoudre les problèmes en utilisant ces méthodes, veuillez entrer en contact avec le Représentant du Service clientèle le plus proche grâce aux coordonnées à votre disposition sur notre site Internet. Connectez-vous sur www.weber.com®.		

DEPANNAGE DE L'ECLAIRAGE DE POIGNEE GRILL OUT™

PROBLEME	VERIFICATION	SOLUTION
L'Éclairage de Poignée Weber Grill Out™ ne s'allume pas.	Les piles sont-elles usagées ?	Remplacez les piles.
	Les piles sont-elles correctement installées ?	Voir l'illustration de montage.
	Le couvercle est-il en position haute et le bouton de mise en marche est-il positionné sur ON ?	La lumière s'allume lorsque le couvercle est ouvert.
	L'Éclairage de Poignée Weber Grill Out™ est-il activé ?	Appuyez sur le bouton de mise en marche.
	L'Éclairage de Poignée Weber Grill Out™ est-il positionné correctement sur la poignée ?	Ajustez la position de la lampe (voir l'illustration de montage).
Si vous ne parvenez pas à résoudre les problèmes en utilisant ces méthodes, veuillez entrer en contact avec le Représentant du Service clientèle le plus proche grâce aux coordonnées à votre disposition sur notre site Internet. Connectez-vous sur www.weber.com®.		

NETTOYAGE

- ⚠ **MISE EN GARDE : Fermez votre barbecue à gaz Weber® et attendez que celui-ci ait refroidi avant de le nettoyer.**
- ⚠ **ATTENTION : Ne nettoyez pas vos barres Flavorizer® ou vos grilles de cuisson dans un four auto-nettoyant.**

Surfaces externes — Utilisez une solution d'eau savonneuse chaude pour le nettoyage, ensuite rincez à l'eau.

- ⚠ **ATTENTION : N'utilisez pas de nettoyant pour four, de détergents abrasifs (détergents de cuisine), de détergents contenant des agrumes, ni des tampons de nettoyage abrasifs sur les surfaces du barbecue ou du chariot.**

Sortez le plateau de récupération des graisses amovible en le faisant glisser — Retirez la graisse en excès, puis lavez à l'eau savonneuse chaude, avant de rincer.

- ⚠ **ATTENTION : Ne recouvrez pas le plateau de récupération des graisses amovible de papier aluminium.**

Barres Flavorizer® et grilles de cuisson — Nettoyez-les avec une brosse en acier inoxydable adaptée. Si nécessaire, retirez-les du grill et lavez-les à l'eau savonneuse chaude, puis rincez-les à l'eau.

Pour connaître la disponibilité des grilles de cuisson et des barres Flavorizer® de rechange, veuillez entrer en contact avec le Représentant du Service clientèle de votre région grâce aux coordonnées à votre disposition sur notre site Internet. Connectez-vous sur www.weber.com.

Égouttoir — Nous proposons des plats en aluminium jetables, ou vous pouvez recouvrir l'égouttoir de papier aluminium. Pour nettoyer l'égouttoir, lavez-le à l'eau savonneuse chaude, puis rincez-le.

Thermomètre — Essuyez-le avec de l'eau savonneuse chaude ; nettoyez-le avec une balle de plastique à récurer.

Boîtier de cuisson — Retirez tout débris en le brossant vers l'extérieur des tubes du brûleur. **N'ELARGISSEZ PAS LES PORTS (OUVERTURES).** Lavez l'intérieur du boîtier de cuisson à l'eau savonneuse chaude puis rincez à l'eau.

Intérieur du couvercle — Lorsque le couvercle est encore chaud, essuyez l'intérieur avec une serviette en papier pour empêcher toute accumulation de graisse. Les éclats de graisse accumulés ressemblent à des éclats de peinture.

Surfaces en acier inoxydable — Lavez les surfaces avec un chiffon doux et une solution d'eau savonneuse. Veillez à frotter dans le sens du grain de l'acier inoxydable.

N'utilisez pas de produits de nettoyage contenant de l'acide, des alcools minéraux, ou du xylène. Rincez bien une fois le nettoyage terminé.

Préservez votre acier inoxydable — Votre grill ou son placard, son couvercle, son panneau de commandes ainsi que ses étagères peuvent être en acier inoxydable. Préserver l'aspect optimal de l'acier inoxydable n'est pas compliqué. Nettoyez à l'eau savonneuse, rincez à l'eau claire, et essuyez pour sécher. Pour les particules tenaces, vous pouvez utiliser une brosse non métallique.

- ⚠ **IMPORTANT : N'utilisez pas de brosse métallique ni de détergents abrasifs sur les surfaces en acier inoxydable de votre grill car ceci le rayerait.**
- ⚠ **IMPORTANT : Lorsque vous nettoyez les surfaces assurez-vous de frotter/essuyer dans le sens du grain pour préserver l'aspect de votre acier inoxydable. ♦**

GRILLES ANTI-ARAIGNÉES/INSECTES WEBER®

Votre barbecue à gaz Weber®, comme tout appareil à gaz d'extérieur, constitue une cible pour les araignées et les autres insectes. Ceux-ci peuvent faire leur nid dans la section des venturi (1) des tubes du brûleur. Ceci bloque le débit normal du gaz, et risque de provoquer le retour du gaz à l'extérieur de l'ouverture destinée à l'air nécessaire à la combustion. Ceci pourrait entraîner un incendie à l'intérieur et autour des ouvertures destinées à recevoir l'air nécessaire à la combustion, au-dessous du panneau de commandes, provoquant une détérioration grave de votre barbecue.

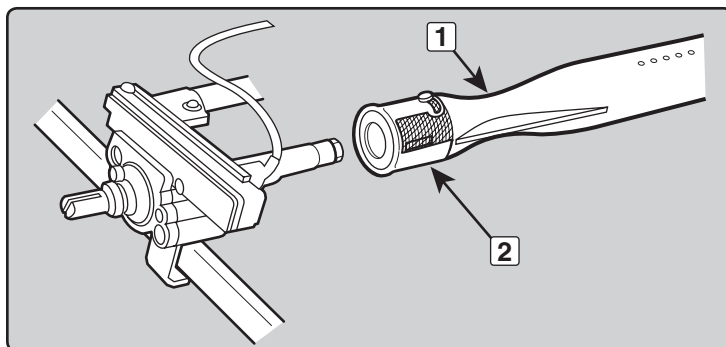
L'ouverture destinée à recevoir l'air nécessaire à la combustion est protégée par une grille en acier inoxydable (2) afin d'empêcher les araignées et les autres insectes d'accéder aux tubes du brûleur à travers les ouvertures de circulation de l'air nécessaire à la combustion.

Moins vous recommandons d'inspecter les grilles anti-araignées/insectes au moins une fois par an. (Voir la Section "MAINTENANCE ANNUELLE.") Veuillez également inspecter et nettoyer les grilles anti-araignées/insectes si l'un des symptômes suivant se produisait :

- A) Une odeur de gaz est émise et en même temps les flammes du brûleur semblent jaunes et peu vigoureuses.
- B) Le barbecue n'atteint pas la température.
- C) Le barbecue ne chauffe pas de façon homogène.
- D) Un ou plusieurs brûleurs ne s'allument pas.

⚠ DANGER

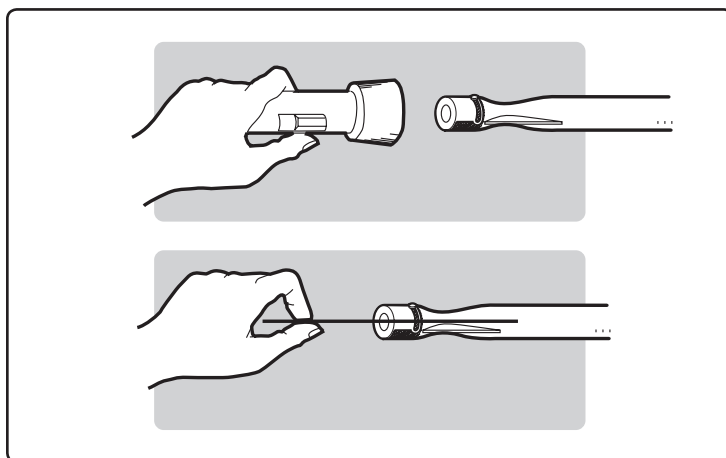
Le fait de ne pas corriger les symptômes mentionnés ci-dessus pourrait entraîner un incendie, susceptible de provoquer une blessure grave ou la mort et des dommages à la propriété. ♦



NETTOYAGE DE TUBE DE BRÛLEUR

- A) Fermez l'arrivée de gaz.
- B) Retirez le collecteur. (Voir "REPLACEZ LES BRÛLEURS PRINCIPAUX.")
- C) Regardez à l'intérieur de chaque brûleur avec une lampe torche.
- D) Nettoyez l'intérieur des brûleurs à l'aide d'un fil de fer (un cintre déplié fera l'affaire). Vérifiez et nettoyez les orifices des clapets d'arrivée d'air aux extrémités des brûleurs. Vérifiez et nettoyez les orifices à la base des valves. Utilisez une brosse en fils d'acier pour nettoyer l'extérieur des brûleurs. Cela permet de s'assurer que tous les ports des brûleurs sont entièrement ouverts.

- ⚠ **ATTENTION : N'élargissez pas les ports des brûleurs pendant le nettoyage. ♦**



REPLACEMENT DES BRULEURS PRINCIPAUX

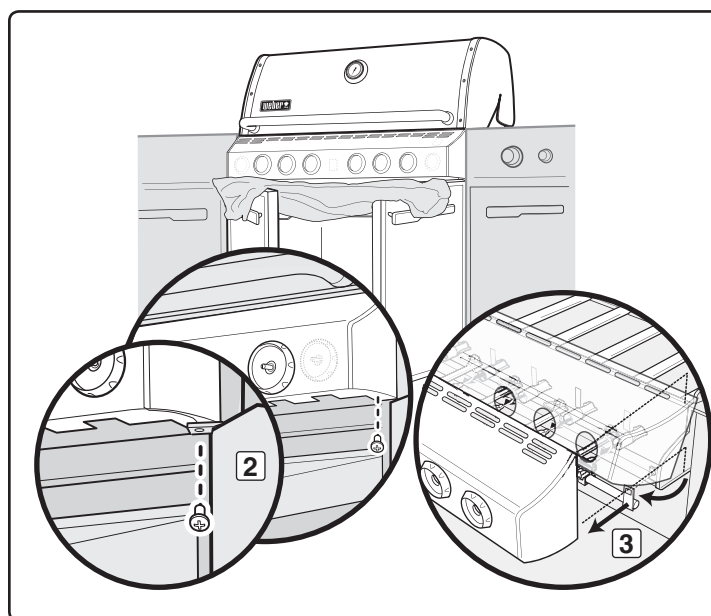
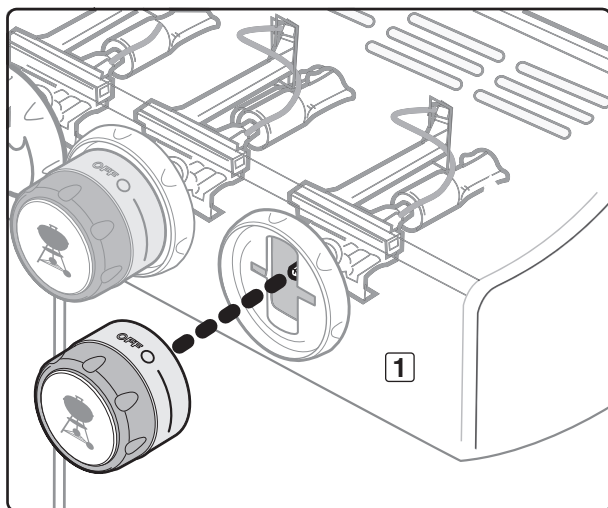
Remarque: Votre Grill à Gaz Summit® doit être éteint et avoir refroidi.

- A) Fermez le gaz à la source.
- B) Déconnectez l'arrivée de gaz.
- C) Retirez les grilles de cuisson.
- D) Retirez les barres Flavorizer®.
- E) Retirez le boîtier du fumoir (si inclus dans votre modèle).

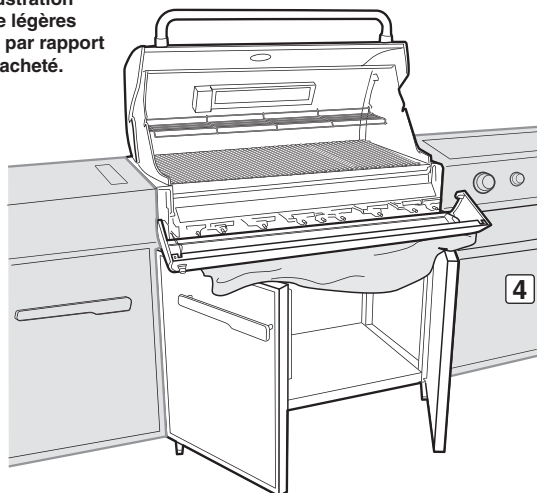
Retirer le Panneau de Commandes

Pièces nécessaires : un tournevis cruciforme et une serviette.

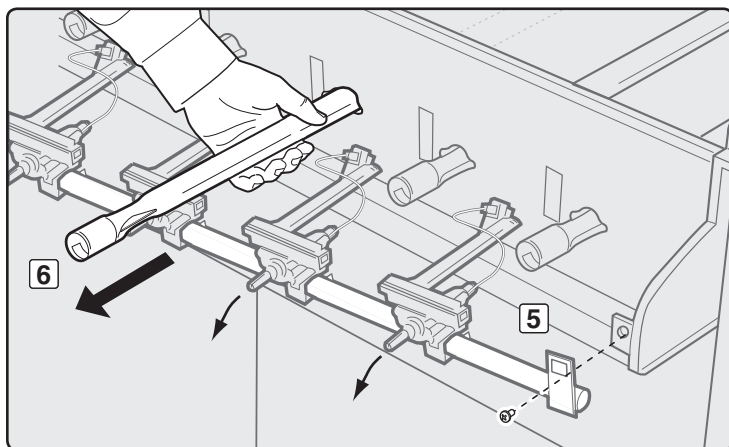
- A) Retirez les boutons de commande du brûleur (1).
- B) Ouvrez les deux portes et placez une serviette au-dessus des portes. Ceci protégera le panneau de commandes ainsi que les dessus des portes contre les rayures lors de l'étape suivante.
- C) Retirez les vis du dessous du panneau de commandes à l'aide d'un tournevis cruciforme (2).
- D) Inclinez le panneau de commandes vers l'avant et soulevez-le pour l'éloigner du grill (3). (Pour les modèles Summit® avec fonctionnalités LED : Faites attention à ne pas briser ou déconnecter les câbles des LED du panneau de commandes.)
- E) Placez le panneau de commandes sur la serviette qui couvre l'ensemble des portes (4).



Il est possible que le grill de l'illustration présente de légères différences par rapport au modèle acheté.



- F) Retirez les deux vis qui maintiennent le collecteur contre le boîtier de cuisson. Retirez l'ensemble du collecteur du cadre du collecteur (5).
- G) Retirez le(s) tube(s) du/des brûleur(s) sélectionné(s) du cadre du collecteur et remplacez-le(s) par un/des tube(s) de brûleur(s) neuf(s) (6).

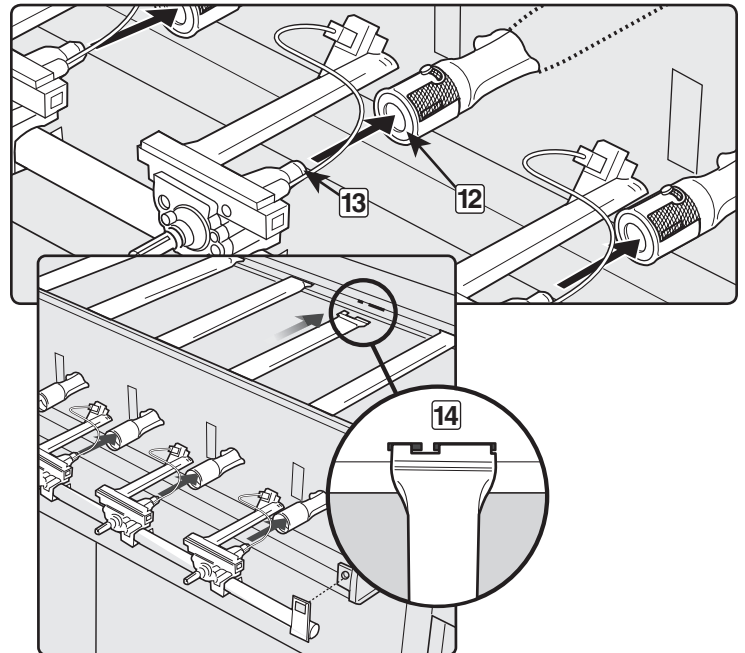
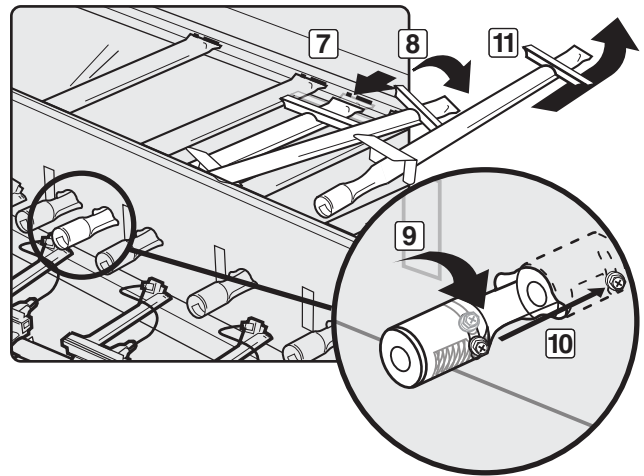


Retrait du Brûleur Sear Station®

Pour retirer le brûleur Sear Station®, tirez le tube du brûleur vers vous. Ceci le retire de l'encoche du tube du brûleur (7). Ensuite, faites pivoter le tube dans le sens des aiguilles d'une montre (8), en veillant à faire pivoter le tube de sorte que la vis à l'extrémité du tube (9) s'encastre dans l'encoche de l'ouverture de la protection contre la chaleur (10). Lorsque le tube du brûleur est dégagé, retirez-le du boîtier de cuisson (11).

A) Pour réinstaller l'ensemble du collecteur, inversez les étapes de "Retirer le Panneau de Commandes" tel que décrit précédemment.

- ⚠ **ATTENTION** : Les orifices du brûleur (12) doivent être positionnés correctement au-dessus des orifices des valves (13). Assurez-vous que l'extrémité opposée des tubes du brûleur (14) est correctement alignée avec les fentes à l'arrière du boîtier de cuisson. Vérifiez que le montage est correct avant de fixer le collecteur en place.
- ⚠ **MISE EN GARDE** : Une fois que vous aurez remis en place les conduites de gaz, celles-ci devraient faire l'objet d'un contrôle de détection des fuites au moyen d'une solution d'eau savonneuse avant toute utilisation du grill. (Voir, "DÉTECTION DES FUITES DE GAZ.") ♦



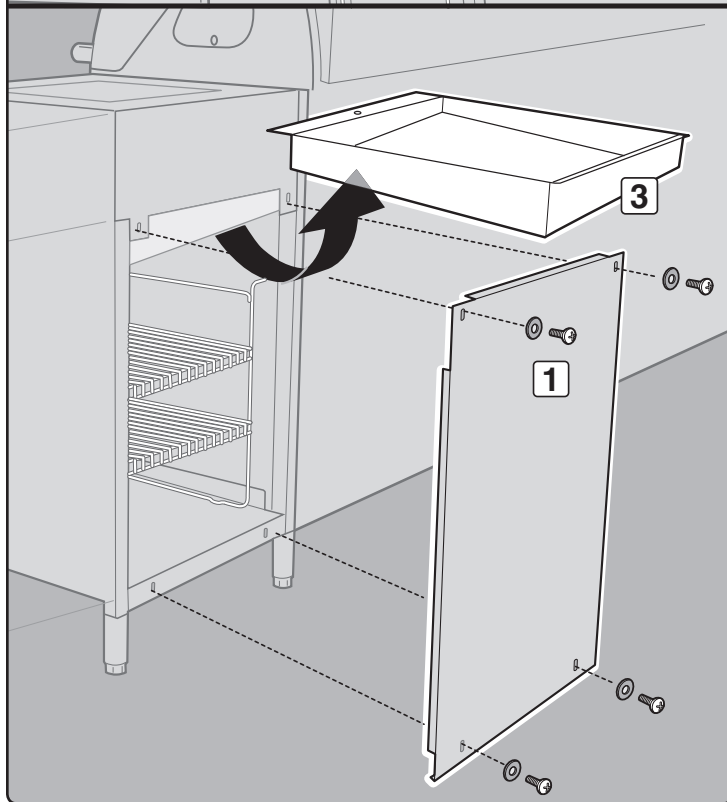
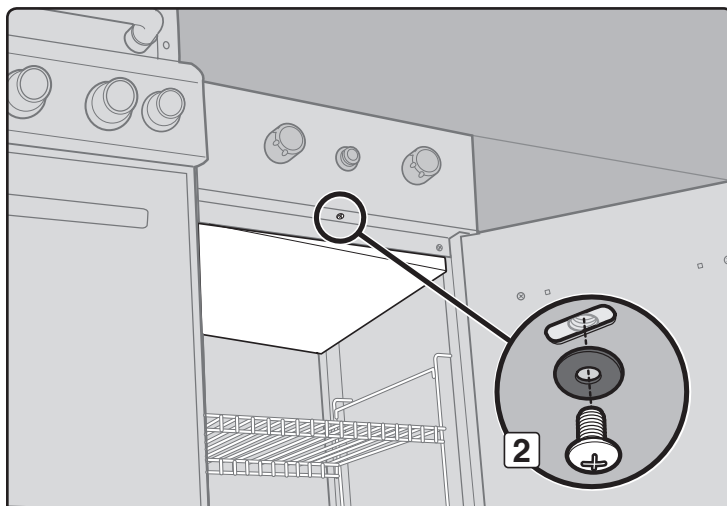
MAINTENANCE DU BRULEUR LATERAL

⚠ MISE EN GARDE : La totalité des commandes de gaz et des valves d'alimentation devrait être positionnée sur OFF.

Vérifiez les câbles de l'allumeur au-dessous du brûleur latéral

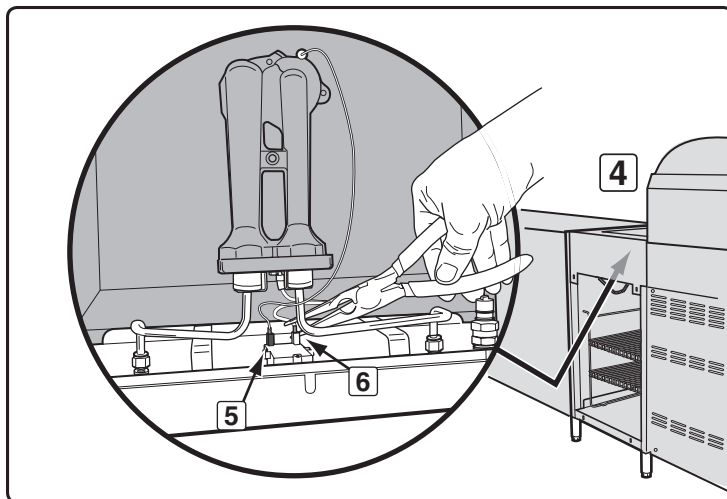
Outils nécessaires : Un tournevis cruciforme.

- A) Pour retirer le panneau arrière du meuble du brûleur latéral et le déflecteur à eau du meuble du brûleur latéral :
- En étant face à l'arrière de l'appareil, retirez les vis qui fixent le panneau arrière du meuble du brûleur latéral à l'aide d'un tournevis cruciforme (1).
 - Retirez le panneau arrière et mettez-le de côté.
 - En étant face à l'avant de l'appareil, ouvrez la porte du meuble du brûleur latéral puis retirez la vis et la rondelle qui fixent le déflecteur à eau du meuble du brûleur latéral (2).
 - En étant face à l'arrière de l'appareil, enfoncez le déflecteur à eau vers l'avant pour permettre à l'extrémité arrière de tomber. Faites pivoter le déflecteur à eau vers le bas selon un angle puis retirez-le du meuble du brûleur latéral (3).



- Localisez les fils de l'allumeur sur le dessous du brûleur latéral (4).
- Assurez-vous que le fil noir (5) est connecté à la pince du terminal noir sur le module d'allumage.
- Assurez-vous que le fil blanc (6) est connecté à la pince du terminal blanc sur le module d'allumage.

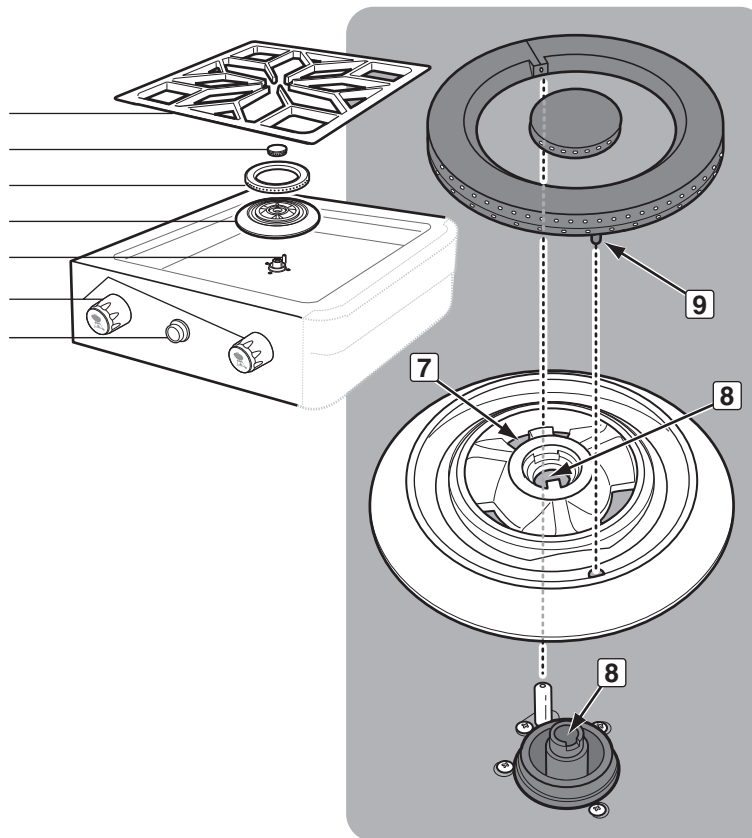
Remarque : L'étincelle devrait être de couleur blanche/bleue, pas jaune.



Vérifiez l'adaptation et l'alignement des composants du brûleur latéral

- A) Assurez-vous que la tête du brûleur latéral est correctement alignée au-dessus de l'électrode de l'allumeur et du brûleur. L'électrode doit s'adapter à l'intérieur de l'ouverture pour électrode (7) et se verrouiller dans la languette sur le brûleur (8).
- B) Assurez-vous que la bague externe du brûleur latéral 2 est positionnée correctement sur la tête du brûleur latéral ; faites pivoter la bague jusqu'à ce que la goupille de localisation se verrouille à l'intérieur du trou sur la tête du brûleur (9). ♦

Grille du brûleur latéral
 Bague interne du brûleur latéral 1
 Bague externe du brûleur latéral 2
 Tête du brûleur latéral
 Electrode de l'allumeur
 Bouton de commande
 Allumeur



MAINTENANCE ANNUELLE

Inspection et Nettoyage de la Grille Anti-Araignées/Insectes

Pour inspecter les grilles anti-araignées/insectes, retirez le panneau de commandes. En cas de présence de poussière ou d'impuretés sur les grilles, retirez les brûleurs pour nettoyer les grilles.

Brossez légèrement les grilles anti-araignées/insectes avec une brosse à poils souples (par exemple, une vieille brosse à dents).

⚠ ATTENTION : Ne nettoyez pas les grilles anti-araignées/insectes à l'aide d'ustensiles durs ou coupants. Ne délogez pas les grilles-anti araignées/insectes de leurs emplacements et n'élargissez pas les ouvertures des grilles.

Tapotez légèrement le brûleur pour faire sortir les débris et les impuretés du tube du brûleur. Une fois que les grilles anti-araignées/insectes sont propres, remettez les brûleurs en place.

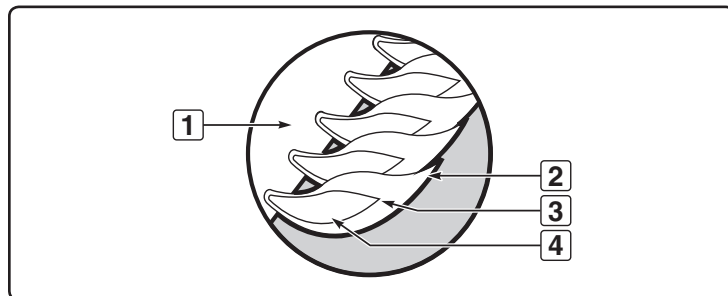
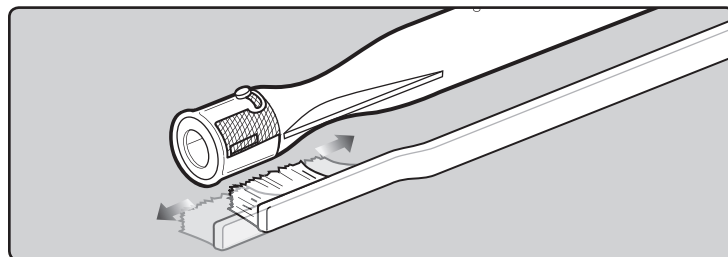
Si une grille anti-araignées/insectes se détériore ou ne peut pas être nettoyée, veuillez entrer en contact avec le Représentant du Service clientèle le plus proche à l'aide des coordonnées à votre disposition sur notre site Internet. Connectez-vous sur www.weber.com.

Aspect des Flammes du Brûleur

Les brûleurs du barbecue à gaz Weber® ont été paramétrés en usine pour recevoir le mélange d'air et de gaz correct. L'aspect correct de la flamme est présenté sur l'illustration et décrit ci-dessous :

- A) Tube du brûleur (1)
 B) Les extrémités flambaient de temps en temps en jaune (2)
 C) Bleu clair (3)
 D) Bleu foncé (4)

Si les flammes ne semblent pas uniformes tout au long du tube du brûleur, suivez les procédures de nettoyage du brûleur. ♦



⚠ ATTENTION: This product has been safety tested and is only certified for use in a specific country. Refer to country designation located on outer carton.

These parts may be gas carrying or gas burning components. Please contact Weber-Stephen Products LLC, Customer Service Department for genuine Weber-Stephen Products LLC replacement part(s) information.

⚠ WARNING: Do not attempt to make any repair to gas carrying, gas burning, igniter components or structural components without contacting Weber-Stephen Products LLC, Customer Service Department. Your actions, if you fail to follow this Product Warning, may cause a fire, an explosion, or structural failure resulting in serious personal injury or death as well as damage to property.

⚠ ATENCIÓN: A este producto se le han realizado pruebas de seguridad y ha sido certificado para usarse en un país específico. Refiérase al país indicado en la parte externa del cartón de empaque.

Estas partes pueden ser componentes que transporten gas o lo quemen. Por favor póngase en contacto con el Departamento de Atención al Cliente de Weber-Stephen Products LLC para obtener información sobre las partes de repuesto Weber-Stephen Products LLC genuinas.

⚠ ADVERTENCIA: No trate de realizar reparación alguna a los componentes que transporten o quemen gas sin antes ponerse en contacto con el Departamento de Atención al Cliente de Weber-Stephen Products LLC. Si no llegase a acatar esta advertencia, sus acciones podrían causar un fuego o una explosión que resulte en lesiones personales serias o la muerte o daños a la propiedad.

⚠ ATTENTION : Ce produit a fait l'objet de tests de sécurité et est certifié pour une utilisation dans un pays particulier uniquement. Vérifiez la désignation de pays située sur le carton d'emballage.

Ces pièces peuvent contenir du gaz ou être des éléments dont la combustion produit du gaz. Veuillez consulter le Service clientèle de Weber-Stephen Products LLC pour des renseignements sur les pièces de rechange originales de Weber-Stephen Products LLC.

⚠ MISE EN GARDE : Ne tentez pas d'effectuer des réparations sur des éléments contenant du gaz ou sur des éléments dont la combustion produit du gaz sans contacter le service clientèle de Weber-Stephen Products LLC. Si vous ne suivez pas la présente Mise en garde relative au produit, vos actions risquent de provoquer un incendie ou une explosion entraînant des blessures physiques graves voire un décès ainsi que des dégâts matériels.



WEBER-STEPHEN PRODUCTS LLC

www.weber.com[®]

© 2011 Designed and engineered by Weber-Stephen Products LLC,
a Delaware limited liability company, located at 200 East Daniels Road, Palatine, Illinois 60067 U.S.A.
Printed in U.S.A.

© 2011 Diseñado por Weber-Stephen Products LLC,
una empresa de responsabilidad limitada de Delaware, ubicada en 200 East Daniels Road, Palatine, Illinois 60067 EE.UU.
Impreso en los EE.UU.

© 2011 Elaboré et conçu par Weber-Stephen Products LLC,
société à responsabilité limitée du Delaware, implantée au 200 East Daniels Road, Palatine, Illinois 60067 U.S.A.
Imprimé aux U.S.A.



THE WEBER® GAS GRILL COOKBOOK

16 great recipes, 1 great grill

LE LIVRE DE RECETTE, POUR BARBECUE A GAZ WEBER®

16 recettes merveilleux, 1 gril fantastique

LIBRO DE COCINA PARA BARBACOAS Ó ASADORES DE GAS DE WEBER®

16 grandiosas recetas, 1 gran barbacoa ó asador



CONTENTS

Thank you for choosing Weber! We hope you enjoy many years of faithful service from your grill. We're pleased to present you with this cookbook full of Weber's tried-and-true grilling recipes. Each recipe in this book includes the grilling method and heat setting to use on your Weber® gas grill. The charts in this book will be a helpful, easy reference.

If these recipes whet your appetite for more, visit our web site at www.weber.com®. We're always serving up something new. Or call us on our toll-free number, 1-800-446-1071. Our customer service center is open around-the-clock to answer all your questions. Best wishes and happy grilling!

WEBER GRILLING BASICS: WHAT YOU NEED TO KNOW

All good cooks have a few secrets they like to keep to themselves. Not us—we like to share them! We think the keys to our success should be yours as well. Here's the inside scoop to help you get the best results:

To start your gas grill: Open the lid. Check that all burner control knobs are turned to OFF and that your fuel tank is not empty. Turn the gas supply on at the source. Light the grill according to the directions in the owner's manual. Close the lid and preheat the grill until the thermometer reaches

500°F to 550°F. This will take about 10 minutes. To grill, adjust burner controls as the recipe directs.

Grilling temperatures: At the top of each recipe, we indicate the requisite cooking method (direct or indirect) and temperature level (high, medium, or low). Note that a grill set up for indirect cooking can accommodate both methods (just move the food directly over the fire for direct cooking). Where searing is particularly important to the texture or flavor, we note that as well (e.g., Sear: High, Cook: Indirect Medium).

Keep the lid down! Without a doubt, the most important grilling rule. Lifting the lid allows heat to escape, increasing your grilling time. A closed lid also reduces the chance of flare-ups (and closing the lid extinguishes them quickly). Open the grill only to turn foods as indicated in the recipes. More poking and flipping won't make it taste better, trust us.

GRILLING & FOOD SAFETY

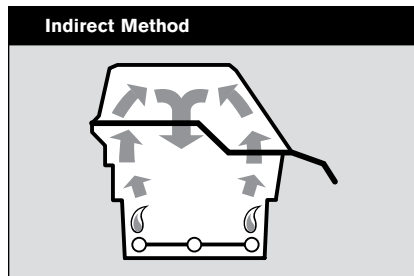
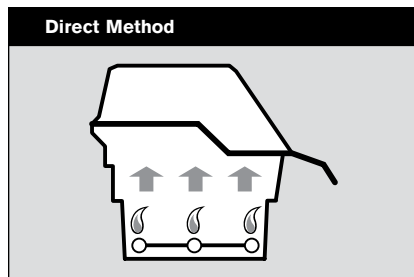
- » Trim excess fat from steaks, chops and roasts, leaving no more than a scant 1/4 inch of fat. Less fat is a virtual guarantee against unwanted flare-ups.
- » If an unwanted flare-up should occur, turn all burners to OFF and move food to another area of the cooking grate. Any flames will quickly subside. After flames

subside, relight the grill. NEVER USE WATER TO EXTINGUISH FLAMES ON A GAS GRILL.

- » Do not line the funnel-shaped bottom tray with foil. This could prevent the grease from flowing into the grease catch pan.
- » Make sure the bottom tray and grease catch pan are always clean and free from debris.
- » Grills radiate a lot of heat, so always keep the grill at least 2 feet from any combustible materials, including the house, garage, deck rails, etc. Never use a grill indoors or under a covered patio.
- » When you're finished grilling, turn off the burners and the LP tank or source.
- » Wash hands thoroughly with hot, soapy water before starting any meal preparation and after handling fresh meat, fish, and poultry.
- » Defrost meat, fish, and poultry only in the refrigerator, never at room temperature.
- » Never spray or brush oil on a hot cooking grate. Oil the food instead.
- » Never place cooked food on the same platter that the raw food was placed on.
- » Vigorously boil marinades that were used for raw meats, fish, or poultry for 10 seconds before using as a baste or sauce.

GRILLING METHODS

The most important thing to know about grilling is which cooking method to use for a specific food, direct or indirect. The difference is simple: place the food directly over the heat, or arrange the heat on either side of it. Using the right method is the shortest route to great results—and the best way to ensure doneness safety.



Direct Method

The direct method, similar to broiling, means the food is grilled directly over the heat source. For even grilling, food should be turned once.

The direct method is best for relatively small, tender pieces of food that cook quickly, such as hamburgers, steaks, chops, boneless chicken pieces, fish fillets, shellfish, and sliced vegetables. Direct grilling is also necessary to sear meats. Searing creates that wonderful crisp, caramelized texture where the food hits the grate. It also adds great color and flavor to the entire surface. Steaks, chops, chicken breasts, and larger cuts of meat all benefit from searing.

To sear meats, place them over direct high heat for 2 to 5 minutes per side. Smaller pieces require less searing time. Usually after searing you finish grilling the food at a lower temperature. You can finish grilling fast-cooking foods by the direct method; use the indirect method for longer-cooking foods.

To set up your gas grill for direct grilling, preheat the grill with all burners on high. Place food on the cooking grate, then adjust all burners to the temperature noted in the recipe. Close the lid of the grill and lift it only to turn food or to test for doneness at the end of the recommended cooking time.

Indirect Method

The indirect method is similar to roasting, but with the added benefits of that grilled texture, flavor, and appearance you can't get from an oven. To set up your gas grill for indirect cooking, burners are lit on either side of the food but not directly beneath it. Heat rises, reflects off the lid and inside surfaces of the grill, and circulates to slowly cook the food evenly on all sides, much like a convection oven, so there's no need to turn the food.

The indirect method is best for larger, tougher foods that require longer cooking times, such as roasts, whole chickens, and ribs.

To set up your gas grill for indirect grilling, preheat the grill with all burners on high. Then adjust the burners on each side of the food to the temperature noted in the recipe and turn off the burner(s) directly below the food. For best results, place roasts, poultry, or large cuts of meat on a roasting rack set inside a disposable heavy-gauge foil pan. For longer cooking times, add water to the drip pan to keep drippings from burning. The drippings can be used to make gravies or sauces.



Three-Pepper Steak

THREE-PEPPER STEAK

Sear: High, Cook: Indirect High

- 6 steaks, about 1-1/2" thick
- 2 teaspoons black peppercorns
- 2 teaspoons white peppercorns
- 2 teaspoons Szechwan peppercorns
- 1/8 teaspoon ground allspice

Trim excess fat from steaks and discard fat. Coarsely crush peppercorns; mix peppercorns and allspice. Rub peppercorn mixture onto both sides of steaks. Refrigerate steaks, covered, 1 to 2 hours. Allow the meat to stand at room temperature for 20 to 30 minutes before grilling. Sear steaks over **direct high** heat for 4 minutes, turning once. Continue grilling over **indirect medium** heat for 6 to 8 minutes for medium-rare doneness. Remove from the grill and let rest for 3 to 5 minutes. Serve warm.

Makes 6 servings.



MARINATED FLANK STEAK

Direct Medium-High

For the marinade:

- 1/2 cup olive oil
- 1/3 cup soy sauce
- 1/4 cup red wine vinegar
- 2 tablespoons lemon juice
- 1 tablespoon Worcestershire sauce
- 1 teaspoon dry mustard
- 1 clove garlic, minced
- 1/4 teaspoon freshly ground black pepper

- 1 flank steak,
about 1-1/2 pounds and 3/4" thick

To make the marinade: Combine marinade ingredients in a shallow, non-metal container. Place steak in marinade turning to coat completely. Marinate covered in the refrigerator for at least 4 hours or overnight.

Remove steak from marinade and discard the marinade. Allow the steak to stand at room temperature for 20 to 30 minutes before grilling. Grill over **direct medium-high** heat until medium rare, 8 to 10 minutes, turning once. Remove from the grill and let rest for 3 to 5 minutes. Cut steak diagonally across the grain into thin slices before serving.

Makes 4 servings.



SAVORY HERBED STEAK

Sear: High, Cook: Indirect High

- 4 steaks, about 1-1/2" thick
- Extra-virgin olive oil
- 1-1/2 teaspoons dried basil leaves
- 1 teaspoon dried tarragon leaves
- 1 teaspoon dried chives
- 4 cloves garlic, minced

Trim excess fat from steaks and discard fat. Brush or spray steaks on both sides with oil. Combine herbs and garlic; mash with fork to form a paste. Rub herb mixture onto both sides of steaks. Refrigerate steaks, covered, 1 to 2 hours. Allow the meat to stand at room temperature for 20 to 30 minutes before grilling. Sear steaks over **direct high** heat for 4 minutes, turning once. Continue grilling over **indirect medium** heat for 6 to 8 minutes for medium-rare doneness. Remove from the grill and let rest for 3 to 5 minutes. Serve warm.

Makes 4 servings.



BABY BACK RIBS WITH SPICED APPLE-CIDER MOP

Indirect Low
from *Weber's Big Book of Grilling™*

For the mop:

- 2 cups apple cider
- 1/4 cup minced shallots
- 1 tablespoon minced jalapeño pepper, seeds removed
- 1/4 cup ketchup
- 2 tablespoons white wine vinegar
- 2 tablespoons tomato paste
- 1 tablespoon dark brown sugar
- 1/4 teaspoon kosher salt
- 1/4 teaspoon freshly ground black pepper

- 2 to 3 slabs baby back pork ribs, about 4 pounds
- Kosher salt
- Freshly ground black pepper

To make the mop: In a small saucepan combine the apple cider, shallots, and jalapeño. Bring to a boil and cook over medium-high heat until about 1 cup of the liquid remains, 15 to 20 minutes. Add the remaining mop ingredients, bring to a boil, and remove from the heat. (The mop may be made ahead and refrigerated until ready to use.)

Allow the ribs to stand at room temperature for 20 to 30 minutes before grilling. Season with salt and pepper. Grill, rib side down, over **indirect low** heat until the meat is very



Baby Back Ribs with Spiced Apple-Cider Mop

tender and has pulled back from the ends of the bones, 1-1/2 to 2 hours. Baste the ribs frequently with the mop throughout grilling time, but stop basting during the last 10 minutes. Remove from the grill and allow to rest for 5 to 10 minutes before slicing into individual ribs. Serve warm.

Makes 4 servings.





Spicy Lamb Kabobs

SPICY LAMB KABOBS

Direct Medium

For the marinade:

- 1/2 cup olive oil
- 1/4 cup red wine vinegar
- 1 tablespoon lemon juice
- 2 tablespoons grated orange rind
- 1 green onion and top, chopped
- 1/4 teaspoon ground cinnamon
- 1/8 teaspoon ground cloves

- 2 pounds lean lamb,
cut into 1-1/2" cubes

To make the marinade: Combine the marinade ingredients in a shallow, glass baking dish or plastic bag. Add the lamb. Refrigerate, covered, 4 to 6 hours. Drain lamb; reserve marinade. Pour reserved marinade into a small sauce pan. Bring to a boil over high heat and boil for 10 seconds.

Arrange lamb on 4 to 6 skewers. Grill lamb over **direct medium** heat to medium doneness, about 10 minutes, turning and basting with the reserved marinade once. Serve warm.

Makes 4 to 6 servings.



LEG OF LAMB

Indirect Medium

- 1 leg of lamb, boned, rolled and tied,
5 to 6 pounds
- 2 cloves garlic, cut into 8 slivers
- Olive oil
- 1 tablespoon grated lemon peel
- 3/4 teaspoon salt
- 1 teaspoon dried rosemary leaves
- 1/4 teaspoon freshly ground black pepper

Using a small pointed knife make 8 small slits in surface of leg of lamb. Insert a sliver of garlic into each slit. Brush roast with oil. Sprinkle lemon peel, salt, rosemary, and pepper over top. Grill over **indirect medium** heat, about 2-1/2 hours, for medium doneness 160°F (71°C). Remove from the grill and let rest for 5 to 10 minutes. Remove the twine. Cut the lamb crosswise into 1/4-inch slices and serve warm.

Makes 10 to 12 servings.



RACK OF LAMB

Sear: Medium, Cook: Indirect Medium

- 1 cup fresh bread crumbs
- 1/4 cup snipped parsley
- 1/2 teaspoon salt
- 1/4 teaspoon freshly ground black pepper

- 2 racks of lamb, 1 to 1-1/2 pounds each
- 2 tablespoons Dijon mustard
- 2 tablespoons melted butter
- 1 clove garlic, crushed

In a small bowl combine the bread crumbs, parsley, salt, and pepper.

Allow the lamb to stand at room temperature 20 to 30 minutes before grilling. Sear lamb racks, fat side down, over **direct medium** heat for 5 minutes. Remove from grill. Spread 1 tablespoon of the mustard over each lamb rack. Sprinkle the bread crumb mixture evenly over the lamb racks. Combine melted butter and garlic and drizzle on top. Continue grilling over **indirect medium** until medium rare, 145°F (63°C), about 20 minutes. Remove from the grill and let rest for 5 minutes before cutting into chops. Serve warm.

Makes 4 servings.



PECAN-STUFFED PORK CHOPS

Sear: Direct High, Cook: Indirect Medium

For the stuffing:

- 1/2 cup coarsely chopped pecans
- 1/4 cup sliced green onions and tops
- 1/4 cup chopped green pepper
- 3 tablespoons butter
- 1/4 teaspoon dried rosemary leaves
- 1/8 teaspoon white pepper
- 2 cups cubed stale whole wheat bread (1/2" cubes)
- 1/3-1/2 cup chicken broth

- 6 pork loin chops with pockets for stuffing, 1-1/2" thick

To make the stuffing: In a small frying pan, sauté pecans, onions and green pepper in butter until onions are tender; stir in rosemary and pepper and sauté 1 minute longer. Combine pecan mixture and bread cubes in medium bowl; toss with enough chicken broth just to moisten.

Spoon stuffing into pockets of pork chops and secure edges with wooden picks. Allow chops to stand at room temperature for about 20 minutes before grilling. Sear chops over **direct high** heat for 6 minutes, turning once. Continue grilling over **indirect medium** heat until no longer pink in the center, 12 minutes turning once. Remove from the grill and let rest for 3 to 5 minutes.



Rack of Lamb

Remove wooden picks before serving.

Makes 6 servings.





Ricotta Chicken

RICOTTA CHICKEN

Indirect Medium

- 1 whole chicken, 4 to 5 pounds
- 12 ounces ricotta cheese
- 1/3 cup grated Parmesan cheese
- 1 egg
- 1-1/4 teaspoon dried basil leaves, divided
- 3/4 teaspoon dried tarragon leaves, divided
- 2 tablespoons minced parsley

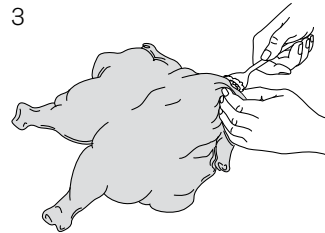
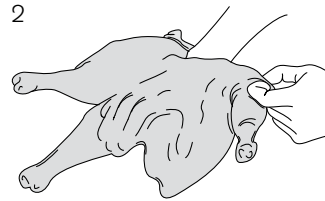
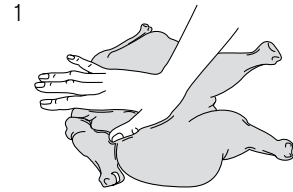
- 1 large clove garlic, minced
- Olive oil
- 1/4 teaspoon paprika

With poultry shears, cut along both sides of backbone the entire length of chicken. Remove whole backbone and tail. Skewer neck skin to back. Twist wing tips under back.

1. Place chicken, skin side up, on counter; press down on chicken with palms of hands to “pop” bones so that chicken will lie flat. **2.** Using a sharp paring knife and your fingers, loosen skin over top of chicken and drumsticks starting at neck edge. Be careful not to tear or cut the skin. Mix ricotta, Parmesan cheese, egg, 1 teaspoon of the basil, 1/2 teaspoon of the tarragon, parsley, and garlic. **3.** Carefully spoon cheese mixture under skin of chicken, pressing with your fingers to distribute evenly over the chicken and drumsticks. Brush chicken lightly with oil; sprinkle with the remaining 1/4 teaspoon basil, 1/4 teaspoon tarragon, and the paprika.

Place chicken, skin side up, on cooking grate. Grill over **indirect medium** heat until chicken legs move easily and skin is well browned, 1-1/4 to 1-1/2 hours. Transfer chicken to a cutting board; rest for 10 minutes. Cut into quarters, cutting lengthwise and crosswise. Reassemble chicken on serving platter.

Makes 4 servings.



CHICKEN FAJITAS

Direct Medium

For the marinade:

- 1/4 cup olive oil
 - 3 tablespoons fresh lime juice
 - 2 tablespoons red wine vinegar
 - 2 tablespoons finely chopped onion
 - 1 clove garlic, minced
 - 1/2 teaspoon sugar
 - 1/2 teaspoon dried oregano leaves
 - 1/4 teaspoon salt
 - 1/4 teaspoon freshly ground black pepper
 - 1/8 teaspoon ground cumin
-
- 6 boneless, skinless chicken breast halves, about 6 ounces each
 - 1 red onion, cut into 1/2" slices
 - 4 plum tomatoes, cut into 1/2" slices
 - 1 red or yellow bell pepper, stem and seeds removed and cut into quarters
 - 6 large flour tortillas
 - 1 avocado, sliced
- Salsa

To make the marinade: In a shallow, non-metal container combine the marinade ingredients. Add chicken to the marinade, turning to coat each side. Cover and refrigerate for 4 hours, turning occasionally.

Remove chicken breasts from the marinade and discard the marinade. Grill the chicken breasts, onion slices, tomato slices, and bell pepper quarters over **direct medium** heat until the meat is no longer pink and the vegetables are tender, turning once. The chicken and onion will take 8 to 12 minutes and the tomato and bell pepper will take 6 to 8 minutes. Wrap tortillas in foil and place on cooking grate. Heat for about 1 minute. Cut the bell pepper into strips and slice the chicken. Place chicken, onion, tomatoes, bell pepper and avocado in warm tortillas and roll up to eat. Serve with salsa.

Makes 6 servings.



Chicken Fajitas



Weber Tip

If a sauce will be brushed on meat during grilling, divide the sauce, using one part for brushing and the other for serving at the table. Vigorously boil marinades that were used for raw meats, fish, or poultry for 10 seconds before using as a baste or sauce.



Sea Bass with Roasted Pepper Vinaigrette

SEA BASS WITH ROASTED PEPPER VINAIGRETTE

Direct High
from www.weber.com®

For the vinaigrette:

- 3 bell peppers, preferably red, yellow, and orange
- 3 tablespoons extra-virgin olive oil
- 2 tablespoons fresh orange juice
- 2 tablespoons finely chopped Italian parsley
- 1 tablespoon fresh lemon juice
- 1/2 teaspoon minced garlic
- 1/2 teaspoon ground cumin
- 1/4 teaspoon kosher salt
- 1/4 teaspoon freshly ground black pepper
- 1/4 teaspoon Tabasco sauce

- 4 skinless sea bass fillets, about 6 ounces each and 1 inch thick
- Extra-virgin olive oil
- Kosher salt
- Freshly ground black pepper

To make the vinaigrette: Grill the bell peppers over **direct high** heat until the skins are evenly charred on all sides, 10 to 12 minutes, turning every 3 to 4 minutes. Remove from the grill and place in a paper bag; close tightly. Let stand 10 to 15 minutes to steam off the skins. Remove the peppers from the bag and peel away the charred skins. Cut off the tops and remove the seeds. Cut the

peppers into 1/4-inch strips and set aside. In a medium bowl, whisk together the remaining vinaigrette ingredients. Add the peppers and set aside for as long as 1 day.

Lightly brush or spray the fish fillets with olive oil. Season them with salt and pepper to taste. Grill over **direct high** heat until the flesh is opaque in the center, 5 to 7 minutes, turning once. Remove from the grill and serve warm with the roasted pepper vinaigrette spooned over the top.

Makes 4 servings.



SHRIMP KABOBS WITH CURRY BUTTER

Direct High

For the curry butter:

- 1/2 cup butter
- 2 tablespoons finely chopped onion
- 1 teaspoon snipped fresh dill
- 1 to 1-1/2 teaspoons curry powder
- Dash garlic powder

- 16 to 20 jumbo shrimp
(1-1/2 to 2 pounds),
peeled and deveined
- Olive oil
- Lime or lemon wedges
- Fresh dill or parsley sprigs

To make the curry butter: Melt the butter in a small pan over medium-high heat. Stir in onion, dill, curry powder, and garlic powder; cook 5 minutes.

Thread shrimp on skewers, leaving space between pieces. Lightly brush or spray the shrimp with olive oil. Grill over **direct high** heat until the shrimp turn pink and are tender, 2 to 5 minutes, turning and brushing with the curry butter once. Arrange shrimp on serving plate. Garnish with lime wedges and dill.

Makes 4 servings.



SALMON STEAK KYOTO

Direct High

For the marinade:

- 1/3 cup soy sauce
- 1/4 cup orange juice concentrate
- 2 tablespoons olive oil
- 2 tablespoons tomato sauce
- 1 teaspoon lemon juice
- 1/2 teaspoon prepared mustard
- 1 tablespoon spring onion and top,
minced
- 1 clove garlic, minced
- 1/2 teaspoon minced ginger root

- 4 salmon steaks, about 1" thick
- Olive oil

To make the marinade: In a shallow, glass baking dish, combine the marinade ingredients. Add the salmon and turn to coat each side. Cover and refrigerate 30 to 60 minutes. Remove the salmon and reserve the marinade. Pour the reserved marinade into a small saucepan. Bring to a boil over high heat and boil for 10 seconds.

Lightly brush or spray the steaks all over with the oil. Grill over **direct high** heat until cooked to desired doneness, 6 to 8 minutes



Salmon Steak Kyoto

for medium-rare, turning once (make sure you leave the salmon grilling long enough on the first side so that it releases from the grate and is easy to turn). Serve warm.

Makes 4 servings.





Roasted Tomatoes Stuffed with Ratatouille

ROASTED TOMATOES STUFFED WITH RATATOUILLE

Direct Medium
from www.weber.com®

- 4 large, ripe tomatoes
- Kosher salt

For the stuffing:

- 1 medium red onion, cut crosswise into 1/3-inch slices
- 1 medium red bell pepper, stem and seeds removed, cut into flat pieces
- 1 medium zucchini, cut lengthwise in 1/3-inch slices
- Extra-virgin olive oil
- Freshly ground black pepper
- 2/3 cup grated mozzarella cheese
- 1 tablespoon finely chopped fresh basil
- 1 teaspoon balsamic vinegar

Cut a 1/2-inch slice off the top of each tomato. Discard the tops. With a small knife cut around the inside of the fleshy part of the tomato (do not cut through the bottom of the tomato) to within 1/2 inch of the skin. With a teaspoon, scoop out the tomato flesh, leaving about 1/2 inch of flesh attached to the skin. Discard the juice and seeds to make room for the stuffing. Lightly salt the inside of the tomatoes and turn them, cut side down, on a plate lined with paper towels while you prepare the stuffing.

To make the stuffing: Lightly brush or spray the onion, pepper, and zucchini with olive oil. Season with salt and pepper to taste. Grill over **direct medium** heat until tender, turning once. The onions will take 8 to 10 minutes. The peppers and zucchini will take 6 to 8 minutes. Transfer to a cutting board and cut into 1/3-inch pieces. In a medium bowl, combine the grilled vegetables with the cheese, basil, and vinegar.

Spoon the vegetable stuffing into the tomatoes. Grill the tomatoes over **indirect medium** heat until the cheese is melted and the vegetables are warm, 8 to 12 minutes. Serve immediately.

Makes 4 servings.



GRILLED STUFFED POTATOES

Indirect Medium

- 3 large baking potatoes
- 3 tablespoons softened butter or margarine
- 2 egg yolks
- 1/2 cup sour cream
- 1 tablespoon snipped chives
- 3/4 teaspoon salt
- 2 tablespoons grated sharp cheddar cheese
- 1/4 cup broccoli flowerets

Wash and dry potatoes. Prick potatoes with fork. Grill over **indirect medium** heat until done, about 1 hour. Halve potatoes lengthwise. Carefully scoop out pulp, reserving 6 shells. Mash potatoes with butter while still hot. Blend egg yolks and sour cream; mix with potatoes, chives and salt. Mound mixture into reserved shells.

Grill stuffed shells over **indirect medium** heat until potatoes are heated through, about 10 minutes. Top each potato with cheese and continue to grill until cheese has melted. Garnish top with cooked broccoli flowerets before serving.

Makes 6 servings.



PARADISE GRILLED

Indirect Medium
from *Weber's Big Book of Grilling™*

For the glaze:

- 3/4 cup fresh orange juice
- 1 tablespoon honey
- 1 tablespoon fresh lime juice
- 2 teaspoons cornstarch

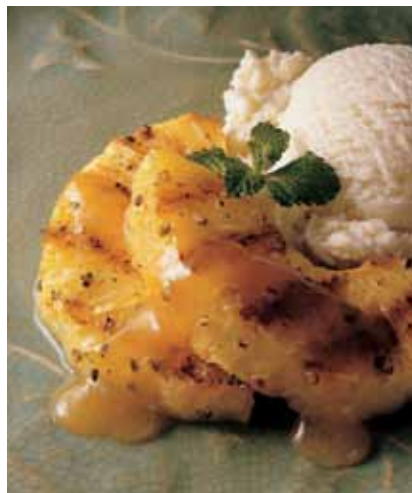
- 4 slices fresh pineapple, about 1/2 inch thick each
- 1 teaspoon cracked dried green peppercorns or cracked black peppercorns

- 4 scoops vanilla ice cream

To make the glaze: In a small saucepan combine the glaze ingredients and whisk until smooth. Bring to a boil over medium-high heat and cook until thickened, 1 to 2 minutes. Keep the glaze warm or reheat when ready to serve.

Season both sides of the pineapple slices with the peppercorns. Grill over **indirect medium** heat until well marked, 6 to 8 minutes, turning once. Serve each pineapple slice with a scoop of ice cream and some of the glaze drizzled over the top.

Makes 4 servings.



Paradise Grilled



GRILLING GUIDE

The following cuts, thicknesses, weights, and grilling times are meant to be guidelines rather than hard and fast rules. Cooking times are affected by such factors as altitude, wind, outside temperature, and desired doneness. Two rules of thumb: Grill steaks, fish fillets, boneless chicken pieces, and vegetables

using the direct method for the time given on the chart or to the desired doneness, turning once. Grill roasts, whole poultry, bone-in poultry pieces, whole fish, and thicker cuts using the indirect method for the time given on the chart or until an instant-read thermometer reaches the desired internal

temperature. Cooking times for beef are for the USDA's definition of medium-rare doneness unless otherwise noted. Let roasts, larger cuts of meat, and thick chops and steaks rest for 5 to 10 minutes before carving. The internal temperature of the meat will rise by 5 to 10 degrees during this time.

Beef	Thickness/Weight	Approximate Grilling Time
Steak: New York, porterhouse, rib-eye, T-bone, or tenderloin	3/4 inch thick	4 to 6 minutes direct high
	1 inch thick	5 to 8 minutes; sear 4 to 6 minutes direct high, grill 1 to 2 minutes indirect high
	1-1/2 inches thick	10 to 14 minutes; sear 6 to 8 minutes direct high, grill 4 to 6 minutes indirect high
Flank steak	1-1/2 to 2 pounds, 3/4 inch thick	8 to 10 minutes direct high
Ground beef patty	3/4 inch thick	8 to 10 minutes direct high

Pork	Thickness/Weight	Approximate Grilling Time
Chop, boneless or bone-in:	3/4 inch thick	6 to 8 minutes direct high
	1 inch thick	8 to 10 minutes direct medium
Ribs, baby back	1-1/2 to 2 pounds	3 to 4 hours indirect low
Ribs, spareribs	2-1/2 to 3-1/2 pounds	3 to 4 hours indirect low
Ribs, country-style, bone-in	3 to 4 pounds	1-1/2 to 2 hours indirect medium

Poultry	Thickness/Weight	Approximate Grilling Time
Chicken breast, boneless, skinless	6 to 8 ounces	8 to 12 minutes direct medium
Chicken thigh, boneless, skinless	4 ounces	8 to 10 minutes direct high
Chicken breast, bone-in	10 to 12 ounces	30 to 40 minutes indirect medium
Chicken pieces, bone-in leg/thigh		30 to 40 minutes indirect medium
Chicken wing	2 to 3 ounces	18 to 20 minutes direct medium
Chicken, whole	3-1/2 to 4-1/2 pounds	1 to 1-1/2 hours indirect medium
Cornish game hen	1-1/2 to 2 pounds	50 to 60 minutes indirect high
Turkey, whole, unstuffed	10 to 12 pounds	2-1/2 to 3-1/2 hours indirect low
	13 to 15 pounds	3-1/2 to 4-1/2 hours indirect low

Fish & Seafood	Thickness/Weight	Approximate Grilling Time
Fish, fillet or steak	1/4 to 1/2 inch thick	3 to 5 minutes direct high
	1 to 1-1/4 inches thick	10 to 12 minutes direct high
Fish, whole	1 pound	15 to 20 minutes indirect medium
	3 pounds	30 to 45 minutes indirect medium
Note: General rule for grilling fish: 4 to 5 minutes per 1/2 inch thickness; 8 to 10 minutes per 1 inch thickness.		

Vegetables	Approximate Grilling Time
Asparagus 1/2 inch diameter	6 to 8 minutes direct medium
Corn, in husk / husked	25 to 30 minutes direct medium / 10 to 15 minutes direct medium
Mushroom, shiitake or button / portabello	8 to 10 minutes direct medium / 10 to 15 minutes direct medium
Onion, halved / 1/2-inch slices	35 to 40 minutes indirect medium / 8 to 12 minutes direct medium
Potato, whole / 1/2-inch slices	45 to 60 minutes indirect medium / 14 to 16 minutes direct medium

CONTIENTS

Merci d'avoir choisi Weber! Nous espérons que vous profiterez de votre barbecue pendant de nombreuses années. Nous sommes heureux de vous présenter ce livre rempli de recettes de cuisson au barbecue que Weber a essayées pour vous. Bien à vous et joyeuse cuisson au barbecue!

NOTIONS DE BASE WEBER POUR GRILLADES

La méthode de cuisson et le réglage de température préconisés pour votre barbecue à gaz Weber® sont inclus dans chaque recette. Les tableaux du livre sont faciles et rapides à consulter.

Cuisson À Couvert: Toutes les grillades sont effectuées à couvercle fermé pour garantir une circulation égale et uniforme de la chaleur. Lorsque le couvercle est fermé, le fonctionnement du barbecue à gaz Weber® ressemble beaucoup à celui du four à convection. Le thermomètre du couvercle indique la température de cuisson à l'intérieur du barbecue et peut servir à vérifier la température à cœur des viandes pour obtenir le degré de cuisson recherché. Il est fortement conseillé de préchauffer et de griller en gardant le couvercle fermé. Inutile de jeter un coup d'œil à l'intérieur — chaque fois que vous ouvrez le couvercle, vous perdez de la chaleur.

Préchauffer: Il est essentiel de préchauffer le barbecue avant de faire griller la viande. Allumez votre barbecue à gaz Weber® en

suivant les instructions de votre Guide de l'utilisateur. Fermez le couvercle et attendez que le thermomètre intégré au couvercle atteigne 260°-288°C. Selon la température extérieure, 10 à 15 minutes suffisent pour préchauffer le barbecue.

Système Flavorizer®: Lorsque les jus de viandes s'écoulent sur les barres Flavorizer® à angle spécial, ils génèrent une fumée qui donne aux aliments la saveur irrésistible des grillades sur charbon de bois. Grâce à la conception unique des brûleurs, des barres Flavorizer® et des commandes de température pratiques, les flambées inattendues sont pour ainsi dire éliminées, parce que VOUS maîtrisez les flammes. À cause de la conception spéciale des brûleurs et des barres Flavorizer®, l'excès de gras est acheminé vers la lèchefrite à travers le plateau inférieur en forme d'entonnoir.

CONSEILS UTILES POUR RÉUSSIR VOS GRILLADES

- » Retirer l'excès de gras des biftecks, côtelettes et rôtis pour ne laisser que 1/2 cm à peine. Moins de gras facilite le nettoyage des grilles et réduit le risque de flambée soudaine indésirable.
- » En cas de flambées indésirables, éteindre tous les brûleurs et déplacer les aliments vers une autre zone de la grille de cuisson. Les flammes s'éteindront rapidement. Une fois les flammes disparues, rallumer le barbecue. NE JAMAIS UTILISER DE L'EAU POUR ÉTEINDRE DES FLAMMES SUR UN BARBECUE À GAZ.

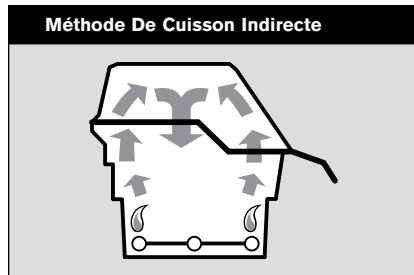
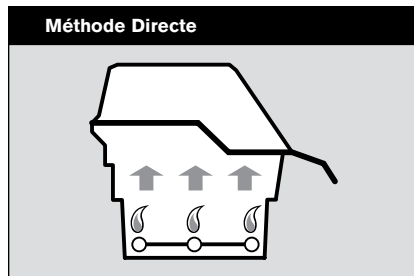
- » Ne pas recouvrir le plateau inférieur à forme d'entonnoir de feuille d'aluminium. Cela pourrait empêcher les gras de s'écouler vers la lèchefrite.
- » S'assurer toujours que le plateau inférieur et la lèchefrite soient propres et ne contiennent aucun déchet.
- » La température de votre barbecue à gaz Weber® pourrait être plus chaude que la normale les premières fois.
- » Bien se laver les mains à l'eau chaude et savonneuse avant de préparer un repas et après avoir manipulé de la viande, de la volaille et du poisson frais.
- » Ne jamais décongeler la viande à température ambiante ou sur le comptoir.
- » Ne jamais placer des aliments cuits dans le même plat où les aliments crus se trouvaient auparavant.

MÉTHODES DE CUISSON AU BARBECUE

La chose la plus importante qu'il faut retenir à propos de la cuisson au barbecue, c'est quelle méthode de cuisson, directe ou indirecte, il faut utiliser pour différents aliments. La différence est bien simple: placez les aliments directement au-dessus de la source de chaleur, ou assurez-vous que les sources de chaleur soient de part et d'autre des aliments. Si vous utilisez la bonne méthode, vous obtiendrez d'excellents résultats et vos aliments seront cuits à point, et donc sécuritaires à manger.

Méthode Directe

La méthode directe, similaire à la cuisson au grilloir, permet de griller l'aliment directement au-dessus de la source de chaleur. Pour une cuisson égale, l'aliment ne doit être tourné qu'une seule fois à mi-cuisson. La méthode directe est conseillée pour les aliments qui grillent en moins de 25 minutes: biftecks, côtelettes, brochettes, saucisses, légumes et bien d'autres encore. Cette méthode est également nécessaire pour saisir les viandes. Une viande saisie permet d'obtenir cette merveilleuse texture croustillante et



caramélisée à la surface de l'aliment en contact avec le grill. Elle permet également de lui donner une belle couleur et de rehausser sa saveur. Les biftecks, côtelettes, poitrines de poulet et coupes de viande plus grandes gagnent à être saisis. Pour saisir les viandes, on les grille 2 à 5 minutes de chaque côté directement au-dessus d'une source de chaleur intense. Les morceaux plus petits requièrent moins de temps pour être saisis. En général, une fois l'aliment saisi, le reste de la cuisson se poursuit à une température moins élevée. On peut continuer à faire griller les aliments à cuisson rapide par méthode directe; pour les aliments à cuisson lente il vaut mieux opter pour la méthode de cuisson indirecte. Pour adapter le barbecue à gaz aux grillades exigeant une chaleur directe, préchauffer le barbecue en réglant tous les brûleurs à High (puissance maximale). Placer l'aliment sur la grille de cuisson, régler ensuite tous les brûleurs à la température mentionnée dans la recette. Fermer le couvercle du barbecue et ne le soulever que pour retourner l'aliment ou vérifier la cuisson à la fin du temps de cuisson recommandé.

Méthode De Cuisson Indirecte

La méthode indirecte ressemble au rôtissage avec en prime les avantages d'une texture, d'une saveur et d'un aspect propres aux grillades sur charbon de bois qu'un four ne pourra jamais offrir. On prépare le barbecue à la méthode de cuisson indirecte en n'allumant que les brûleurs à gaz des deux côtés de l'aliment, mais jamais celui directement

au-dessous. La chaleur monte, se réfléchit sur le couvercle et les surfaces intérieures du barbecue et circule pour cuire l'aliment lentement et uniformément de tous les côtés, tout comme un four à convection, il n'est donc pas nécessaire de retourner la viande. Cette méthode est recommandée pour les aliments exigeant un temps de cuisson d'au moins 25 minutes ou ceux si délicats qu'une exposition directe aux flammes pourrait dessécher ou brûler. Parmi ceux-là, on compte les rôtis, les côtes, les poulets entiers, les dindes et autres grandes coupes de viande, ainsi que les filets de poisson plus délicats. Pour adapter un barbecue à gaz à la méthode indirecte, il est nécessaire de le préchauffer en réglant tous les brûleurs à High (puissance maximale). On règle ensuite les brûleurs latéraux à la température mentionnée dans la recette et on éteint le brûleur directement au-dessous de l'aliment. Pour de meilleurs résultats, il est conseillé de placer les rôtis, la volaille ou les grandes coupes de viande dans une barquette d'aluminium épaisse et jetable sur la rôtissoire. Lorsque des temps de cuisson plus longs sont nécessaires, ajouter de l'eau à la barquette pour empêcher les graisses qui s'écoulent de brûler. Ces graisses peuvent servir à préparer des sauces.



Biftecks Aux Trois Poivres

BIFTECKS AUX TROIS POIVRES

Saisir à feu vif, cuire à chaleur Indirecte Moyenne

- 6 biftecks, d'une épaisseur de 4 cm environ
- 2 cuillers à thé (4g) de grains de poivre noir
- 2 cuillers à thé (4g) de grains de poivre blanc
- 2 cuillers à thé (4g) de grains de poivre séchuanais
- 1/8 cuiller à thé (0,5g) de piment de Jamaïque moulu

Découper l'excédent de gras et le jeter. Concasser grossièrement les grains de poivre, mélanger les grains de poivre et le piment de Jamaïque. Frotter les deux côtés des biftecks du mélange obtenu. Couvrir et réfrigérer les biftecks pendant 1 à 2 heures après les avoir frottés avec le mélange poivré. Laisser reposer la viande à température ambiante de 20 à 30 minutes avant de faire griller. Saisir les biftecks à feu vif direct pendant 4 minutes, en les retournant à mi-cuisson. Continuer à cuire à chaleur moyenne indirecte pendant 6 à 8 minutes pour une cuisson à point.

Donne 6 portions.



BIFTECK DE FLANC MARINÉ

Directe Moyenne

Ingrédients de la marinade:

- 1/2 tasse (125 ml) d'huile de cuisson
- 1/3 tasse (80 ml) de sauce soya
- 1/4 tasse (60 ml) de vinaigre de vin rouge
- 2 cuillers à table (20 ml) de jus de citron
- 1 cuiller à table (10 ml) de sauce Worcestershire
- 1 cuiller à thé (5 g) de moutarde sèche gousse d'ail, finement hachée
- 1/4 cuiller à thé (0,5 g) de poivre

675 g de bifteck de flanc, d'une épaisseur de 2 cm environ

Mélanger les ingrédients de la marinade dans un récipient non métallique et peu profond. Placer le bifteck et le retourner pour l'enduire complètement de marinade. Couvrir et laisser mariner au réfrigérateur pendant au moins 4 heures ou toute la nuit. Retirer le bifteck de la marinade et jeter cette dernière. Laisser reposer à température ambiante de 20 à 30 minutes avant de faire griller. Faire griller chaque côté pendant 5 minutes de manière à ce que le bifteck soit doré de l'extérieur et mi-saignant au centre. Découper en tranches minces diagonalement dans le sens des fibres avant de servir.

Donne 4 portions.



BIFTECKS AUX FINES HERBES

Saisir à feu vif, cuire à chaleur Indirecte Moyenne

- 4 biftecks, d'une épaisseur de 4 cm environ
- 1-1/2 cuiller à thé (5 g) de basilic séché
 - 1 cuiller à thé (5 g) d'estragon séché
 - 1 cuiller à thé (5 g) de ciboulette séchée
- 4 gousses d'ail, hachées finement

Découper l'excédent de gras et le jeter. Mélanger les fines herbes et l'ail, écraser avec une fourchette pour former une pâte. Frotter les deux côtés des biftecks du mélange d'herbes. Couvrir et réfrigérer les biftecks pendant 1 à 2 heures. Laisser reposer la viande à température ambiante de 20 à 30 minutes avant de faire griller. Saisir les biftecks à feu vif direct pendant 4 minutes, en les retournant à mi-cuisson. Continuer à cuire à chaleur moyenne indirecte pendant 6 à 8 minutes pour une cuisson à point.

Donne 4 portions.



CÔTELETTES LEVÉES DU DOS AVEC UNE SAUCE AUX POMMES DE CIDRE ÉPICER

Indirecte Moyenne
de *Weber's Big Book of Grilling™*

Pour le sauce:

- 2 tasses de pomme de cidre
- 1/4 tasses d'échalotes haché
- 1 cuiller à table de piment jalapeño haché, graines enlevées
- 1/4 tasse de ketchup
- 2 cuillers à table de vinaigre au vin blanc
- 2 cuillers à table de pâte de tomate
- 1 cuiller à table de sucre brun foncé
- 1/4 cuiller à thé de sel
- 1/4 cuiller à thé de poivre fraîchement moulu

- 2 to 3 étals de côtelettes de levées, environ 4 livres
- sel
- poivres fraîchement moulu

Pour faire le sauce: Combiner dans une petite caserol le pomme de cidre, les échalotes et le piment jalapeño. Bouillir à une température moyenne haute pour 15 à 20 minutes, ou jusqu'au temps qu'il reste environ 1 tasse de liquide. Ajouter les autres ingrédients, les faire bouillir et les retirer du chaleur (le sauce peuvent être faite en avance et gardée réfrigérer jusqu'au temps qu'il est prêt à utilisée).



Côtelettes Levées Du Dos Avec Une Sauce Aux Pommes De Cidre Épicé

Laisser les côtelettes levées du dos reposer et sois à la température de sale pour 20 à 30 minutes avant de commencer à griller. Assaisonner avec le sel et le poivre. Les faire grilles, côtes en bas, à une température moyenne directe pour 1 à 2 heures, ou jusqu'à temps que la viande est tendre et commence à se defaire des cotés d'os. Arosé les côtes fréquement avec le sauce pendant le grillage mais arrêter pendant les derniers 10 minutes. Les retirer du grill et les laisser reposer pour 5 à 10 minutes avant de trancher les côtes individuelles. Servir chaude.

Donne 4 portions.





Brochettes D'agneau Épicées

BROCHETTES D'AGNEAU ÉPICÉES

Directe Moyenne

Marinade épicée à l'orange:

- 1/2 tasse (125 ml) d'huile d'olive ou de cuisson
- 1/4 tasse (60 ml) de vinaigre de vin rouge
- 1 cuiller à table (10 ml) de jus de citron
- 2 cuillers à table (12 g) de zeste d'orange râpé
- 1 oignon vert avec fane, haché
- 1/4 cuiller à thé (0,5 g) de cannelle moulue
- 1/8 cuiller à thé (0,25 g) de clous de girofle moulus

900 g d'agneau maigre,
coupées en cubes de 4 cm

Préparer la marinade épicée à l'orange:

Mélanger tous les ingrédients. Verser sur l'agneau placé dans un plat de cuisson en verre peu profond ou dans un sac en plastic. Couvrir et réfrigérer de 4 à 6 heures. Laisser égoutter l'agneau, réserver la marinade. Verser la marinade réservée dans un petit poêlon. Amener à ébullition à feu vif et laisser bouillir pendant 1 minute complète. Disposer l'agneau sur 4 à 6 brochettes en métal. Placer les brochettes sur la grille de cuisson, faire griller jusqu'au degré de cuisson recherché, environ 10 minutes pour une cuisson à point. Badigeonner les cubes de viande de la marinade pendant la cuisson.

Retourner les brochettes à mi-cuisson.

Donne 4 à 6 portions.



GIGOT D'AGNEAU

Indirecte Moyenne

- 1 gigot d'agneau, désossé, roulé et ficelé, 2,25 à 2,75 kg
- 2 gousses d'ail, coupées en huit fragments
- Huile de cuisson
- 1 cuiller à table (6 g) de zeste de citron râpé
- 3/4 cuiller à thé (4 g) de sel
- 1 cuiller à thé (1 g) de romarin séché
- 1/4 cuiller à thé (0,5 g) de poivre noir

Au moyen d'un couteau à petite lame, faire 8 petites entailles sur la surface du gigot d'agneau. Insérer un fragment d'ail dans chaque fente. Badigeonner le gigot d'huile. Saupoudrer de zeste de citron, de sel, de romarin et de poivre. Placer le gigot sur la grille de cuisson et cuire pendant environ 2-1/2 heures pour une cuisson à point à 71°C.

Donne 10 à 12 portions.



CARRÉ D'AGNEAU

Saisir à chaleur moyenne, cuire à chaleur Indirecte Moyenne

- 2 carrés d'agneau de 450 à 675 g chaque
- 2 cuillères à table (20 ml) de moutarde de Dijon
- 1 tasse (100 g) de chapelure de pain frais
- 1/4 tasse (60 g) de persil ciselé
- 1/2 cuiller à thé (3 g) de sel
- 1/4 cuiller à thé (0,5 g) de poivre fraîchement moulu
- 2 cuillères à table (20 ml) de beurre fondu
- 1 gousse d'ail, écrasée

Saisir les carrés d'agneau, côté gras vers le bas, à chaleur moyenne directe pendant 5 minutes. Retirer du barbecue. Étaler une cuiller à table (10 g) de moutarde sur chaque carré d'agneau. Dans un petit bol, mélanger la chapelure, le persil, le sel et le poivre. Saupoudrer uniformément sur les carrés d'agneau. Mélanger le beurre fondu et l'ail et verser sur le dessus. Continuer à cuire à chaleur indirecte et moyenne, jusqu'à cuisson mi-saignante, 63°C, environ 20 minutes.

Donne 4 portions.



CÔTELETTES DE PORC FARCIES AUX PACANES

Saisir à feu vif, cuire à chaleur Indirecte Moyenne

Farce aux pacanes:

- 1/2 tasse (50 g) de pacanes grossièrement hachées
- 1/4 tasse (40 g) d'oignons verts avec leurs fanes, tranchés
- 1/4 tasse (60 g) de poivre vert concassé
- 3 cuillères à table (30 g) de beurre
- 1/4 cuiller à thé (0,3 g) de romarin séché
- 1/8 cuiller à thé (0,25 g) de poivre blanc
- 2 tasses (60 g) de pain de blé complet rassis, coupé en dés – cubes de 1 cm
- 1/3-1/2 tasse (80 à 125 ml) de bouillon de poulet
- 6 côtelettes de filet de porc avec pochettes pour farce, 4 cm d'épaisseur

Préparer la farce aux pacanes: Dans un petit poêlon, faire revenir les pacanes, les oignons et le poivre vert dans du beurre jusqu'à ce que les oignons ramollissent; ajouter le romarin et le poivre et les faire revenir 1 minute de plus. Mélanger les cubes de pain au mélange de pacanes dans un bol de taille moyenne; ajouter suffisamment de bouillon de poulet pour humecter.



Carré D'agneau

Farcir les pochettes de côtelettes de porc à la cuiller et fermer les extrémités avec des cure-dents. Laisser reposer les côtelettes à température ambiante pendant 20 minutes environ avant de faire griller. Placer les côtelettes sur la grille de cuisson. Saisir à feu vif direct pendant 12 minutes, en les retournant à mi-cuisson. Continuer à cuire par chaleur indirecte moyenne, jusqu'à ce que la couleur rose disparaisse au centre, soit 4 à 6 minutes. Retirer les cure-dents avant de servir.

Donne 6 portions.





Poulet Au Fromage Ricotta

POULET AU FROMAGE RICOTTA

Indirecte Moyenne

- 1 poulet entier de 1,75 à 2,25 kg
- 350 g de fromage ricotta
- 1/3 tasse (100 g) de fromage parmesan râpé
- 1 œuf
- 1-1/4 cuiller à thé (1,5 g) de basilic séché, divisé
- 3/4 cuiller à thé (1 g) d'estragon séché, divisé

- 2 cuillers à table (8 g) de persil finement haché
- 1 grosse gousse d'ail finement hachée
- Huile de cuisson
- Paprika

À l'aide d'un coupe-volaile, couper le long des deux côtés de la carcasse dorsale sur toute la longueur du poulet. Retirer toute la carcasse dorsale et le croupion.

1. Embrocher la peau du cou au dos. Tordre les extrémités d'aile sous le dos. Placer le poulet, côté peau vers le haut, sur le comptoir et appuyer sur le poulet avec la paume pour 'étaler' les os afin que le poulet soit complètement à plat. **2.** Desserrer la peau sur la poitrine et les pilons du poulet, au moyen d'un couteau d'office aiguisé et les doigts, en commençant par l'extrémité du cou et en prenant soin de ne pas déchirer ou couper la peau.

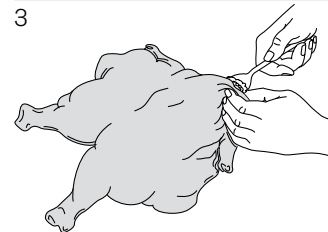
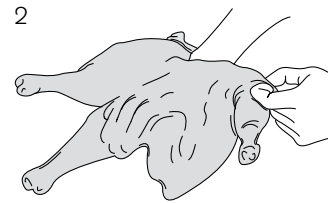
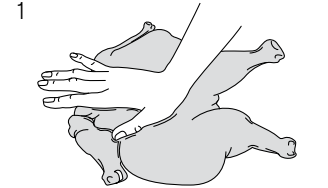
Mélanger les fromages ricotta et parmesan, l'œuf, 1 cuiller à thé (1,2 g) de basilic, 1/2 cuiller à thé (0,6 g) d'estragon, le persil et l'ail.

3. À l'aide d'une cuiller, farcir la cavité entre la peau et la chair du mélange au fromage, en appuyant avec les doigts pour le distribuer uniformément sur la poitrine et les pilons. Badigeonner le poulet légèrement d'huile et saupoudrer le poulet du reste de basilic et de l'estragon ainsi que du paprika.

Placer le poulet, côté peau vers le haut, sur la grille de cuisson. Faire griller jusqu'à ce que les cuisses de poulet bougent facilement et que la peau soit bien dorée, 1-1/4 à 1-1/2 heure. Transférer le poulet sur une planche à découper; laisser reposer 10 minutes.

Découper en quartiers, en longueur et en croix. Rassembler le poulet sur un plat de service.

Donne 4 portions.



FAJITAS AU POULET

Directe Moyenne

Marinade:

- 1/4 tasse (60 ml) d'huile de cuisson
 - 3 cuillers à table (30 ml) de jus de lime
 - 2 cuillers à table (20 ml) de vinaigre de vin rouge
 - 2 cuillers à table (20 g) d'oignon haché finement
 - 1 gousse d'ail émincée
 - 1/2 cuiller à thé (2 g) de sucre
 - 1/2 cuiller à thé (0,75 g) d'origan séché
 - 1/4 cuiller à thé (1,5 g) de sel
 - 1/4 cuiller à thé (0,5 g) de poivre
 - 1/8 cuiller à thé (0,2 g) de cumin moulu
-
- 6 moitiés de poitrines de poulet désossées
 - 4 tomates italiennes coupées en tranches de 1,25 cm
 - 1 oignon rouge coupé en tranches de 1,25 cm
 - 1 poivron rouge ou jaune coupé en quatre, après avoir enlevé la tige et les graines
 - 6 grandes tortillas
 - 1 avocat coupé en tranches
- Salsa

Dans un contenant peu profond non métallique, combiner les ingrédients de la marinade. Préparer la marinade. Ajouter le poulet en le retournant pour recouvrir chaque côté de marinade. Couvrir et réfrigérer pendant 4 heures, en le retournant de temps en temps. Enlever les poitrines de poulet de la marinade et jeter cette marinade. Faire griller les poitrines de poulet 8 à 12 minutes, jusqu'à ce que la viande ne soit plus rose et les retourner à mi-cuisson. Pour les temps de cuisson des tomates, de l'oignon et du poivron, voir page 32. Envelopper les tortillas dans du papier d'aluminium et les placer sur la grill de cuisson. Faire chauffer pendant 1 minute. Couper le poivron en lanières et le poulet en tranches. Placer les tranches de poulet, de tomates grillées, d'oignon, de poivron et d'avocat dans les tortillas chaudes et les enrouler pour les servir avec de la salsa.

Donne 6 portions.



Fajitas Au Poulet

Conseil Weber

Si l'on veut badigeonner la viande de sauce pendant la cuisson, répartir cette sauce en réservant une partie pour badigeonner et l'autre pour servir à table. Faire bouillir à feu vif les marinades utilisées pour les viandes, le poisson ou la volaille crus pendant 10 seconds complète avant de les utiliser pour arroser ou pour servir de sauce.





Perche De Mer Avec Une Vinaigrette De Poivron Roti

PERCHE DE MER AVEC UNE VINAIGRETTE DE POIVRON ROTI

Directe Haute
de www.weber.com®

Pour la vinaigrette:

- 3 poivrons, la préférence sont rouges, jaunes et oranges
- 3 cuillers à table d'huile d'olive extra vierge
- 2 cuillers à table de jus d'orange
- 2 cuillers à table de persil italienne finement haché
- 1 cuiller à table de jus de citron
- 1/2 cuiller à table d'ail haché
- 1/2 cuiller à thé de cumin moulu
- 1/4 cuiller à thé de sel
- 1/4 cuiller à thé de poivre fraîchement moulu
- 1/4 cuiller à thé de sauce Tobasco

- 4 filets de perche sans peau, environ 6 onces et 1 pouce d'épaisseur
- L'huile d'olive extra vierge
- Sel
- Poivre fraîchement moulu

Pour faire la vinaigrette: Griller les poivrons à une température directe haute jusqu'au temps que les peaux sont grillées également sur chaque côté, 10 à 12 minutes, et les tourner chaque 3 à 4 minutes. Les enlever du gril et les placer dans un sac à papier et le

bien fermer. Les laisser pour 10 à 15 minutes pour enlever la vapeur des peaux. Couper les sommets des tomates, et enlever les graines. Couper les poivrons dans des morceaux de pouce et les mettre à part. Dans un bol moyen fouetter ensemble les ingrédients restant du vinaigrette.

Ajouter les poivrons et les mettre de côté pour aussi long qu'une journée. Brosser les filets de poisson avec d'huile d'olive. Assaisonner avec le sel et poivre à votre goût. Griller à une température directe haute jusqu'à temps que le chair est opaque, 5 à 7 minutes, en tournant seulement 1 fois. Enlever du gril et le servir chaude avec le vinaigrette de poivrons rôti versé dessus.

Donne 4 portions.



BROCHETTES DE CREVETTES ET BEURRE AU CURRY

Directe Élevée

Beurre au curry:

- 1/2 tasse (120 g) de beurre
- 2 cuillers à table (20 g) d'oignon finement haché
- 1 cuiller à thé (2 g) d'aneth frais ciselé
- 1 – 1-1/2 cuiller à thé (2 à 3 g) de poudre de curry
- une pincée de poudre d'ail

- 900 g de grosses crevettes déveinées
- Huile d'olive
- Quartiers de lime ou de citron
- Aneth frais ou brins de persil

Préparer le beurre au curry: Faire fondre le beurre dans une petite poêle à chaleur moyenne à élevée. Ajouter l'oignon, l'aneth, le curry et la poudre d'ail et faire cuire 5 minutes.

Enfiler les crevettes sur six brochettes de 30 cm, en laissant de l'espace entre chaque morceau. Badigeonner légèrement ou vaporiser les crevettes d'huile d'olive. Les faire griller jusqu'à ce qu'elles deviennent roses et tendres, soit 2 à 5 minutes, selon la grosseur (ne pas cuire trop longtemps). Retourner les brochettes et les badigeonner de beurre au curry à mi-cuisson. Disposer les crevettes

grillées sur le plat de service et garnir avec des quartiers de lime et de l'aneth.

Donne 4 portions.



DARNE DE SAUMON KYOTO

Directe Moyenne

- 1/3 tasse (80 ml) de sauce soja
- 1/4 tasse (60 ml) de jus d'orange concentré
- 2 cuillers à table (20 ml) d'huile de cuisson
- 2 cuillers à table (20 ml) de sauce tomate
- 1 cuiller à thé (5 ml) de jus de citron
- 1/2 cuiller à thé (2,5 g) de moutarde préparée
- 1 cuiller à table (10 g) d'oignon vert et sa fane, finement hachés
- 1 gousse d'ail, finement hachée
- 1/2 cuiller à thé (2,5 g) de racine de gingembre, finement hachée

- 4 darnes de saumon d'environ 2,5 cm d'épaisseur
- Huile d'olive

Pour la marinade, combiner tous les ingrédients à l'exception des darnes de saumon et verser le mélange sur les darnes dans un plat en verre profond allant au four. Couvrir et réfrigérer pendant 30 à 60 minutes. Laisser égoutter le saumon et réserver la marinade en la versant dans une petite casserole. Porter à ébullition à feu vif



Darne De Saumon Kyoto

et faire bouillir pendant 1 minute complète. Badigeonner légèrement ou vaporiser les darnes avec de l'huile d'olive et les placer sur la grille de cuisson. Faire griller jusqu'à ce que le poisson soit tendre et s'effrite sous la fourchette, soit 5 à 10 minutes, selon l'épaisseur du poisson. Retourner le saumon et le badigeonner de marinade à mi-cuisson.

Donne 4 portions.





Farce De Tomate Roti Avec Ratatouille

FARCE DE TOMATE ROTI AVEC RATATOUILLE

Directe Moyenne
de www.weber.com®

- 4 tomate de large grosseur
sel

Pour le farce:

- 1 onion rouge de moyenne grosseur,
couper en travers
Tranche de 1/3 pouces
- 1 poivrons de moyenne grosseur,
graines et tiges enlever
- 1 courgette de moyenne grosseur,
ouper en longueur
Tranche de 1/3 pouces
L'huile d'olive extra vierge
Poivre fraîchement moulu
- 2/3 tasse de fromage mozerella râpé
- 1 cuiller à table de basilic fraîche
- 1 cuiller à thé de vinaigre balsamique

Couper une tranche de pouce sur le dessus de chaque tomate et jeter les sommets. Couper le dedans du parti charnu du tomate d'environ pouce du peau avec une petite couteau. Ne pas couper a travers le dessous du tomate. Cuillerer le dedans du tomate mais laisser pouce du chair attacher au peau. Jetter les jus et les graines pour donner d'espace pour le farce. Pendant que vous preparez le farce, seller l'intérieur des tomates et les tourner face couper en bas sur des plats lignés avec des serviettes en papier.

Pour faire le farce: Brosser les onions, poivrons et courgettes légèrement avec l'huile d'olive. Assaisonner avec le sel et poivre à votre goût. Griller à une temperature directe moyenne, les tournants 1 fois, jusqu'au temps qu'ils sont tendres. Les onions vont prendre 8 à 10 minutes et les poivrons et courgettes 6 à 8 minutes. Transferer sur une planche à découper et couper dans des morceaux de 1/3 pouces. Dans un bol de moyenne grosseur, combiner les légumes avec le fromage, baselic et vinaigre.

Cuillerer le farce légume dans les tomates et griller sur indirecte moyenne jusqu'à temps que le fromage est fondu et les légumes sont chaudes, 8 à 12 minutes. Servir immédiatement.

Donne 4 portions.



POMMES DE TERRE FARCIES GRILLÉES

Indirecte Moyenne

- 3 grosses pommes de terre à cuire au four
- 3 cuillers à table (45 g) de margarine ou de beurre ramolli
- 2 jaunes d'œufs
- 1/2 tasse (125 ml) de crème sure
- 1 cuiller à table (3 g) de ciboulette hachée
- 3/4 cuiller à thé (5 g) de sel
- 2 cuillers à table (10 g) de fromage cheddar fort râpé
- 1/4 tasse (125 ml) de fleurs de brocoli

Laver et sécher les pommes de terre. Les piquer avec une fourchette et les faire griller jusqu'à ce qu'elles soient bien cuites, soit environ 1 heure. Les couper en deux sur la longueur. À l'aide d'une cuiller, retirer soigneusement la pulpe, en réservant 6 pelures. Réduire les pommes de terre en purée avec le beurre tant qu'elles sont encore chaudes. Incorporer les jaunes d'œufs et la crème sure et mélanger avec les pommes de terre, la ciboulette et le sel. Introduire le mélange dans les pelures réservées.

Placer les pelures farcies sur la grille de cuisson et les faire griller jusqu'à ce qu'elles soient bien cuites, soit environ 10 minutes. Recouvrir chaque pomme de terre de fromage et continuer à les faire griller jusqu'à

ce que le fromage ait fondu. Garnir le dessus avec des fleurs de brocoli avant de servir.

Donne 6 portions.



PARADIS GRILLER

Indirecte Moyenne
de *Weber's Big Book of Grilling™*

Pour le glaçage:

- 3/4 tasse de jus d'orange
- 1 cuiller à table de miel
- 1 cuiller à table de jus de citron
- 2 cuillers à thé de farine de maïs
- 4 tranches d'ananas, pouce d'épais
- 1 cuiller à thé de graine de poivre vert et grain de poivre noir
- 4 cuillers a glace vanille

Pour faire le glaçage: Dans une petite caserol combiner les ingrédients et fouetter jusqu'à temps qu'ils sont onctueux. Bouillir à une température moyenne haute jusqu'au temps qu'ils devient épais, 1 à 2 minutes. Garder le glaçage chaude ou rechauffer lorsqu'il est prêt à utiliser. Assaisonner chaque côté des tranches d'ananas avec les graines de poivres. Griller à une température indirecte moyenne, 6 à 8 minutes en tournant seulement 1 fois. Servir chaque tranche d'ananas avec un cuiller a glace vanille et le glaçage bruiner dessus.

Donne 4 portions.



Paradis Griller



GUIDE DE CUISSON AU BARBECUE

Les prochaines coupes, épaisseurs, pois et temps de cuisson sont des guides de cuisson et non pas des règles. Les temps pour cuire vont être affecter par l'altitude, le vent, les températures et l'à point désiré. Deux règles à vue nez: griller les biftecks, filets de poissons, les morceaux de poulets et légumes en utilisant le methode directe en tournant

seulement 1 fois en accord avec le temps donner sur le guide ou à la point desire. Griller les rôtis, les volailles avec os, les poissons entiere et les coupes de viande plus épais en utilisant le methode indirect pour les temps sur le guide de cuisson ou lorsque un themomètre advise une température désirable. Le temps de cuisson pour les

rôtis et l'agneaux sont une définition USDA à point moyenne au mois d'être dit d'autre façon. Laisser les rôtis, coupes de viande plus large et les côtelettes et biftecks assoir pour 5 à 10 minutes avant de les découper. La température à l'intérieur du viande vas hausser de 5 à 10 degrés pendant ce temps

Boeuf	Épaisseur/Poids	Temps De Cuisson Approximatif
Biftecks (New York, bifteck de gros filet, faux-filet, surlonge, aloyau ou filet mignon)	2 cm	4 à 6 minutes en cuisson directe à puissance élevée
	2,5 cm	5 à 8 minutes ; saisir 4 à 6 minutes en cuisson directe à puissance élevée, puis griller 1 à 2 minutes en cuisson indirecte à puissance élevée
	3,75 cm	10 à 14 minutes ; saisir 6 à 8 minutes en cuisson directe à puissance élevée, puis griller 4 à 6 minutes en cuisson indirecte à puissance élevée
Bifteck de flanc	450 à 675 g, 2 cm	8 à 10 minutes en cuisson directe à puissance élevée
Fricadelles de boeuf	2 cm	8 à 10 minutes en cuisson directe à puissance élevée

Porc	Épaisseur/Poids	Temps De Cuisson Approximatif
Côtelettes (longe, côte)	2 cm	6 à 8 minutes en cuisson directe à puissance élevée
	2,5 cm	8 à 10 minutes en cuisson directe à puissance moyenne
Côtes, petites côtes levées de dos	680 à 907 g chacune	3 à 4 heures en cuisson indirecte à puissance faible
Côtes, côtes levées	1,13 à 1,59 kg	3 à 4 heures en cuisson indirecte à puissance faible
Côtes, de campagne, non désossées	1,35 à 1,75 kg	1-1/2 à 2 heures en cuisson indirecte à puissance moyenne

Volaille	Épaisseur/Poids	Temps De Cuisson Approximatif
Poitrines de poulet, désossées, sans peau	170 à 225 g chacune	8 à 12 minutes en cuisson directe à puissance moyenne
Poitrines de cuisse, désossées, sans peau	113 g chacune	8 à 10 minutes en cuisson directe à puissance élevée
Poitrine de poulet, non désossée	280 à 340 g chacune	30 à 40 minutes en cuisson indirecte à puissance moyenne
Morceaux de poulet, pilons et cuisses avec os		30 à 40 minutes en cuisson indirecte à puissance moyenne
Aile de poulet	57 à 85 g chacun	18 à 20 minutes en cuisson directe à puissance moyenne
Poulet, entier	1,5 à 2 kg	1 à 1-1/2 heures en cuisson indirecte à puissance moyenne
Poulet de Cornouailles sauvages, entiers	675 à 900 g chacun	50 à 60 minutes en cuisson indirecte à puissance élevée
Dinde entière, farcie	4,5 à 5,4 kg	2-1/2 à 3-1/2 heures en cuisson indirecte à puissance faible
	5,9 à 6,8 kg	3-1/2 à 4-1/2 heures en cuisson indirecte à puissance faible

Filets Et De Poisson Et Fruits De Mer	Épaisseur/Poids	Temps De Cuisson Approximatif
Filets de poisson	0,50 à 1,25 cm	3 à 5 minutes en cuisson directe à puissance élevée
Darnes de poisson	1,25 à 2,50 cm	10 à 12 minutes en cuisson directe à puissance élevée
Entier	450 g	15 à 20 minutes en cuisson indirecte à puissance moyenne
	1,35 kg	30 à 45 minutes en cuisson indirecte à puissance moyenne
Note: le règle general pour cuire le poisson: 4 à 5 minutes pour chaque pouce d'épaisseur; 8 à 10 minutes par chaque pouce d'épaisseur.		

Légumes	Temps De Cuisson Approximatif
Asperges	6 – 8 minutes directe moyenne
Maïs en papillote/épluché	25 – 30 minutes directe moyenne / 10 – 15 minutes directe moyenne
Champignons shiitaké ou bouton/portabello	8 – 10 minutes directe moyenne / 10 – 15 minutes directe moyenne
Oignons, tranches / 1,25 cm	35 à 40 minutes en cuisson indirecte à puissance moyenne / 8 – 12 minutes directe moyenne
Pommes de terre entières/tranches 1,25 cm	45 minutes à 1 heure indirecte moyenne / 14 – 16 minutes directe moyenne

CONTENIDO

¡Gracias por haber escogido Weber!
Esperamos que disfrute durante muchos años de nuestro fiel servicio. Es para nosotros un placer presentarle este libro de cocina repleto de recetas Weber, todas ellas probadas y degustadas a la parrilla. Saludos cordiales y que aproveche!

NOCIONES BÁSICAS SOBRE LAS BARBACOAS Ó ASADORES WEBER

Cada receta contenida en este libro incluye un método de preparación a la parrilla así como las propiedades de calor idóneas para utilizar la barbacoa ó asador de gas Weber®. Las tablas incluidas en este libro le servirán como una referencia útil y fácil de usar.

Cocine Con La Tapa Cerrada: Todos los platos a la parrilla se cocinan con la tapa cerrada para proporcionar un flujo de calor uniforme y en constante circulación. Con la tapa cerrada, la barbacoa de gas Weber® cocina de forma muy parecida a un horno de convección. El termómetro situado en la tapa indica la temperatura de preparación existente dentro de la barbacoa ó asador y se puede utilizar para comprobar la temperatura interna de las carnes cuando se desea un grado concreto de preparación. La tapa debe estar cerrada tanto al calentar la barbacoa como al cocinar con ella. No suba la tapa mientras cocina, el calor se escapará cada vez que lo haga.

Caliente La Parrilla: Es muy importante que caliente la barbacoa ó asador antes de cocinar con ella. Encienda la barbacoa ó asador de gas Weber® siguiendo las instrucciones del Manual del Propietario. Baje

la tapa y espere hasta que el termómetro de la tapa alcance 260°-288°C. Este procedimiento tardará entre 10 y 15 minutos, dependiendo de la temperatura exterior.

Sistema Flavorizer®: Cuando las carnes desprenden su jugo, dichos jugos caen en las barras Flavorizer® que están especialmente orientadas para crear el humo que proporciona a las carnes un irresistible sabor a barbacoa. Gracias al exclusivo diseño de los quemadores, de las barras Flavorizer® y de los mandos de control de temperatura, las llamas incontroladas quedan prácticamente eliminadas, ya que es USTED quien controla las llamas. Gracias al diseño especial de las barras y quemadores Flavorizer®, las grasas sobrantes son dirigidas a través de la bandeja del fondo con forma de embudo hasta la bandeja recolectora del exceso de grasa.

CONSEJOS PRÁCTICOS & TRUCOS ÚTILES

- » Quite la grasa sobrante de los filetes, chuletas y asados, dejando apenas 0,6 cm de grasa. Cuanta menos grasa haya, más fácil será limpiar la barbacoa ó asador, y prácticamente se asegurará que no se produzcan llamas poco apropiadas.
- » En caso de que se produzca una llamarada poco deseable, APAGUE todos los quemadores y coloque los alimentos en otra zona de la parrilla. Las llamas se apagarán con rapidez. Una vez apagadas, vuelva a encender la barbacoa.
NO UTILICE AGUA EN NINGÚN CASO PARA APAGAR LAS LLAMAS DE UNA BARBACOA DE GAS.
- » No cubra con papel de aluminio la bandeja

del fondo que tiene forma de embudo. Esto podría impedir que la grasa escurra hasta llegar a la bandeja recolectora del exceso de grasa.

- » Asegúrese de que la bandeja del fondo y la bandeja recolectora del exceso de grasa estén limpias y no tengan restos de alimentos.
- » La temperatura de la barbacoa ó asador de gas Weber® puede ser más elevada de lo normal durante los primeros usos.
- » Lávese bien las manos con agua caliente y jabón antes de comenzar a preparar cualquier plato y después de haber tocado carnes, pescados, o aves frescos.
- » No descongele carne a temperatura ambiente, descongele en el refrigerador.
- » No coloque nunca alimentos cocinados en el mismo plato en el que haya colocado alimentos crudos.

MÉTODOS DE COCINA A LA PARRILLA

La elección más importante que debemos hacer en la cocina a la parrilla es seleccionar el método de cocción de un alimento específico: fuego directo ó indirecto. La diferencia entre estos dos métodos es sencilla: en el método directo, los alimentos se colocan directamente sobre la fuente de calor. Por el contrario, en el indirecto, la fuente de calor se coloca a ambos lados de los alimentos, por lo que no están directamente sobre la fuente. Utilice el método más apropiado de cocción para obtener los mejores resultados y la mejor garantía de seguridad.

Método Directo

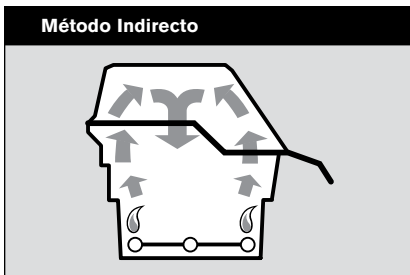
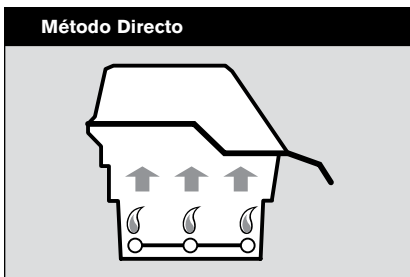
El método directo, se realiza colocando los alimentos directamente sobre la fuente de calor. Incluso con alimentos cocinados a la parrilla, deberá dar vuelta una vez a los alimentos. Utilice el método directo para alimentos que necesiten menos de 25 minutos de preparación: filetes, chuletas, kabobs ó brochetas, salchichas, verduras, entre otros. Asimismo, es necesario cocinar directamente las carnes de preparación a fuego **alto**. El método a fuego **alto** consigue aportar a la carne una textura crujiente y

sabrosa en los puntos de contacto de la carne con la parrilla. Además aporta un excelente color y sabor a toda la superficie de los alimentos. Filetes, chuletas, pechugas de pollo y piezas de carne de mayor tamaño, todos ellos se benefician de la preparación a fuego **alto**. Para realizar este tipo de preparación, coloque las piezas de carne directamente sobre el fuego intenso durante 2-5 minutos por cada lado. Las piezas de menor tamaño necesitan menor tiempo de preparación. Normalmente, después de haber cocinado a fuego **alto**, es recomendable terminar de cocinar los alimentos a la parrilla a una temperatura más baja. También puede cocinar a la parrilla alimentos de preparación rápida con el método directo; utilice el método indirecto para alimentos que requieran más tiempo de preparación. Para preparar su barbacoa ó asador de gas para cocinar los alimentos directamente en la parrilla, caliente la barbacoa ó asador con todos los quemadores al máximo. Coloque los alimentos sobre la parrilla de asado, después ajuste todos los quemadores a la temperatura indicada en la receta. Baje la tapa de la barbacoa ó asador y súbala sólo para dar la vuelta a los alimentos ó para probar si los alimentos están hechos a su gusto una vez terminado el tiempo de preparación recomendado.

Método Indirecto

El método indirecto es muy parecido a hornear pero, gracias a la barbacoa ó asador, aporta ventajas adicionales en la textura, en el sabor y en el aspecto que no puede conseguir en un horno. Para preparar la

barbacoa ó asador para el método indirecto, ha de encender los quemadores de gas situados a ambos lados de los alimentos, pero no los que estén directamente debajo de ellos. El calor se eleva, rebota en la tapa y en la parte interior de la barbacoa y se mantiene en circulación para cocinar lentamente los alimentos de forma uniforme por todos los lados, de forma similar a un horno de convección, de manera que no es necesario darle la vuelta a los alimentos. Utilice el método indirecto para alimentos que necesiten un tiempo de cocinado de 25 minutos ó más, ó para aquellos alimentos delicados en los que la exposición directa a las llamas los secaría demasiado ó los chamuscaría. Algunos ejemplos de este tipo son asados, costillas, pollos y pavos enteros así como otras grandes piezas de carne y filetes de pescados delicados. Para preparar la barbacoa de gas para el método de cocinado indirecto, caliente la barbacoa ó asador con todos los quemadores al máximo. Después ajuste los quemadores situados a ambos lados de los alimentos a la temperatura indicada en la receta y apague los quemadores situados justo debajo de los alimentos. Para conseguir mejores resultados, coloque los asados, las aves ó las grandes piezas de carne en una parrilla de asado dentro de una bandeja de papel de aluminio resistente. Para alimentos que requieren prolongados tiempos de cocinado, añada agua a la bandeja recoge gotas para evitar que ardan las gotas de grasa. Estos restos de gotas se pueden utilizar como salsa ó jugo.





Filetes A Las Tres Pimientas

FILETES A LAS TRES PIMIENTAS

Dorar a fuego Alto;

Cocinado: Con fuego Indirecto Intensidad Media

- 6 filetes de ternera de unos
3 – 4 cm de grosor
- 2 cucharaditas de pimienta negra
en grano
- 2 cucharaditas de pimienta blanca
en grano
- 2 cucharaditas de pimienta
Szechwan en grano
- una pizca de pimienta de
Jamaica molida

Quite la grasa sobrante de los filetes de ternera. Machaque los granos de pimienta sin llegar a molerlos. Mezcle los granos de pimienta con la pimienta de Jamaica molida. Cubra y guarde los filetes en el frigorífico, durante 1 ó 2 horas después de haber mezclado la carne con la mezcla de pimienta. Deje la carne reposar a temperatura ambiente durante unos 20 ó 30 minutos antes de colocarla en la barbacoa ó asador. Coloque los filetes directamente sobre fuego alto durante unos 4 minutos, dándoles la vuelta una vez. Siga cocinándolo a la parrilla sobre fuego indirecto de mediana intensidad durante unos 6 u 8 minutos para término medio.

Para 6 personas.



FILETES DE LOMO MARINADOS

Con fuego Directo Intensidad Media

Ingredientes del marinado:

- 1/2 taza de aceite
- 1/3 taza de salsa de soya
- 1/4 taza de vinagre de vino tino
- 2 cucharadas soperas de jugo de limón
- 1 cucharada soperas de salsa inglesa
- 1 cucharadita soperas de mostaza seca
- 1 diente de ajo picado
- 1/4 cucharadita de pimienta
- 700 g de filetes de lomo, de unas
1-1/2 – 2 cm de grosor

Mezcle los ingredientes del marinado en un platón llano que no sea de metal. Coloque los filetes en el marinado impregnándolos completamente. Deje los filetes cubiertos por el marinado en el frigorífico durante al menos 4 horas ó durante una noche. Retire los filetes del marinado y tire el marinado. Deje la carne reposar a temperatura ambiente durante unos 20 ó 30 minutos antes de colocarla en la barbacoa ó asador. Cocine los filetes en la parrilla durante 5 minutos por cada lado, de forma que estén dorados por fuera pero más bien poco hechos por dentro. Corte los filetes en forma diagonal en finas rodajas antes de servirlos.

Para 4 personas.



FILETES A LAS HIERBAS DE AJEDREA

Dorar a fuego Alto;

Cocinado: Con fuego Indirecto Intensidad Alta

- 4 filetes de ternera de unos 3-4 cm de grosor
- 1-1/2 cucharaditas de hojas de albahaca seca
- 1 cucharadita de hojas de estragón seco
- 1 cucharadita de cebolleta seca
- 4 dientes de ajo picado

Quite la grasa sobrante de los filetes de ternera. Mezcle las hierbas y el ajo; macháquelos con un tenedor hasta que se forme una pasta. Impregne ambos lados de los filetes con la pasta de hierbas. Cubra y guarde los filetes en el frigorífico, durante 1 ó 2 horas antes de cocinarlos a la parrilla. Deje la carne reposar a temperatura ambiente durante unos 20 ó 30 minutos antes de colocarla en la barbacoa. Coloque los filetes directamente sobre fuego alto durante unos 4 minutos, dándoles la vuelta una vez. Siga cocinándolo a la parrilla sobre fuego indirecto de mediana intensidad durante unos 6 u 8 minutos para término medio.

Para 4 personas.



COSTILLAS DORSALES CON SALSA PICANTE DE SIDRA

Indirecto Calor Medio

de *El gran libro de barbacoas* de Weber™

Para la salsa:

- 2 tazas de cidra
- 1/4 taza de chalotes
- 1 cucharada de café de pimienta jalapeño picado, quitando previamente las semillas
- 1/4 taza de ketchup
- 2 cucharas de café de vinagre de vino blanco
- 2 cucharas soperas de tomate concentrado
- 1 cucharada soperas de azúcar morena
- 1/4 de cucharada de café de sal
- 1/4 de cucharada de café de pimienta negra
- molida previamente

- Unos 2 kg de costillas en dos ó tres porciones
- Sal
- Pimienta negra previamente molida

Para hacer la salsa: En una sartén pequeña mezclar la sidra, los chalotes y el jalapeño. Hervir y dejar a fuego medio hasta que quede reducido a la mitad (15 – 20 minutos). Añadir los restantes ingredientes para la salsa, hervir nuevamente y quitar del fuego. (Se puede preparar la salsa antes y guardar en el frigorífico hasta su uso).



Costillas Dorsales Con Salsa Picante De Sidra

Antes de poner las costillas en la barbacoa dejarlas a temperatura ambiente durante unos 20 a 30 minutos Sazonar con sal y pimienta. Poner las costillas sobre la parrilla con el hueso hacia abajo, método indirecto y calor medio hasta que la carne quede muy tierna y se separe ligeramente del hueso en los extremos (aprox. 1-1/2 a 2 horas). Untar frecuentemente las costillas con la salsa durante el proceso de cocción, en los últimos 10 minutos. Sacar las costillas de la parrilla dejándolas reposar durante 5 a 10 minutos antes de cortar las costillas individualmente. Servir caliente.

Para 4 personas.





Brochetas De Cordero Con Especies

KABOBS Ó BROCHETAS DE CORDERO CON ESPECIAS

Con fuego Directo Intensidad Media

Marinado de naranjas y especias:

- 1/2 taza de aceite de oliva
- 1/4 taza de vinagre de vino tinto
- 1 cucharada sopera de jugo de limón
- 2 cucharadas soperas de piel de naranja rallada
- 1 cebolla verde y una corona de cebolla, picadas

una pizca de canela en polvo
una pizca de ajos en polvo

- 1 kg de cordero magro, cortado en pedazos de 3 - 4 cm

Prepare el marinado de naranjas y especias:

Mezcle todos los ingredientes; viértalo sobre el cordero en un platón llano de cristal ó en una bolsa de plástico resistente. Cúbralo y guárdelo en el frigorífico durante 4 ó 6 horas. Retire el cordero del marinado, escúrralo y guarde el marinado. Vierta el marinado que ha guardado en una pequeña cazuela. Póngalo a hervir y déjelo que hierva durante 10 segundos.

Coloque el cordero en forma de 4 ó 6 pinchos de metal a modo de brochetas. Coloque los kabobs ó brochetas en la bandeja de asado; cocínelos a la parrilla hasta que estén a su gusto, unos 10 minutos para que estén en su punto. Extienda el marinado sobre los kabobs con un pincel mientras se hace a la parrilla; dé la vuelta a los kabobs. Servir caliente.

Para 4 ó 6 personas.



PIERNA DE CORDERO

Con fuego Indirecto Intensidad Media

- 1 pierna de cordero, sin hueso, enrollada y atada, entre 2-1/2 y 3 kg.
- 2 dientes de ajo, cortados en 8 pedazos
Aceite
- 1 cucharada sopera de piel de limón rallada
una pizca de sal
- 1 cucharadita de hojas secas de romero
una pizca de pimienta negra

Haga 8 hendiduras pequeñas en la superficie de la pieza de cordero con un cuchillo pequeño con punta. Coloque un pedazo de ajo en cada hendidura. Extienda el aceite sobre la pieza con un pincel. Espolvoree la piel del limón, la sal, el romero y la pimienta por encima de la pieza. Coloque la pieza en la bandeja de asado y déjelo en la parrilla durante 2-1/2 horas hasta término medio 71°C.

Para 10 ó 12 personas.



COSTILLAR DE CORDERO

Dorar a fuego Medio;

Cocinado: Con fuego Indirecto Intensidad Media

- 2 costillares de cordero, entre 1/2 y 3/4 kg. cada uno
- 2 cucharadas soperas de mostaza de Dijon
- 1 taza de migas de pan fresco
- 1/4 taza de perejil picado
- 1/2 cucharadita de sal
una pizca de pimienta recién molida
- 2 cucharadas soperas de mantequilla derretida
- 1 diente de ajo machacado

Dore los costillares de cordero directamente sobre el fuego de mediana intensidad, con la parte de la grasa hacia abajo, durante 5 minutos. Retírelos de la barbacoa ó asador. Extienda 1 cucharada de mostaza sobre cada costillar de cordero. Mezcle en un tazón pequeño las migas de pan, perejil, sal y pimienta. Espolvóreelo de manera uniforme sobre los costillares de cordero. Mezcle la mantequilla derretida y el ajo y viértalo poco a poco por encima de la carne. Siga cocinándolo a la parrilla sobre fuego indirecto de mediana intensidad hasta que esté en su punto, 63°C, durante unos 20 minutos para término medio.

Para 4 personas.



CHULETAS DE CERDO CON RELLENO DE NUECES

Dorar a fuego Directo Alto;

Cocinado: Con fuego Indirecto Intensidad Media

Relleno de nueces:

- 1/2 taza de nueces picadas en trozos grandes
- 1/4 taza de cebollas verdes en rodajas y de coronas de cebolla
- 1/4 taza de pimienta verde picado
- 3 cucharadas soperas de mantequilla
una pizca de hojas de romero seco
una pizca de pimienta blanca
- 2 tazas de pedacitos de pan duro de trigo (2 cm de grosor)
- 1/3-1/2 taza de caldo de pollo

- 6 chuletas de lomo de cerdo con hueco para el relleno, con unos 3-4 cm de grosor

Prepare el relleno de nueces: Sofría las nueces, las cebollas y el pimienta verde con mantequilla en un sartén pequeño hasta que las cebollas estén tiernas; vierta el romero y la pimienta y déjelo sofreír durante 1 minuto más. Mezcle el relleno de nueces y los pedacitos de pan en un tazón; mézclelo con un poco de caldo de pollo, lo justo para que se humedezca. Coloque el relleno con una cuchara en el centro de las chuletas de lomo de cerdo y unte en los bordes de las chuletas asegurándolas con palillos. Deje la carne reposar a temperatura ambiente durante unos 20 minutos antes de colocarla en la barbacoa



Costillar De Cordero

ó asador. Coloque las chuletas sobre la parrilla directamente sobre fuego alto durante unos 12 minutos, dándoles la vuelta una vez. Siga cocinándolas a la parrilla sobre fuego indirecto de mediana intensidad hasta que pierdan el color rosado, durante unos 4 ó 6 minutos. Retire los palillos antes de servir.

Para 6 personas.





Pollo Al Queso Ricotta

POLLO AL QUESO RICOTTA

Con fuego Indirecto Intensidad Media

- 1 pollo entero, de unos 2 ó 2-1/2 kgs de peso
- 400 g de queso de ricotta
- 1/3 taza queso parmesano rallado
- 1 huevo
- 1-1/4 cucharadita de hojas secas de albahaca, divididas
- una pizca de hojas secas de estragón, divididas

- 2 cucharadas soperas de perejil picado
- 1 diente de ajo grande, picado
- Aceite
- Pimentón

Con una tijeras de cocina, divida en dos partes el pollo, cortándolo longitudinalmente por la columna. Retire la columna y la parte trasera. Tire de la piel del cuello hacia atrás. Tire de las puntas de las alas hacia atrás.

1. Coloque el pollo, con la piel hacia arriba sobre la mesa; empuje el pollo con las palmas de las manos hacia abajo, hasta que crujan los huesos, para que el pollo quede tumbado.

2. Afloje la carne de la parte superior del pollo y de los muslos con un cuchillo de cocina y con los dedos, empezando por el extremo superior. Procure no romper ó cortar la piel.

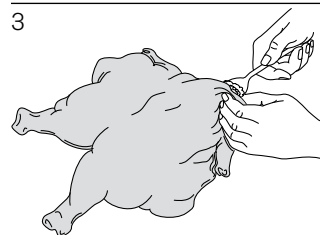
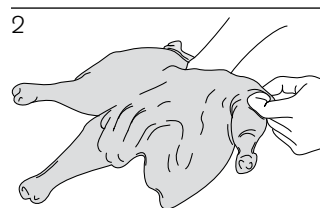
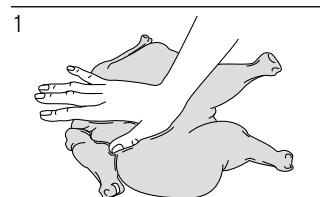
Mezcle el queso ricotta y el parmesano, el huevo, 1 cucharadita de albahaca, 1/2 cucharadita de estragón, perejil y ajo.

3. Ponga con cuidado la mezcla de queso debajo de la piel del pollo, empujando con los dedos para distribuir de manera homogénea sobre el cuerpo y los muslos del pollo. Extienda un poco de aceite con un pincel; espolvoree el resto, una pizca de albahaca, una pizca de estragó y el pimentón.

Ponga el pollo en la bandeja de asado, con la piel hacia arriba, y cocínelo en la parrilla con el método indirecto a fuego medio hasta que los muslos del pollo se muevan con facilidad y la piel esté bien dorada, 1-1/4 ó 1-1/2 horas. Coloque el pollo en la tabla de madera; déjelo reposar durante 10 minutos. Córtele en 4 pedazos, con un corte en horizontal y

otro en vertical. Vuelva a colocar el pollo en la fuente para servir.

Para 4 personas.



FAJITAS DE POLLO

Con fuego Directo Intensidad Media

Marinado:

- 1/4 taza de aceite
- 3 cucharadas soperas de jugo de limón
- 2 cucharadas soperas de vinagre de vino tinto
- 2 cucharadas soperas de cebollas cortadas muy finas
- 1 diente de ajo, picado
- 1/2 cucharadita de azúcar
- 1/2 cucharadita de hojas de orégano seco
- una pizca de sal
- una pizca de pimienta
- una pizca de comino en polvo

- 6 medias pechugas de pollo sin hueso y sin piel
- 4 tomates, cortados en rojas de 1 cm
- 1 cebolla roja, cortada en rodajas de 1 cm
- 1 pimiento picante rojo ó amarillo, sin rabo y sin pepitas y cortados en trozos
- 6 tortillas (estilo mejicano) grandes de harina
- 1 aguacate, en rodajas
- Salsa

En un platón llano, no metálico, mezcle todos los ingredientes del marinado. Prepare el marinado. Añada el pollo, dándole la vuelta para extender el marinado por todas partes. Cúbralo y guárdelo en el frigorífico durante 4 horas, removiendo de vez en cuando. Retire las pechugas de pollo del marinado y tire el marinado. Cocine a la parrilla las pechugas de pollo hasta que la carne pierda su color rosado, durante 8 ó 12 minutos, dándole la vuelta una vez. Véase la página 32 para los tiempos de cocinado de los tomates, cebollas y pimientos. Envuelva las tortillas en papel de aluminio y colóquelas sobre la bandeja de asado. Calíentelas durante un minuto. Corte los pimientos en tiras y parta en rodajas el pollo. Coloque las rodajas de pollo, los tomates, cebollas, los pimientos y el aguacate en las tortillas calientes y enróllelas, y estarán listas para comer. Sírvanse con salsa.

Para 6 personas.



Fajitas De Pollo

Consejo Weber

Si se va a utilizar una salsa para colocarla sobre la carne mientras se hace, divida la salsa y utilice una parte para colocarla mientras se cocina la carne y otra para servirla en la mesa. Si utiliza marinado que haya sido usado con carnes ó pescados frescos, hágalo hervir de forma intensa durante 10 segundos completos antes de utilizarlo como salsa ó guarnición.





Róbalo (Ó Similar) Con Pimientos A La Vinagreta

RÓBALO (Ó SIMILAR) CON PIMIENTOS A LA VINAGRETA

Directo Fuego Alto
de www.weber.com®

Para la vinagreta:

- 3 pimientos grandes, preferentemente rojos, amarillos ó verdes
- 3 cucharas soperas de aceite de oliva virgen
- 2 cucharas soperas de jugo de naranja
- 2 cucharas soperas de perejil liso ó rizado picado muy fino
- 1 cuchara soperas de jugo de limón
- 1/2 cuchara de ajo picado
- 1/2 cuchara de comino molido
- 1/4 de cuchara de sal
- 1/4 de cuchara de pimienta negra molida en el momento
- 1/4 de cuchara de Tabasco

- 4 Filetes de róbalo de unos 200 g cada uno y unos 2,5 cm de gruesos
- Aceite de oliva virgen
- Sal
- Pimienta molida en el momento

Para hacer la vinagreta: Asar los pimientos (gas ó carbón: directo, fuego alto) hasta que la piel esté ligeramente quemada por todos los lados, unos 10 a 12 min. dándoles la vuelta cada 3 a 4 min. Sacarlos de la parrilla y envolverlos en papel cerrando firmemente. Esperar unos 10 a 15 min. para que se enfríen un poco. Sacar los pimientos de su envoltorio

quitando la piel quemada. Cortar por arriba para quitar las semillas y cortar los pimientos en tiras de 1 cm aprox. y dejarlos reposar. En un tazón tamaño medio mezclar todos los demás ingredientes para la vinagreta. Ponga ahora las tiras de pimientos en la vinagreta dejando todo reposar durante un día.

Cubrir ligeramente los filetes de pescado con aceite con ayuda de un pincel. Aderezarlos con sal y pimienta. Asarlos a fuego alto, método directo hasta que la carne esté opaca en el centro durante unos 5 a 7 min., dándoles la vuelta una vez. Sacar de la barbacoa ó asador. Se sirve caliente, repartiendo la vinagreta por encima con una cuchara.

Para 4 personas.



BROCHETAS DE LANGOSTINOS CON MANTEQUILLA AL CURRY

Directo Alto

Mantequilla al curry:

- 1/2 taza de mantequilla
- 2 cucharadas soperas de cebolla cortada muy fina
- 1 cucharadita de eneldo fresco picado
- 1 – 1-1/2 cucharaditas de curry en polvo
- Una pizca de ajo en polvo
- 1 kg de langostinos grandes con cáscara y limpios
- Aceite de oliva
- Rodajas de limón ó de lima
- Eneldo fresco ó ramas de perejil

Haga la mantequilla al curry: Derrita la mantequilla en una cazuela pequeña sobre fuego de intensidad media - alta. Añada la cebolla, el eneldo, el curry en polvo y el ajo en polvo; cocínelo durante 5 minutos.

Ensarte los langostinos en seis pinchos de brochetas de 30 cm, dejando espacio entre cada trozo de langostino. Extienda un poco de aceite de oliva con un pincel sobre los langostinos. Cocínelos a la parrilla hasta que los langostinos estén tiernos y se vuelvan de color rosado, entre 2 y 5 minutos, en función del tamaño. Dé la vuelta a los pinchos una vez y extienda un poco de mantequilla al curry a mitad de tiempo de cocinado. Coloque las brochetas cocinadas en un platón para

servir. Decore la fuente con las rodajas de lima y con el eneldo.

Para 4 personas.

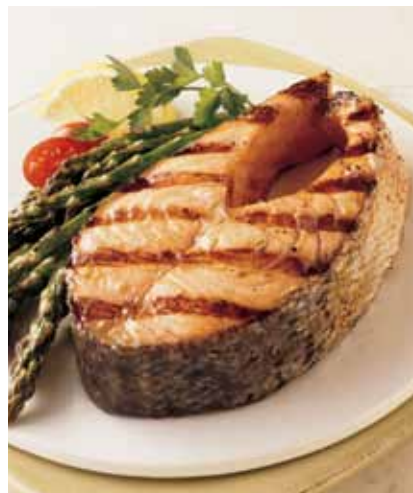


FILETE DE SALMÓN DE KIOTO

Con fuego Directo Alto

- 1/3 taza de salsa de soya
- 1/4 taza de concentrado de jugo de naranja
- 2 cucharadas soperas de aceite
- 2 cucharadas soperas de salsa de tomate
- 1 cucharadita de jugo de limón
- 1/2 cucharadita de mostaza preparada
- 1 cucharada soperas de cebolla verde y su corona, picada
- 1 diente de ajo, picado
- 1/2 cucharadita de jengibre, picado
- 4 filetes de salmón, de 2-1/2 cm de grosor
- Aceite de oliva

Para hacer el marinado, mezcle todos los ingredientes excepto los filetes de salmón; vierta la mezcla sobre los filetes de salmón en una bandeja llana de cristal. Cúbralo y guárdelo en el frigorífico de 30 a 60 minutos. Escurre el salmón y guarde el marinado. Vierta el resto del marinado que ha guardado en una cazuela pequeña. Póngala a hervir sobre fuego vivo y deje que hierva durante 10 segundos completos. Extienda un poco de aceite de oliva con un pincel sobre el



Filete De Salmón De Kioto

pescado y colóquelo en la parrilla de asado. Cocínelo a la parrilla hasta que el pescado esté tierno 6 y 8 minutos para medio crudo, y extienda con un pincel un poco de marinado a mitad de tiempo de preparación.

Para 4 personas.





Tomates Rellenos Asados Con Ratatouille

TOMATES RELLENOS ASADOS CON RATATOUILLE

Directo Calor Medio
de www.weber.com®

- 4 tomates rojos grandes
- sal

Para el relleno:

- 1 cebolla morada mediana cortada en trozos de 1/2 cm aprox.
- 1 pimiento rojo mediano limpio cortado en trozos
- 1 calabacín mediano cortado en rodajas de 1 cm de grosor
- aceite virgen de oliva
- pimienta negra molida en el momento
- 2/3 de taza de mozzarella cortada
- 1 cuchara sopera de albahaca fresca cortada muy fina
- 1 cuchara sopera de vinagre a la albahaca ó al estragón

Cortar las partes de arriba de cada tomate (aprox. 1 cm) y tirarlos. Con un cuchillo pequeño muy afilado se corta alrededor por dentro de los tomates sin dañar las paredes ni el fondo, vaciándolos con ayuda de una cuchara. Dejar aprox. 1/2 cm de carne de tomate adherido a la piel. Tirar las semillas y el jugo para hacer sitio para el relleno. Sazonar ligeramente con sal por dentro de los tomates. Después ponerlos bocabajo y cortarlos por la mitad de arriba a bajo dejándolos reposar sobre papel de cocina en un plato mientras se prepara el relleno.

Para el relleno: Con ayuda de un pincel de cocina cubrir ligeramente con aceite la cebolla, el pimiento y el calabacín. Sazonar con sal y pimienta. Asar (método directo, calor medio) hasta que estén tiernos, las cebollas precisan de 8 a 10 minutos y los pimientos y calabacines unos 6 a 8 min. Después colocar todo encima de una madera de cocina para cortar todo en trozos de 1/2 cm. En un tazón medio poner las verduras, el queso, el albahaca y el vinagre. Mezclar todo.

Con ayuda de una cuchara rellenar los tomates. Asar los tomates rellenos durante unos 8 a 12 minutos (método indirecto, calor medio) hasta que el queso esté fundido y las verduras calientes. Servir inmediatamente.

Para 4 personas.



PAPAS RELLENAS A LA PARRILLA

Con fuego Indirecto Intensidad Media

- 3 papas grandes para asar
- 3 cucharadas soperas de mantequilla ó margarina
- 2 yemas de huevo
- 1/2 taza de crema agria
- 1 cucharada soperas cebolletas picadas una pizca de sal
- 2 cucharadas soperas de queso cheddar fuerte
- 1/4 taza de cabezas de brócoli

Lave y seque las papas. Haga agujeros en las papas con un tenedor. Cocínelas en la parrilla hasta que se cuezan, aprox. 1 hora. Corte las papas por la mitad. Quite la parte de dentro de cada papa con una cuchara, dejando sólo la piel. Machaque las papas con la mantequilla mientras estén calientes. Mezcle las yemas de huevo con la crema agria; mézclelo a su vez con las papas, las cebolletas y con sal. Ponga toda la mezcla a modo de montón sobre la piel de las papas.

Coloque las papas rellenas sobre la parrilla de asado y cocínelas hasta que las papas estén calientes de forma homogénea, durante aprox. 10 minutos. Ponga por encima el queso y déje las papas un poco más en la barbacoa ó asador hasta que el queso se derrita. Decore la parte de arriba con el brócoli antes de servir.

Para 6 personas.



PARAÍSO A LA PARRILLA

Indirecto Calor Medio
de "El gran libro de barbacoas" de Weber™

Para el glasé:

- 3/4 de taza de jugo de naranja exprimido en el momento
- 1 cuchara soperas de miel
- 1 cuchara soperas de jugo de lima exprimido en el momento
- 2 cucharaditas de maicena
- 4 rodajas de piña natural, 1 – 1-1/2 cm de grosor
- 1 cucharadita de granos secos de pimienta verde ó granos de pimienta negra
- 4 porciones de helado de vainilla

Para hacer el glasé: en un pequeño sartén mezclar todos los ingredientes para el glasé y remover hasta que todo esté bien mezclado. Hervir (calor medio alto) hasta que esté espeso (1 a 2 minutos) Mantenga el glasé caliente ó vuelva a calentarlo en el momento de servir.

Sazonar ambos lados de las rodajas de piña con los granos de pimienta. Asarlas (método indirecto, calor medio) unos 6 a 8 minutos dándoles la vuelta una vez. Servir las piñas con las porciones de helado repartiendo el glasé caliente por encima.

Para 4 personas.



Paraíso A La Parrilla



GUIA PARA LA COCCIÓN

Los siguientes cortes, grosores, pesos y tiempos de cocción sólo son indicativos y, en ningún caso, reglas fijas e inalterables. Los tiempos de cocción dependen de la altura sobre el nivel de mar, el viento, la temperatura exterior y el grado de cocción deseado. Dos reglas de oro: Para filetes, chuletas, filetes de pescado, piezas de ave sin hueso y verduras se ha de utilizar el método directo según el

esquema ó según el punto de cocción deseado, dándole la vuelta a los alimentos una vez. Para asados, aves enteras, trozos de aves con hueso, pescados enteros, cortes gruesos de carnes etc. se debe usar el método indirecto durante el tiempo indicado en el esquema ó, midiendo con un termómetro de lectura instantánea, hasta que la temperatura interna de los

alimentos llegue a los grados deseados. El tiempo de cocción para carne de res está indicado según la definición en EE.UU. término medio crudo, si no se indica lo contrario. Los asados, piezas grandes de carne y chuletones hay que dejarlos reposar durante 5 a 10 minutos antes de cortarlos. La temperatura interna de la carne aumentara de 5 a 10°C durante este tiempo.

Carne de Ternera	Grosor/Peso	Tiempo Aproximado de Cocción
Bisteces: New York, chuleta de dos lomos, "rib-eye", churrasco o lomo de cerdo)	3/4"	4-6 minutos con fuego alto directo
	1"	5-8 minutos; marcar con fuego alto directo 4-6 minutos ase 1-2 minutos fuego alto indirecto
	1-1/2"	10 – 14 minutos; marcar con fuego alto directo 6 – 8 minutos ase 4-6 minutos fuego alto indirecto
Falda	1-1/2 lb. a 2 lb.; 3/4"	8-10 minutos fuego alto directo
Hamburguesas	3/4"	8-10 minutos con fuego alto directo

Cerdo	Grosor/Peso	Tiempo Aproximado de Preparación
Chuletas (lomo, costillas)	3/4"	6 – 8 minutos con fuego alto directo
	1"	8 – 10 minutos con fuego medio directo
Costillas de cerdo, de lomo	1-1/2 - 2 lbs.	3 – 4 horas con fuego bajo indirecto
Costillas de cerdo, con poca carne	2-1/2 - 3-1/2 lbs.	3 – 4 horas con fuego bajo indirecto
Costillas de cerdo, estilo campestre, con hueso	3 a 4 lb.	1-1/2 – 2 horas con fuego medio indirecto

Aves	Grosor/Peso	Tiempo Aproximado de Cocción
Pechugas de pollo, sin hueso, sin piel	6-8 oz.	8 – 12 minutos con fuego medio directo
Muslos de pollo, sin hueso, sin piel	4 oz.	8 – 10 minutos con fuego alto directo
Pollo en trozos, con hueso, pechugas	10-12 oz.	30 – 40 minutos con fuego medio indirecto
Pollo en trozos, con hueso, muslos y piernas		30 - 40 minutos con fuego medio indirecto
Pollo en trozos, con hueso, alas	2-3 oz.	18 – 20 minutos con fuego medio directo
Pollo, entero	3-1/2 a 4-1/2 lb.	1 – 1-1/2 horas con fuego medio indirecto
Gallinitas de caza	1-1/2 a 2 lb.	30 – 45 minutos con fuego alto indirecto
Pavo, entero, sin relleno	10 a 12 lb.	2-1/2 – 3-1/2 horas con fuego bajo indirecto
	13 a 15 lb.	3-1/2 – 4-1/2 horas con fuego bajo indirecto

Pescado y Mariscos	Grosor/Peso	Tiempo Aproximado de Cocción
Pescado, filete o rodajas	1/4" a 1/2"	3 – 5 minutos con fuego alto directo
	1" a 1-1/4"	10 – 12 minutos con fuego alto directo
Pescado, entero	1 lb.	15 – 20 minutos con fuego medio indirecto
	3 lb.	30 – 45 minutos con fuego medio indirecto
NOTA: Norma general para cocinar pescado en el asador: 4-5 minutos por cada 1/2" de grosor; 8-10 minutos por cada 1" de grosor		

Verduras	Tiempo Aproximado de Cocción
Espárragos	6 – 8 minutos con fuego medio directo
Elotes (Maíz), con hojas / sin hojas	25 – 30 minutos con fuego medio directo, con hojas / 10 – 15 minutos con fuego medio directo, sin hojas
Hongos, "shiitake" o champiñón	8 – 10 minutos con fuego medio directo, shiitake / 10– 15 minutos con fuego medio directo, champiñón
Cebolla, mitad / 1/2" rodajas	35 – 40 minutos con fuego medio indirecto / 8 – 12 minutos con fuego medio directo
Papas, enteras / 1/2" rodajas	45 – 60 minutos con fuego medio indirecto / 14 – 16 minutos con fuego medio directo



WWW.WEBER.COM®