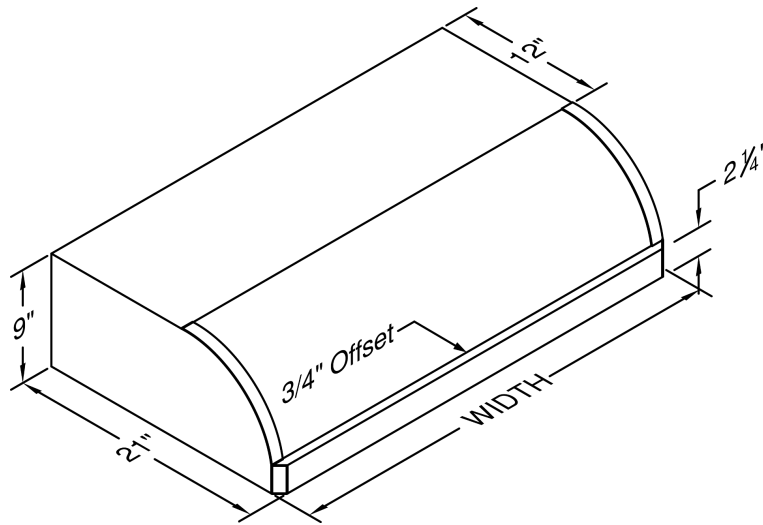


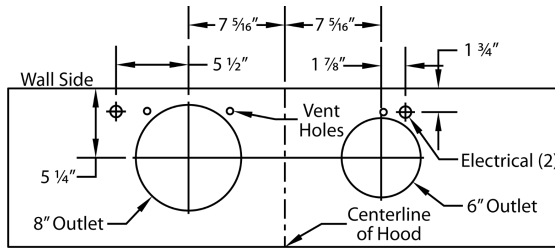
Model Number: XRH9-342

Special Notes: LED lights. WL-1 warming lights are available on selected models.

| | |
|------------------|-----|
| WIDTH: | 42" |
| DEPTH: | 21" |
| HEIGHT: | 9" |
| CFM: | 900 |
| SONES: | 6.3 |
| AMPS: | 6.0 |
| # LIGHTS: | 3 |

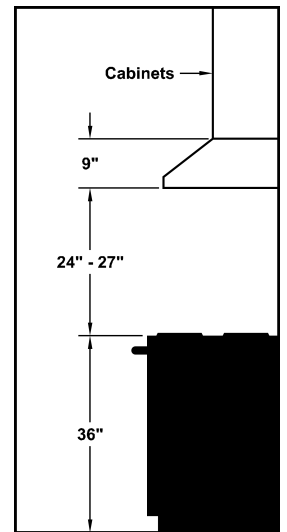


CONNECTION DIAGRAM

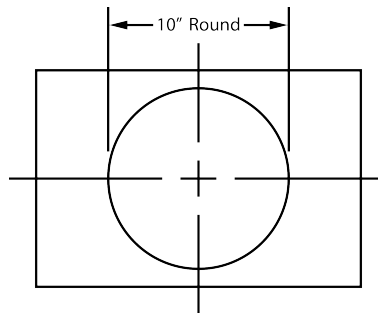


900 CFM B200 Dual & B100 Single Blower (Top View)

REC. MOUNTING HEIGHT*



* Exceeding recommended mounting height may compromise performance.



VP562 transition centers outlet over top of hood.

ELECTRICAL/MECHANICAL SPECIFICATIONS FOR BLOWER UNIT

| MODEL | VOLTS | AMPS+ | HZ | RPM | CFM SP@0.0" | EQUIV CFM\$ | CFM SP@0.1" | CFM SP@0.2" | CFM SP@0.3" | MIN. ROUND DUCT SIZE | SONES# |
|-------------------------|-------|-------|----|------|-------------|-------------|-------------|-------------|-------------|----------------------|--------|
| B200 Dual & B100 Single | 115 | 6.0 | 60 | 1550 | 900 | 1350 | 804 | 725 | 655 | 10" (79 sq. in.) | 6.3 |

+ Add 2.5 amps for each warming light. This model is equipped with LED lighting: (2 lights: 30" - 41", 3 lights: 42" - 48").

\$ Because the Magic Lung blower uses centrifugal filtration rather than conventional baffle or mesh filters, the Magic Lung blower can handle cooking equipment with higher cubic feet per minute (CFM) requirements and can deliver equivalent CFM much more efficiently than other filtration systems. When comparing the Magic Lung with other blower units made by other manufacturers, use the "Equivalent CFM".

Ratings in accordance with the Standard Test Code by the Energy Systems Laboratory of the Texas Engineering Experiment Station.