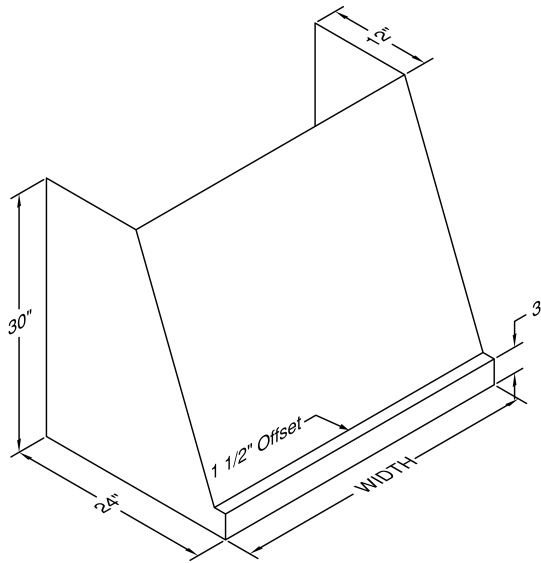


### PWVH30-136

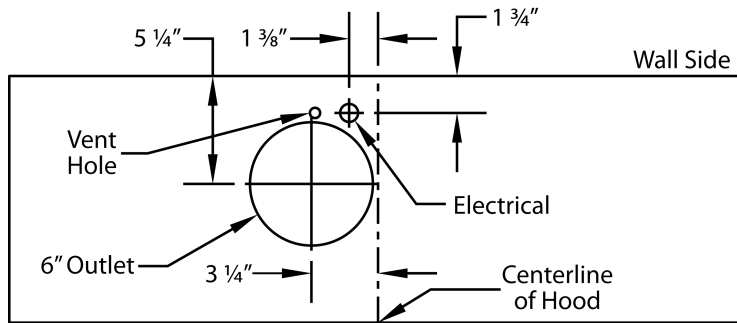
Halogen lights. WBAR warming light bar is available on selected models.

#### Dimensional Information

|               |       |
|---------------|-------|
| Width         | 36.0  |
| Depth         | 24.0  |
| Height        | 30.0  |
| CFM @ 0.0" SP | 300.0 |
| Sones         | 5.4   |
| Amps          | 2.5   |
| # Lights      | 2.0   |

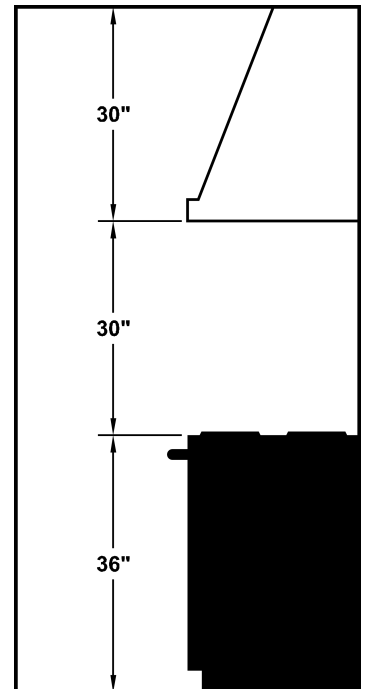


#### Connection Diagram



300 CFM B100 Single Blower (Top View)

#### Recommended Mounting Height\*



\*Exceeding recommended mounting height may compromise performance.

#### Electrical/Mechanical Specifications For Blower Unit

| Model       | Volts | Amps* | Hz   | RPM    | CFM SP@0.0" | Equivalent CFM | CFM SP@0.1" | CFM SP@0.2" | CFM SP@0.3" | Minimum Round Duct Size | Sones# |
|-------------|-------|-------|------|--------|-------------|----------------|-------------|-------------|-------------|-------------------------|--------|
| B100 Single | 115.0 | 1.5   | 60.0 | 1550.0 | 300.0       | 450.0          | 273.0       | 245.0       | 225.0       | 6" (28 sq. in.)         | 5.4    |

+ Add 2.5 amps for each warming light. This model is equipped with halogen lighting: (2 lights: 30" - 41", 3 lights: 42" - 48").

\$ Because the Magic Lung® blower uses centrifugal filtration rather than conventional baffle or mesh filters, the Magic Lung® blower can handle cooking equipment with higher cubic feet per minute (CFM) requirements and can deliver equivalent CFM much more efficiently than other filtration systems. When comparing the Magic Lung® with other blower units made by other manufacturers, use the "Equivalent CFM".

# Ratings in accordance with the Standard Test Code by the Energy Systems Laboratory of the Texas Engineering Experiment Station.