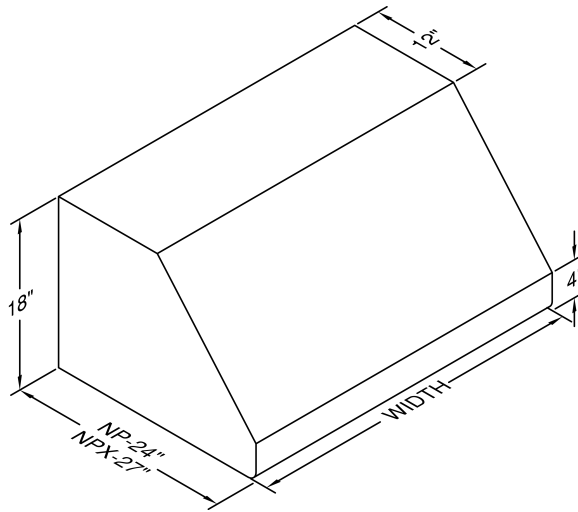


### NPH18-460

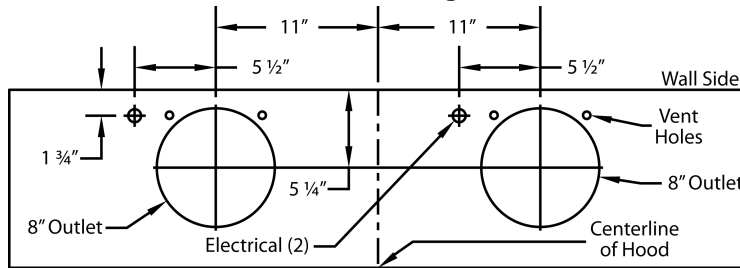
Halogen lights. WBAR warming light bar is available on selected models.

#### Dimensional Information

|               |        |
|---------------|--------|
| Width         | 60.0   |
| Depth         | 24.0   |
| Height        | 18.0   |
| CFM @ 0.0" SP | 1200.0 |
| Sones         | 6.6    |
| Amps          | 7.8    |
| # Lights      | 4.0    |

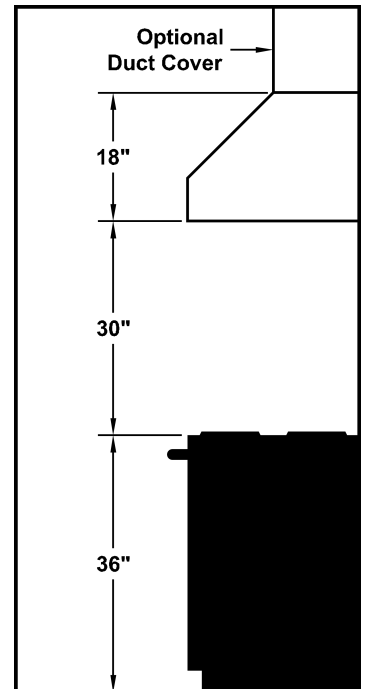


#### Connection Diagram

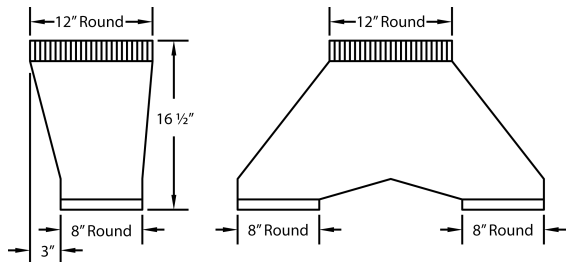


1200 CFM Double B200 Dual Blowers (Top View)

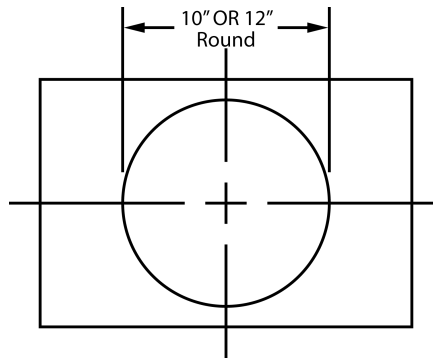
#### Recommended Mounting Height\*



\*Exceeding recommended mounting height may compromise performance.



VP563 Transition (Optional) For B400 (Double B200 Dual Blowers)



VP563 transition centers outlet over top of hood.

#### Electrical/Mechanical Specifications For Blower Unit

| Model          | Volts | Amps* | Hz   | RPM    | CFM SP@0.0" | Equivalent CFM | CFM SP@0.1" | CFM SP@0.2" | CFM SP@0.3" | Minimum Round Duct Size | Sones# |
|----------------|-------|-------|------|--------|-------------|----------------|-------------|-------------|-------------|-------------------------|--------|
| Two B200 Duals | 115.0 | 5.8   | 60.0 | 1550.0 | 1200.0      | 1800.0         | 1062.0      | 960.0       | 860.0       | 12" (113 sq. in.)       | 6.6    |

+ Add 2.5 amps for each warming light. This model is equipped with halogen lighting: (2 lights: 30" - 41", 3 lights: 42" - 53", 4 lights: 54" - 66").

\$ Because the Magic Lung® blower uses centrifugal filtration rather than conventional baffle or mesh filters, the Magic Lung® blower can handle cooking equipment with higher cubic feet per minute (CFM) requirements and can deliver equivalent CFM much more efficiently than other filtration systems. When comparing the Magic Lung® with other blower units made by other manufacturers, use the "Equivalent CFM".

# Ratings in accordance with the Standard Test Code by the Energy Systems Laboratory of the Texas Engineering Experiment Station.