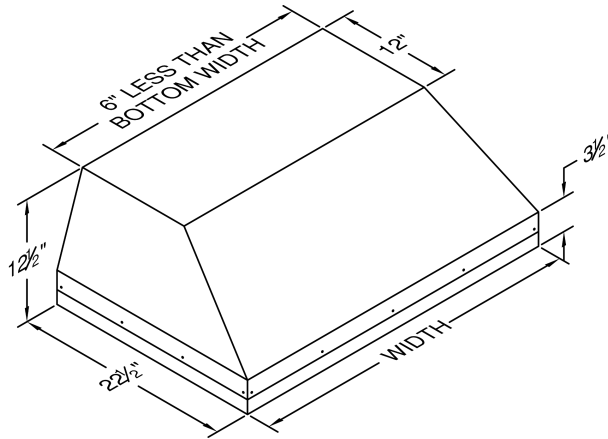


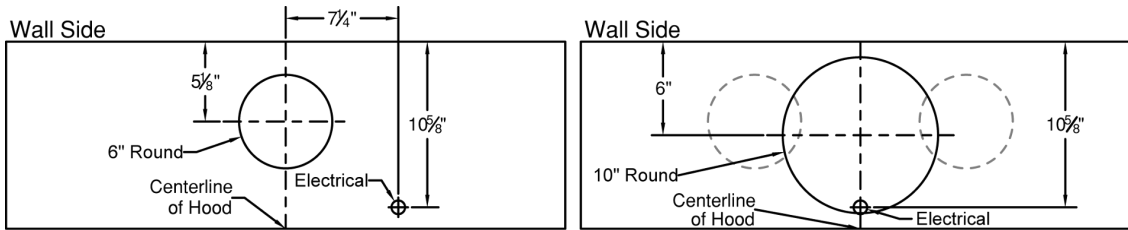
Model Number: M46PSLD

Special Notes: LED GU10 lighting. M600 and M1200 blowers are sold separately. Features stainless steel baffle filters.

| | |
|------------------|-----------|
| WIDTH: | 46 3/8" |
| DEPTH: | 22 1/2" |
| HEIGHT: | 12 1/2" |
| CFM: | (Chart A) |
| SONES: | N/A |
| AMPS: | (Chart B) |
| # LIGHTS: | 3 |

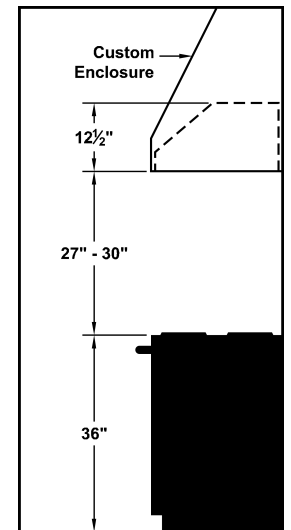


CONNECTION DIAGRAM



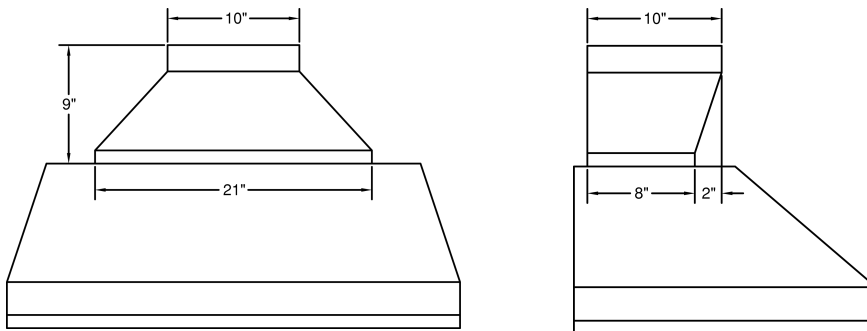
M600 & M1200 Connection Diagrams

REC. MOUNTING HEIGHT*



* Exceeding recommended mounting height may compromise performance.

VP566 Transition Details (Included with M1200)



(Front View)

(Side View)

(CHART B)

| SPEED | CFM @ 0.1" S.P. | | |
|-------|-----------------|----------|-------|
| | M600 | WHM300 * | M1200 |
| 1 | 240 | 240 | 420 |
| 2 | 300 | 300 | 645 |
| 3 | 500 | - | 865 |
| 4 | 625 | - | 1015 |

* The WHM300 is a wiring harness that when used with the M600 blower (sold separately) will disable blower speeds exceeding 300 CFM.

(CHART A) ELECTRICAL/MECHANICAL SPECIFICATIONS FOR BLOWER UNIT

| MODEL | VOLTS | AMPS+ | HZ | CFM SP@0.0" | CFM SP@0.1" | CFM SP@0.25" | CFM SP@0.5" | CFM SP@0.75" | MIN. ROUND DUCT SIZE |
|-----------------------|-------|-------|----|-------------|-------------|--------------|-------------|--------------|----------------------------|
| M600 Single | 115 | 5.0 | 60 | 630 | 625 | 615 | 600 | 580 | 6" (28in. ^{^2}) |
| M600 w/WHM300 Harness | 115 | 5.0 | 60 | 302 | 300 | 295 | 288 | 278 | 6" (28in. ^{^2}) |
| M1200 Dual | 115 | 10.0 | 60 | 1035 | 1015 | 1000 | 995 | 915 | 10" (79in. ^{^2}) |

+Add 0.5 amp for each halogen light. Hoods are available with halogen lights (2 lights: 30" - 41", 3 lights: 42" - 53", 4 lights: 54" - 66").