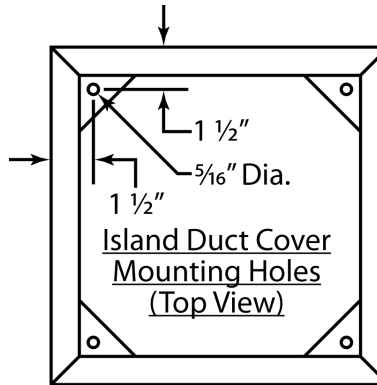
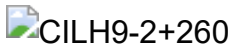


| [PRINT](#) | [CLOSE](#) |

Vent-A-Hood
MODEL NUMBER: CILH9-2+260 **ISLAND SPECIFICATIONS**

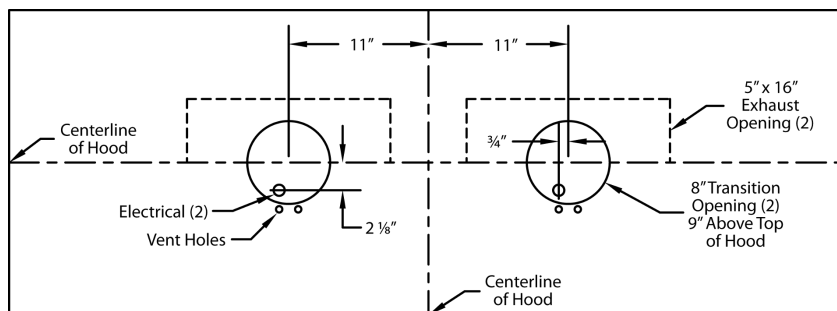
Special Notes: LED lights. This model is not available with heat lamps. Shown with optional duct covers (sold separately). Optional duct covers are available in standard and custom sizes. Galley rail included.

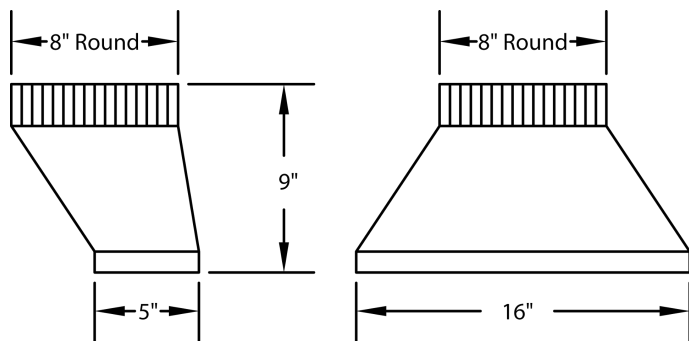
WIDTH :	60"
DEPTH :	30"
HEIGHT :	9"
CFM :	1100
SONES :	6.0
Amps :	7.5
Num. Lights :	6



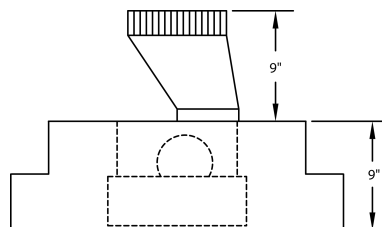
CONNECTION DIAGRAM

**REC. MOUNTING
HEIGHT**

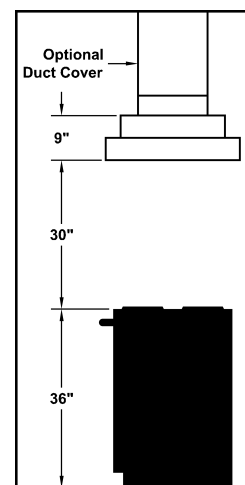




VP565 Standard Transition (Two Included)



Transition Installed (Side View)



*Exceeding recommended mounting height may compromise performance.

ELECTRICAL/MECHANICAL SPECIFICATIONS FOR BLOWER UNIT

Model	Volts	Amps+	Hz	RPM	CFM SP@0.0"	Equiv. CFM\$	CFM SP@0.1"	CFM SP@0.2"	CFM SP@0.3"	Min. Round Duct Size	Sones#
Two T200 Island Duals	115	7.5	60	1550	1100	1800	1014	942	862	Two 8" (50 sq. in.)	6.0

+ This model is equipped with LED lighting (6 lights: 60" - 66").

\$ Because the Magic Lung® blower uses centrifugal filtration rather than conventional baffle or mesh filters, the Magic Lung® blower can handle cooking equipment with higher cubic feet per minute (CFM) requirements and can deliver equivalent CFM much more efficiently than other filtration systems. When comparing the Magic Lung® with other blower units made by other manufacturers, use the "Equivalent CFM".

Ratings in accordance with the Standard Test Code by the Energy Systems Laboratory of the Texas Engineering Experiment Station.