

# Undercounter Dishwasher

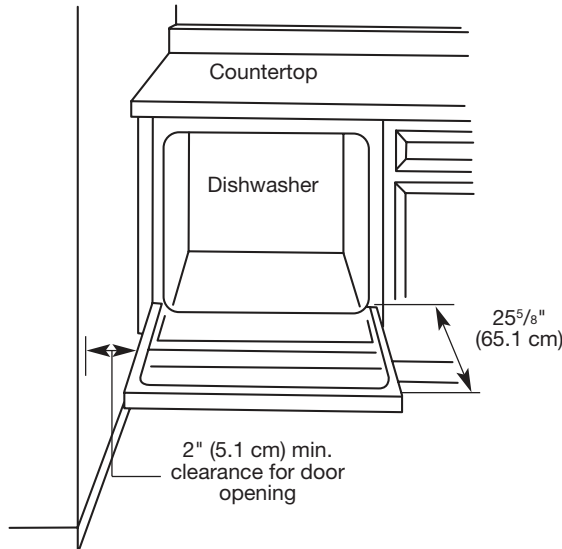
## PRODUCT MODEL NUMBERS

UDT555SAFP

## Minimum Clearances

### NOTES:

- Corner locations require 2" (5.1 cm) minimum clearance between the side of the dishwasher door and the wall or cabinet.
- A minimum of 25<sup>5</sup>/<sub>8</sub>" (65.1 cm) is required in front of the dishwasher to allow the door to open fully.
- Opening should be square, and the floor should be level.



## Electrical Requirements

- 120 volt, 60 Hz, AC-only, 15 or 20 amp., fused electrical supply
- Copper wire only, 2-wire with ground

### Recommended:

- Time-delay fuse or circuit breaker
- Separate circuit

## Drain Requirements

- Use the new drain hose supplied with your dishwasher.

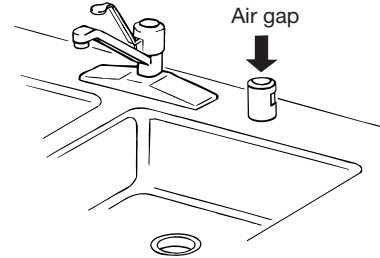
**NOTE:** If a longer drain hose is required:

- Use a new drain hose with maximum length of 10 ft (3 m) that meets all current AHAM/IAPMO test standards.
- Use a new drain hose that is resistant to heat and detergent.
- Use a new drain hose that fits the 1" (2.5 cm) drain connector on the dishwasher.
- Connect drain hose to waste tee or disposal inlet above drain trap in house plumbing.
- Connect drain hose to house plumbing 20" (50.8 cm) minimum above the floor.

**NOTE:** It is recommended that the drain hose either be looped up and securely fastened to the underside of the counter, or be connected to an air gap.

- Use an air gap if the drain hose is connected to house plumbing lower than 18" (45.7 cm) above the subfloor or floor.

## Drain Air Gap



- Use 1/2" minimum I.D. drain line fittings.

**NOTE:** Do not connect drain lines from other devices to the dishwasher drain hose.

## Water Supply Requirements

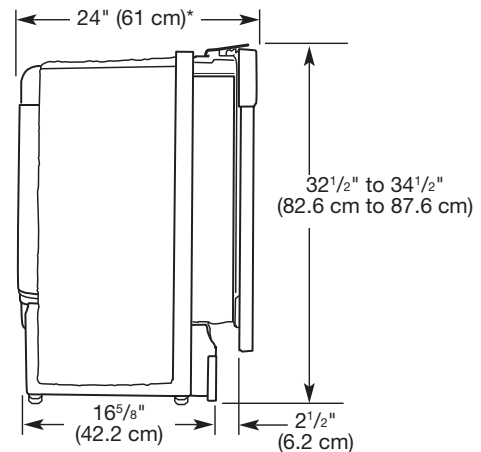
- A hot water line with 20-120 psi (138-862 kPa) water pressure.
- 120°F (49°C) water at dishwasher.
- 3/8" O.D. copper tubing with compression fitting or flexible stainless steel braided fill line

**NOTE:** 1/2" minimum plastic tubing is not recommended.

- A 90° elbow with 3/8" N.P.T. external pipe threads on one end.

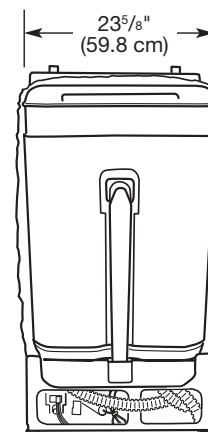
**IMPORTANT:** Do not solder within 6" (15.2 cm) from water inlet valve.

## Product Dimensions



\*To front of door frame

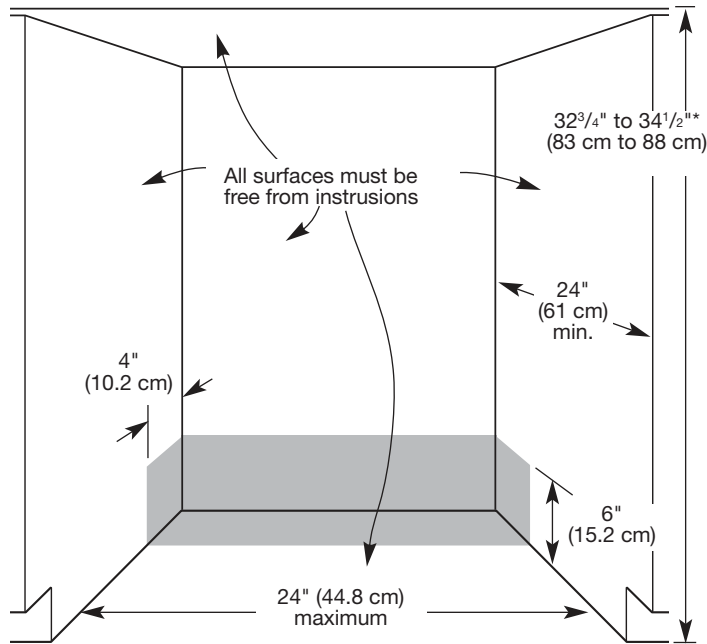
### SIDE VIEW



### REAR VIEW

## Installation Clearances

### Cabinet Cutout Dimensions



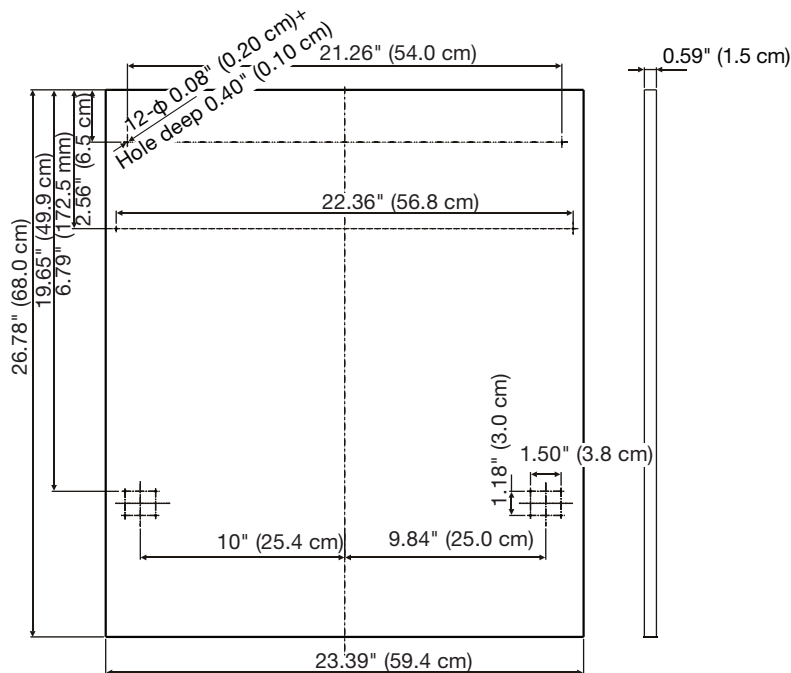
\* Underside of countertop to floor

### NOTES:

- Cut holes in shaded area of cabinet walls or floor for plumbing and electrical service.
- ADA installation, 32<sup>1</sup>/<sub>2</sub>" (82.5 cm) beneath 34" (86.4 cm) high countertops may be accomplished by adjusting the toekick and leveling legs.

## Custom Panel Dimensions and Installation

Custom panel should be constructed according to diagram below.



(Unit: inch/cm)

Install the hook on the custom panel and insert the hook into the slot on the outer door of the dishwasher. After positioning the panel, attach the panel to the outer door with screws and bolts.