

T36IT800NP

36-INCH FLUSH CUSTOM FRENCH DOOR BOTTOM FREEZER

FREEDOM® COLLECTION



FEATURES & BENEFITS

- Freedom® Hinge enables true flush design
- Full-height door—true cabinet integration without exposed venting grille
- All-LED sidewall and theater lighting
- Brightspace interior design
- Accepts custom or stainless steel panel kit panels

TEMPERATURE RANGES

Refrigeration	35°F (2°C) to 46°F (8°C)
Adjustable Temperature Drawer	32°F (0°C) to 37°F (3°C)
Deli Drawer	Just above 32°F (0°C)
SuperCool	35.5°F (2°C) for approximately 9 hours
Energy Saving (Economy) Mode	Refrigerator: 45°F (7°C) Freezer: 3°F (-16°C)
Freezer	-9°F (-23°C) to 7°F (-14°C)
SuperFreeze®	-9°F (-23°C) for approximately 52 hours

SEE PAGE 2 FOR OPTIONAL ACCESSORIES

GENERAL PROPERTIES

Panel Ready	Yes
Lighting	All-LED Sidewall and Theater Lighting
Full Width Shelves - Refrigerator	3
Adjustable Shelves - Refrigerator	2
Shelf Material - Refrigerator	Glass Shelves w/Metal Trim
Full Extension Drawers at 90° Door Opening Angle	Yes
Humidity Control Drawer	Yes
Door Bins - Refrigerator	6
Gallon Door Bins	2
Defrost Process - Freezer	Frost-Free
Freezer Drawers	1
Ice Maker	Yes
Door Open Alarm	Yes
SuperCool	Yes
SuperFreeze®	Yes
Special Modes	Sabbath, Economy, Vacation

CAPACITY

Total Unit Gross Capacity (cu. ft.) - AHAM	20 cu. ft.
Refrigerator Gross Capacity (cu. ft.)	14 cu. ft.
Freezer Gross Capacity (cu. ft.)	6 cu. ft.

TECHNICAL DETAILS

Watts (W)	588 W
Current (A)	15 A
Volts (V)	120 V
Frequency (Hz)	60 Hz
Power Cord Length (in.)	78 3/4"
Plug Type	120V 3-Wire

DIMENSIONS & WEIGHT

Appliance Dimensions (H x W x D) (in.)	84" x 35 3/4" x 24"
Required Cutout Size (H x W x D) (in.)	84" x 36" x 24 3/4"
Net / Gross Weight (lbs)	454 / 496 lbs

EFFICIENCY

ENERGY STAR® Qualified	Yes
Annual Energy Consumption	590 kWh

WARRANTY

Limited, Entire Appliance, Parts and Labor on Any Part of the Refrigerator that Fails Because of a Manufacturing Defect	2 Year
Limited Warranty for Sealed Refrigeration System*; Parts And Labor	3rd to 6th Year
Limited Warranty for Sealed Refrigeration System*; Parts Only	7th to 12th Year

* Sealed refrigeration system includes compressor, evaporator, condenser, dryer / strainer and connection tubing

T36IT800NP

36-INCH FLUSH CUSTOM FRENCH DOOR BOTTOM FREEZER

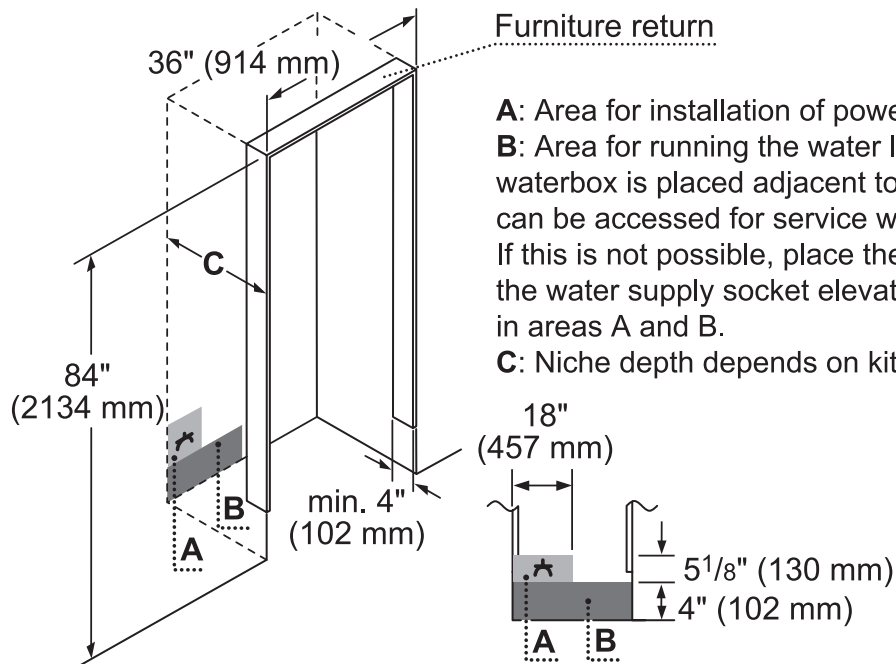
FREEDOM® COLLECTION



ACCESSORIES (OPTIONAL)

- Stainless Steel Panel Options:
 TFL36IT800 - Flat Stainless Steel Panel Kit
 TCH36IT800 - Chiseled Stainless Steel Panel Kit
-
- Handle Options:
 PR36HNDL10 - 36" Professional Handle
 MS36HNDL10 - 36" Masterpiece® Handle
-
- FRAMEKIT10 - Freedom® Frame Kit
-
- HEATRKIT10 - Freedom® Heater Kit
-
- Filters:
 REPLFLTR10 - Freedom® Water Filter
 SCRNFLTR10 - Filter By-Pass

CUTOUT DIMENSIONS



- A:** Area for installation of power connection.
- B:** Area for running the water line. It is recommended that the waterbox is placed adjacent to the installation cavity, so that it can be accessed for service without uninstalling the appliance. If this is not possible, place the recessed waterbox adjacent to the water supply socket elevated at the heights as referenced in areas A and B.
- C:** Niche depth depends on kitchen design.

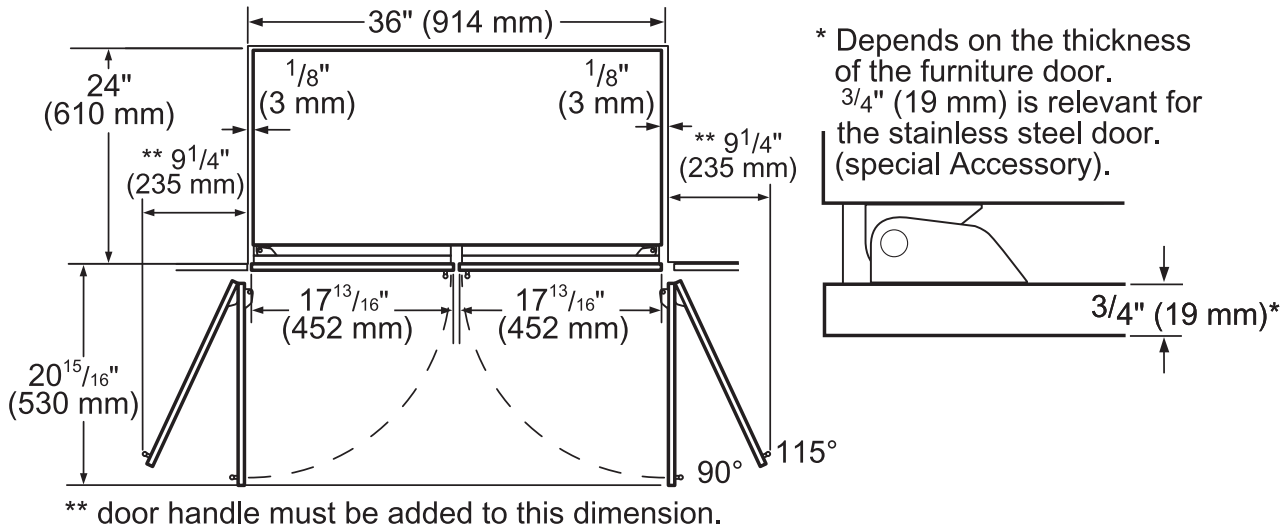
T36IT800NP

36-INCH FLUSH CUSTOM FRENCH DOOR BOTTOM FREEZER

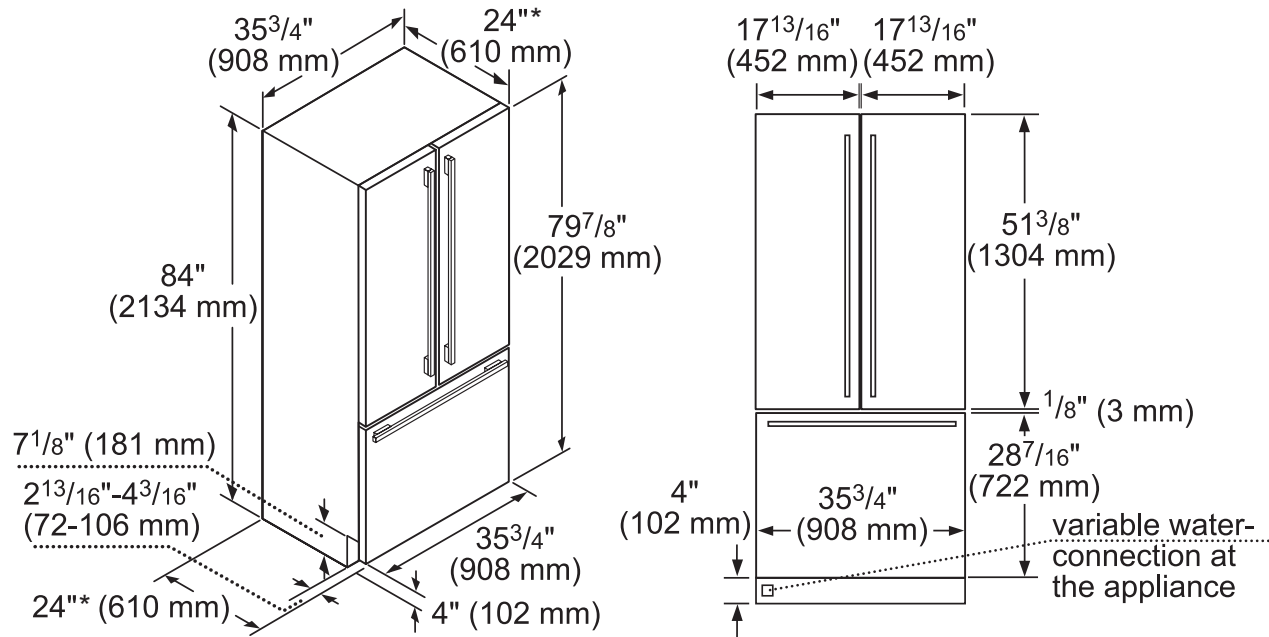
FREEDOM® COLLECTION



TOP VIEW CLEARANCE



PANEL DIMENSIONS



*Excludes thickness of door panel. If standard panel with 3/4" thickness is mounted, total depth is 24 3/4".

These warranties give you specific legal rights and you may have other rights that vary from state to state. Full warranty and limited warranty from date of installation. For complete warranty details, refer to your Use & Care manual, or ask your dealer.

Specifications are for planning purposes only. Refer to installation instructions and consult your countertop supplier prior to making counter opening. Consult with a heating and ventilation engineer for your specific ventilation requirements. For the most detailed information, refer to installation instructions accompanying product or write to Thermador indicating the model number. Specifications are correct at time of printing. Thermador reserves the right to change product specifications or design without notice. Some models are certified for use in Canada. Thermador is not responsible for products that are transported from the U.S. for use in Canada.