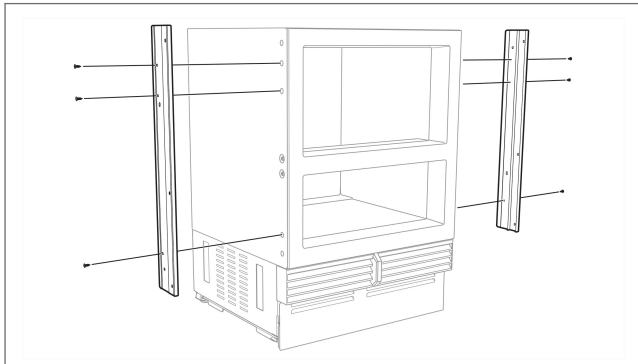


CONTENTS

2	Panel, drawer
2	Trim, cabinet side
1	Assembly, lock
1	Shim, plastic 3/32"
1	Shim, plastic 1/4"
1	Bracket, center
1	Pocket, lock
2	Washer
2	Nut
16	Screw, #8 x 32 x 1/2"

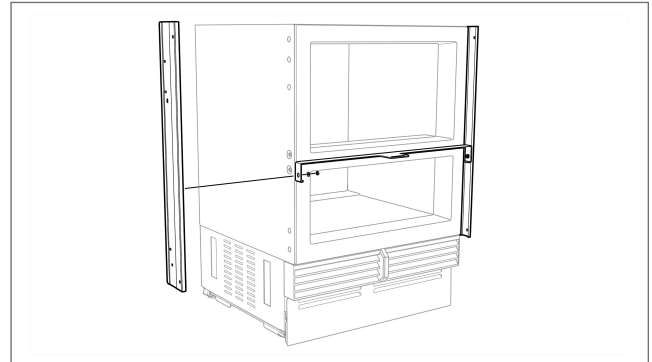
ID-24RO STAINLESS STEEL PANEL INSTALLATION

- 1 For panels without a lock, proceed to step 14.
- 2 Remove both drawers.
- 3 Remove the existing side mounting brackets.

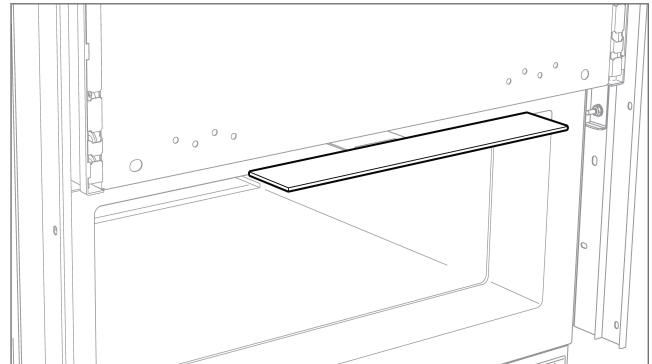


- 4 Install one of the new cabinet side trims using the existing screws. The mounting stud on the side trim should align with the bottom of the center mullion.
- 5 Place the center bracket onto the mounting stud, then loosely secure with a washer and a nut.

- 6 Install the remaining cabinet side trim using the existing screws, then loosely secure to the center bracket stud with a washer and a nut.



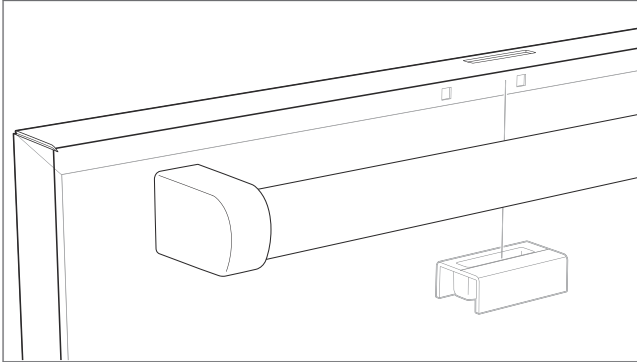
- 7 Install the upper drawer.
- 8 Place the 3/32 plastic shim above the center bracket and below the upper drawer.



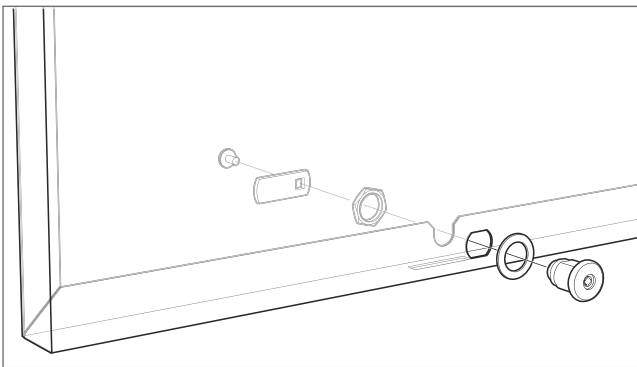
- 9 Move the center bracket up or down to achieve proper spacing, then tighten both nuts to secure each side of the bracket.
- 10 Discard the shim.
- 11 Install the bottom drawer.



- 12** Remove the paper backing from the lock pocket, align it with the square holes and the slot in the lower panel, then press to secure.

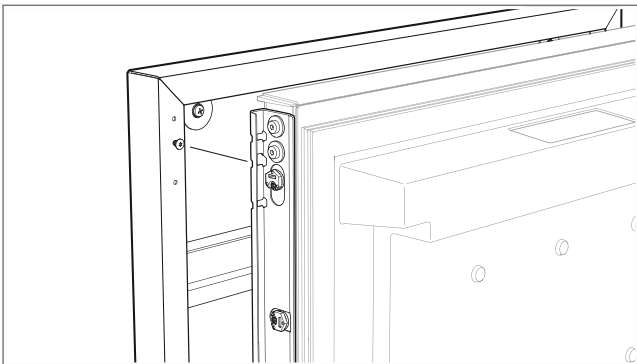


- 13** Install the lock assembly on the upper panel, then use the key to verify the cam rotates downward.



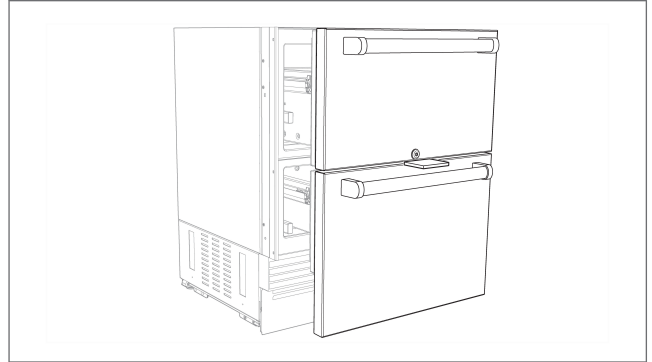
- 14** Partially insert a screw in the center hole on each side of the top set of holes for each panel.

- 15** Open the drawers and use the positioning screws to support and align the panels with the mounting brackets on each side of the drawer.



- 16** Install and secure the remaining screws through the brackets and into the panels.

- 17** Pull both drawers out slightly, then place the 1/4" shim between the upper and lower drawer panels.



- 18** To make panels adjustments, refer to the Integrated Refrigeration Installation Instructions.

- 19** Verify the operation of the lock, then discard the shim.

- 20** Align the trim with the bracket on the side of the drawer and snap into position.

