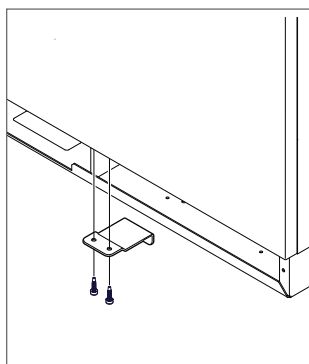


CONTENTS (Quantities double for dual installations.)

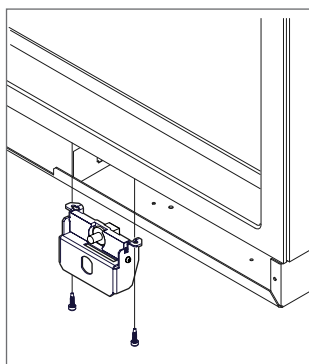
1	Lock
1	Screw, #10 x 5/8
2	Screw, #10 x 1/2 tamper proof
1	Cam, offset
1	Screw, wrench T20
2	Kickplate
1	Bracket, switch (freestanding models only)

INSTALLATION

- 1 Remove the kickplate and switch depressor by extracting two screws from each component.
- 2 Remove the switch bracket by extracting two screws then remove the wire connectors from the switch.

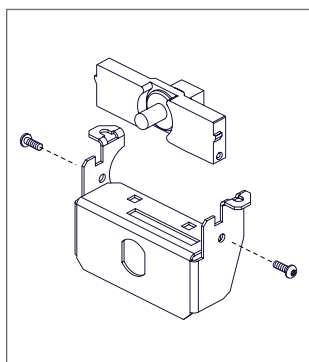


Remove switch depressor.

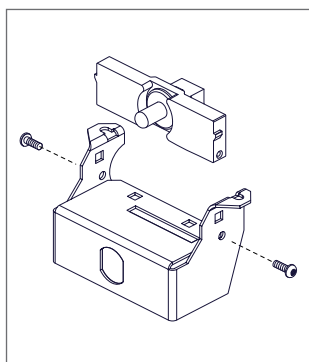


Remove switch bracket.

- 3 For all models except freestanding models, skip to step 5. For freestanding models, extract the switch from the switch bracket by removing two screws.
- 4 Install the switch into the freestanding switch bracket provided using the two existing screws.

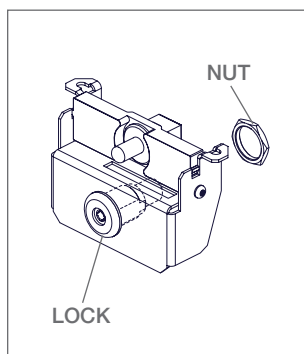


Remove switch.

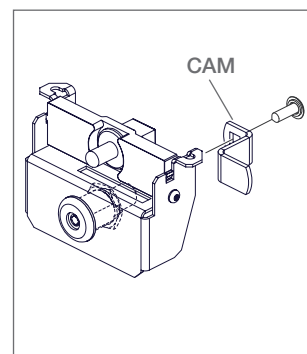


Install switch.

- 5 Insert the lock into the switch bracket then secure with the nut provided. Refer to the illustration below.
- 6 Attach the offset cam to the lock using the screw provided.

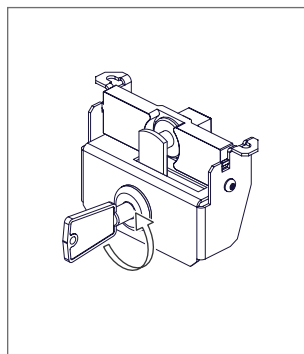


Install lock.

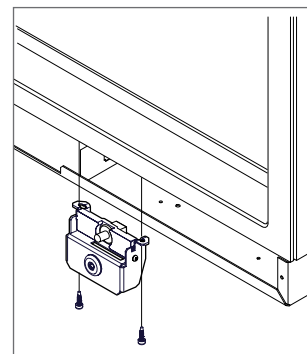


Install offset cam.

- 7 Verify the offset aligns with the slot in switch bracket then reattach the wire connectors to the switch.
- 8 Reinstall the switch bracket using the existing screws then install the switch depressor using the tamper proof screws provided.
- 9 Install the kickplate. Use the black screws provided with the unit to install a black toekick or the silver screws provided with this kit to install a silver toekick.



Test lock.



Reinstall switch bracket.

