

INSTALLATION GUIDE

Built-In Panel Mounting Kit



Contents

Built-In Panel Mounting Kit	3
Mounting Instructions	4
Model BI-36R / BI-36F	5
Model BI-30U	6
Model BI-36U	7
Model BI-36UFD	8
Model BI-42UFD	9
Model BI-36S	10
Model BI-42S / BI-42SID / BI-42SD	11
Model BI-48S / BI-48SID / BI-48SD	12
Model BI-36R / BI-36F—Dual Installation	13
Model BI-30U—Dual Installation	15
Model BI-36U—Dual Installation	17

Features and specifications are subject to change at any time without notice. Visit subzero.com/specs for the most up-to-date information.

IMPORTANT NOTE: Throughout this guide, dimensions in parentheses are millimeters unless otherwise specified.



Built-In Panel Mounting Kit

OVERLAY AND FLUSH INSET PANELS

The panel mounting kit consists of stock lengths of PVC cleats, self-drilling mounting screws and offset gages for correctly locating the mounting cleats on the back of decorative panels (overlay and flush inset). Each Sub-Zero built-in model has a page in this guide which provides the cut length of each cleat and offset required for mounting. This kit works for all built-in models except glass door models (no kit available). Dual installations require two mounting kits for sufficient cleat stock and screws.

Be sure decorative panels have sufficient thickness where screws will be installed. If not, use the alternate hole pattern in the cleat or locate a new pattern. Use the longer $\frac{3}{4}$ " (19) screws wherever possible, especially along the bottom of panels and next to a custom handle, where most of the load will be.

When panel construction permits, use the existing hole pattern closest to the outer edge of the cleat. Screws can be driven through the cleat where there are no clearance holes. This is recommended near the door handle and on the bottom cleat of decorative panels greater than $\frac{3}{4}$ " (19) thick, to support the extra weight.

PANEL MOUNTING KIT CONTENTS:

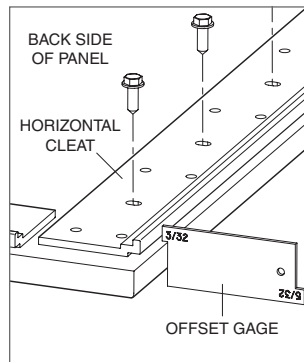
- (8) 65" (1651) lengths of PVC cleat stock.
- (50) #8 x $\frac{5}{8}$ " zip-in screws.
- (50) #8 x $\frac{3}{4}$ " zip-in screws.
- Set of two offset gages (two offsets per gage).
- Installation guide.

Mounting Instructions

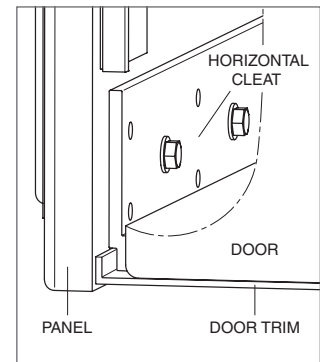
- 1) Determine location and mounting method of custom door handle if one will be used. Decide the best way to modify the cleat for the handle if necessary (cut cleat completely or notch to fit). Also, determine the best sequence for installing handle and cleat. Panel will need to overhang the work surface if handle is installed before cleating.
- 2) Provide surface protection and lay decorative panel on a flat work surface with finished side down.
- 3) Locate the page of these instructions that applies to your specific built-in model and installation (single or dual). Circle the panel illustration for your application (overlay or flush inset) for better reference as you proceed.
- 4) Check dimensions of the decorative panels against the panel illustration to be sure they are exactly the right size.
- 5) Cut mounting cleats to length according to the chart. Measure and cut longest cleats first. Horizontal cleats for panel bottoms should be cut to include as many holes as possible. Use a general purpose blade in any type of carpentry saw.
- 6) Using the offset gages provided, reference the panel illustration to arrange cleats on the panel. Keep in mind that you are working on the back side of the panel. Horizontal cleats should extend to the outside of vertical cleats for maximum screw count.
- 7) Double check cleat offset locations. Attach cleats initially with screws in the slotted holes of the cleats. Using quick clamps helps with accurate cleat placement while driving screws. Start on one end of the cleat and work along the length as you install screws. This makes it easier to maintain the proper offset if there is any bow in the cleat.

▲ CAUTION
Make sure the built-in unit is secured in place with anti-tip brackets to prevent tipover when panel weight is added to open doors.

- 8) Install panel assemblies on door(s) and grille of the built-in unit. Refer to the built-in refrigeration installation guide for this procedure. Note any fine adjustments needed. Remove panel assemblies from the unit and adjust cleats as required for proper panel alignment. Attach remainder of screws in round holes. Add extra screws in the bottom cleat if panel is thicker than 3/4" (19).
- 9) If there is flex in the center of the panel, install short pieces of leftover cleat stock to the back of the panel to maintain spacing from the unit door.
- 10) Reinstall panel assemblies and replace door trim.



Offset gage.



Panel mounting.

Model BI-36R / BI-36F

SINGLE INSTALLATION

Mounting kit is not intended for use with glass door model. The illustrations below provide panel dimensions and mounting cleat offsets for overlay and flush inset panels. Check dimensions of actual panels against the illustration for your panel application.

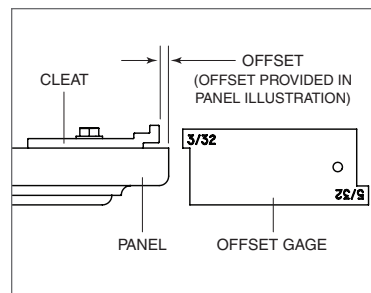
IMPORTANT NOTE: Panels are viewed from the front to show finished elevation. Cleats will be attached to the back of the panels.

Grille panel dimensions shown are for standard 84" (2134) nominal finished height of unit. Grille panel will be 1" (25) shorter for 83" (2108) finished height and 4" (102) taller for 88" (2235) finished height.

Cut mounting cleats to length according to the chart. Cut lengths will be the same for overlay and flush inset panels. Horizontal cleats for panel bottoms should be cut to include as many holes as possible. Refer to page 4 for mounting instructions.

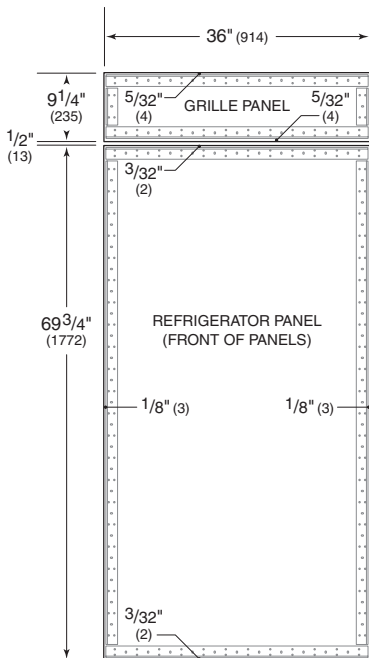
Cleat Cut Length		
PANEL	HORIZONTAL	VERTICAL
Grille (83" or 84" finished height)	35" (889)	None
Grille (88" finished height)	35" (889)	8" (203)
Door	35" (889)	65" (1651)*

*No cut required.



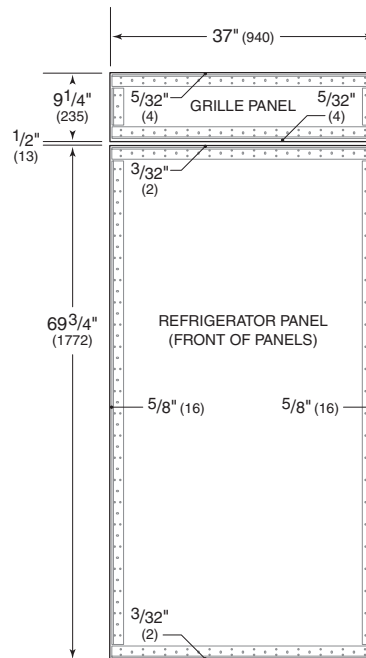
Mounting cleat offset detail.

OVERLAY PANELS



Overlay panel dimensions and mounting cleat offsets.

FLUSH INSET PANELS



Flush inset panel dimensions and mounting cleat offsets.

Model BI-30U

SINGLE INSTALLATION

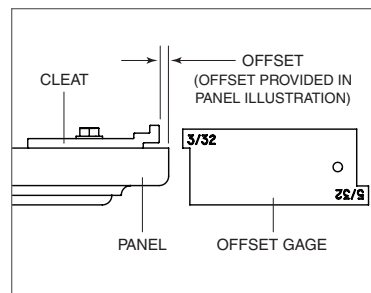
Mounting kit is not intended for use with glass door model. The illustrations below provide panel dimensions and mounting cleat offsets for overlay and flush inset panels. Check dimensions of actual panels against the illustration for your panel application.

IMPORTANT NOTE: Panels are viewed from the front to show finished elevation. Cleats will be attached to the back of the panels.

Grille panel dimensions shown are for standard 84" (2134) nominal finished height of unit. Grille panel will be 1" (25) shorter for 83" (2108) finished height and 4" (102) taller for 88" (2235) finished height.

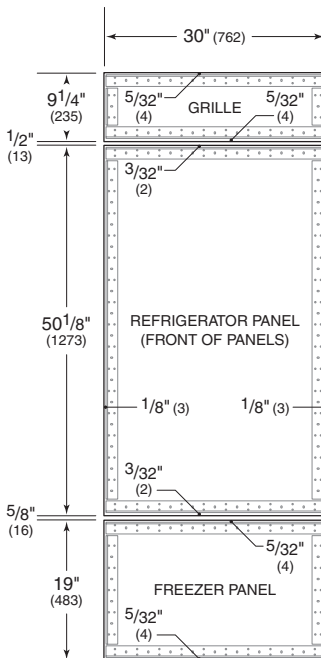
Cut mounting cleats to length according to the chart. Cut lengths will be the same for overlay and flush inset panels. Horizontal cleats for panel bottoms should be cut to include as many holes as possible. Refer to page 4 for mounting instructions.

Cleat Cut Length		
PANEL	HORIZONTAL	VERTICAL
Grille (83" or 84" finished height)	29" (737)	None
Grille (88" finished height)	29" (737)	8" (203)
Refrigerator	29" (737)	45 1/2" (1156)
Freezer	29" (737)	14" (356)



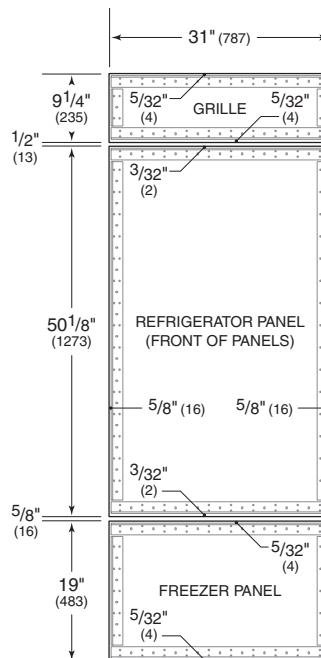
Mounting cleat offset detail.

OVERLAY PANELS



Overlay panel dimensions and mounting cleat offsets.

FLUSH INSET PANELS



Flush inset panel dimensions and mounting cleat offsets.

Model BI-36U

SINGLE INSTALLATION

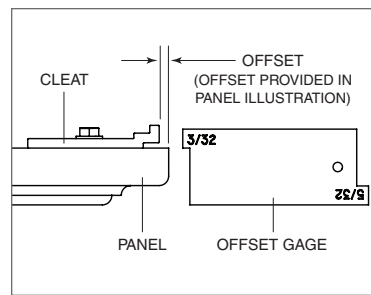
Mounting kit is not intended for use with glass door model. The illustrations below provide panel dimensions and mounting cleat offsets for overlay and flush inset panels. Check dimensions of actual panels against the illustration for your panel application.

IMPORTANT NOTE: Panels are viewed from the front to show finished elevation. Cleats will be attached to the back of the panels.

Grille panel dimensions shown are for standard 84" (2134) nominal finished height of unit. Grille panel will be 1" (25) shorter for 83" (2108) finished height and 4" (102) taller for 88" (2235) finished height.

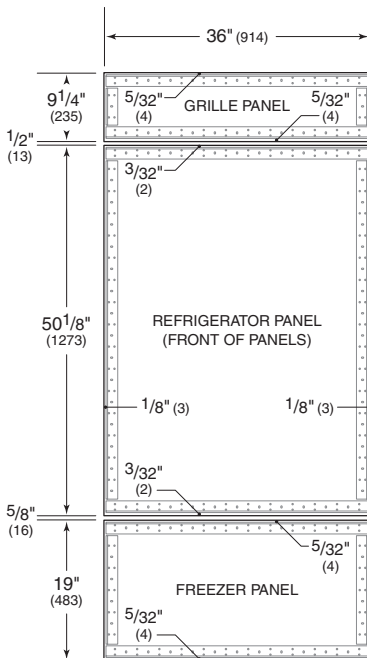
Cut mounting cleats to length according to the chart. Cut lengths will be the same for overlay and flush inset panels. Horizontal cleats for panel bottoms should be cut to include as many holes as possible. Refer to page 4 for mounting instructions.

Cleat Cut Length		
PANEL	HORIZONTAL	VERTICAL
Grille (83" or 84" finished height)	35" (889)	None
Grille (88" finished height)	35" (889)	8" (203)
Refrigerator	35" (889)	45 1/2" (1156)
Freezer	35" (889)	14" (356)



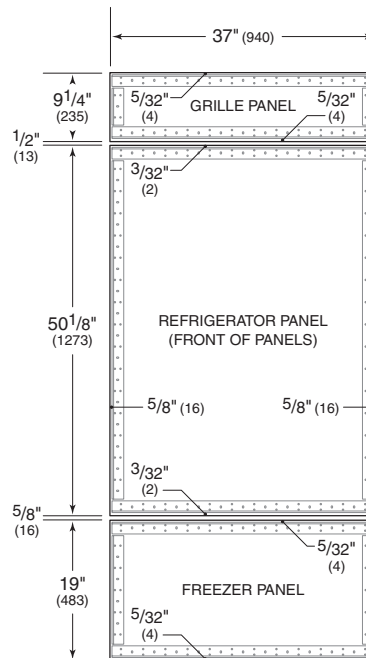
Mounting cleat offset detail.

OVERLAY PANELS



Overlay panel dimensions and mounting cleat offsets.

FLUSH INSET PANELS



Flush inset panel dimensions and mounting cleat offsets.

Model BI-36UFD

SINGLE INSTALLATION

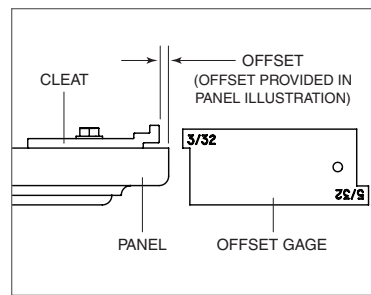
The illustrations below provide panel dimensions and mounting cleat offsets for overlay and flush inset panels. Check dimensions of actual panels against the illustration for your panel application.

IMPORTANT NOTE: Panels are viewed from the front to show finished elevation. Cleats will be attached to the back of the panels.

Grille panel dimensions shown are for standard 84" (2134) nominal finished height of unit. Grille panel will be 1" (25) shorter for 83" (2108) finished height and 4" (102) taller for 88" (2235) finished height.

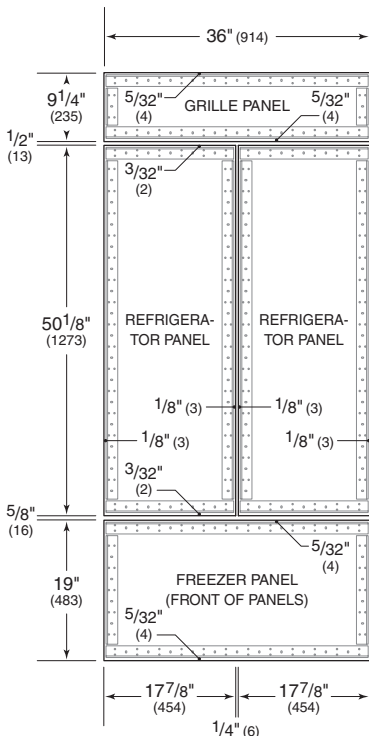
Cut mounting cleats to length according to the chart. Cut lengths will be the same for overlay and flush inset panels. Horizontal cleats for panel bottoms should be cut to include as many holes as possible. Refer to page 4 for mounting instructions.

Cleat Cut Length		
PANEL	HORIZONTAL	VERTICAL
Grille (83" or 84" finished height)	35" (889)	None
Grille (88" finished height)	35" (889)	8" (203)
Refrigerator (2 panels)	17" (432)	45 1/2" (1156)
Freezer	35" (889)	14" (356)



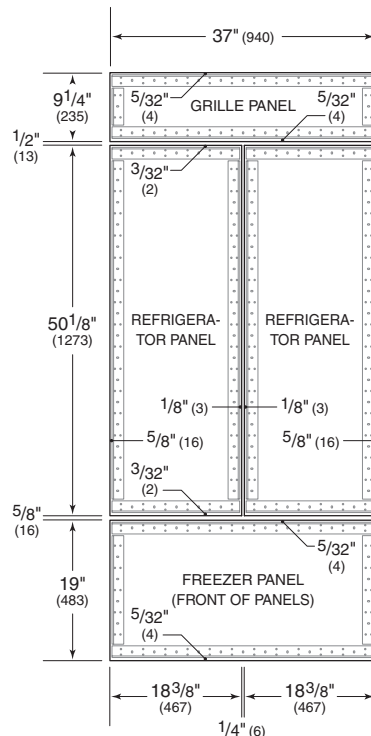
Mounting cleat offset detail.

OVERLAY PANELS



Overlay panel dimensions and mounting cleat offsets.

FLUSH INSET PANELS



Flush inset panel dimensions and mounting cleat offsets.

Model BI-42UFD

SINGLE INSTALLATION

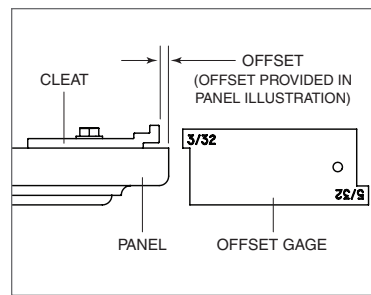
The illustrations below provide panel dimensions and mounting cleat offsets for overlay and flush inset panels. Check dimensions of actual panels against the illustration for your panel application.

IMPORTANT NOTE: Panels are viewed from the front to show finished elevation. Cleats will be attached to the back of the panels.

Grille panel dimensions shown are for standard 84" (2134) nominal finished height of unit. Grille panel will be 1" (25) shorter for 83" (2108) finished height and 4" (102) taller for 88" (2235) finished height.

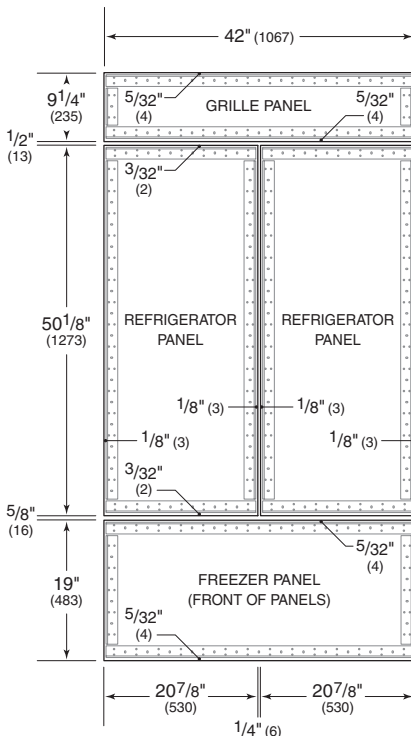
Cut mounting cleats to length according to the chart. Cut lengths will be the same for overlay and flush inset panels. Horizontal cleats for panel bottoms should be cut to include as many holes as possible. Refer to page 4 for mounting instructions.

Cleat Cut Length		
PANEL	HORIZONTAL	VERTICAL
Grille (83" or 84" finished height)	41" (1041)	None
Grille (88" finished height)	41" (1041)	8" (203)
Refrigerator (2 panels)	20" (508)	45 1/2" (1156)
Freezer	41" (1041)	14" (356)



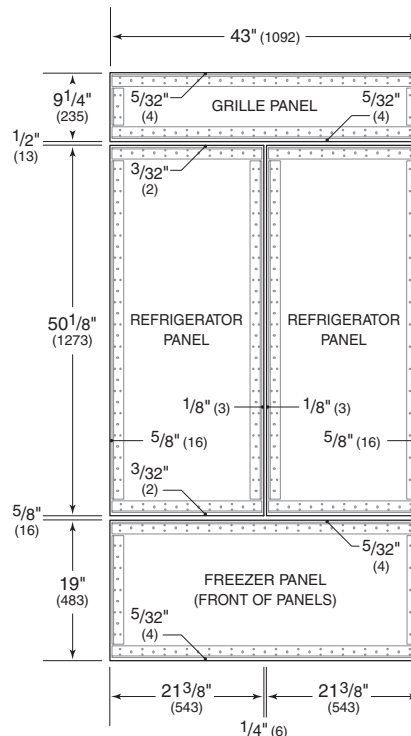
Mounting cleat offset detail.

OVERLAY PANELS



Overlay panel dimensions and mounting cleat offsets.

FLUSH INSET PANELS



Flush inset panel dimensions and mounting cleat offsets.

Model BI-36S

SINGLE INSTALLATION

The illustrations below provide panel dimensions and mounting cleat offsets for overlay and flush inset panels. Check dimensions of actual panels against the illustration for your panel application.

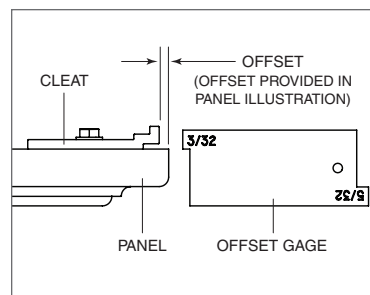
IMPORTANT NOTE: Panels are viewed from the front to show finished elevation. Cleats will be attached to the back of the panels.

Grille panel dimensions shown are for standard 84" (2134) nominal finished height of unit. Grille panel will be 1" (25) shorter for 83" (2108) finished height and 4" (102) taller for 88" (2235) finished height.

Cut mounting cleats to length according to the chart. Cut lengths will be the same for overlay and flush inset panels. Horizontal cleats for panel bottoms should be cut to include as many holes as possible. Refer to page 4 for mounting instructions.

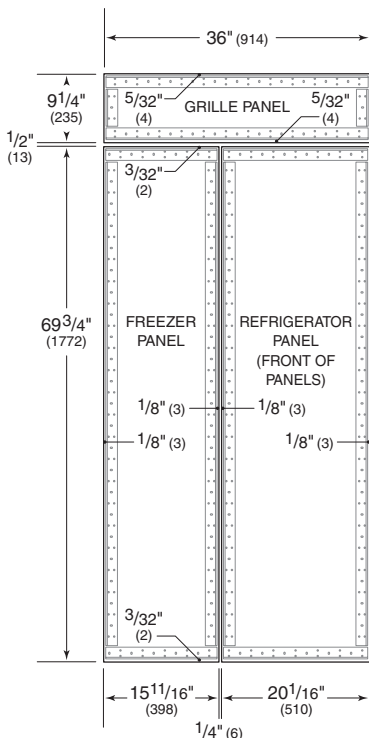
Cleat Cut Length		
PANEL	HORIZONTAL	VERTICAL
Grille (83" or 84" finished height)	35" (889)	None
Grille (88" finished height)	35" (889)	8" (203)
Refrigerator	19" (483)	65" (1651)*
Freezer	15" (381)	65" (1651)*

*No cut required.



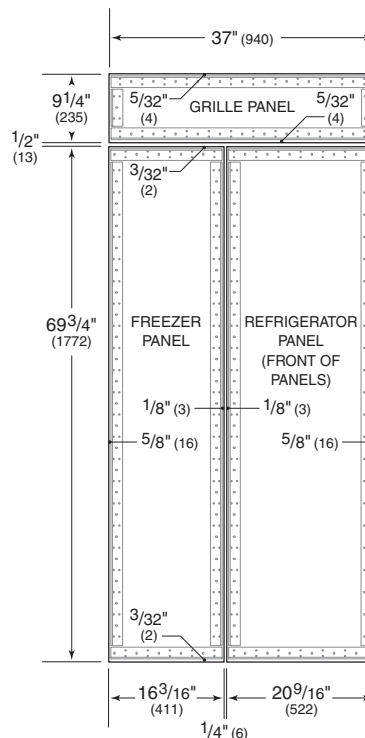
Mounting cleat offset detail.

OVERLAY PANELS



Overlay panel dimensions and mounting cleat offsets.

FLUSH INSET PANELS



Flush inset panel dimensions and mounting cleat offsets.

Model BI-42S / BI-42SID / BI-42SD

SINGLE INSTALLATION

The illustrations below provide panel dimensions and mounting cleat offsets for overlay and flush inset panels. Check dimensions of actual panels against the illustration for your panel application.

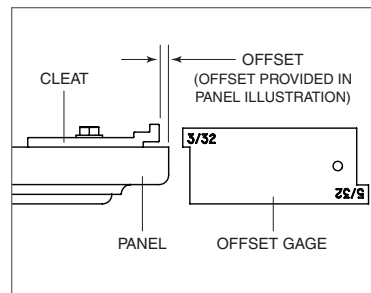
IMPORTANT NOTE: Panels are viewed from the front to show finished elevation. Cleats will be attached to the back of the panels.

Grille panel dimensions shown are for standard 84" (2134) nominal finished height of unit. Grille panel will be 1" (25) shorter for 83" (2108) finished height and 4" (102) taller for 88" (2235) finished height.

Cut mounting cleats to length according to the chart. Cut lengths will be the same for overlay and flush inset panels. Horizontal cleats for panel bottoms should be cut to include as many holes as possible. Refer to page 4 for mounting instructions.

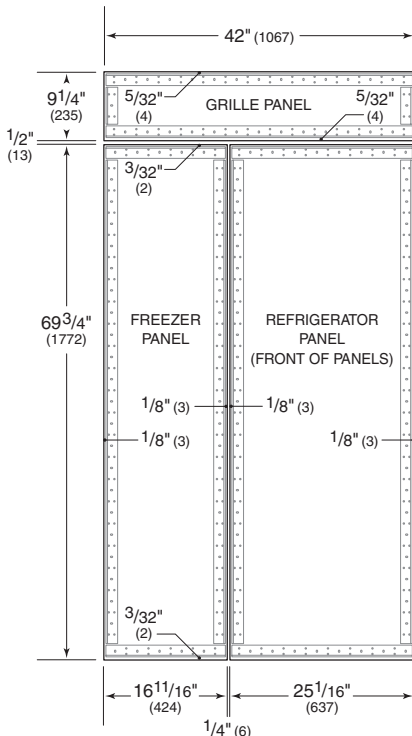
Cleat Cut Length		
PANEL	HORIZONTAL	VERTICAL
Grille (83" or 84" finished height)	41" (1041)	None
Grille (88" finished height)	41" (1041)	8" (203)
Refrigerator	24" (610)	65" (1651)*
Freezer	16" (406)	65" (1651)*

*No cut required.



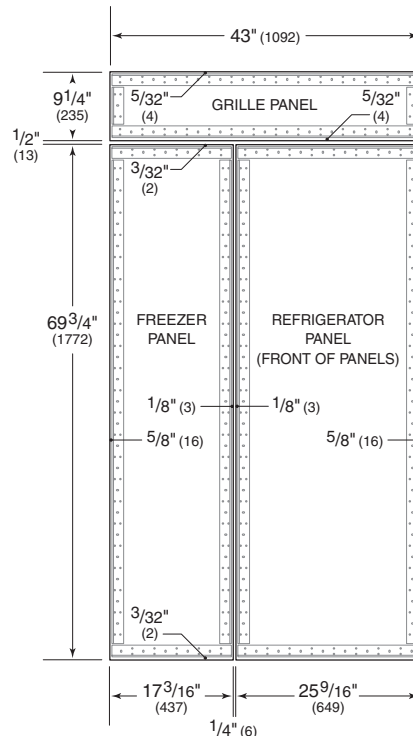
Mounting cleat offset detail.

OVERLAY PANELS



Overlay panel dimensions and mounting cleat offsets.

FLUSH INSET PANELS



Flush inset panel dimensions and mounting cleat offsets.

Model BI-48S / BI-48SID / BI-48SD

SINGLE INSTALLATION

The illustrations below provide panel dimensions and mounting cleat offsets for overlay and flush inset panels. Check dimensions of actual panels against the illustration for your panel application.

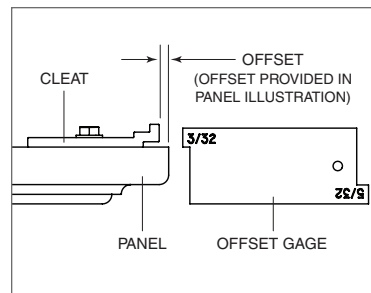
IMPORTANT NOTE: Panels are viewed from the front to show finished elevation. Cleats will be attached to the back of the panels.

Grille panel dimensions shown are for standard 84" (2134) nominal finished height of unit. Grille panel will be 1" (25) shorter for 83" (2108) finished height and 4" (102) taller for 88" (2235) finished height.

Cut mounting cleats to length according to the chart. Cut lengths will be the same for overlay and flush inset panels. Horizontal cleats for panel bottoms should be cut to include as many holes as possible. Refer to page 4 for mounting instructions.

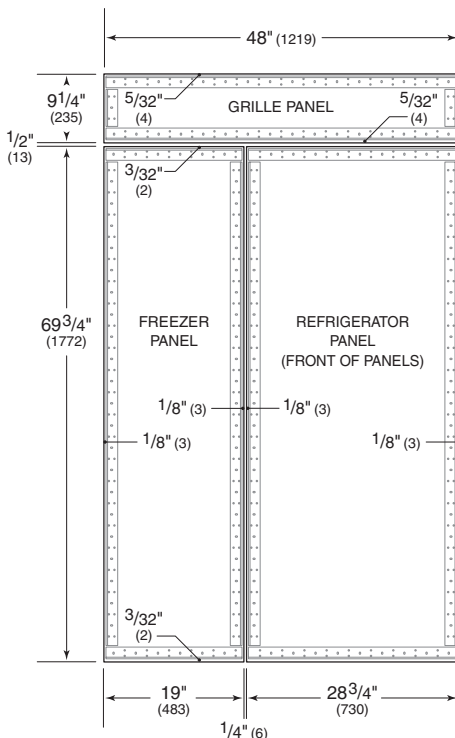
Cleat Cut Length		
PANEL	HORIZONTAL	VERTICAL
Grille (83" or 84" finished height)	47" (1194)	None
Grille (88" finished height)	47" (1194)	8" (203)
Refrigerator	28" (711)	65" (1651)*
Freezer	18" (457)	65" (1651)*

*No cut required.



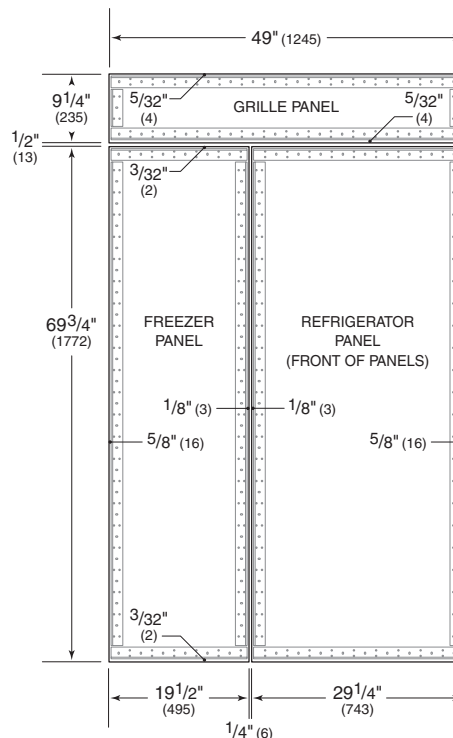
Mounting cleat offset detail.

OVERLAY PANELS



Overlay panel dimensions and mounting cleat offsets.

FLUSH INSET PANELS



Flush inset panel dimensions and mounting cleat offsets.

Model BI-36R / BI-36F—Dual Installation

SEPARATE GRILLES

The illustrations below provide panel dimensions and mounting cleat offsets for overlay and flush inset panels. Check dimensions of actual panels against the illustration for your panel application.

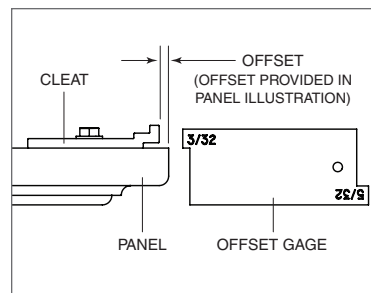
IMPORTANT NOTE: Panels are viewed from the front to show finished elevation. Cleats will be attached to the back of the panels.

Grille panel dimensions shown are for standard 84" (2134) nominal finished height of unit. Grille panel will be 1" (25) shorter for 83" (2108) finished height and 4" (102) taller for 88" (2235) finished height.

Cut mounting cleats to length according to the chart. Cut lengths will be the same for overlay and flush inset panels. Horizontal cleats for panel bottoms should be cut to include as many holes as possible. Refer to page 4 for mounting instructions. Dual installations require two mounting kits.

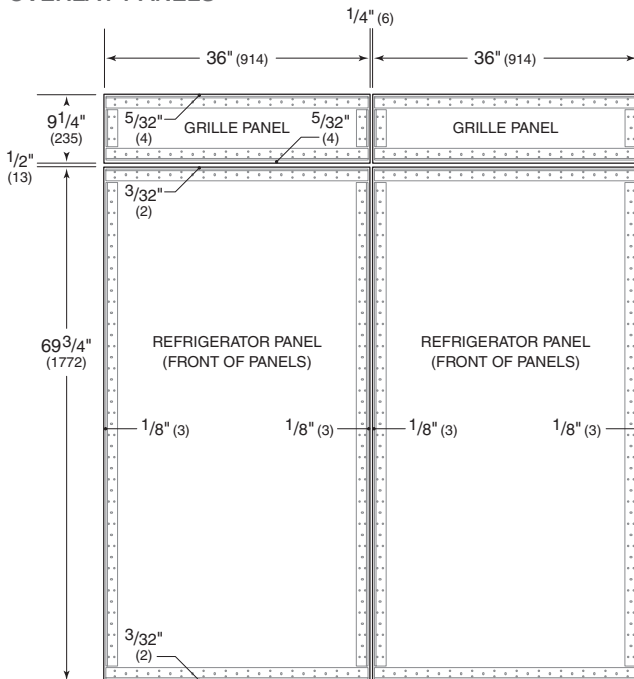
Cleat Cut Length		
PANEL	HORIZONTAL	VERTICAL
Grille (83" or 84" finished height)	35" (889)	None
Grille (88" finished height)	35" (889)	8" (203)
Door	35" (889)	65" (1651)*

*No cut required.



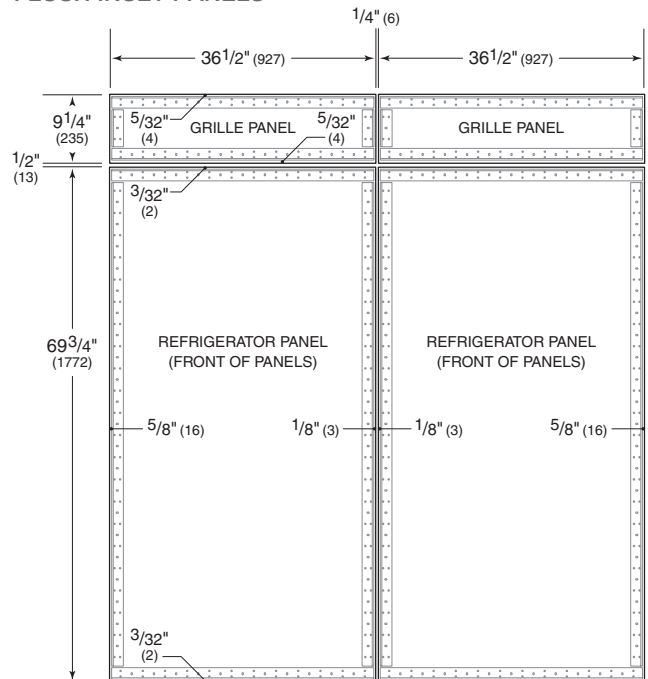
Mounting cleat offset detail.

OVERLAY PANELS



Overlay panel dimensions and mounting cleat offsets.

FLUSH INSET PANELS



Flush inset panel dimensions and mounting cleat offsets.

Model BI-36R / BI-36F—Dual Installation

DUAL WIDE GRILLE

The illustrations below provide panel dimensions and mounting cleat offsets for overlay and flush inset panels. Check dimensions of actual panels against the illustration for your panel application.

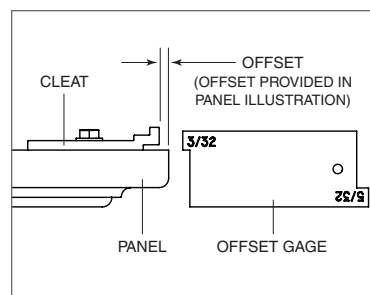
IMPORTANT NOTE: Panels are viewed from the front to show finished elevation. Cleats will be attached to the back of the panels.

Grille panel dimensions shown are for standard 84" (2134) nominal finished height of unit. Grille panel will be 1" (25) shorter for 83" (2108) finished height and 4" (102) taller for 88" (2235) finished height.

Cut mounting cleats to length according to the chart. Cut lengths will be the same for overlay and flush inset panels. Horizontal cleats for panel bottoms should be cut to include as many holes as possible. Refer to page 4 for mounting instructions. Dual installations require two mounting kits.

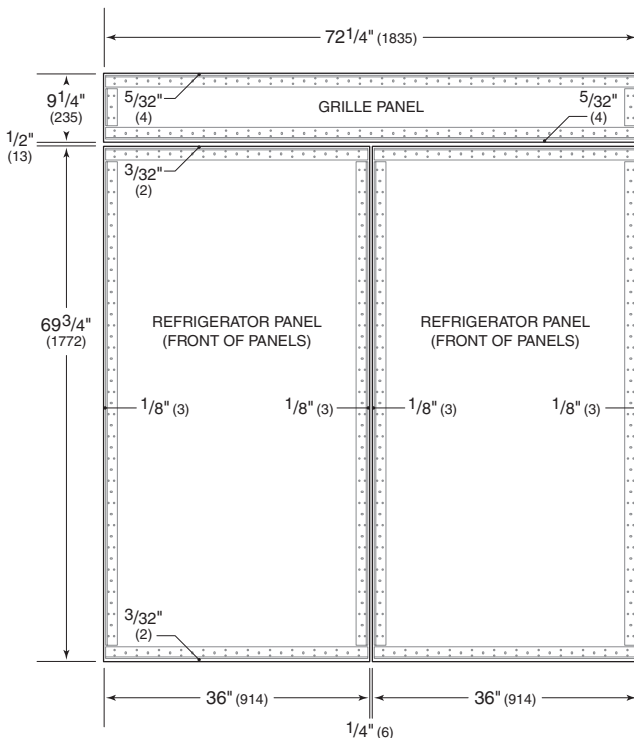
Cleat Cut Length		
PANEL	HORIZONTAL	VERTICAL
Grille (83" or 84" finished height)	71 1/2" (1816)	None
Grille (88" finished height)	71 1/2" (1816)	8" (203)
Door	35" (889)	65" (1651)*

*No cut required.



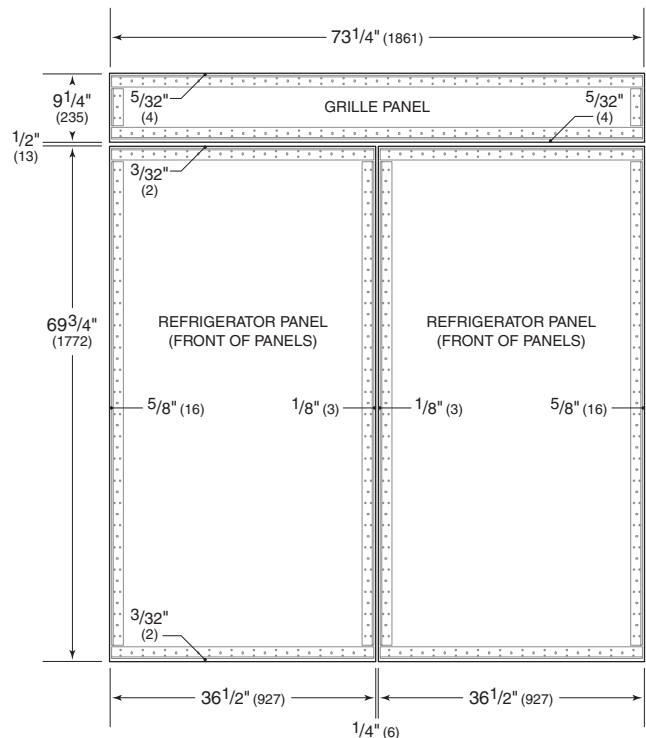
Mounting cleat offset detail.

OVERLAY PANELS



Overlay panel dimensions and mounting cleat offsets.

FLUSH INSET PANELS



Flush inset panel dimensions and mounting cleat offsets.

Model BI-30U—Dual Installation

SEPARATE GRILLES

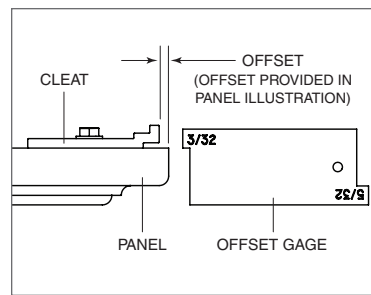
The illustrations below provide panel dimensions and mounting cleat offsets for overlay and flush inset panels. Check dimensions of actual panels against the illustration for your panel application.

IMPORTANT NOTE: Panels are viewed from the front to show finished elevation. Cleats will be attached to the back of the panels.

Grille panel dimensions shown are for standard 84" (2134) nominal finished height of unit. Grille panel will be 1" (25) shorter for 83" (2108) finished height and 4" (102) taller for 88" (2235) finished height.

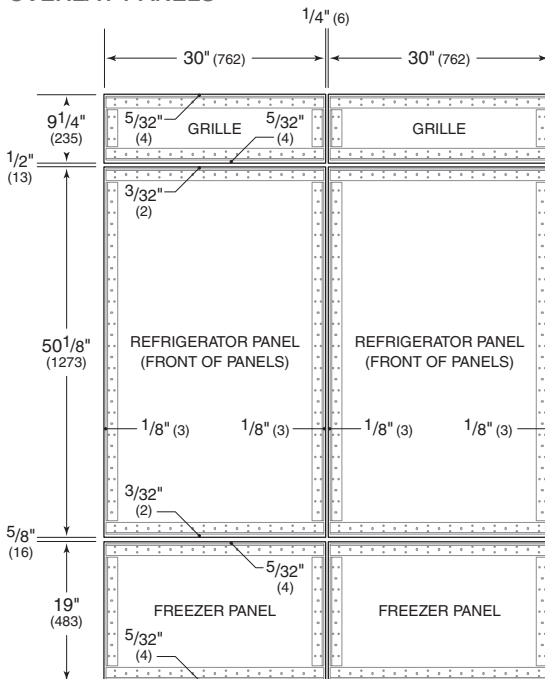
Cut mounting cleats to length according to the chart. Cut lengths will be the same for overlay and flush inset panels. Horizontal cleats for panel bottoms should be cut to include as many holes as possible. Refer to page 4 for mounting instructions. Dual installations require two mounting kits.

Cleat Cut Length		
PANEL	HORIZONTAL	VERTICAL
Grille (83" or 84" finished height)	29" (737)	None
Grille (88" finished height)	29" (737)	8" (203)
Refrigerator	29" (737)	45 1/2" (1156)
Freezer	29" (737)	14" (356)



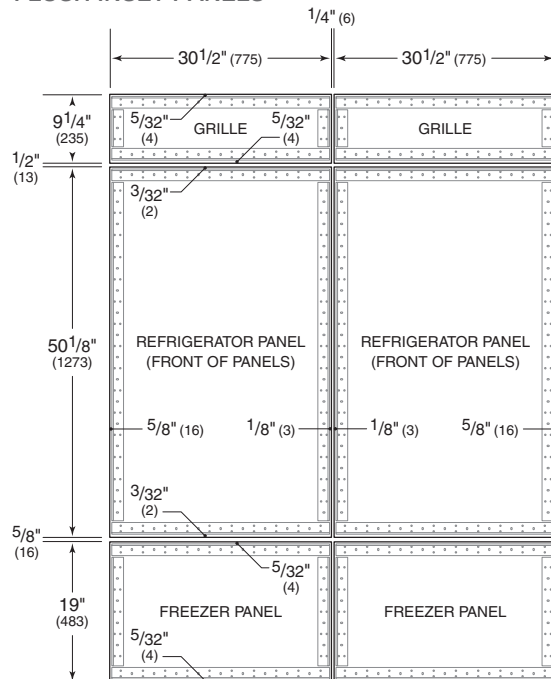
Mounting cleat offset detail.

OVERLAY PANELS



Overlay panel dimensions and mounting cleat offsets.

FLUSH INSET PANELS



Flush inset panel dimensions and mounting cleat offsets.

Model BI-30U—Dual Installation

DUAL WIDE GRILLE

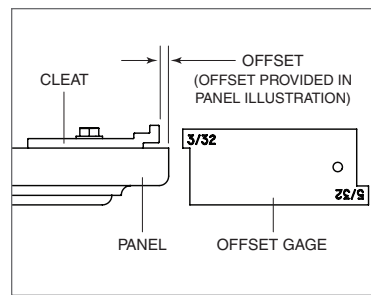
The illustrations below provide panel dimensions and mounting cleat offsets for overlay and flush inset panels. Check dimensions of actual panels against the illustration for your panel application.

IMPORTANT NOTE: Panels are viewed from the front to show finished elevation. Cleats will be attached to the back of the panels.

Grille panel dimensions shown are for standard 84" (2134) nominal finished height of unit. Grille panel will be 1" (25) shorter for 83" (2108) finished height and 4" (102) taller for 88" (2235) finished height.

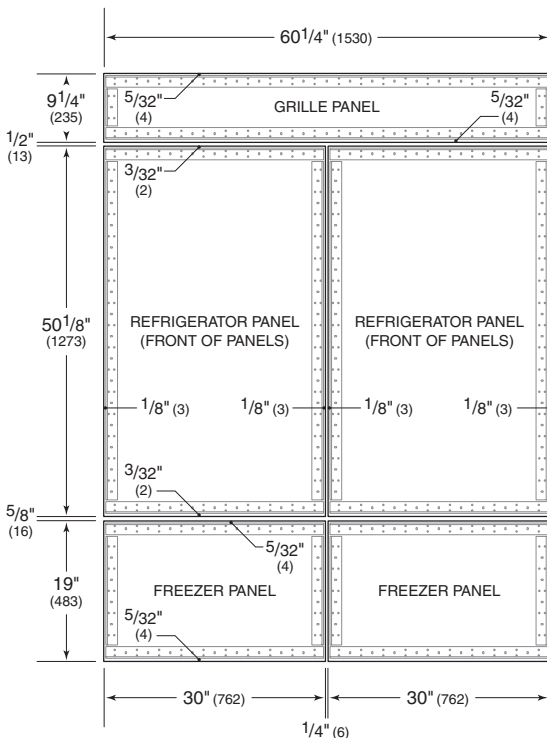
Cut mounting cleats to length according to the chart. Cut lengths will be the same for overlay and flush inset panels. Horizontal cleats for panel bottoms should be cut to include as many holes as possible. Refer to page 4 for mounting instructions. Dual installations require two mounting kits.

Cleat Cut Length		
PANEL	HORIZONTAL	VERTICAL
Grille (83" or 84" finished height)	59 1/2" (1511)	None
Grille (88" finished height)	59 1/2" (1511)	8" (203)
Refrigerator	29" (737)	45 1/2" (1156)
Freezer	29" (737)	14" (356)



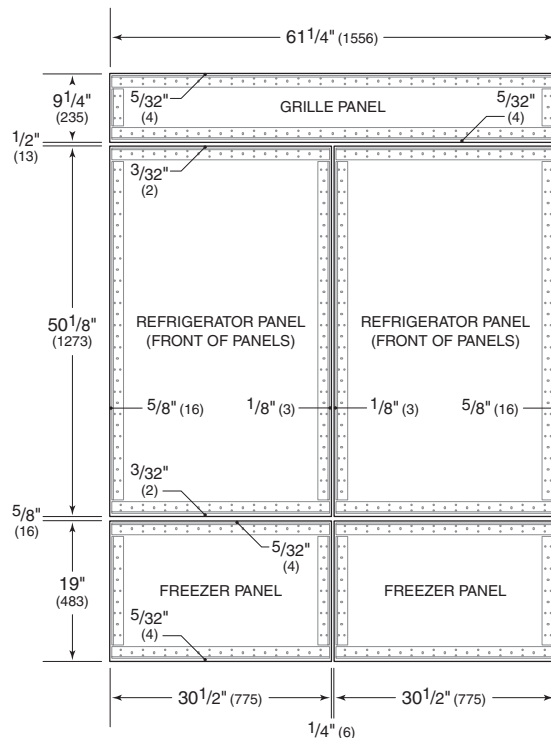
Mounting cleat offset detail.

OVERLAY PANELS



Overlay panel dimensions and mounting cleat offsets.

FLUSH INSET PANELS



Flush inset panel dimensions and mounting cleat offsets.

Model BI-36U—Dual Installation

SEPARATE GRILLES

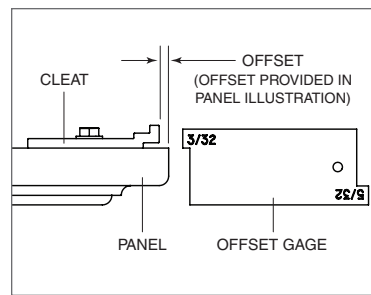
The illustrations below provide panel dimensions and mounting cleat offsets for overlay and flush inset panels. Check dimensions of actual panels against the illustration for your panel application.

IMPORTANT NOTE: Panels are viewed from the front to show finished elevation. Cleats will be attached to the back of the panels.

Grille panel dimensions shown are for standard 84" (2134) nominal finished height of unit. Grille panel will be 1" (25) shorter for 83" (2108) finished height and 4" (102) taller for 88" (2235) finished height.

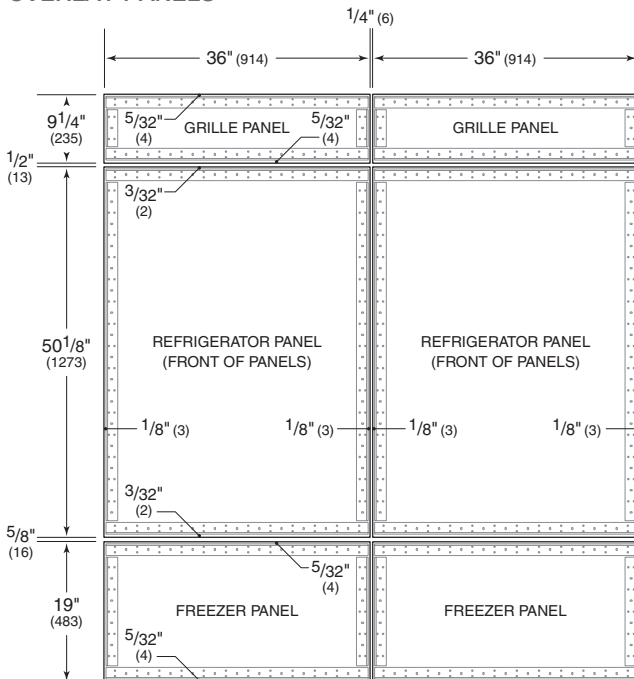
Cut mounting cleats to length according to the chart. Cut lengths will be the same for overlay and flush inset panels. Horizontal cleats for panel bottoms should be cut to include as many holes as possible. Refer to page 4 for mounting instructions. Dual installations require two mounting kits.

Cleat Cut Length		
PANEL	HORIZONTAL	VERTICAL
Grille (83" or 84" finished height)	35" (889)	None
Grille (88" finished height)	35" (889)	8" (203)
Refrigerator	35" (889)	45 1/2" (1156)
Freezer	35" (889)	14" (356)



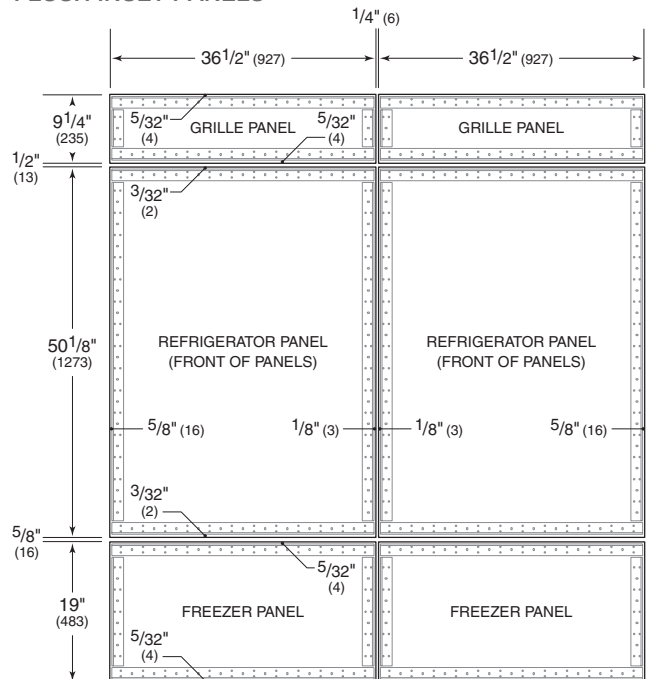
Mounting cleat offset detail.

OVERLAY PANELS



Overlay panel dimensions and mounting cleat offsets.

FLUSH INSET PANELS



Flush inset panel dimensions and mounting cleat offsets.

Model BI-36U—Dual Installation

DUAL WIDE GRILLE

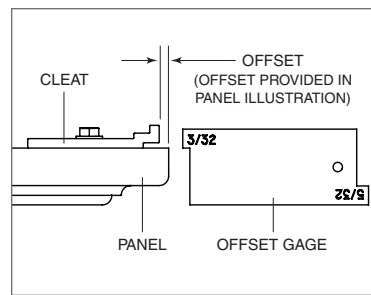
The illustrations below provide panel dimensions and mounting cleat offsets for overlay and flush inset panels. Check dimensions of actual panels against the illustration for your panel application.

IMPORTANT NOTE: Panels are viewed from the front to show finished elevation. Cleats will be attached to the back of the panels.

Grille panel dimensions shown are for standard 84" (2134) nominal finished height of unit. Grille panel will be 1" (25) shorter for 83" (2108) finished height and 4" (102) taller for 88" (2235) finished height.

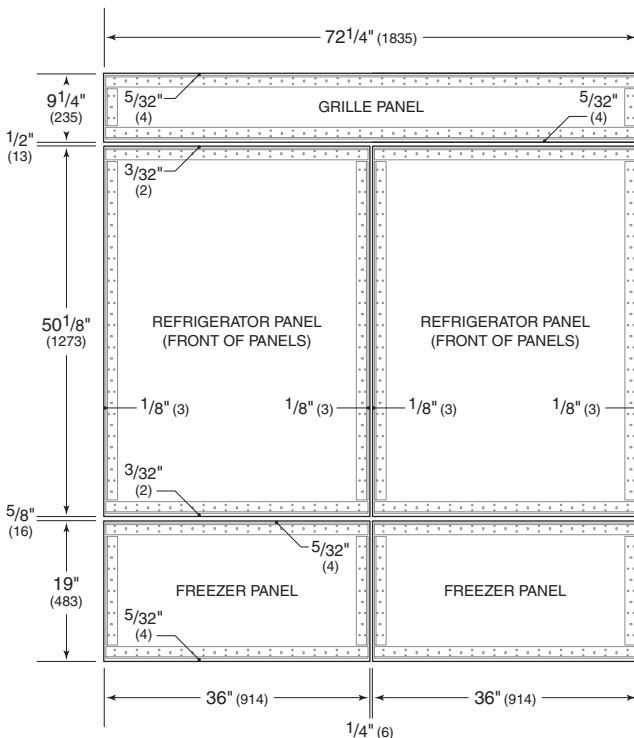
Cut mounting cleats to length according to the chart. Cut lengths will be the same for overlay and flush inset panels. Horizontal cleats for panel bottoms should be cut to include as many holes as possible. Refer to page 4 for mounting instructions. Dual installations require two mounting kits.

Cleat Cut Length		
PANEL	HORIZONTAL	VERTICAL
Grille (83" or 84" finished height)	71 1/2" (1816)	None
Grille (88" finished height)	71 1/2" (1816)	8" (203)
Refrigerator	35" (889)	45 1/2" (1156)
Freezer	35" (889)	14" (356)



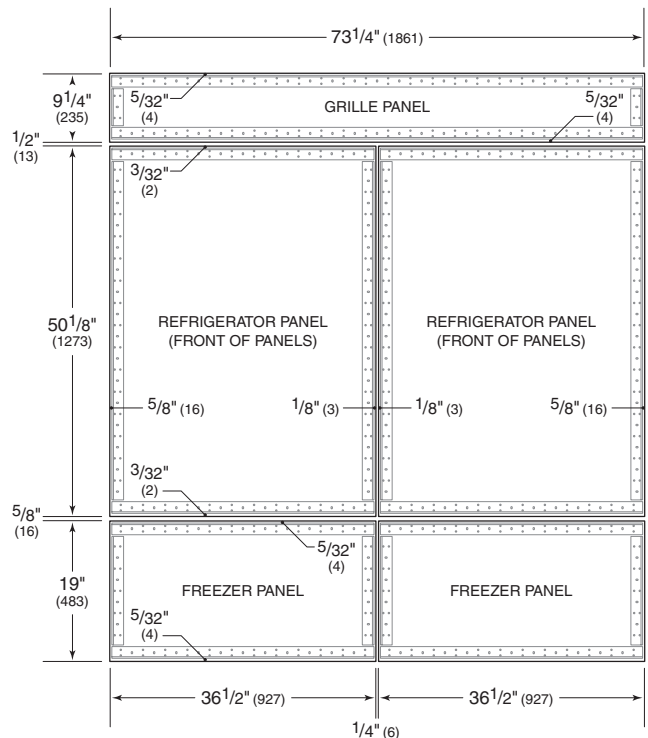
Mounting cleat offset detail.

OVERLAY PANELS



Overlay panel dimensions and mounting cleat offsets.

FLUSH INSET PANELS



Flush inset panel dimensions and mounting cleat offsets.





SUB-ZERO, INC. P. O. BOX 44848 MADISON, WI 53744 SUBZERO.COM 800.222.7820

7028798 REV-A

6/2013

