

# Framed Handle Kit

(7014887, 7014888, 7014889, 7014890)

## CONTAINS:

QTY	DESCRIPTION
1 / 2	Door Handle Assembly (in 7014887, 7014888, 7014889, (2)-7014890)
1	Drawer Handle Assembly (in 7014888, 7014889)
1	Instruction Sheet (in All)

## DOOR HANDLE PROCEDURE:

### 1. Remove the Screw Cover from the Handle

At the top of the door, insert a flat blade screwdriver into channel of the screw cover and push the cover away from the handle-side trim so that it disengages from the trim (See Figure 1).

### 2. Remove the Handle-side Trim from the Door

With a T-20, 6-lobe Torx type bit, extract the mounting screws and pull the trim from the door (See Figure 2).

### 3. Install the Handle on the Door

Place the handle against the side of the door, then use a T-20, 6-lobe Torx type bit to insert the handle mounting screws and secure the handle to the door (See Figure 3).

### 4. Reinstall the Screw Cover

Line up the the screw cover with the handle and push it toward the handle so that it engages the handle clips, working it into position from bottom to top, or top to bottom (See Figure 4).

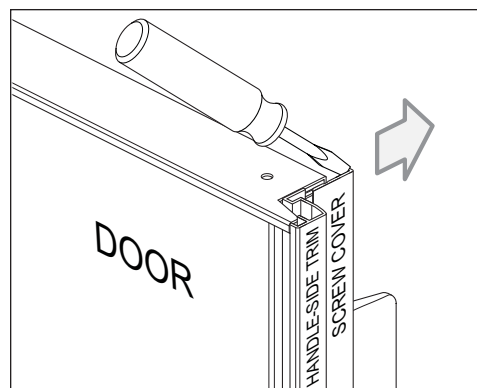


Figure 1. Screw Cover Removal

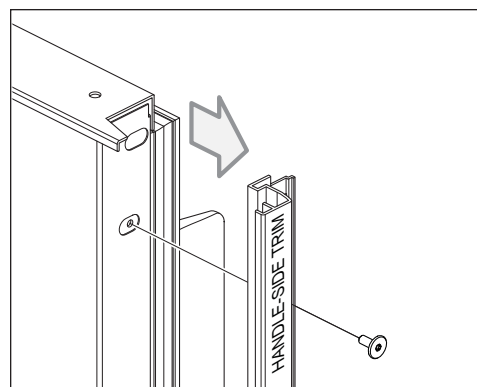


Figure 2. Handle Removal

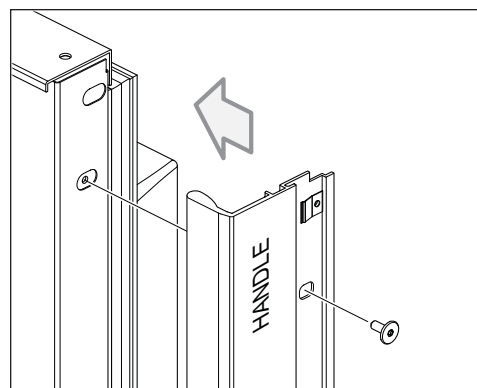


Figure 3. Handle Installation

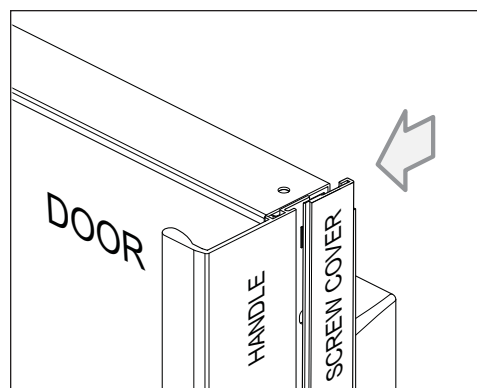


Figure 4. Screw Cover Installation



# Framed Handle Kit

(7014887, 7014888, 7014889, 7014890)

## DRAWER HANDLE PROCEDURE:

### 1. Remove the Screw Cover from the Handle

At the back right-hand side of the drawer handle-side trim, insert a flat blade screwdriver into the notch in the screw cover and pry the cover away from the handle-side trim, disengaging it from the trim (See Figure 5).

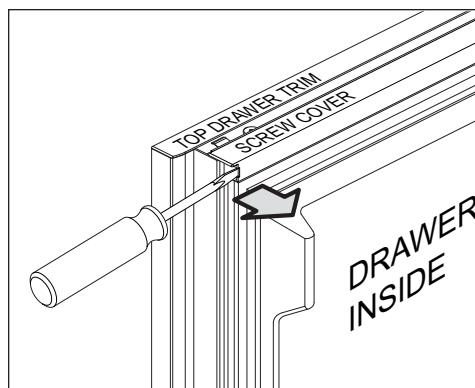


Figure 5. Screw Cover Removal

### 2. Remove the Handle-side Trim from the Drawer

With a T-20, 6-lobe Torx type bit, extract the mounting screws and pull the trim from the drawer (See Figure 6).

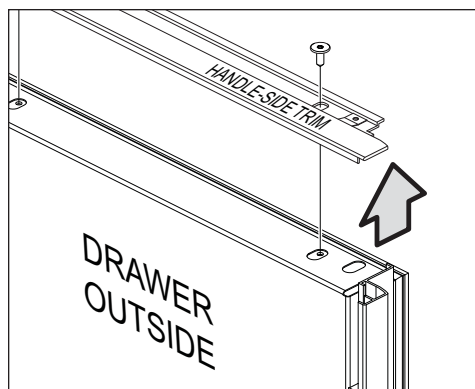


Figure 6. Handle Removal

### 3. Install the Handle on the Drawer

Place the handle against the top of the drawer, then use a T-20, 6-lobe Torx type bit to insert the handle mounting screws and secure the handle to the drawer (See Figure 7).

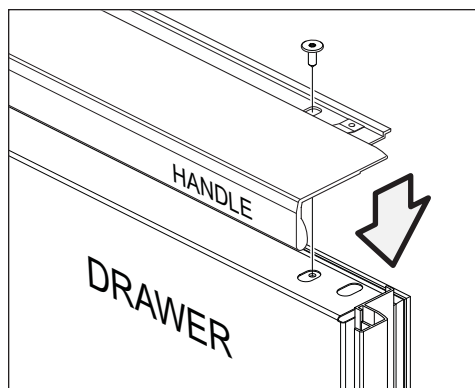


Figure 7. Handle Installation

### 4. Reinstall the Screw Cover

Line up the the screw cover with the handle and push it toward the handle so that it engages the handle clips, working it into position from left to right, or right to left (See Figure 8).

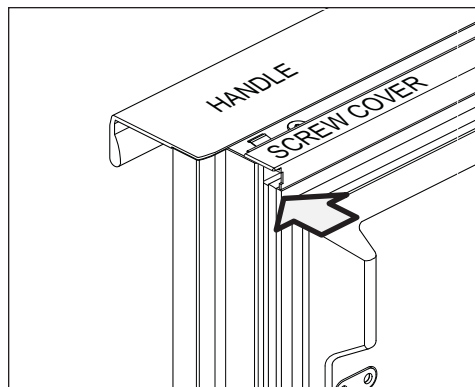


Figure 8. Screw Cover Installation

