

These instructions are for over/under Built-In models:

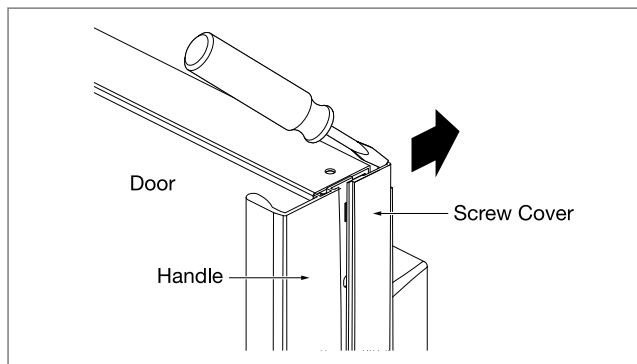
- Kit 7005229 for BI-36U
- Kit 7005230 for BI-30U

## CONTENTS

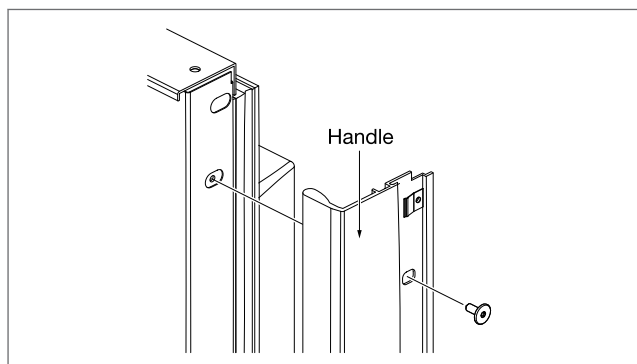
1	Refrigerator door hinge-side trim filler
1	Refrigerator door handle-side trim filler
1	Refrigerator door bottom trim filler
1	Freezer drawer bottom trim
2	Freezer drawer side trim filler
1	Instruction sheet

## REMOVE THE REFRIGERATOR DOOR HANDLE

- 1 Open the door.
- 2 At the top of the door, insert a flat-blade screwdriver into the channel of the screw cover.
- 3 Push the screw cover away from the handle so that it disengages from the handle.

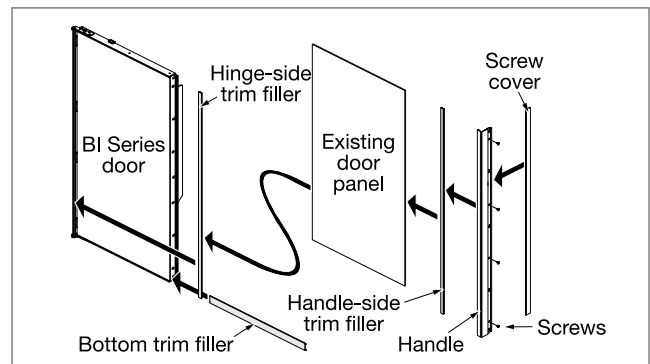


- 4 Use a T-20 Torx bit to remove the handle mounting screws.
- 5 Pull the handle from the door.



## INSTALL THE FRAMED DOOR PANEL RETROFIT

- 1 Install one refrigerator door hinge-side trim filler so that it overlaps the hinge-side door trim.  
**Note:** The hinge-side trim filler is approximately  $\frac{3}{32}$ " wider than the handle-side trim filler. **Be sure to install the wider trim filler onto the hinge side of the door.**
- 2 Install the door bottom trim filler so that it overlaps the bottom door trim and hooks behind the hinge-side trim filler.
- 3 Secure the ends of the door bottom trim filler with masking tape until after the door panel is installed.
- 4 Install the existing 500 or 600 Series door panel.
- 5 Remove the masking tape from the ends of the door bottom trim filler.
- 6 Install the handle-side trim filler over the edge of the door panel on the handle side of the door.
- 7 Reattach the handle-side door trim.
- 8 Reattach the screw cover.

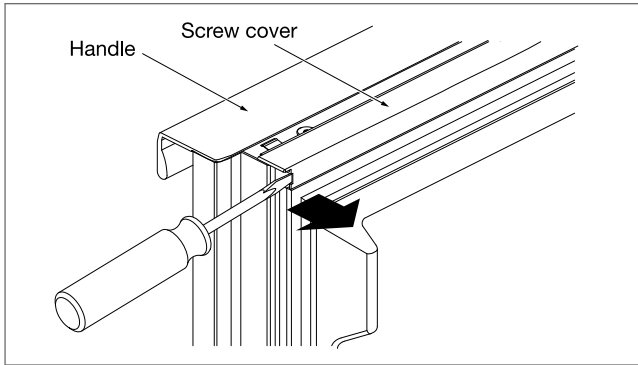


## REMOVE THE FREEZER DRAWER TRIM

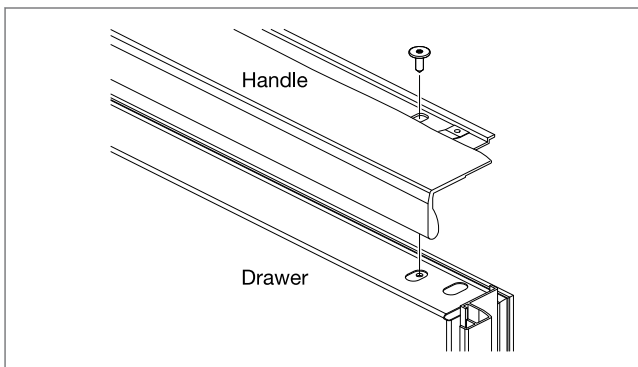
- 1 At the rear right-hand side of the drawer handle, insert a flat-blade screwdriver into the notch in the screw cover.



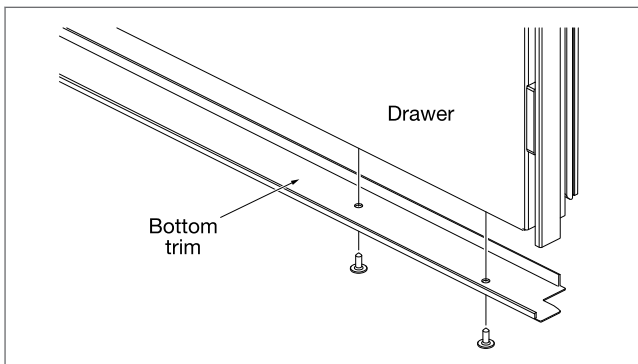
- 2 Pry the cover away from the handle, and disengage it from the handle.



- 3 Use a T-20 Torx bit to remove the handle mounting screws.
- 4 Pull the handle from the drawer.

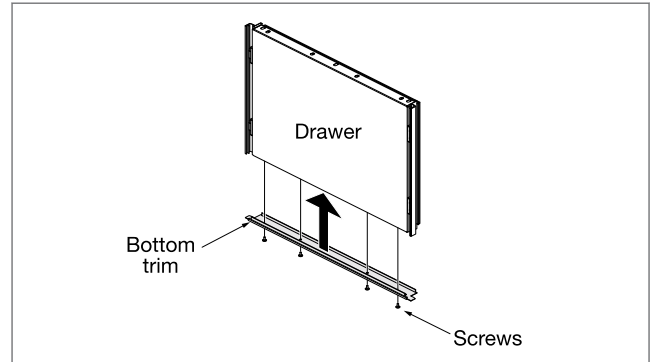


- 5 Use a T-15 Torx bit to remove the bottom trim mounting screws.
- 6 Pull the bottom trim from the drawer.

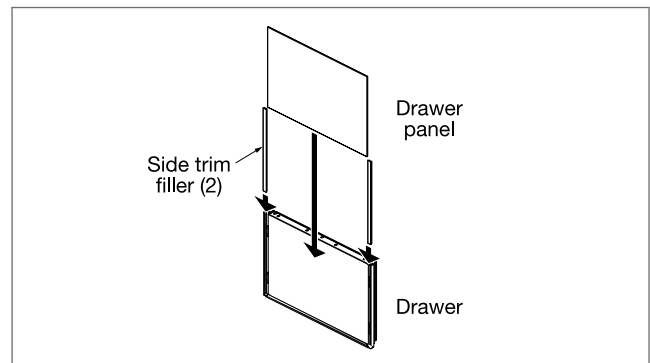


## INSTALL THE DRAWER TRIM

- 1 Install the freezer drawer bottom trim using the screws from the previously removed trim.



- 2 Install both drawer side trim fillers so that they overlap the side trim and hook up with the bottom trim.
- 3 Install the existing 500 or 600 Series drawer panel.



- 4 Install the drawer handle.
- 5 Install the screw cover.

