

These instructions are for side-by-side Built-In models:

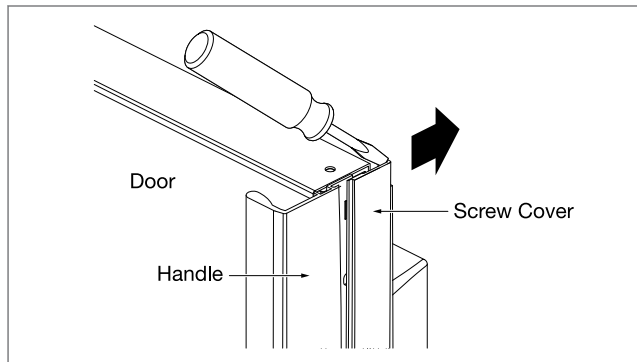
- Kit 7005226 for BI-48S
- Kit 7005227 for BI-42S
- Kit 7005228 for BI-36S

CONTENTS

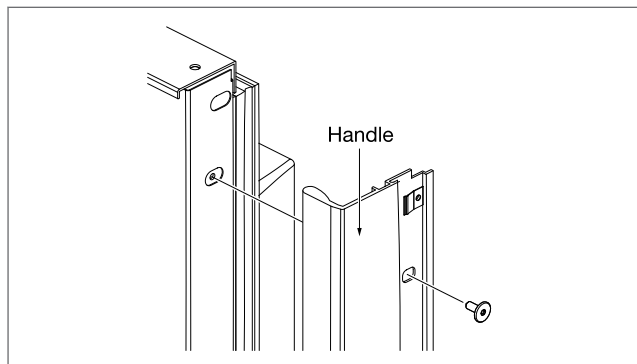
2	Hinge-side trim filler
1	Freezer door bottom trim filler
1	Refrigerator door bottom trim filler
1	Instruction sheet

REMOVE THE REFRIGERATOR DOOR HANDLE

- 1 Open the door.
- 2 At the top of the door, insert a flat-blade screwdriver into the channel of the screw cover.
- 3 Push the screw cover away from the handle so that it disengages from the handle.



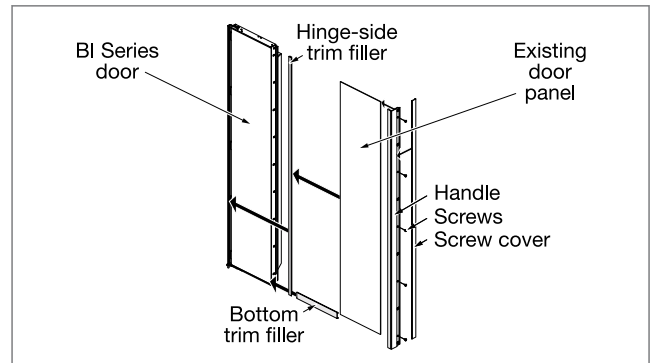
- 4 Use a T-20 Torx bit to remove the handle mounting screws.
- 5 Pull the handle from the door.



INSTALL THE FRAMED DOOR PANEL RETROFIT

- 1 Install the hinge-side trim filler so that it overlaps the hinge-side door trim.

- 2 Install the bottom trim filler so that it overlaps the bottom door trim and hooks behind the hinge-side trim filler.
- 3 Install the existing 500 or 600 Series door panel.
- 4 Reattach the handle.
- 5 Reattach the screw cover.



Note: Though only the freezer door is shown, the procedure for the refrigerator door is the same.

Note: The freezer door hinge-side trim filler in the 7005228 package is $\frac{5}{32}$ " wider than the refrigerator door hinge-side trim filler. **Be sure to install the wider trim filler onto the freezer door.**

