

KPF48UWH New product

Portofino

48" Portofino, Chimney Hood,
White

EAN13: 8017709261740

Control adjustment knobs

3 speeds and additional intensive speed

4 LED lights

Motor power 455W

4 stainless steel grease filters

600 CFM max setting

Electrical Connection

Electrical connection rating: 535 W - 5 Amps

Voltage: 120 V

Frequency (Hz): 60 Hz

Options

- **FLTK-1** - Charcoal filter

Versions

- **KPF48UOG** - Olive green
- **KPF48URD** - Red
- **KPF48UYW** - Yellow
- **KPF48UOR** - Orange
- **KPF48UBL** - Black
- **KPF48UX** - Stainless Steel
- **KPF48UAN** - Matte Black

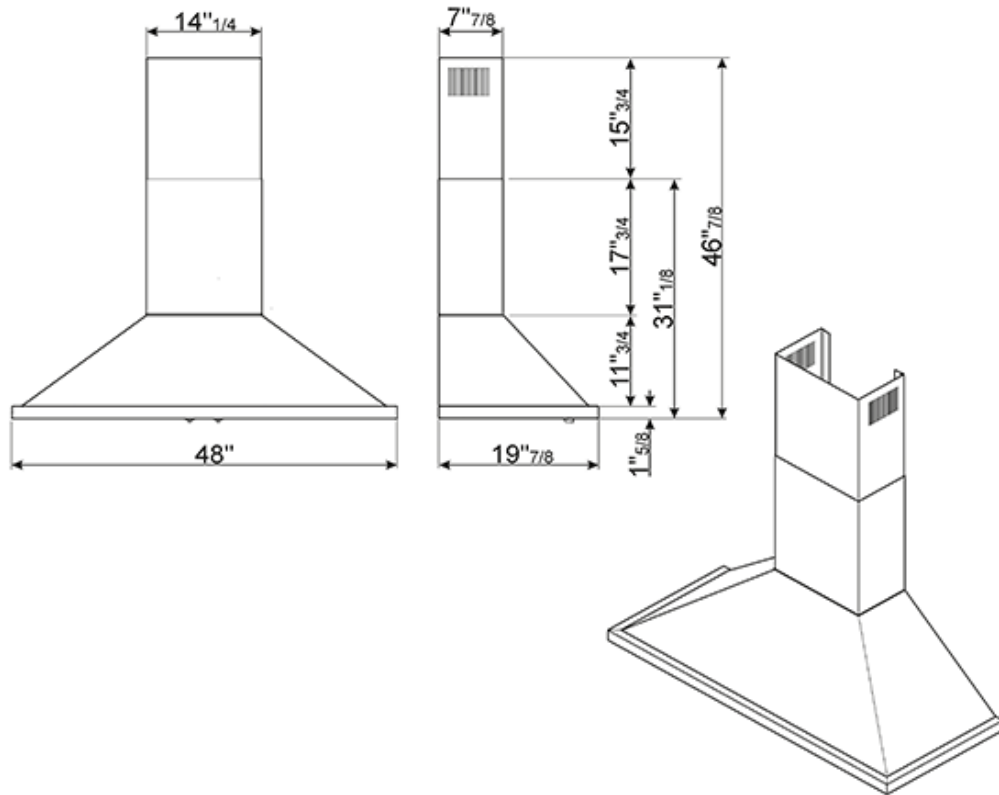




KPF48UWH

Portofino

wall mounted ventilation hood
48"
white



SMEG U.S.A. INC.
A&D BUILDING
150 EAST 58th STREET, 7th FLOOR
NEW YORK, NY, 10155
Tel. +1 212 265 5378
Fax +1 212 265 5945