

## KPF48UBL New product

### Portofino

48" Portofino, Chimney Hood,  
Black

EAN13: 8017709261702

Control adjustment knobs

3 speeds and additional intensive speed

4 LED lights

Motor power 455W

4 stainless steel grease filters

600 CFM max setting

### Electrical Connection

Electrical connection rating: 535 W - 5 Amps

Voltage: 120 V

Frequency (Hz): 60 Hz

### Options

- **FLTK-1** - Charcoal filter

### Versions

- **KPF48UOG** - Olive green
- **KPF48URD** - Red
- **KPF48UYW** - Yellow
- **KPF48UWH** - White
- **KPF48UOR** - Orange
- **KPF48UX** - Stainless Steel
- **KPF48UAN** - Matte Black

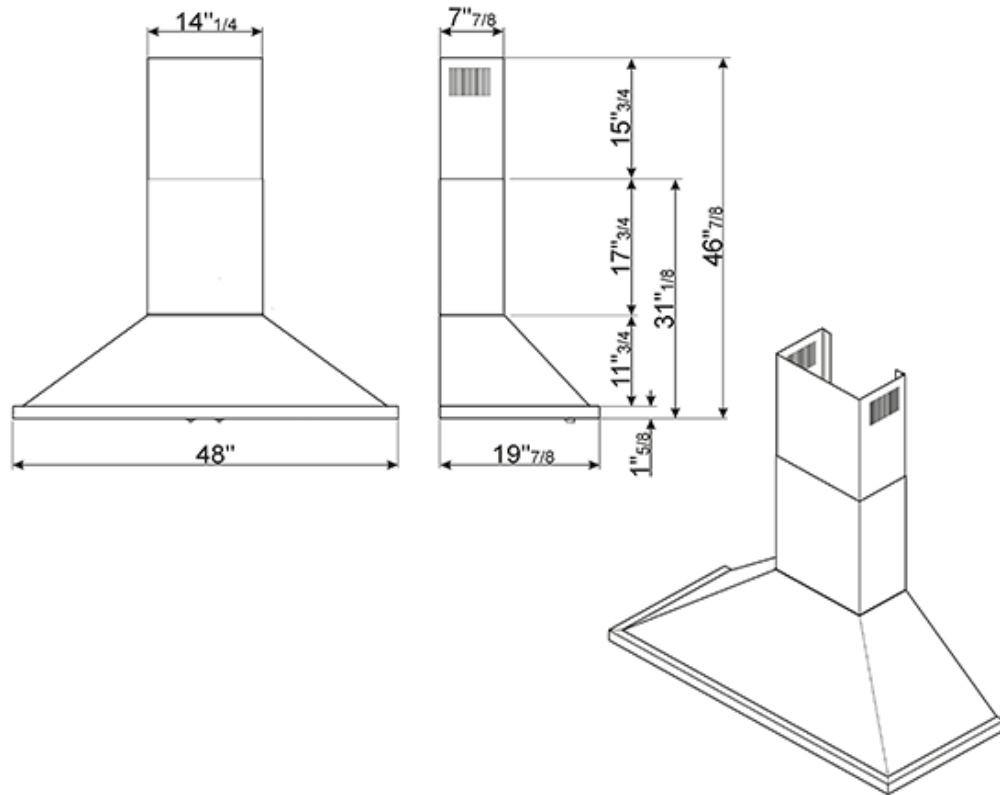




**KPF48UBL**

Portofino

wall mounted ventilation hood  
48"  
black



SMEG U.S.A. INC.  
A&D BUILDING  
150 EAST 58th STREET, 7th FLOOR  
NEW YORK, NY, 10155  
Tel. +1 212 265 5378  
Fax +1 212 265 5945