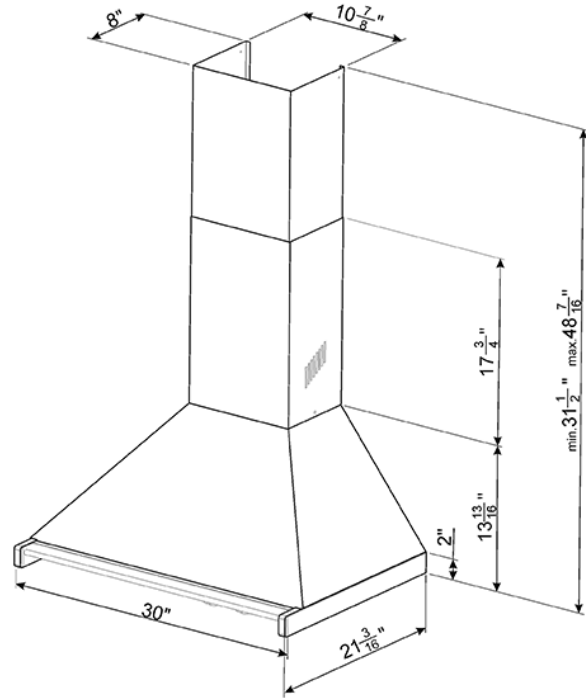


76 CM (approx. 30"), Ventilation Hood,
Stainless Steel
EAN13: 8017709242046



• **Classic Design** • Extraction: Expulsion • **Controls** • Control setting: Control knobs • No. of controls: 2 • Control knobs: Classic
• Controls colour: Steel effect • **Programs / Functions** • No. of speeds: 4 • **Technical Features** • No. of lights: 2 • Light type:
Halogen • Light Power: 20 W • Free outlet maximum capacity: 1150 m³/h • Motor power: 445 W • No. of filters: 3 • Anti-grease
filters: Aluminium • Vent outlet: 150 mm • Non return valve • **Electrical Connection** • Electrical connection rating: 485 W •
Voltage: 120 V • Frequency (Hz): 60 Hz • Power supply cable length: 1000 mm

Options

- FLTK-1 - Charcoal filter