

CMSU6451X

classic

60 Cm (Approx. 24"), Fully-Automatic
Coffee Machine With Milk Frother
Stainless Steel

EAN13: 8017709206284

Classic line

Fingerprint-proof stainless steel

Multilanguage LCD display

Coffee function: regular or double coffee
(1 or 2 cups at the same time)

Automatic cappuccino maker with separate tank for milk

Hot water function for tea or other hot drinks

Rinsing function

Ground coffee option

Coffee intensity adjustable (5 levels):
Extra-light, light, medium, strong, extra-strong

Coffee length adjustable (3 levels):
Espresso (short), espresso, medium, long

Adjustable coffee temperature (3 levels)

Adjustable coffee grinder

Programmable automatic switch-on

Automatic rinsing

Automatic descaling

Automatic energy saving stand-by

Programmable multi-language display

Coffee beans container

Separate container for ground coffee

Removable water tank

Removable container for coffee grounds

Frothing nozzle for cappuccino

Adjustable coffee dispenser (for tall or short cup)

Drip tray

2 lights

Telescopic guides

Capacity of water tank: 1.80lt

Capacity of coffee bean container: 220g

Pump pressure: 15bar

Connected rating (nominal power): 1,350W

Tension/frequency: 120V/60Hz

Pump pressure: tension/frequency: 120V/60Hz



Functions





Coffee beans:

You can use coffee beans in the coffee machine with the possibility to adjust the coarseness of grind.



Automatic switch on:

It is possible to program automatic switch on of the machine to make it ready for use by the required time.



Cappuccino:

An automatic device for making cappuccino that will whisk milk in a delicate foam directly into the cup.



Ground coffee:

You can use ground coffee or coffee beans in the coffee machine with the possibility to adjust the coarseness of grind.



Hot water:

Coffee machine can make hot water for tea or other hot drinks



Steam function:

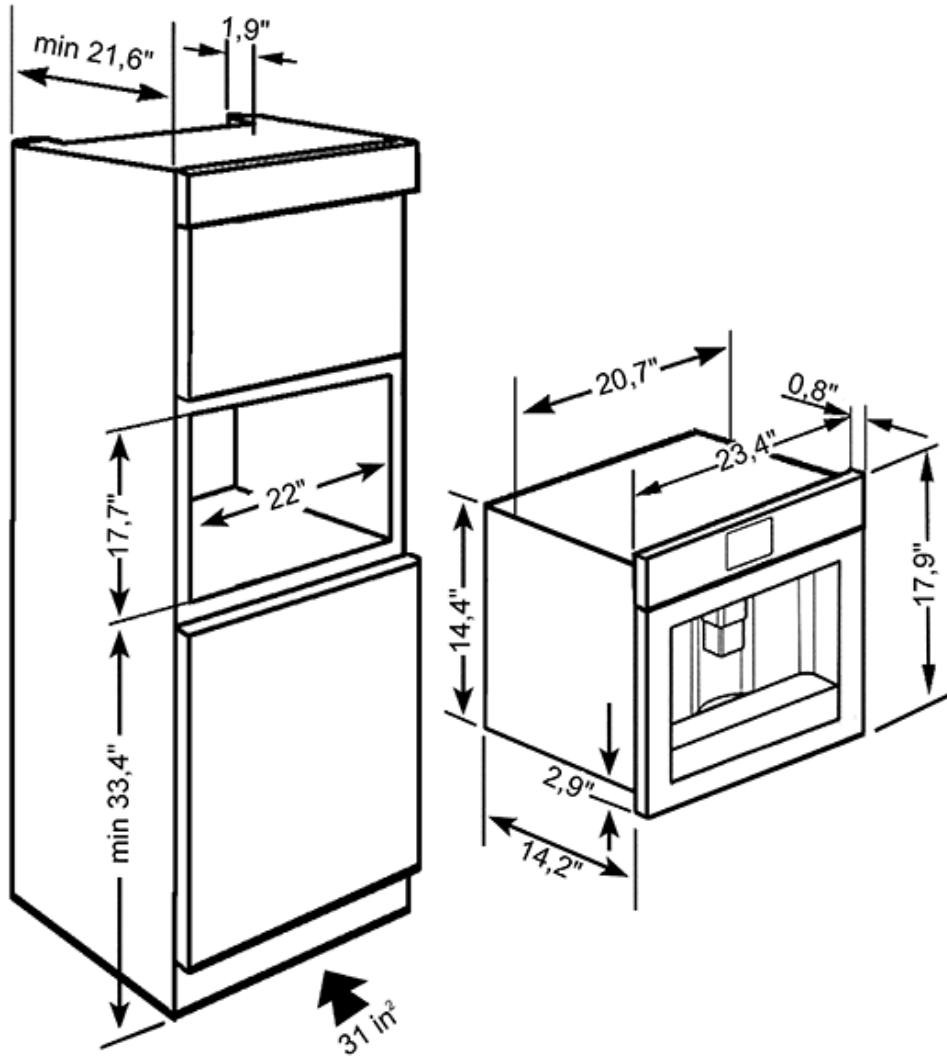
device for milk whisking in a delicate form.



CMSU6451X

classic

24"
stainless steel



SMEG U.S.A. INC.
A&D BUILDING
150 EAST 58th STREET, 7th FLOOR
NEW YORK, NY, 10155
Tel. +1 212 265 5378
Fax +1 212 265 5945