



C24GGXU

**Free-Standing Gas Range, 24",
Stainless Steel**

EAN13: 8017709173159

Exclusive Professional Style

AISI 304 stainless steel

Sturdy American style control knobs

4" Polished stainless steel backsplash

Gas oven

3 Cooking modes

Gas Convection mode

Broil mode

Defrost mode

Air cooled triple glazed removable door

"Ever-clean" enamelled oven interior

5 Shelf positions

Oven capacity: 2.8 Cu. Ft

Gas broil element: 10,500 BTU

Gas bake element: 11,200 BTU

Gas Rangetop

Heavy duty cast iron grates

Full width grates

Sealed burners

Automatic electronic ignition

Safety valves

LP Gas conversion kit included

4 Gas burners:

Front right: 6,200 BTU burner

Back right: 15,000 = 3,000 (inner) + 12,000

(outer) BTU double inset super burner

Back left: 3,400 BTU burner

Front left: 6,200 BTU burner

Connected load nominal power 120V

Amp supply required @120V: 1.2 Amp

Voltage rating: 120V 60Hz



Gas inlet location: back top right

Safety

Automatic re-ignition when flame is accidentally extinguished

Valved gas oven

Ventilated door with cooling system to prevent overheating

Anti-tilting norms satisfied

Suitable for building-in

Accessories included:

1 Baking tray

2 Chrome shelves

1 Wok ring

1 Moka ring

Optional Accessories:

"Classic" control knob kit

Options

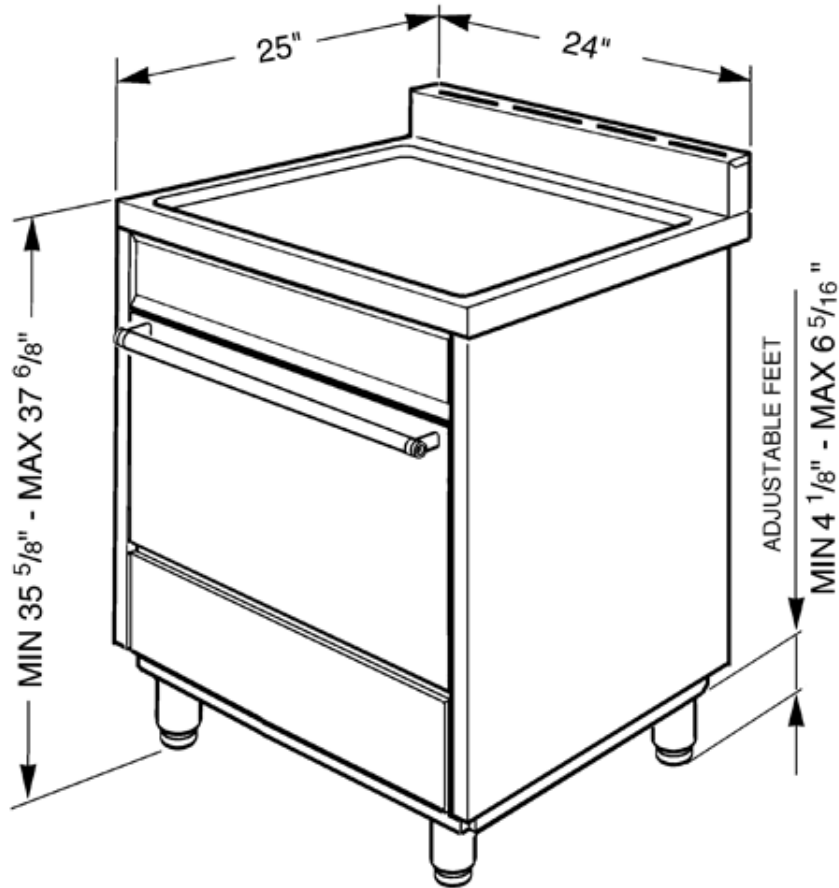
- **KIT124XU** - Island trim
- **GT1T-1** - Telescopic guides - full extension
- **GT1P-1** - Telescopic guides - half extension

**SMEG U.S.A. INC.
A&D BUILDING
150 EAST 58th STREET, 7th FLOOR
NEW YORK, NY, 10155
Tel. +1 212 265 5378
Fax +1 212 265 5945**



C24GGXU

24"
stainless steel
cooktops type: gas
oven type: gas



SMEG U.S.A. INC.
A&D BUILDING
150 EAST 58th STREET, 7th FLOOR
NEW YORK, NY, 10155
Tel. +1 212 265 5378
Fax +1 212 265 5945