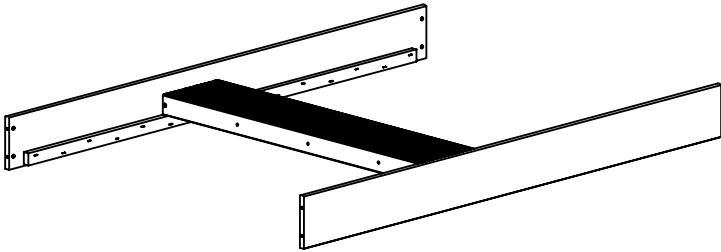
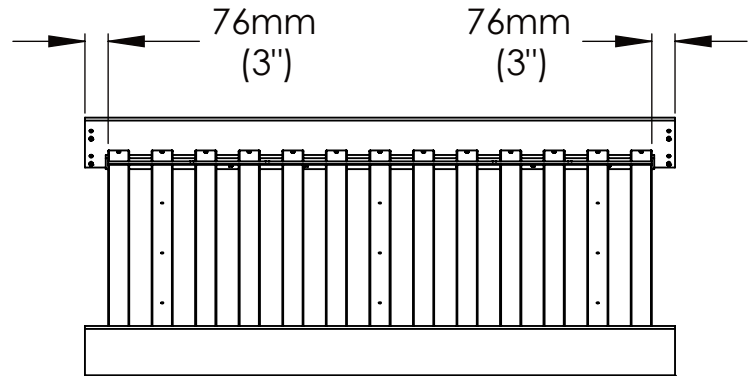


1.)

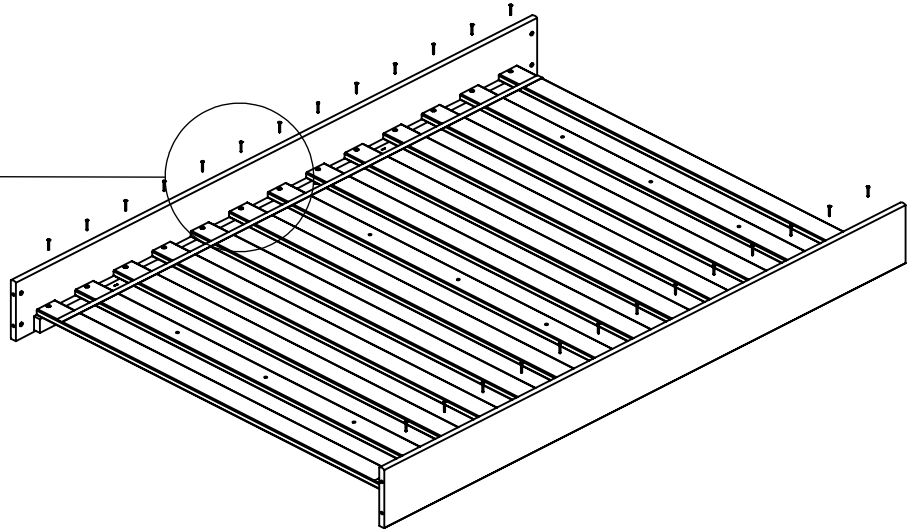
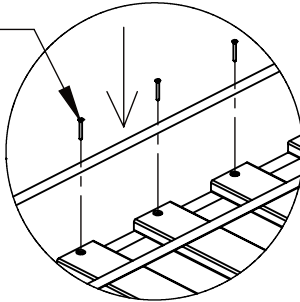


2.)



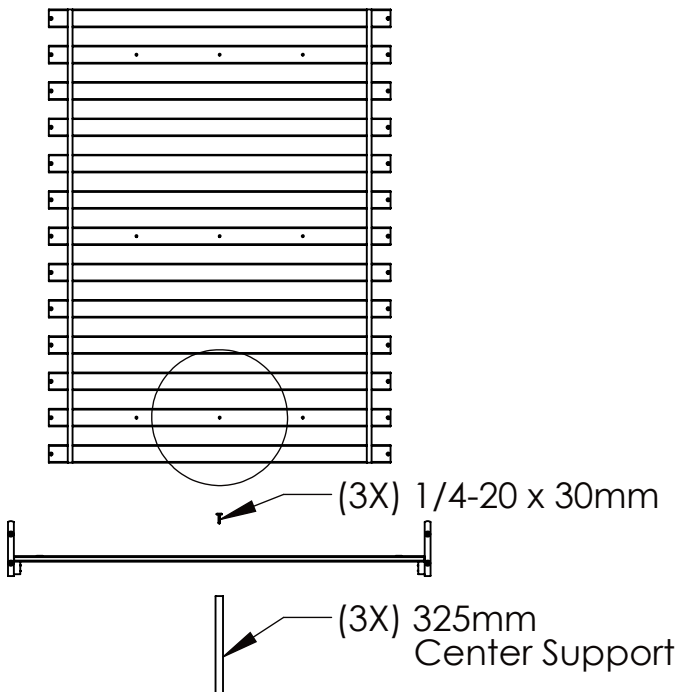
3.)

(26X) 1 1/4"



4.)

No Trundle Storage  
Use Center Support Holes



5.)

With Trundle Storage  
Use Offset Support Holes

