

# RS25H5111SR

24.5 cu. ft. Side-by-Side Refrigerator

## Features

- Large Capacity – 24.5 cu. ft.
- External Filtered Water and Ice Dispenser
- LED Lighting
- Twin Cooling Plus™
- ENERGY STAR® Compliant
- In-door Ice Maker
- Multi Air Flow
- Six Temperature Sensors
- Power Freeze and Power Cool Options
- Tempered Glass Spill-Proof Shelves
- Two Crisper Drawers
- Gallon Door Bins

## Convenience

- Door Alarm
- Water Filter Indicator



ENERGY STAR® rated:  
634 kWh/yr



Side-by-Side Design



External Filtered Water and Ice Dispenser

## Available Colors



Stainless Steel  
(shown)



White



Black

## Signature Features

### FILTERED WATER

- Get great-tasting, filtered water directly from your refrigerator. Spend less time

### TWIN COOLING PLUS™

- Keeps food fresher longer – Twin Cooling Plus™ humidity levels up to 3.6x higher than single cooling.
- Refrigerator air is kept at higher, near commercial grade humidity levels to keep perishable fruits and vegetables fresher longer.
- Drier freezer air means less freezer burn for better-tasting frozen foods.

### LED LIGHTING

- Beautifully lights up the interior so you're able to quickly spot what you want.
- Sleek design saves more space than traditional incandescent light bulbs.



Ranked **“Highest in Customer Satisfaction with Refrigerators”**  
by J.D. Power and Associates.

**SAMSUNG**

# RS25H5111SR

24.5 cu. ft. Side-by-Side Refrigerator

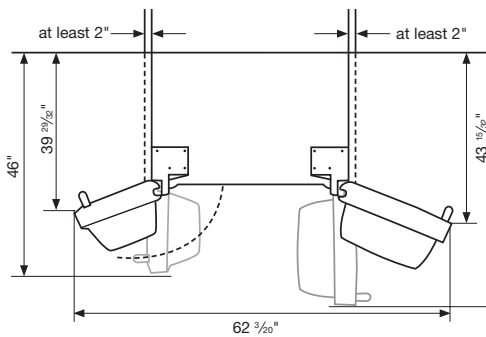
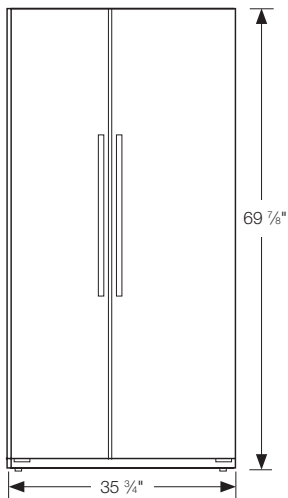
## Installing Your Refrigerator

1. Measure the height, width and depth of the opening, making sure to include baseboards, molding tile, countertop overhang, etc. Check to be sure there is enough room to open the door (consider walls, islands or other obstacles when measuring).
2. Refer to illustration below to determine dimensions.
3. Allow 2" of clearance on hinge side of refrigerator when installing next to a wall where handle may make contact.
4. Allow 1" minimum clearance at rear for proper air circulation and water/electrical connections. Allow a 3/8" minimum clearance at sides and top for ease of installation.
5. Ensure each door and entry way in the home is wide enough for the refrigerator to be moved through easily.

Please note: The following dimension and cutout information is for planning purposes only. For complete installation details consult manual packed with product, or download manual on-line at [samsung.com](http://samsung.com).



## Dimensions



## Total Capacity: 24.51 cu. ft.

### Refrigerator: 15.32 cu. ft.

- Multi Air Flow
- 4 Tempered Glass Spill-Proof Shelves
- 2 Clear Crispers
- 5 Door Bins
  - 2 Gallon Bins
  - 2 Clear Bins
  - 1 Dairy Bin
- LED Lighting

### Freezer: 9.18 cu. ft.

- External Filtered Water and Ice Dispenser (Crushed or Cubed Ice)
- Automatic In-Door Ice Maker
- 5 Glass Shelves
- 3 Clear Tilting Door Bins
- LED Lighting

## Accessories

Water Filter: HAF-CIN

## Warranty

One (1) Year All Parts and Labor

Five (5) Years Sealed System Parts and Labor

## Product Dimensions & Weight

Dimensions (WxHxD with hinges, handles and doors):  
35 3/4" x 69 7/8" x 36 1/2"

Dimensions (WxHxD without hinges and door):  
35 3/4" x 68 3/5" x 29 5/8"

Dimensions (WxHxD with hinge and door, no handle):  
35 3/4" x 69 7/8" x 33 3/4"

Weight: 288.8 lbs.

## Shipping Dimensions & Weight (WxHxD)

Dimensions: 37 3/4" x 78 7/8" x 36 1/4"

Weight: 299.8 lbs.

### Color

Stainless Steel

White

Black

### Model #

RS25H5111SR

RS25H5111WW

RS25H5111BC

### UPC Code

887276956091

887276957197

887276957180

**SAMSUNG**

Samsung received the highest numerical score for refrigerators in the proprietary J.D. Power and Associates 2012 Kitchen Appliance Study.<sup>SM</sup> Study based on 12,615 total responses measuring 17 brands and measures opinions of consumers about their refrigerator obtained new in the past 24 months. Proprietary study results are based on experiences and perceptions of consumers surveyed in January-February 2012. Your experiences may vary. Visit [jdpower.com](http://jdpower.com).

Actual color may vary. Design, specifications, and color availability are subject to change without notice. Non-metric weights and measurements are approximate.

©2013 Samsung Electronics America, Inc. 85 Challenger Road, Ridgefield Park, NJ 07660. Tel: 800-SAMSUNG. [samsung.com](http://samsung.com). Samsung is a registered trademark of Samsung Electronics Co. Ltd.