

RF30KMEDBSR

30 cu. ft. 4-Door French Door Refrigerator

Features

- Extra-Large Capacity – 30 cu. ft.
- FlexZone™ Drawer with 4 Temperature Control Settings and Smart Divider
- Twin Cooling Plus®
- Ice Master Ice Maker in the Refrigerator
- High-Efficiency LED Lighting
- Slide-in and Flip-up Shelf
- ENERGY STAR®-Compliant
- External Filtered Water and Ice Dispenser
- Stainless Steel Accents on Interior Shelving and Door Bins
- EZ-Open Handle™ on Freezer Door and FlexZone™ Drawer
- Two Humidity-Controlled Crispers
- Tempered Glass Spill-Proof Shelves
- Gallon Door Bins

Convenience

- Door Alarm
- Water Filter Indicator



ENERGY STAR®-rated:
740 kWh/yr



FlexZone™ Drawer



Ice Master Ice Maker

Available Color



Stainless Steel

Signature Features

EXTRA-LARGE CAPACITY

- Our 30 cu. ft. extra-large capacity French Door has enough room to fit up to 30 bags of groceries.¹

¹Grocery comparison based on each cubic foot of usable space equaling one paper bag.

FLEXZONE™ DRAWER

- Counter-height drawer is optimized for family organization with easy access for kids.
- Adjustable Smart Divider and four customizable temperature control settings from Chill to Soft Freeze.

TWIN COOLING PLUS®

- Maintains cooling air for the refrigerator and freezer separately.
- Refrigerator air is kept at higher, near-commercial-grade humidity levels to keep perishable fruits and vegetables fresher longer.
- Drier air in the freezer means less freezer burn for better-tasting food.

SAMSUNG

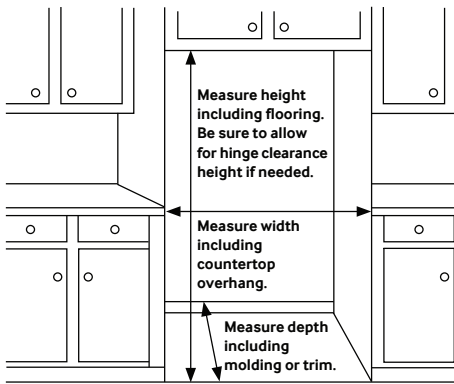
RF30KMEDBSR

30 cu. ft. 4-Door French Door Refrigerator

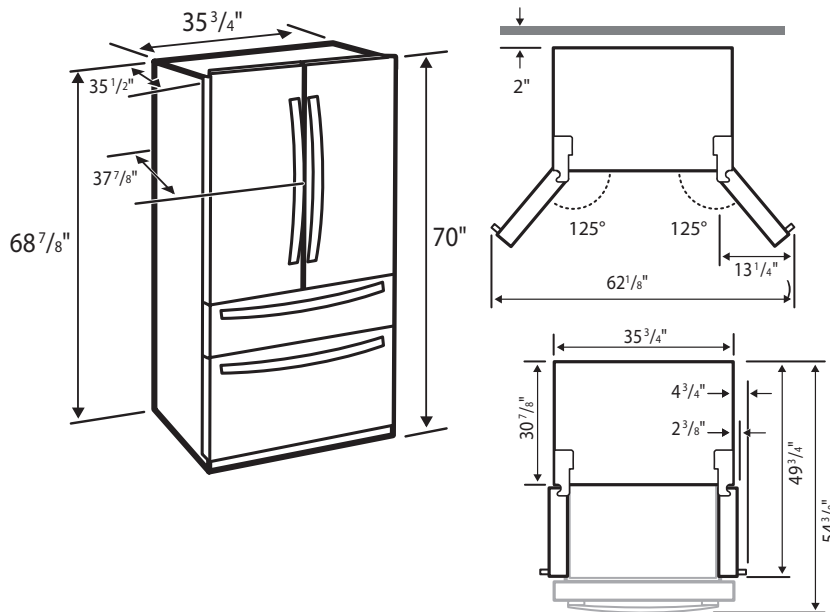
Installing Your Refrigerator

1. Measure the height, width and depth of the opening, making sure to include baseboards, molding tile, countertop overhang, etc. Check to be sure there is enough room to open the door (consider walls, islands or other obstacles when measuring).
2. Refer to illustration below to determine dimensions.
3. Allow 2" of clearance on hinge side of refrigerator when installing next to a wall where handle may make contact.
4. Allow 1" minimum clearance at rear for proper air circulation and water/electrical connections. Allow a 3/8" minimum clearance at sides and top for ease of installation.
5. Ensure each door and entryway in the home is wide enough for the refrigerator to be moved through easily.

Please note: The following dimension and cutout information is for planning purposes only. For complete installation details consult manual packed with product, or download manual online at samsung.com.



Dimensions



Total Capacity: 29.7 cu. ft.

Refrigerator: 16.6 cu. ft.

- External Filtered Water and Ice Dispenser (Crushed or Cubed Ice)
- Ice Master Ice Maker
- 2 Humidity-Controlled Crispers
- 6 Door Bins: 3 Gallon, 3 Regular
- 5 Tempered Glass Spill-Proof Shelves
 - 1 Slide-In
 - 2 Slide-Out
 - 1 Foldable Half
 - 1 Fixed
- High-Efficiency LED Lighting

FlexZone™ Drawer: 4.1 cu. ft.

- EZ-Open Handle™
- 4 Temperature Zones with Smart Divider:
 - Meat/Fish (29°F)
 - Cold Drinks (33°F)
 - Deli/Snacks (37°F)
 - Wine/Party Dishes (42°F)
- High-Efficiency LED Lighting

Freezer: 9.0 cu. ft.

- EZ-Open Handle™
- 1 Drawer Divider
- 1 Freezer Bin
- High-Efficiency LED Lighting

Accessories

Water Filter: HAF-CIN/EXP

Warranty

One (1) Year Parts and Labor on Refrigerator
Five (5) Years Parts and Labor on Sealed Refrigeration System Only*
Ten (10) Years Parts and Five (5) Years Labor on Digital Inverter Compressor

*Compressor, evaporator, condenser, drier, connecting tubing.

Product Dimensions & Weight

Dimensions (WxHxD with hinges, handles and doors):
35³/₄" x 70" x 37⁷/₈"

Dimensions (WxHxD without hinges and door):
35³/₄" x 68⁷/₈" x 30⁷/₈"

Dimensions (WxHxD with hinge and door, no handle):
35³/₄" x 70" x 35¹/₂"

Weight: 379.1 lbs.

Shipping Dimensions & Weight (WxHxD)

Dimensions: 38¹/₄" x 76" x 38¹/₄"

Weight: 405.6 lbs.

Color	Model #	UPC Code
Stainless Steel	RF30KMEDBSR	887276143859

SAMSUNG

Actual color may vary. Design, specifications, and color availability are subject to change without notice. Non-metric weights and measurements are approximate.

©2016 Samsung Electronics America, Inc. 85 Challenger Road, Ridgefield Park, NJ 07660. Tel: 800-SAMSUNG. samsung.com. Samsung is a registered trademark of Samsung Electronics Co. Ltd.