

NZ36K6430RS

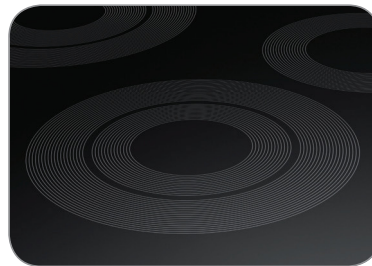
36" Electric Cooktop

Features

- WiFi Connectivity
- Flexible Cooktop:
 - Rapid Boil™ Burner (3.3 kW)
 - Triple Burner (12"/9"/6")
 - Dual Burners (9"/6")
 - Two Single Burners (7")
- 10 kW Total Power
- Simmer/Melt Burners

Convenience

- Hot Surface Indicator Light
- Easy-To-Clean Glass, Ceramic Cooktop
- Dishwasher-Safe Knobs



Rapid Boil™



LED Illuminated Backlit Knobs

Available Colors



Stainless Steel (shown)



Black Stainless Steel

Signature Features

RAPID BOIL™

- Up to 3.3 kW power burner offers intense heat and precise control to quickly boil water or maintain a low even simmer.

FLEXIBLE COOKTOP

- Whether you're boiling water, melting chocolate or simmering sauce, there's a burner for your needs.

LED ILLUMINATED BACKLIT KNOBS

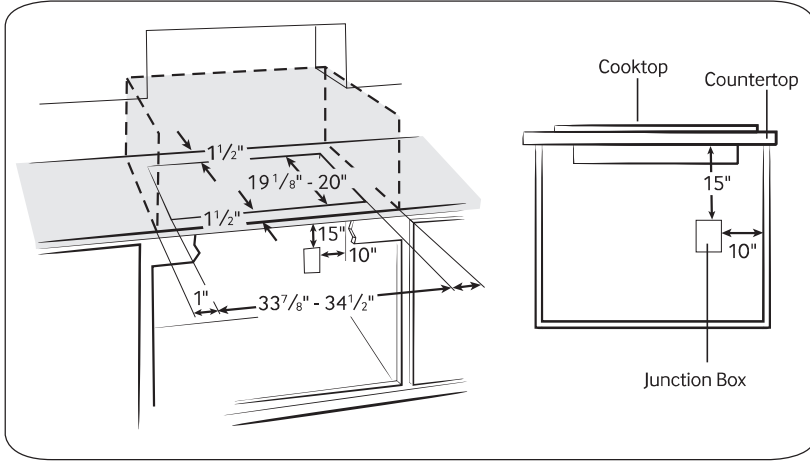
- Visually lets you know your cooktop is on, even at a distance.

NZ36K6430RS

36" Electric Cooktop

Installing Your Cooktop

Can be installed over a single oven.



Total Power

10 kW

Power Source

240V/60Hz/45 Amps

Electric Cooktop

- Left Front: 7", 1.5 kW
- Left Rear: 7", 1.5 kW
- Right Front: 9"/6", 3.3 kW
- Right Rear: 6", 1.2 kW (Melt)
- Center: 12"/9"/6", 3 kW

Warranty

One (1) Year All Parts and Labor

Product Dimensions & Weight (WxHxD)

Outside (Max) Cooktop Dimensions:

$36" \times 5\frac{1}{16}" \times 21\frac{1}{4}"$

Cooktop Cut-Out Dimensions:

$33\frac{7}{8}" \times 5\frac{1}{16}" \times 19\frac{1}{8}"$

Weight: 41.2 lbs.

Shipping Dimensions & Weight (WxHxD)

Dimensions:

$40\frac{3}{16}" \times 9\frac{1}{16}" \times 25\frac{1}{16}"$

Weight: 50.7 lbs.

Color

Stainless Steel

Model#

NZ36K6430RS

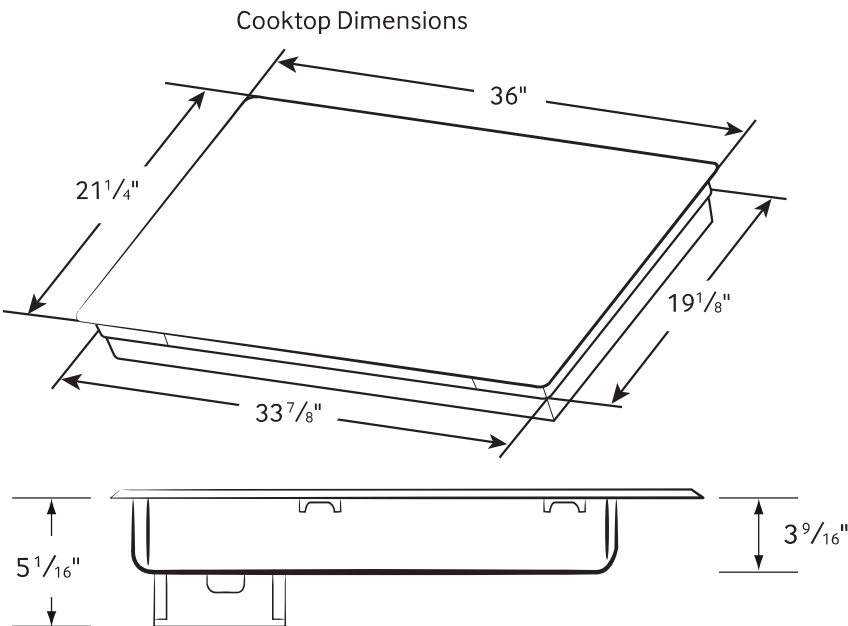
UPC Code

887276183213

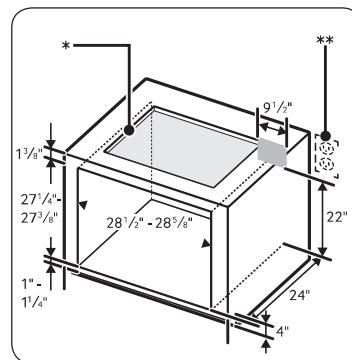
Black Stainless Steel

NZ36K6430RG 887276183527

Dimensions



Cutout Dimensions of Countertop



* See built-in oven installation for complete installation instructions. See label on top of approved built-in oven models.

** Refer to installation manual of oven.

SAMSUNG

Actual color may vary. Design, specifications, and color availability are subject to change without notice. Non-metric weights and measurements are approximate.

©2016 Samsung Electronics America, Inc. 85 Challenger Road, Ridgefield Park, NJ 07660. Tel: 800-SAMSUNG. samsung.com. Samsung is a registered trademark of Samsung Electronics Co., Ltd.