

# NE59N6630SS

SAMSUNG

## Samsung True Convection Freestanding Electric Range

5.9 cu. ft. Capacity



### Signature Features

#### Flexible Cooktop

- Accommodates multiple pan sizes on 5 specialized elements, including a dual and triple ring element.

#### True Convection

- Cook food faster and more evenly with a heated fan system that is great for baking and broiling.

#### Rapid Boil

- Offers intense heat and precise control – rapidly going from a low simmer to high heat for fast and even cooking.

### Available Colors



Stainless Steel (shown)



Black Stainless Steel



True Convection



Rapid Boil

### Features

- Flexible Cooktop – Five Electric Elements
  - One Dual Elements (6"/9")
  - One Triple Elements (6"/9"/12")
  - Two Single Elements (6")
  - One Warming Center (7")
- Large Oven Capacity – 5.9 cu. ft.
- Rapid Boil (3300W Element)
- Touch Controls
- Wide View Window
- Hidden Bake Element
- Storage Drawer

### Convenience

- Self & Steam Clean
- 3 Chrome Oven Racks
- Auto Oven Light
- Proofing
- Sabbath Mode
- Kitchen Timer
- Delay Start
- Auto Shut-Off Option
- Child Safety Lock

# NE59N6630SS

# SAMSUNG

## Samsung True Convection Freestanding Electric Range

5.9 cu. ft. Capacity

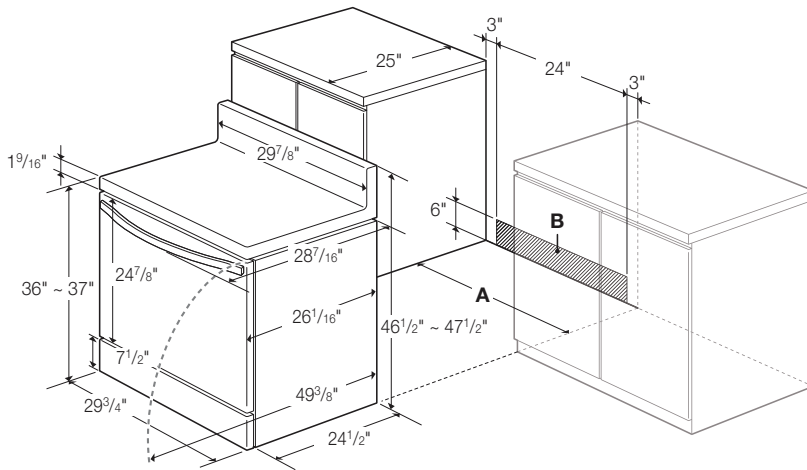
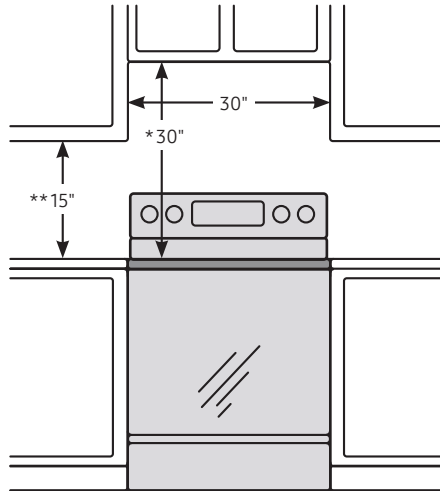
### Installation Specifications

\*30" minimum clearance between the top of the cooking surface and the bottom of an unprotected wood or metal cabinet; or If no 30" minimum clearance, 24" minimum when the bottom of the wood or metal cabinet is protected by not less than 0.25" flame-retardant millboard covered with not less than no. 28 MSG sheet steel, 0.015" stainless steel, 0.024" aluminum, or 0.020" copper.

\*\*15" minimum between the countertop and the adjacent cabinet bottom.

**IMPORTANT:** To eliminate the risk of burns or fire caused by reaching over heated surface units, cabinet storage space located above the surface units should be avoided. If cabinet storage is to be provided, the risk can be reduced by installing a range hood that projects horizontally a minimum of 5" beyond the bottom of the cabinets.

A: Required Cabinet Opening is 30"  
B: Acceptable Electrical Outlet Space



### Electric Ceramic Cooktop

- Right Front: 6"/9"/12" Triple Element, 3000W
- Left Front: 6"/9" Dual Element, 3300W
- Right Rear: 6" Element, 1200W
- Left Rear: 6" Element, 1200W
- Center Rear: 7" Warming Center

### Oven

- Capacity: 5.9 cu. ft.
- Hidden Bake Element
- Bake: 175°F–550°F
- Convection Bake: 175°F–550°F
- Convection Roast: 175°F–550°F
- Variable Broil: Low/High
- Proofing
- Sabbath Mode

### Storage Drawer

Capacity: 1.4 cu. ft.

### Power Source

240V/60 Hz/40A

### Warranty

One (1) Year All Parts and Labor  
Five (5) Years Electric Cooktop

### Product Dimensions & Weight (WxHxD)

Actual Oven Dimensions: 25" x 18<sup>15/16</sup>" x 20<sup>3/4</sup>"

Outside Net Dimensions: 29<sup>7/8</sup>" x 47<sup>1/8</sup>" x 26"

Weight: 165 lbs.

### Shipping Dimensions & Weight (WxHxD)

Dimensions: 33<sup>1/16</sup>" x 50<sup>2/5</sup>" x 30<sup>5/16</sup>"

Weight: 189 lbs.

Color	Model #	UPC Code
Stainless Steel	NE59N6630SS	887276254203
Black Stainless Steel	NE59N6630SG	887276254197