



Scan this with your smartphone

Scan the QR code\* or visit [www.samsung.com/spsn](http://www.samsung.com/spsn) to view our helpful How-to Videos and Live Shows  
\*Requires reader to be installed on your smartphone

Please be advised that the Samsung warranty does NOT cover service calls to explain product operation, correct improper installation, or perform normal cleaning or maintenance.

QUESTIONS OR COMMENTS

COUNTRY	CALL	OR VISIT US ONLINE AT
U.S.A Consumer Electronics	1-800-SAMSUNG (726-7864)	<a href="http://www.samsung.com/us/support">www.samsung.com/us/support</a>
CANADA	1-800-SAMSUNG (726-7864)	<a href="http://www.samsung.com/ca/support">www.samsung.com/ca/support</a> (English) <a href="http://www.samsung.com/ca_fr/support">www.samsung.com/ca_fr/support</a> (French)

DG68-00598A-01

# Electric Range

---

User manual

NE59J7630\*\*

---



# Anti-tip device

---

## **WARNING**

To reduce the risk of tipping the range, the range must be secured by a properly installed Anti-Tip device. **AFTER THE RANGE HAS BEEN INSTALLED, CONFIRM THAT THE ANTI-TIP DEVICE HAS BEEN PROPERLY INSTALLED AND VERIFY THAT THE ANTITIP DEVICE IS PROPERLY ENGAGED.** Refer to the installation manual for instructions.

- a) If the anti-tip device is not installed, a child or adult can tip the range and be killed.
- b) Verify that the anti-tip device has been properly installed and engaged at the rear right (or rear left) of the range bottom.
- c) If you move the range and then move it back into place, ensure the antitip device is re-engaged at the right or left rear of the range bottom.
- d) Do not operate the range without the anti-tip device in place and engaged.
- e) Failure to do so can result in death or serious burns to children or adults.

## **WARNING**

- Do not step, lean, or sit on the doors of the range.** You can cause the range to tip, resulting in burns or serious injuries.
- Confirm that the Anti-Tip device is installed properly. Then, to verify that the Anti-Tip device is engaged, grasp the top rear edge of the range and carefully attempt to tilt it forward. The Anti-Tip device should prevent the range from tilting forward more than a few inches.

If you pull the range out from the wall for any reason, make sure the antitip device is properly engaged when you push the range back against the wall. If it is not, there is a risk of the range tipping over and causing injury if you or a child stand, sit, or lean on the open door.

Never completely remove the leveling legs. If you remove the leveling legs, the range will not be secured to the anti-tip device properly.

# Contents

---

<b>Important safety instructions</b>	<b>5</b>
<b>Introducing your new range</b>	<b>22</b>
Overview	22
What's included with your range	23
<b>Before you begin</b>	<b>24</b>
Energy saving tips	24
<b>Cooktop cooking</b>	<b>25</b>
About cooktop cooking	25
How to set the appliance for cooktop cooking	28
Using the proper cookware	30
Choosing the proper cookware	31
Protecting the smoothtop	31
<b>Operating the oven</b>	<b>33</b>
The oven control panel	33
Setting the clock	34
Setting the kitchen timer	35
Timed cooking	35
Delay start	36
Turning the oven light on and off	37
Minimum and maximum settings	37
Using the oven racks	38
Baking	39
Convection baking	40
Convection roasting	41
Broiling	42
Using the easy cook feature	44
Using the favorite cook feature	45
Using the keep warm feature	45
Using the sabbath feature	46
Extra features	48
<b>Maintaining your appliance</b>	<b>51</b>
Self-cleaning	51
Steam-cleaning	54
Care and cleaning of the oven	55
Care and cleaning of the glass cooktop	57
Removing and replacing the oven door	60
Removing and replacing the storage drawer	62
Changing the oven light	62

# Contents

---

Troubleshooting	<b>63</b>
Troubleshooting	63
Information codes	68
<b>Warranty (U.S.A)</b>	<b>69</b>
Warranty (CANADA)	71

# Important safety instructions

---

Read and follow all instructions before using your oven to prevent the risk of fire, electric shock, personal injury, or damage when using the range.

This guide does not cover all possible conditions that may occur. Always contact your service agent or manufacturer about problems that you do not understand.

## What you need to know about safety instructions

---

Warnings and Important Safety Instructions in this manual do not cover all possible conditions and situations that may occur. It is your responsibility to use common sense, caution, and care when installing, maintaining, and operating your oven.

### Important safety symbols and precautions

What the icons and signs in this user manual mean:

#### **WARNING**







Hazards or unsafe practices that may result in **severe personal injury or death**.

#### **CAUTION**

Hazards or unsafe practices that may result in **minor personal injury or property damage**.

#### **CAUTION**

To reduce the risk of fire, explosion, electric shock, or personal injury when using your oven, follow these basic safety precautions.

-  Do NOT attempt.
-  Do NOT disassemble.
-  Do NOT touch.
-  Follow directions explicitly.
-  Unplug the power plug from the wall socket.
-  Make sure the machine is grounded to prevent electric shock.

# Important safety instructions

---

 Call the service center for help.

 Note

These warning signs are here to prevent injury to you and others. Please follow them explicitly.





After reading this section, keep it in a safe place for future reference.

## For your safety

---

**When using electrical appliances, you should follow basic safety precautions, including the following:**

### **CAUTION**

- Use this appliance only for its intended purpose as described in this Owner's Manual.
- Potentially hot surfaces include the cooktop, areas facing the cooktop, oven vent opening, surfaces near the opening, crevices around the oven door.
-  Be sure your appliance is properly installed and grounded by a qualified technician.
-  **User servicing** - Do not repair or replace any part of the appliance unless specifically recommended in this manual. All other servicing should be referred to a qualified technician.
-  Always disconnect the power to the appliance before servicing by removing the fuse or switching off the circuit breaker.
-  **Do not enter the oven.**
  - **Do not store items of interest to children in cabinets above a range or on the back guard of a range.** Children climbing on the range to reach items could be seriously injured.
  - **Do not leave children alone.** Never leave children alone or unattended in an area where this appliance is in use. They should never be allowed to sit or stand on any part of the appliance.
  - **Never use your appliance for warming or heating the room.**

- 
- ☒ • **Do not use water on grease fires.** Turn off the oven to avoid spreading the flames. Smother the fire or flames by closing the door or use a dry chemical, baking soda, or foam-type extinguisher.
  - Avoid scratching or impacting glass doors, cooktops or control panels. Doing so may lead to glass breakage. Do not cook on a product with broken glass. Shock, fire, or cuts may occur.
  - If there is a fire in the oven during self clean, turn the oven off and wait for the fire to go out. Do not force the door open. Introduction of fresh air at self-clean temperatures may lead to a burst of flame from the oven. Failure to follow this instruction may result in severe burns.
  - If the oven is heavily soiled with oil, self clean the oven before using the oven again. Leaving the oil in place creates a risk of fire.
  - Wipe up heavy soil on the oven bottom with a paper towel or rag before self cleaning. Self cleaning the oven when there is heavy soil on the oven bottom requires longer cleaning cycles and produces more smoke.
  - ★ • **Storage in or on the appliance.** Do not store flammable materials in the oven or near the surface units. Be sure all packing materials are removed from the appliance before operating it. Keep plastics, clothes, and paper away from parts of the appliance that may become hot.
  - **Wear proper apparel.** Never wear loose-fitting or hanging garments while using the appliance.
  - **Use only dry potholders.** Placing moist or damp potholders on hot surfaces may result in burns from steam. Do not let the potholder touch hot heating elements. Do not use a towel or other bulky cloth.
  - Teach children not to play with the controls or any other part of the range.
  - For your safety, do not use high-pressure water cleaners or steam jet cleaners.
  - If the power cord is damaged, it must be replaced by the manufacturer, its service agent, or similarly qualified persons to avoid creating a hazard.



# Important safety instructions

---

- ★ • The appliance is not intended for use by persons (including children) with reduced physical, sensory or mental capabilities, or lack of experience and knowledge, unless they have been given supervision or instruction concerning use of the appliance by a person responsible for their safety.

## Surface cooking units

---

- ☐ • **Never leave surface units unattended at high heat settings.** Boilovers cause smoking and greasy spillovers that may ignite.
  - Protective Liners - Do not use aluminum foil to line surface unit drip bowls or oven bottoms, except as suggested in the manual. Improper installation of these liners may result in a risk of electric shock or fire.
  - To avoid oil spillover and fire, use a minimum amount of oil when shallow pan-frying and avoid cooking frozen foods with excessive amounts of ice.
  - **Do not lift the cooktop.** Lifting the cooktop can damage the range and cause the range to malfunction.
  - **Do not operate the cooktop without cookware.** If the cooktop operates without cookware, the control knobs will become hot.
  - Never use the glass cooktop surface as a cutting board.

- 
- ★ • **Use care when touching the cooktop.** The glass surface of the cooktop will retain heat after the controls have been turned off.
  - **Be careful when placing spoons or other stirring utensils on the glass cooktop surface** when it is in use. They may become hot and could cause burns.
  - **Use proper pan sizes.** This appliance is equipped with surface units of different size. Select pots and pans that have flat bottoms large enough to cover the surface area of the heating element. Using undersized cookware will expose a portion of the heating element to direct contact and may result in the ignition of clothing. Matching the size of the pot or pan to the burner will also improve efficiency.
  - **Utensil Handles Should Be Turned Inward and Not Extend Over Adjacent Surface Units** – To reduce the risk of burns, ignition of flammable materials, or spillage due to unintentional contact with utensils, position utensil handles so that they are turned inward and do not extend over adjacent surface units.
  - ★ • **Glazed cooking utensils.** Only certain types of glass, glass/ceramic, ceramic, earthenware, or other glazed cookware can be used for rangetop service without breaking due to sudden changes in temperature.
  - **Cleaning.** Read and follow all instructions and warnings on the cleaning cream labels.
  - Be sure you know which control knob operates each surface unit. Make sure you turned on the correct surface unit.
  - Always turn the surface units off before removing cookware.
  - When preparing flaming foods under the hood, turn the fan on.
  - Keep an eye on foods being fried at high or medium high heat settings.
  - **Do not store heavy items above the cooktop surface that could fall and damage it.**
  - **Do not Use Decorative Surface Element Covers** – If an element is accidentally turned on, the decorative cover will become hot and possibly melt. Burns will occur if the hot covers are touched. Damage may also be done to the cooktop.

# Important safety instructions

---

## Electrical safety

---

- ★ • **Proper Installation-** Be sure your appliance is properly installed and grounded by a qualified technician.
  - The appliance should be serviced only by qualified service personnel. Repairs carried out by unqualified individuals may cause injury or a serious malfunction. If your appliance is in need of repair, contact a Samsung authorized service center. Failure to follow these instructions may result in damage and void the warranty.
  - Flush - mounted appliances may be operated only after they have been installed in cabinets and workplaces that conform to the relevant standards. This ensures that the appliances are installed in compliance with the appropriate safety standards.
  - If your appliance malfunctions or if fractures, cracks, or splits appear:
    - switch off all cooking zones
    - unplug the range from the AC wall outlet
    - contact your local Samsung service center.

### **WARNING**

If the surface is cracked, switch off and unplug the appliance to avoid the possibility of electrical shock. Do not use your cooktop until the glass surface has been replaced.

### **WARNING**

- Ensure that the appliance is switched off before replacing the lamp to avoid the possibility of electric shock.
- The range should not be placed on a base.

---

## Child safety

---

### **⚠ WARNING**

- This appliance is not intended for use by young children or infirm persons without the adequate supervision of a responsible adult.
- Young children should be supervised to ensure that they do not play with the appliance.
- Keep children away from the door when opening or closing it as they may bump themselves on the door or catch their fingers in the door.
- The cooking zones will become hot when you cook. To keep small children from being burned, always keep them away from the appliance while you are cooking.
- During self cleaning, the surfaces may get hotter than usual. Keep small children away from the range when it is in the self-cleaning mode.

### **⚠ WARNING**

Accessible parts may become hot during use. To avoid burns, young children should be kept away.

---

## Oven

---

- ☐ • **DO NOT TOUCH THE HEATING ELEMENTS OR INTERIOR SURFACES OF THE OVEN.** Heating elements may be hot even though they are dark in color. Interior surfaces of an oven become hot enough to cause burns. During and after use, do not touch or let clothing or other flammable materials contact the heating elements or interior surfaces of the oven until they have had sufficient time to cool. Other surfaces of the appliance may become hot enough to cause burns. Among these surfaces are oven vent openings and surfaces near these openings, the oven door, and the window of the oven door.
- **Do not heat unopened food containers.** The build-up of pressure may cause the container to burst and result in injury.

# Important safety instructions

---

- ☒ • **Do not use the oven to dry newspapers.** If overheated, newspapers can catch on fire.
- **Do not use the oven for a storage area.** Items stored in an oven can ignite.
- ★ • **Use care when opening the door.** Let hot air or steam escape before you remove food from or put food into the oven.
- **Protective liners.** Do not use aluminum foil to line the oven bottoms, except as suggested in the manual. Improper installation of these liners may result in a risk of electric shock or fire.
- **Keep oven vent ducts unobstructed.** The oven vent is located above the right rear surface unit. This area could become hot during oven use. Never block this vent or place plastic or heat-sensitive items on it.
- **Placement of oven racks.** Always place oven racks in the desired location while the oven is cool. If the rack must be moved while the oven is hot, use potholders. Do not let the potholders come in contact with the hot heating element in the oven.
- ☒ • Do not allow aluminum foil or a meat probe to contact the heating elements.
- **During use, the appliance becomes hot.** Care should be taken to avoid touching heating elements inside the oven.
- Do not use harsh abrasive cleaners or sharp metal scrapers to clean the oven door glass. They can scratch the surface which may result in the glass shattering.

## CAUTION

**Do not attempt to operate the oven during a power failure.** If the power fails, always turn the oven off. If the oven is not turned off and the power returns, the oven may begin to operate again. Food left unattended could catch fire or spoil.

---

## Self-cleaning ovens

---

- ☒ **Do not clean the door gasket.** The door gasket is essential for a good seal. Care should be taken not to rub, damage, or move the gasket.
- ★ • **Never keep pet birds in the kitchen.** Birds are extremely sensitive to the fumes released during an oven self-clean cycle. Fumes may be harmful or fatal to birds. Move birds to a well-ventilated room.
  - **Clean only the parts listed in this manual in the self-clean cycle.** Before self-cleaning the oven, remove the partition, rack, utensils, and any food.
- ★ • Before operating the self-clean cycle, wipe grease and food soils from the oven. Excessive amounts of grease may ignite, leading to smoke damage to your home.
  - Do not use any commercial oven cleaner or oven liner protective coating of any kind in or on the outside of the oven.
  - Remove the nickel oven shelves from the oven before you begin the self cleaning cycle or they may discolor.
  - If the self-clean mode malfunctions, turn the oven off and disconnect the power supply. Have it serviced by a qualified technician.
  - Excess spillage must be removed before you run the self cleaning cycle.

---

## Ventilating hood

---

- ★ • **Clean ventilating hoods frequently.** Do not let grease accumulate on the hood or filter.
  - **When flaming foods under the hood, turn the fan on.**

# Important safety instructions

---

## Glass/Ceramic cooking surfaces

---

- ☐ • **DO NOT TOUCH SURFACE UNITS OR AREAS NEAR UNITS.**  
Surface units may be hot even though they are dark in color. Areas near surface units may become hot enough to cause burns. During and after use, do not touch, or let clothing or other flammable materials contact the surface units or areas near the units until they have had sufficient time to cool. Among these areas are the cook-top and the facing of the cook-top.
- **Do not cook on a broken cooktop.** If the cooktop should break, cleaning solutions and spillovers may penetrate the broken cook-top and create a risk of electric shock. Contact a qualified technician immediately.
- ★ **Clean the cooktop with caution.** If a wet sponge or cloth is used to wipe spills on a hot cooking area, be careful to avoid steam burns. Some cleaners can produce noxious fumes if applied to a hot surface.

## Critical installation warnings

---

### ⚠ WARNING

- ★ • This appliance must be installed by a qualified technician or service company.
  - Failing to have a qualified technician install the range may result in electric shock, fire, an explosion, problems with the product, or injury.
- Unpack the oven, remove all packaging material and examine the oven for any damage such as dents on the interior or exterior of the oven, broken door latches, cracks in the door, or a door that is not lined up correctly. If there is any damage, do not operate the oven and notify your dealer immediately.
- Plug the power cord into a properly grounded outlet with the proper configuration. Your oven should be the only item connected to this circuit.
- Keep all packaging materials out of the reach of children. Children may use them for play and injure themselves.
- Install your appliance on a level and hard floor that can support its weight.
  - Failing to do so may result in abnormal vibrations, noise, or problems with the product.

- 
- ⚡ • This appliance must be properly grounded.
    - Do not ground the appliance to a gas pipe, plastic water pipe, or telephone line.
      - This may result in electric shock, fire, an explosion, or problems with the product
    - Do not cut or remove the ground prong from the power cord under any circumstances.
    - Connect the oven to a circuit that provides the correct amperage.
  - ☒ • Do not install this appliance in a humid, oily or dusty location, or in a location exposed to direct sunlight or water (rain drops).
    - This may result in electric shock or fire.
  - Do not use a damaged power cord or loose wall socket.
    - This may result in electric shock or fire.
  - Do not pull or excessively bend the power cord.
  - Do not twist or tie the power cord.
  - ☒ • Do not hook the power cord over a metal object, place a heavy object on the power cord, or insert the power cord between objects.
    - This may result in electric shock or fire.
  - ✎ If the power cord is damaged, contact your nearest Samsung service center.



# Important safety instructions

---

## Critical usage warning

---

### CAUTION

- If the appliance is flooded by any liquid, please contact your nearest service center. Failing to do so may result in electric shock or fire.
  - If the appliance produces a strange noise, a burning smell, or smoke, unplug the power plug immediately and contact your nearest service center.
    - Failing to do so may result in electric shock or fire
  - In the event of a gas leak (such as propane gas, LP gas, etc.), ventilate the area immediately. Do not touch the power cord. Do not touch the appliance.
    - A spark may result in an explosion or fire.
  - Take care not to contact the oven door, heating elements, or any of the other hot parts with your body while cooking or just after cooking.
    - Failing to do so may result in burns.
  - If materials inside the oven should ignite, keep the oven door closed, turn the oven off and disconnect the power cord, or shut off power at the fuse or circuit breaker panel. If the door is opened, the fire may spread.
  - Always observe safety precautions when using your oven. Never try to repair the oven on your own - there is dangerous voltage inside. If the oven needs to be repaired, contact an authorized service center near you.
  - If you use the appliance when it is contaminated by foreign substances such as food waste, it may result in a problem with the appliance.
  - Take care when removing the wrapping from food taken out of the appliance.
    - If the food is hot, hot steam may be emitted abruptly when you remove the wrapping and this may result in burns.
- Do not attempt to repair, disassemble, or modify the appliance yourself.
  - Since a high voltage current enters the product chassis, it may result in electric shock or fire.
  - When a repair is needed, contact your nearest service center.
- If any foreign substance such as water has entered the appliance, contact your nearest service center.
  - Failing to do so may result in electric shock or fire.

- 
- ☐ • Do not touch the power cord with wet hands.
    - This may result in electric shock.
  - Do not turn the appliance off while an operation is in progress.
    - This may cause a spark and result in electric shock or fire.
  - Keep all packaging materials well out of the reach of children, as packaging materials can be dangerous to children.
    - If a child places a plastic bag over its head, the child can suffocate.
  - Do not let children or any person with reduced physical, sensory, or mental capabilities use this appliance unsupervised.
  - Make sure that the appliance's controls and cooking areas are out of the reach of children.
    - Failing to do so may result in electric shock, burns, or injury.
  - Do not touch the inside of the appliance immediately after cooking. The inside of the appliance will be hot.
    - Failing to do so may result in burns.
  - Do not use or place flammable sprays or objects near the oven.
    - Flammable items or sprays can cause fires or an explosion.
  - Do not insert fingers, foreign substances, or metal objects such as pins or needles into inlets, outlets, or holes. If foreign substances are inserted into any of these holes, contact your product provider or nearest service center.
  - Do not tamper with or make any adjustments or repairs to the door. Under no circumstances should you remove the door or outer shell of the oven.
  - Do not store or use the oven outdoors.
  - Never use this appliance for purposes other than cooking.
    - Using the appliance for any purpose other than cooking may result in fire.

# Important safety instructions

---



- ☐ • Open the cap or stopper of sealed containers (herb tonic tea bottle, baby bottle, milk bottle and so on) before heating them. Make a hole in food items that have shells (eggs, chestnuts, etc) with a knife before cooking them.
  - Failing to do so may result in burns or injury.
- Never heat plastic or paper containers and do not use them for cooking.
  - Failing to do so may result in fire.
- Do not heat food wrapped in paper from magazines, newspapers, etc.
  - This may result in fire.
- Do not open the door when the food in the oven is burning.
  - If you open the door, it causes an inflow of oxygen and may cause the food to ignite.
- Do not apply excessive pressure to the door or the inside of the appliance. Do not strike the door or the inside or the appliance.
  - Hanging on to the door may result in the product falling and cause serious injury.
  - If the door is damaged, do not use the appliance. Contact a service center.
- Do not hold food in your bare hands during or immediately after cooking.
  - Use cooking gloves. The food may be very hot and you could burn yourself.
  - Use a cooking glove or gloves, Handle and oven surfaces may be hot enough to cause burns after cooking.

---

## Usage cautions

---

### CAUTION

-  • If the surface is cracked, turn the appliance off.
  - Failing to do so may result in electric shock.
- Dishes and containers can become hot. Handle with care.
- Hot foods and steam can cause burns. Carefully remove container coverings, directing the steam away your hands and face.
- Remove lids from baby food jars before heating. After heating baby food, stir well to distribute the heat evenly. Always test the temperature by tasting before feeding the baby. The glass jar or the surface of the food may appear to be cooler than the interior, which can be hot enough to burn an infant's mouth.
- Take care as beverages or food may be very hot after heating.
  - Especially when feeding a child. Check that it has cooled sufficiently.
- Take care when heating liquids such as water or other beverages.
  - Make sure to stir during or after cooking.
  - Avoid using a slippery container with a narrow neck.
  - Wait at least 30 seconds after heating before removing the heated liquid.
  - Failing to do so may result in an abrupt overflow of the contents and cause burns.
-  • Do not stand on top of the appliance or place objects (such as laundry, oven cover, lighted candles, lighted cigarettes, dishes, chemicals, metal objects, etc.) on the appliance.
  - Items, such as a cloth, may get caught in the door.
  - This may result in electric shock, fire, problems with the product, or injury.
- Do not operate the appliance with wet hands.
  - This may result in electric shock.
- Do not spray volatile substances such as insecticide onto the surface of the appliance.
  - As well as being harmful to humans, it may also result in electric shock, fire, or problems with the product.

# Important safety instructions

---


- ☐ • Do not put your face or body close to the appliance while cooking or when opening the door just after cooking.
  - Take care that children do not come too close to the appliance.
  - Failing to do so may result in children burning themselves.
- Do not place food or heavy objects over the edge of the oven door.
  - If you open the door, the food or object may fall and this may result in burns or injury.
- Do not abruptly cool the door, the inside of the appliance, or a dish by pouring water over it during or just after cooking.
  - This may result in damage to the appliance. The steam or water spray may result in burns or injury.
- Do not operate while empty except for self-cleaning.
- Do not defrost frozen beverages in narrow-necked bottles. The bottles can break.
- Do not scratch the glass of the oven door with a sharp object.
  - This may result in the glass being damaged or broken.
- Do not store anything directly on top of the appliance when it is in operation.
- Do not use sealed containers. Remove seals and lids before cooking. Sealed containers can explode due to the build up of pressure even after the oven has been turned off.
- Take care that food you are cooking in the oven does not come into contact with the heating element.
  - This may result in fire.
- Do not over-heat food.
  - Overheating food may result in fire.

---

## Critical cleaning warnings

---

### CAUTION

-  • Do not clean the appliance by spraying water directly on to it.
  - Do not use benzene, thinner, or alcohol to clean the appliance.
    - This may result in discoloration, deformation, damage, electric shock, or fire.
  - Take care not to hurt yourself when cleaning the appliance (externally or internally).
    - You may hurt yourself on the sharp edges of the appliance.
  - Do not clean the appliance with a steam cleaner.
    - This may result in corrosion.
  - Keep the inside of the oven clean. Food particles or spattered oils stuck to the oven walls or floor can cause paint damage and reduce the efficiency of the oven.

---

## State of california proposition 65 warnings:

---

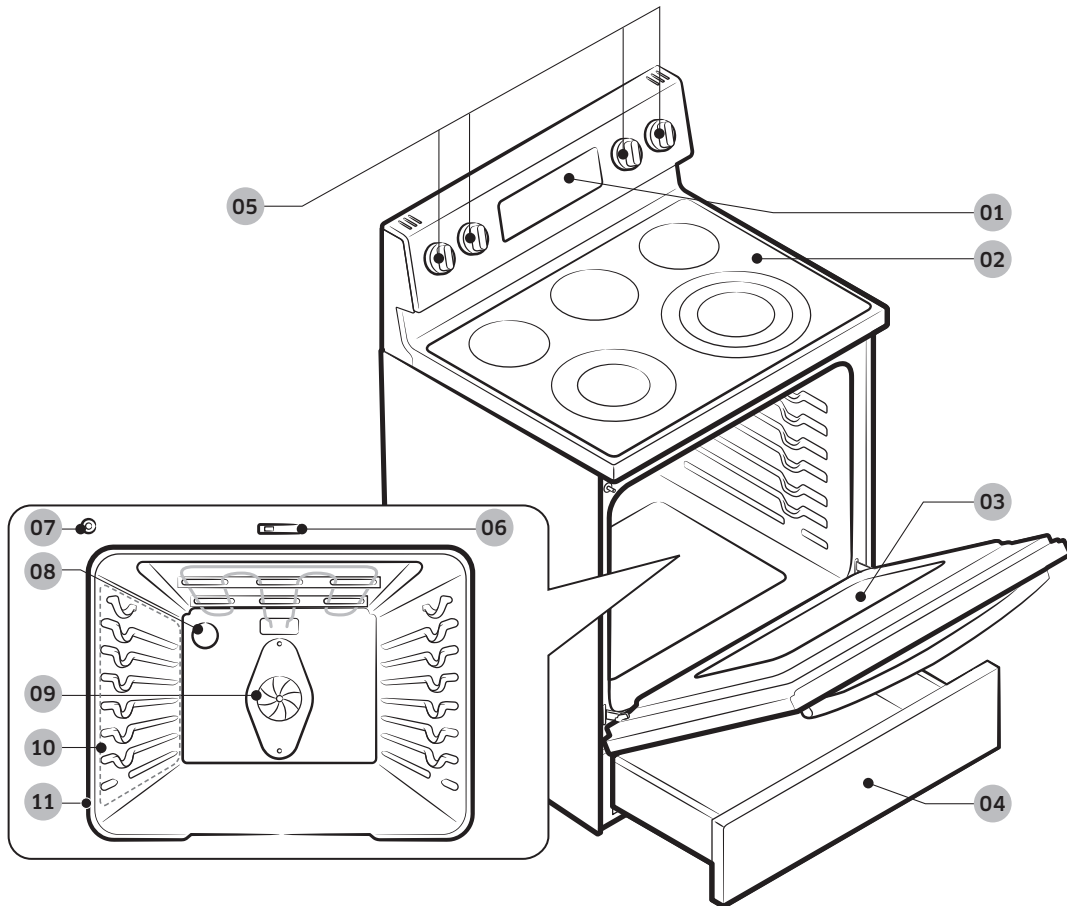
### WARNING

This product contains chemicals known to the State of California to cause cancer and reproductive toxicity.

# Introducing your new range

## Overview

Introducing your new range



**01** Oven control panel  
(See page 33 for more information)

**02** Glass surface

**03** Oven door

**04** Storage drawer

**05** \* Surface control knobs  
(See page 26 for more information)

**06** Self/steam clean latch

**07** Automatic oven light switch

**08** \* Oven light

**09** Convection fan

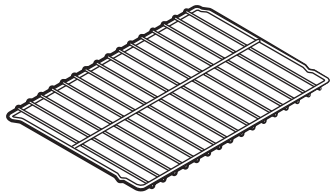
**10** Shelf position

**11** Gasket

---

## What's included with your range

---



---

\* Wire racks (2)

### NOTE

---

If you need an accessory marked with a \*, you can buy it from the Samsung Contact Center (1-800-726-7864).



# Before you begin

---

Clean the oven thoroughly before using it for the first time. Then, remove the accessories, set the oven to bake, and then run the oven at 400 °F for 1 hour. There will be a distinctive odor. This is normal.

Ensure your kitchen is well ventilated during this conditioning period.

## Energy saving tips

---

- During cooking, the oven door should remain closed except when you turn food over.  
Do not open the door frequently during cooking to maintain the oven temperature and to save energy.
- If cooking time is more than 30 minutes, you can switch the oven off 5-10 minutes before the end of the cooking time to save energy. The residual heat will complete the cooking process.
- To save energy and reduce the time needed for re-heating the oven, plan oven use to avoid turning the oven off between cooking one item and the next.
- Whenever possible, cook more than one item at a time.

# Cooktop cooking

---

## About cooktop cooking

---

### CAUTION

#### BEFORE COOKING

- Do not use the glass cooktop surface as a cutting board.
- Do not place or store items that can melt or catch fire on the glass cooktop, even when it is not being used.
- Turn the surface units on only after placing cookware on them.
- Do not store heavy items above the cooktop surface. They could fall and damage it.

### CAUTION

#### DURING COOKING

- Do not place aluminum foil or plastic items such as salt and pepper shakers, spoon holders, or plastic wrappings on the range when it is in use. The hot air from the vent could melt plastics or ignite flammable items.
- Make sure the correct surface unit is turned on.
- Never cook directly on the glass. Always use cookware.
- Always place the pan in the center of the surface unit you are cooking on.
- Never leave surface units unattended while using a high heat setting. Boilovers cause smoking and greasy spillovers that may catch on fire.
- Turn the surface units off before removing cookware.

- Do not use plastic wrap to cover food. Plastic may melt onto the surface and be very difficult to remove.

### CAUTION

#### AFTER COOKING

- Do not touch the surface units until they have cooled down.
- The surface may be still be hot and burns may occur if you touch the glass surface before it has cooled down sufficiently.
- Immediately clean spills on the cooking area to prevent a tough cleaners, chore later.
- If cabinet storage is provided directly above the cooking surface, make sure that the items are infrequently used and can be safely stored in an area subjected to heat. Temperatures may be unsafe for items such as volatile liquids, cleaners or aerosol sprays.

# Cooktop cooking

## About the radiant surface elements

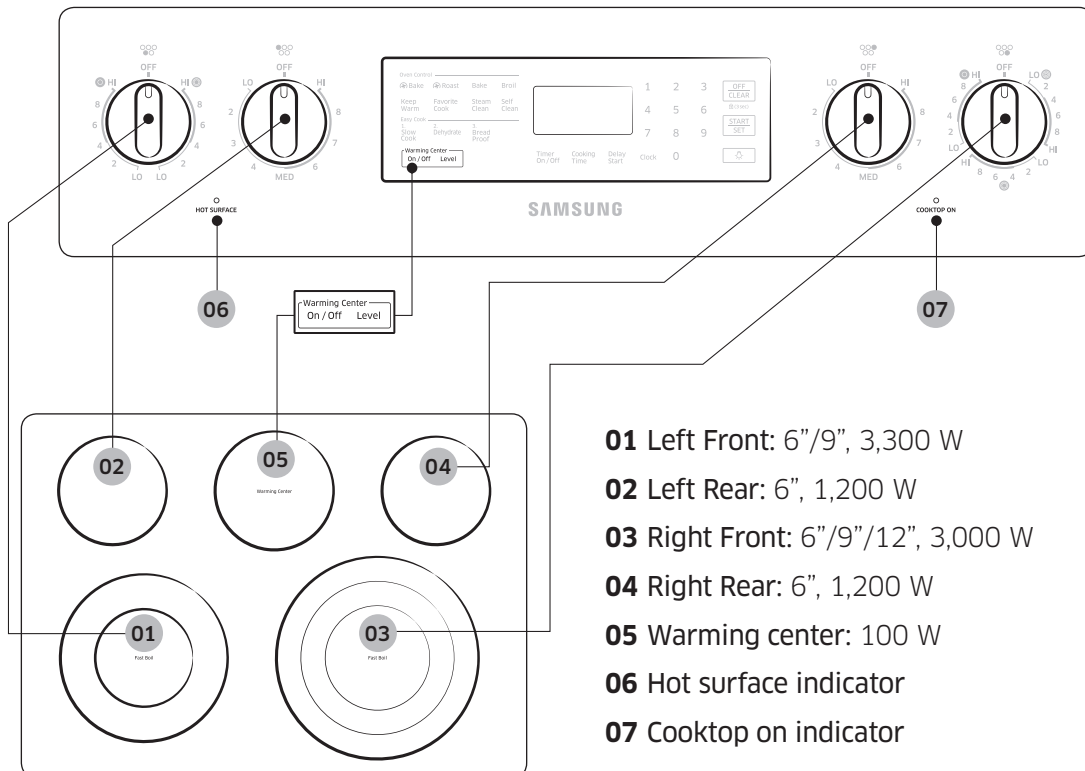
The temperature rises gradually and evenly. As the temperature rises, the radiant element will glow red. To maintain the selected setting, the element will cycle on and off. The heating element retains enough heat to provide a uniform and consistent heat during the off cycle. For efficient cooking, turn off the element several minutes before cooking is complete. This will allow residual heat to complete the cooking process.

## NOTE

Radiant elements have a limiter that allows the element to cycle ON and OFF, even at the HI setting. This helps to prevent damage to the ceramic cooktop. Cycling at the HI setting is normal and can occur if the cookware is too small for the radiant element or if the cookware bottom is not flat.

## Location of the radiant surface elements and controls

The radiant control knobs operate the radiant surface elements on the cooktop as shown below.



---

## Hot surface indicator

- Comes on when the unit is turned on or hot to the touch.
- Stays on even after the unit is turned off.
- Glows until the unit is cooled to approximately 150 °F.

## Cooking areas

- The cooking areas on your range are identified by permanent circles on the glass cooking surface. For the most efficient cooking, fit the pan size to the element size.
- **Pans should not extend more than ½” to 1” beyond the cooking area.**
- When a control is turned on, a glow can be seen through the glass cooking surface. **The element will cycle on and off to maintain the preset heat setting, even at high settings.**
- For more information on selecting proper types of cookware, refer to the section “Using the proper cookware” on page 30.

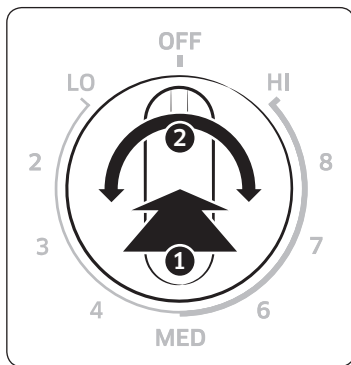
# Cooktop cooking

## How to set the appliance for cooktop cooking

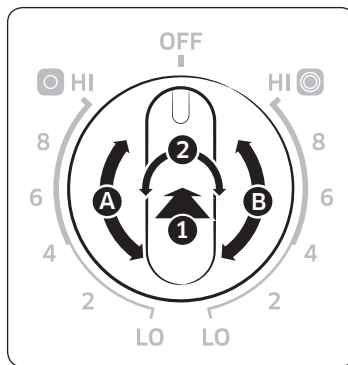
### ⚠ CAUTION

- The surface elements may be hot and burns may occur. Do not touch the surface elements until they have cooled down sufficiently.
- At high or medium-high settings, never leave food unattended. Boilovers cause smoking and greasy spillovers may catch on fire.
- Be sure you turn the control knob to **OFF** when you finish cooking.

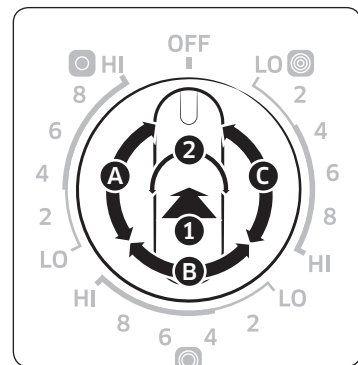
### Surface unit control knob



Single (Left rear, Right rear)



Dual (Left front)



Triple (Right front)

1. Push the knob in.
2. Turn in either direction to the setting you want.
  - Position A : Single burner
  - Position B : Dual burner
  - Position C : Triple burner

### ⚠ CAUTION

The area between the high and off settings is not appropriate for cooking.

### Recommended settings

SETTING	TYPE OF COOKING
HIGH	Starting most foods, bringing water to a boil, pan broiling
MEDIUM HIGH	Continuing a rapid boil, frying, deep fat frying
MEDIUM	Maintaining a slow boil, thickening sauces and gravies, steaming vegetables
MEDIUM LOW	Keeping foods cooking, poaching, stewing
LOW	Keeping food warm, melting, simmering

## Using the warming center

The **warming center**, located in the back center of the glass surface, will keep hot, cooked food at serving temperature.

### NOTE

**The surface warmer will not glow red like the cooking elements.**

### CAUTION

- Do not warm food on the warming center for more than two hours.
- Use only cookware and dishes recommended as safe for oven and cooktop use.
- Always use potholders or oven mitts when removing food from the warming center as cookware and plates will be hot.
- When warming pastries and breads, the cover should have an opening to allow moisture to escape.
- Always start with hot food. Eating uncooked or cold food placed on the warming center could result in illness.

1. Turn the warming center on.  
Press the **Warming Center On/Off** pad.
2. Select the power setting you want.  
Pressing the **Warming Center Level** pad once will set it to the Lo setting. Press the pad twice for the Med setting, 3 times for Hi.
3. Turn the warming center off.  
Press the **Warming Center On/Off** pad.

### NOTE

- Pressing the **CLEAR/OFF** pad does not turn the warming center off.
- For best results, all foods on the warming center should be covered with a lid or aluminum foil. When warming pastries or breads, the cover should be vented to allow moisture to escape.

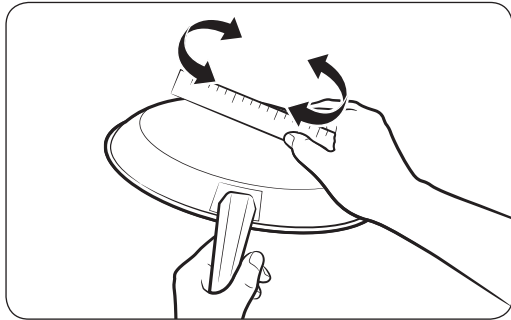
### Recommended settings

LEVEL	TYPE OF FOOD
Lo	Breads/Pastries, Casseroles, Gravies, Eggs
Med	Dinner plate with food, Soups (cream), Vegetables, Sauces, Stews, Meats
Hi	Fried foods, Soups (liquid), Hot beverages

# Cooktop cooking

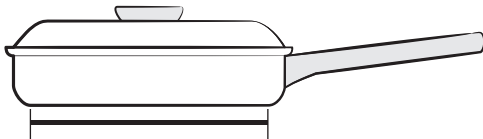
## Using the proper cookware

Using the right cookware can prevent many problems, such as uneven cooking or extended cooking times. Using the proper pans will reduce cooking times and cook food more evenly.



Check for flatness by rotating a ruler across the bottom of the cookware.

### CORRECT

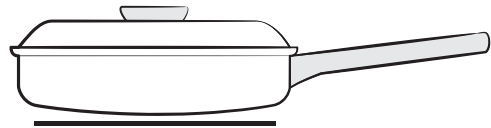


Flat bottom and straight sides.

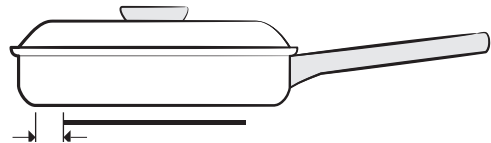
- Tight fitting lids.
- Weight of handle does not tilt pan.
- Pan is well balanced.
- Pan size matches the amount of food to be prepared and the size of the surface element.
- Made of a material that conducts heat well.

Always match pot diameter to element surface diameter.

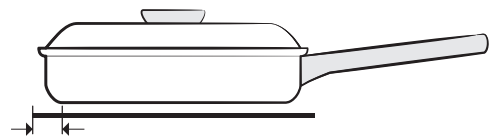
### INCORRECT



Curved and warped pan bottoms.



Pan overhangs element by more than one-half inch.



Pan is smaller than element.



Heavy handle tilts pan.

---

## Choosing the proper cookware

---

What your cookware is made of determines how evenly and quickly heat is transferred from the surface element to the pan bottom.

- **ALUMINUM** - Excellent heat conductor. Some types of food will cause the aluminum to darken. (Anodized aluminum cookware resists staining & pitting.). If aluminum pans are slid across the ceramic cooktop, they may leave metal marks that resemble scratches. Remove these marks as soon as the cooktop cools down.
- **COPPER** - Excellent heat conductor but discolors easily. May leave metal marks on ceramic glass (see above).
- **STAINLESS STEEL** - Slow heat conductor with uneven cooking results. Is durable, easy to clean and resists staining.
- **CAST IRON** - A poor conductor; retains heat very well. Cooks evenly once cooking temperature is reached. Not recommended for use on ceramic cooktops.
- **ENAMELWARE** - Heating characteristics will vary depending on the base material. Porcelain enamel coating must be smooth to avoid scratching ceramic cooktops.
- **GLASS** - Slow heat conductor. Not recommended for ceramic cooktop surfaces because it may scratch the glass.

---

## Protecting the smoothtop

---

### Cleaning

- Clean the cooktop before using it for the first time.
- Clean your cooktop daily or after each use. This will keep your cooktop looking good and can prevent damage.
- If a spillover occurs while you are cooking, immediately clean the spill from the cooking area while it is hot to prevent a tough cleaning chore later. Using extreme care, wipe the spill with a clean dry towel.
- Do not allow spills to remain on the cooking area or the cooktop trim for a long period of time.
- **Do not** use abrasive cleansing powders or scouring pads which will scratch the cooktop.
- **Do not** use chlorine bleach, ammonia, or other cleansers not specifically recommended for use on a glass-ceramic surface.



# Cooktop cooking

---

## Preventing marks and scratches

- Do not use glass cookware. It may scratch the cooktop.
- **Do not** place a trivet or wok ring between the cooktop and the pan. These items can mark or scratch the cooktop.
- Make sure the cooktop and the pan bottom are clean.
- **Do not** slide metal pans across the cooktop.

## Preventing stains

- **Do not** use a soiled dish cloth or sponge to clean the cooktop surface. A film will remain, which may cause stains on the cooking surface after the area is heated.
- Continuously cooking on a soiled surface can result in a permanent stain.

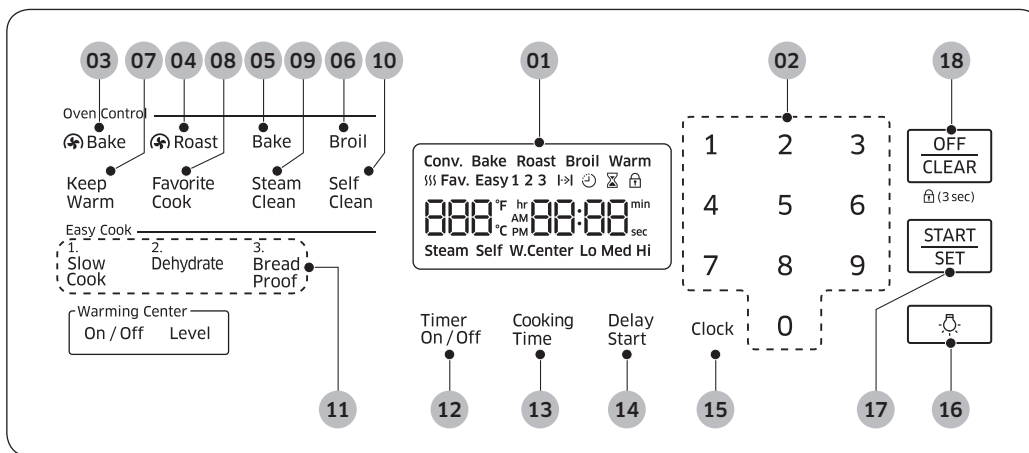
## Preventing other damage

- Do not allow plastic, sugar, or foods with high sugar content to melt onto the hot cooktop. Should this happen, clean immediately.
- Do not let a pan boil dry as this will damage the cooktop and the pan.
- **Do not** use the cooktop as a work surface or cutting board.
- **Do not** cook food directly on the cooktop. Always use the proper cookware.

# Operating the oven

## The oven control panel

**READ THE INSTRUCTIONS CAREFULLY BEFORE USING THE OVEN.** For satisfactory use of your oven, become familiar with the various features and functions of the oven as described below. **Detailed instructions for each feature and function follow later in this user manual.**



**01 DISPLAY:** Shows the time of day, oven temperature, whether the oven is in the bake, broil or self-cleaning mode, and the time set for the timer or automatic oven operations.

- ✨ : When you use the self-cleaning feature, this icon appears in the display.
- 🌀 : When you use the steam cleaning feature, this icon appears in the display.
- 🌊 : When the oven is pre-heating, this icon appears in the display.

**02 NUMBER PAD:** Use to set any function requiring numbers such as the time of day on the clock, the timer, the oven temperature, the start time, and length of operation for timed baking.

**03 CONVECTION BAKE:** Use to select the Convection bake function of the oven.

**04 CONVECTION ROAST:** Use to select the Convection roast function of the oven.

**05 BAKE:** Use to select the bake function of the oven.

**06 BROIL:** Use to select the broil function of the oven.

**07 KEEP WARM:** Use to select the keep warm function of the oven to keep cooked foods warm.

**08 FAVORITE COOK:** Use to save or recall a favorite cooking mode.

**09 STEAM CLEAN:** Use to select the steam cleaning function of the oven.

**10 SELF CLEAN:** Use to select the Self-cleaning function of the oven.

**11 EASY COOK:** Use to recall the easy cook recipe setting of the oven.

# Operating the oven

---

- 12 TIMER ON/OFF:** Use to set or cancel the minute timer. The minute timer does not start or stop cooking.
- 13 COOKING TIME:** Press, and then use the number pad to set the amount of time you want your food to cook. The oven will shut off when the cooking time has run out.
- 14 DELAY START:** Press to set the oven to start and stop automatically at a time you set. (Bake, Conv.bake/Roast, Cooking Time, and self clean only.)
- 15 CLOCK:** Use to set the time of day.
- 16 LAMP:** Press to turn the oven light on or off.
- 17 START/SET:** Press to start any cooking or cleaning function in the oven.
- 18 OFF/CLEAR:** Press to cancel all oven operations except the clock and timer.

## Setting the clock

---

The **clock** must be set to the correct time of day for the automatic oven timing functions to work properly.

- The time of day cannot be changed during a timed cooking, a delay-timed cooking, or a self-cleaning cycle.
- You can choose between a 12-hour or 24-hour display. The default is 12-hour.

### How to set the clock

- 1.** Start the setup.  
Press **Clock**.
- 2.** Enter the current time in hours and minutes on the number pad, eg. 1, 3, 0, for 1:30.
- 3.** Press **Clock** or **START/SET** to save the changes.

### How to change between a 12-hour and 24-hour display

- 1.** Press **Broil** and **4** on the number pad at the same time for 3 seconds.  
The display will show the present mode (eg. 12 hour).
- 2.** Select the display mode you want.  
Press **0** on the number pad to select 12 hour or 24 hour.
- 3.** Press **START/SET** to save changes.

---

## Setting the kitchen timer

---

The kitchen timer serves as an extra timer that will beep when the set time has elapsed. It does not start or stop cooking functions. You can use the kitchen timer with any of the other oven functions.

### How to set the timer

1. Turn the timer on.  
Press **Timer On/Off**.
2. Enter the amount of time you want.  
Enter the amount of time you want using the number pad, eg. 1, 5. The timer can be set for any amount of time from 1 minute to 9 hours and 99 minutes. If you make a mistake, press **Timer On/Off** and enter the amount of time again.
3. Start the timer.  
Press **Timer On/Off**.
4. When the set time has elapsed, the oven will beep and the display will show End until you press **Timer On/Off** pad. You can cancel the timer at any time by pressing **Timer On/Off**.

---

## Timed cooking

---

In timed cooking, the oven turns on immediately and cooks for the length of time you select. At the end of the cooking time, the oven turns off automatically.

- You can use the timed cooking feature only with another cooking operation (bake, convection bake, convection roast, slow cook, dehydrate, or favorite cook).
1. Enter the setup.  
Press the pad for the cooking operation you want, eg. **Bake**. The default temperature is 350 °F.
  2. Enter the temperature you want, eg. 375 °F, using the number pad.
  3. Press **Cooking Time**.
  4. Enter the cooking time you want, eg. 45 min, using the number pad.  
You can set the cooking time for any amount of time from 1 minute to 9 hours and 99 minutes.
  5. Press **START/SET** to begin cooking.  
The temperature display will start to change once the oven temperature reaches 175 °F.  
The oven will continue to cook until the set amount of time has elapsed, then turn off automatically unless you set the keep warm feature. (Refer to the section on the keep warm feature on page 45.)

# Operating the oven

6. You can cancel a cook time at any time by setting cook time 0 min. (Press **Cooking Time** -> enter **0** -> press **START/SET**)

- ★ When the timed cooking is done, the range will beep 10 times.

## ⚠ CAUTION

Use caution with the **timed cooking** or **delay start** features. Use these features to cook cured or frozen meats and most fruits and vegetables. Foods that can easily spoil, such as milk, eggs, fish, meat, or poultry, should be chilled in the refrigerator first. Even when chilled, they should not stand in the oven for more than 1 hour before cooking begins, and should be removed promptly when cooking is completed. Eating spoiled food can result in sickness from food poisoning.

## Delay start

In a delay timed cooking, the oven's timer turns the oven on and off at times you select in advance.

- You can use the delay start feature only with another cooking operation (bake, convection bake, convection roast, slow cook, dehydrate, or favorite cook).
- You can set the oven for a delay start before setting other cooking operations.
- The clock must be set to the current time.

### How to set the oven for delay start


1. Position the oven rack(s) and place the food in the oven.
2. Enter the setup.  
Press the pad for the cooking operation you want, eg. **Bake**. The default temperature is 350 °F.

3. Use the number pad to enter the temperature you want, eg. 375 °F.
4. Press **Cooking Time**.
5. Enter the cooking time you want, eg. 45 min, using the number pad.  
You can set the cooking time for any amount of time from 1 minute to 9 hours and 99 minutes.
6. Press **Delay Start**.
7. Enter the time you want the oven to turn on, eg. 4:30, using the number pad.
8. Press **START/SET**.  
At the set time, a short beep will sound. The oven will begin to bake.

---

## Turning the oven light on and off










---

- The oven light turns on automatically when the door is opened.
- The oven light turns off automatically when the door is closed.
- You can turn the oven light on and off manually by pressing the  pad.

## Minimum and maximum settings

---

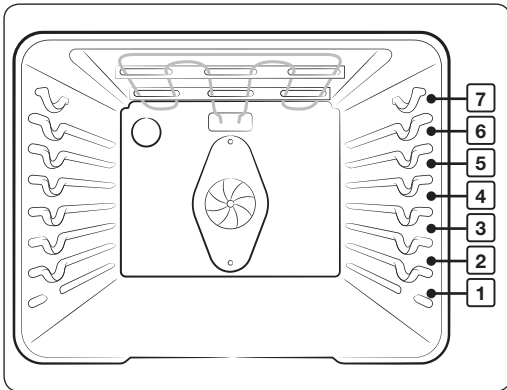
All of the features listed in the table below have minimum and maximum time or temperature settings. A beep will sound each time a pad on the control panel is pressed and the entry is accepted. An error tone will sound in the form of a long beep if the entered temperature or time is below the minimum or above the maximum setting for the feature.

FEATURE	MINIMUM	MAXIMUM
 Bake	175 °F (80 °C)	550 °F (285 °C)
 Broil	LO	HI
 Convection Bake	175 °F (80 °C)	550 °F (285 °C)
 Convection Roast	175 °F (80 °C)	550 °F (285 °C)
 Warming Center	-	3 Hr.
 Keep Warm	-	3 Hr.
 Proof	-	12 Hr.
 Self Clean	2 Hr.	5 Hr.
 Steam Clean	20 Min.	20 Min.

# Operating the oven

## Using the oven racks

### Oven rack positions

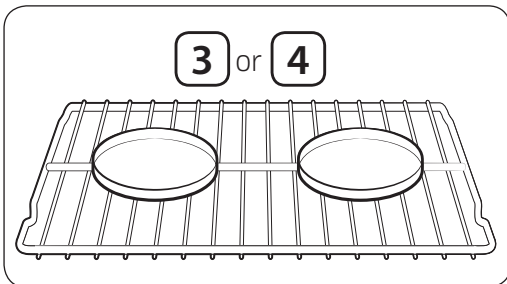


Recommended rack position for cooking

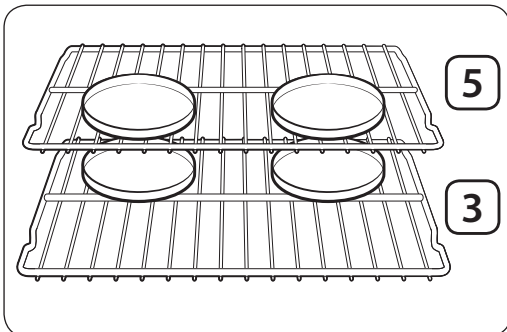
Type of food	Rack Position
Broiling hamburgers	<b>7</b>
Broiling meats or Small cuts of poultry, Fish	<b>5-7</b>
Bundt caked, Pound cakes, Frozen pies, Casseroles	<b>4 or 3</b>
Angel food cakes, Small roasts	<b>2</b>
Turkey, Large roasts, Hams, Fresh pizza	<b>1</b>

• This table is for reference only.

### Rack and Pan placement



Single Oven Rack



Multiple Oven Rack

Centering the baking pans in the oven as much as possible will produce better results. If baking with more than one pan, place the pans so each has at least 1" to 1½" of air space around it.

When baking on a single oven rack, place the oven rack in **position 3 or 4**. See the figure on the left.

When baking cakes and cookies on multiple racks, place the oven racks in **positions 3 and 5**. See the figure on the left.

### Using Multiple Oven Racks

Type of Baking	Rack Positions
Cakes and Cookies	3 and 5

## Before using the racks

The oven has two racks.

Each rack has stops that need to be placed correctly on the supports. These stops will keep the rack from coming completely out.

### REMOVING THE RACKS

1. Pull the rack straight out until it stops.
2. Lift up the front of the rack, and then pull it out.

### REPLACING THE RACKS

1. Place the end of the rack on the support.
2. Tilt the front end up and push the rack in.

#### CAUTION

- Do not cover a rack with aluminum foil or place aluminum foil on the oven bottom. This will hamper heat circulation, resulting in poor baking, and may damage the oven bottom.
- Arrange the oven racks only when the oven is cool.


## Baking

The oven can be programmed to bake at any temperature from 175 °F to 550 °F.

Baking temperature and time will vary depending on the ingredients and the size and shape of the baking pan used. Dark or nonstick coatings may cook faster with more browning.

### How to set the temperature

1. Start the set up.  
Press **Bake**. The default temperature is 350 °F.
2. Enter the temperature you want on the number pad, eg. 3, 7, 5.
3. Start the bake function.  
Press **START/SET**. The temperature display will start to change once the oven temperature reaches 175 °F.
4. If you want to cancel baking or if you have finished, press **OFF/CLEAR**.

-  Place food in the oven after preheating if the recipe calls for it. Preheating is very important for good results when baking cakes, cookies, pastry, and breads. After the oven has reached the desired temperature, the range will beep 6 times.

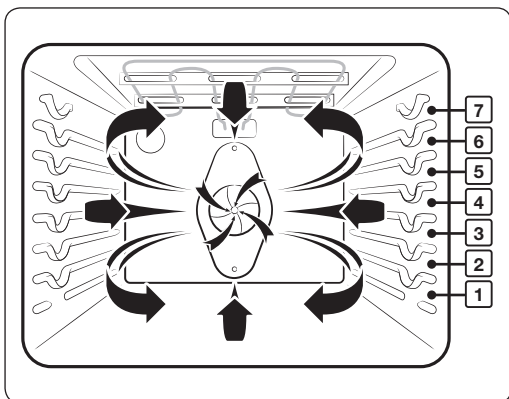
### How to adjust the temperature while cooking

1. Start the setup.  
Press **Bake**. The display will show the present temperature, eg. 375 °F.
2. Enter the temperature you want, eg. 425 °F, using the number pad.
3. Complete the entry by pressing **START/SET**.



# Operating the oven

## Convection baking



By using the convection bake feature, you will be able to cook faster. You can program the oven for convection baking at any temperature between 175 °F and 550 °F. Convection baking uses a fan to circulate the oven's heat evenly and continuously within the oven. This improved heat distribution allows for even cooking and excellent results using multiple racks at the same time. Foods cooked on a single oven rack will generally cook faster and more evenly with convection baking. Multiple oven rack cooking may slightly increase cook times for some foods, but the overall result is time saved. Breads and pastries brown more evenly.

### Tips for convection baking

The amount of time you save will vary depending on the amount and type of food you are cooking. When baking cookies or biscuits, you should use pans with no sides or very low sides to allow the heated air to circulate around the food. Using a pan with a dark finish will allow faster cooking times.

When using convection baking with a single rack, place the oven rack in **position 3** or **4**. If cooking on multiple racks, place the oven racks in **position 3** and **5**.

When baking a cake, using the bake mode will produce better results.

## How to set the oven for convection baking

1. Start the convection baking mode.  
Press **Bake**. The default temperature is 350 °F.
2. Enter the temperature you want, eg. 400 °F, using the number pad.
3. Press **START/SET** to begin convection baking.  
Conv. Bake and the adjusted oven temperature, eg. 400 °F, will appear in the display for 2 seconds.  
The temperature display will start to change once the oven temperature reaches 175 °F.  
The range will beep 6 times when the oven reaches the adjusted oven temperature.
4. To turn off or cancel convection baking, press **OFF/CLEAR**.

- ★ The convection oven fan shuts off when the oven door is opened.  
DO NOT leave the door open for long periods of time while using convection cooking or you may shorten the life of the convection heating element.

## Convection roasting

Convection roasting is good for cooking large tender cuts of meat, uncovered.

Heat comes from the top heating element. The convection fan circulates the heated air evenly over and around the food. Meat and poultry are browned on all sides as if they were cooked on a rotisserie. The heated air seals in juices quickly for a moist and tender product while, at the same time, creating a rich golden brown exterior.

### How to set the oven for convection roasting

1. Start the convection roasting mode.  
Press **Roast**. The default temperature is 350 °F.
2. Enter the temperature you want, eg. 400 °F, using the number pad.
3. Press **START/SET** to begin convection roasting.  
Conv. Roast and the adjusted oven temperature, eg. 400 °F, will appear in the display for 2 seconds. The temperature display will start to change once the oven temperature reaches 175 °F. The range will beep 6 times when the oven reaches the adjusted oven temperature.
4. To turn off or cancel convection roasting, Press **OFF/CLEAR**.

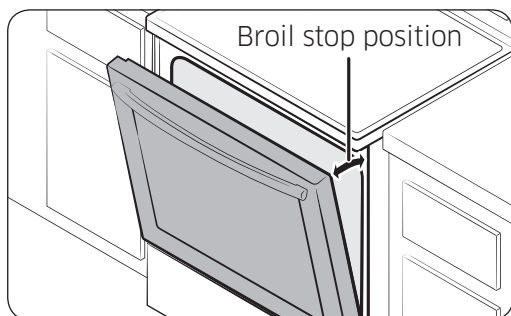
- ★ The convection oven fan shuts off when the oven door is opened.  
DO NOT leave the door open for long periods of time while using convection cooking or you may shorten the life of the convection heating element.

# Operating the oven

## Broiling

Broil mode is best for meats, fish, and poultry up to 1" thick. Broiling is a method of cooking tender cuts of meat by direct heat under the broil element of the oven. The high heat cooks quickly and gives a rich, brown outer appearance.

### Broil stop position



Leave the door open at the broil stop position. The door will stay open by itself, yet the proper temperature is maintained in the oven.

#### CAUTION

Should an oven fire occur, close the oven door and turn the oven off. If the fire continues, throw baking soda on the fire or use a foam-type fire extinguisher. Do not put water or flour on the fire. Flour can explode and water can cause a grease fire to spread and cause personal injury.

### How to set the oven for broiling

1. Select the broil setting you want.  
Press **Broil** once for Hi or twice for Lo.  
Use Lo to cook foods such as poultry or thick cuts of meat thoroughly without over-browning them.
2. Start the broiling function.  
Press **START/SET**.  
Broil one side until the food is browned.  
Turn over and broil the other side.
3. Press **OFF/CLEAR** once you have finished cooking or if you want to cancel broiling.

## Broiling Recommendation Guide

The size, weight, thickness, starting temperature, and your doneness preference will affect broiling times.

This guide is based on meats at refrigerator temperature.

Always use a broiler pan and its grid when broiling.

Always preheat the oven for 5 minutes before broiling.

Food	Doneness	Size	Thickness	Broil setting	Rack position	Cooking time (Minutes)	
						1st side	2nd side
Hamburgers	Medium	9 patties	1"	HI	7	3:40	2:40
	Medium	9 patties	¾"	HI	7	3:20	2:20
Toast	-	9 slices	-	HI	7	0:32	0:30
	-	9 slices	-	HI	6	1:00	0:45
Beef steaks	Rare	-	1"	HI	7	3:00-3:30	2:00-2:30
	Medium	-	1"	HI	6	4:30-5:00	3:30-4:00
	Well done	-	1"	HI	5	8:00-9:00	6:00-7:00
	Rare	-	1½"	HI	7	3:30-4:00	2:30-3:00
	Medium	-	1½"	HI	6	5:30-6:00	4:30-5:00
	Well done	-	1½"	HI	5	12:00-14:00	10:00-12:00
Chicken pieces	Well done	4.5 lbs.	¾"-1"	LO	4	18:00-20:00	16:00-18:00
	Well done	2-2½ lbs.	¾"-1"	LO	4	15:00-18:00	13:00-16:00
Pork chops	Well done	1 lb.	½"	HI	5	8:00-8:30	6:30-7:00
Lamb chops	Medium	10 oz.	1"	LO	4	5:00-6:00	4:00-5:00
	Well done	1 lb.	1½"	LO	4	7:00-8:00	6:00-7:00
Fish fillets	Well done	-	¼-½"	LO	5	5:00-7:00	4:00-5:00
Ham slices (precooked)	-	-	½"	HI	4	4:00-5:00	3:00-4:00

# Operating the oven

## Using the easy cook feature

### Slow Cook

The Slow Cook feature cooks food more slowly at lower oven temperatures. The extended cooking times allow better distribution of flavors in many recipes. This feature is ideal for roasting beef, pork & poultry. Slow cooking meats may cause the exterior of meats to become dark but not burnt. This is normal.

1. Press **Slow Cook** once for Hi or twice for Lo.
2. Press **START/SET**.

#### NOTE

Use only 1 rack and place the rack in position 1 or 2 for the best results. Preheating the oven is not necessary.

### Dehydrate

Dehydrate dries food or removes moisture from food via heat circulation. After drying the food, keep it in a cool and dry place. For fruit, adding lemon (or pineapple) juice or sprinkling sugar on the fruit will help fruit retain sweetness.

1. Press **Dehydrate**. The default temperature is 150 °F.
2. Enter the temperature you want on number pad. (100 °F - 175 °F)
3. Press **START/SET**.

Category	Rack position	Temperature (°F)
Vegetables of Fruits	3 or 4	100-150
Meat	3 or 4	145-175

### Bread Proof

The Bread Proof function automatically provides the optimum temperature for the bread proof process, and therefore does not have a temperature adjustment.

If you press **Bread Proof** when the oven temperature is above 100 °F, Hot will appear in the display. Because these functions produce the best results when started while the oven is cool, we recommend that you wait until the oven has cooled down and Hot disappears from the display.

1. Press **Bread Proof**.
2. Press **START/SET**.
3. Press **OFF/CLEAR** at any time to turn off the Bread Proof feature.

#### NOTE

Use rack position 3 for bread proofing.

#### NOTE

- Drying time depends on the moisture content of the food, the size of the food, and the atmospheric humidity.
- Preheating the oven is not necessary.

---

## Using the favorite cook feature

The favorite cook feature lets you record up to 3 different recipe settings. You can use the favorite cook feature for baking, convection baking, or convection roasting. It will not work with any other function, including the delay start feature.

### How to record a recipe setting

1. Press the pad for the cooking operation you want to store, eg. **Bake**. The default temperature is 350 °F.
2. Use the number pad to enter the temperature you want, eg. 375 °F.
3. Press **Cooking Time**.
4. Enter the cooking time you want, eg. 45 min, using the number pad.
5. You can store a recipe setting in one of three favorite cook position. Press **Favorite Cook** the number of times that corresponds to the position in which you want to store the setting.  
eg. for **Favorite Cook** position 2, press **Favorite Cook** twice.  
Recipe settings can be stored at position 1, 2, or 3.
6. Press **START/SET**.

### How to recall a setting

1. Press **Favorite Cook** the number of times that corresponds to the position in which the recipe setting is stored, eg. for Custom Cook position 2, Press **Favorite Cook** twice.
2. Start the stored cooking operation.  
Press **START/SET**.

---

## Using the keep warm feature

The keep warm feature will keep cooked food warm for serving up to 3 hours after cooking has finished.

After 3 hours, the feature will shut the oven off automatically. The feature may be used without any other cooking operations or may be set to activate after a timed or delay timed cooking operation.

You should not use this feature to reheat cold foods.

### How to use the keep warm feature

1. Press **Keep Warm**.
2. Press **START/SET**.
3. Press **OFF/CLEAR** at any time to turn the feature off.

### How to set the oven to activate the keep warm mode after a timed cooking

1. Set up the oven for **Timed cooking**.  
(Refer to the section on the time cooking feature on pages 35-36.)
2. Press **Keep Warm** before pressing **START/SET** to begin cooking.
3. Press **OFF/CLEAR** at any time to turn the feature off.

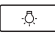
# Operating the oven

## Using the sabbath feature

(For use on the Jewish Sabbath & Holidays)



For further assistance, guidelines for proper usage, and a complete list of models with the Sabbath feature, please visit the web at <http://www.star-k.org>.

You can use the Sabbath feature with baking only. The oven temperature may be set higher or lower after setting the Sabbath feature. (The oven temperature adjustment feature should be used only during Jewish holidays.) The display, however, will not change and tones will not sound when a change occurs. Once the oven is properly set for baking with the Sabbath feature active, the oven will remain continuously on until the Sabbath feature is cancelled. This will override the factory preset 12 hour energy saving feature. If the oven light is needed during the Sabbath, press  before activating the Sabbath feature. Once the oven light is turned on and the Sabbath feature is active, the oven light will remain on until the Sabbath feature is turned off. If the oven light needs to be off, be sure to turn the oven light off before activating the Sabbath feature.

How to use the Sabbath feature

1. Press **Bake**.  
The default temperature is 350 °F.
2. Enter the temperature you want, eg. 375 °F, by using the number pad.
3. Press **START/SET**.  
The temperature display will start to change once the oven temperature reaches 175 °F.
4. Press **Bake** and **1** at the same time for 3 seconds.  
The display will show **SAb**.  
Once **SAb** appears in the display, the oven will not beep or display any further changes.  
You may change the oven temperature once baking has started. Remember that the oven will not beep or display any further changes once the Sabbath feature is engaged.
5. You can turn the oven off at any time by pressing **OFF/CLEAR**. This will turn only the oven off. If you want to deactivate the Sabbath feature, hold down **Bake** and **1** at the same time for 3 seconds. **Sab** will disappear from the display.

- 
- ★ Do not attempt to activate any other program feature except BAKE while the Sabbath feature is active. ONLY the following key pads will function correctly with the Sabbath feature on: **NUMBER, BAKE, START/SET and OFF/CLEAR. ALL OTHER KEYPADS** should not be used once the Sabbath feature is activated.
  - ✎ You can change the oven temperature, but the display will not change and tones will not sound when a change occurs. (The oven temperature adjustment feature should be used only on Jewish holidays.) After changing the temperature while the unit is in Sabbath mode there is a 15 seconds delay before the unit will recognize the change.
  - ✎ You can set the Cook time function before activating the Sabbath feature.
  - ✎ Should you experience a power failure or interruption, the oven will shut off. When power is returned, the oven will not turn back on automatically. SAb will be displayed in the oven control display, but the oven will not operate. Food may be safely removed from the oven while it is still in the Sabbath mode, however the oven cannot be turned back on until after the Sabbath/Holidays. After the Sabbath observance, turn OFF the Sabbath mode. Press and hold both **BAKE** and **1** for at least 3 seconds simultaneously to turn the Sabbath mode off. The oven may then be used with all normal functions.
  - ★ Do not open the oven door or change the oven temperature for about 30 minutes after you have started Sabbath mode to allow the oven to reach the set temperature. Note that, for best performance, the oven fan operates only when the oven temperature is rising.
  - ✎ Do not use the cooktop when the oven is in the Sabbath MODE.



# Operating the oven

## Extra features

### Thermostat adjustment

The temperature in the oven has been preset at the factory. When first using the oven, be sure to follow recipe times and temperatures. If you think the oven is too hot or too cool, the temperature in the oven can be adjusted. Before adjusting, test a recipe by using a temperature setting that is higher or lower than the recommended temperature. The baking results should help you to decide how much of an adjustment is needed.

The oven temperature can be adjusted  $\pm 35$  °F ( $\pm 19$ °C).

#### How to adjust the oven temperature

1. Press **Broil** and **1** at the same time for 3 seconds.  
The display will show **AdJ 0**.
2. Enter the adjustment you want, eg. 20 °F, using the number pad.  
You can adjust the temperature so that it is lower than the factory setting by pressing **Broil**.
3. Press **START/SET**.

#### NOTE

This adjustment will not affect the broiling or the self-cleaning temperatures. The adjustment will be retained in memory after a power failure.

### Fahrenheit or Celsius temperature selection

The oven control can be programmed to display temperatures in Fahrenheit or Centigrade. The oven has been preset at the factory to display in Fahrenheit.

#### How to change the display from Fahrenheit to Centigrade or from Centigrade to Fahrenheit

1. Press **Broil** and **2** at the same time for 3 seconds.  
The display shows **F** (Fahrenheit) or **C** (Centigrade).  
The default is F.
2. Press **0** to select F or C.  
Pressing **0** changes the display between F and C.
3. Press **START/SET**.

### Convection auto conversion feature

When you use the auto conversion feature, the convection auto conversion feature will automatically convert entered regular baking temperatures to convection baking temperatures.

If this feature is activated, the display will show the actual converted (reduced) temperature. For example, if you enter a regular recipe temperature of 350 °F and press **START/SET**, the display will show the converted temperature of 325 °F.

### How to disable or enable the auto conversion feature

1. Press **Broil** and **3** at the same time for 3 seconds.  
The display will show **Con On** (enabled) or **Con OFF** (disabled).  
The default setting is Con OFF.
2. Press **0** to select Con On or Con OFF.  
Pressing **0** changes the mode between Con On and Con OFF.
3. Press **START/SET**.

### 12 hour energy saving

With this feature, should you forget and leave the oven on, the control will automatically turn off the oven after 12 hours during baking functions or after 3 hours during a broil function.

### How to turn 12 hour energy saving feature on or off

1. Press **Broil** and **5** at the same time for 3 seconds.  
The display will show **12 Hr** (12 hour shut-off) or **-- Hr** (No shut-off). The default is 12 Hr.
2. Press **0** to select **--12 Hr** (Shut off Off) or **12 Hr** (Shut off On).  
Pressing **0** changes the mode between 12 Hr and -- Hr.
3. Press **START/SET**.

### Sound on/off

By using this feature, you can set the oven controls to operate silently.

### How to turn the sound on or off

1. Press **Broil** and **6** at the same time for 3 seconds.  
The display will show **Snd On** (sound on) or **Snd OFF** (sound off).  
The default setting is Snd On.
2. Press **0** to select Snd OFF or Snd On.  
Pressing **0** changes the mode between Snd On and Snd OFF.
3. Press **START/SET**.

### Demo mode

This option is for use by retail establishments for display purposes only. (The heating element does not operate.)

### How to enable or disable the demo mode

1. Press **Broil** and **7**.
2. Pressing **0** changes the mode between On and OFF.
3. Press **START/SET**.

# Operating the oven

---

## Control lockout

This feature lets you lock the buttons on the touch pad so they cannot be activated accidentally.

### How to activate the control lockout feature

1. Press **OFF/CLEAR** for 3 seconds.  
Loc and the Loc icon appear in the display, as well as the current time.  
All functions must be cancelled before the control lockout is activated.  
This function is available when the oven temperature is under 400°F.

### How to unlock the controls

1. Press **OFF/CLEAR** for 3 seconds.  
**Loc** and the **lock icon** will disappear from the display.

# Maintaining your appliance

---

## Self-cleaning

---

This self-cleaning oven uses high temperatures (well above cooking temperatures) to burn off leftover grease and residue completely or reduce them to a finely powdered ash that you can wipe away with a damp cloth.

### CAUTION

- During the self-cleaning cycle, the outside of the range will become very hot to the touch. **Do not** leave small children unattended near the appliance.
  - Some birds are extremely sensitive to the fumes given off during the self-cleaning cycle of any range. Move birds to another well-ventilated room.
  - **Do not** line the oven walls, racks, bottom, or any other part of the range with aluminum foil. Doing so will result in poor heat distribution, poor baking results, and cause permanent damage to the oven interior. Aluminum foil will melt and adhere to the interior surface of the oven.
- **Do not** force the oven door open. This can damage the automatic door locking system. Use care when opening the oven door after the self-cleaning cycle is complete. Stand to the side of the oven when opening the door to allow hot air or steam to escape. The oven may still be **VERY HOT**.

# Maintaining your appliance

## Before a self-cleaning cycle

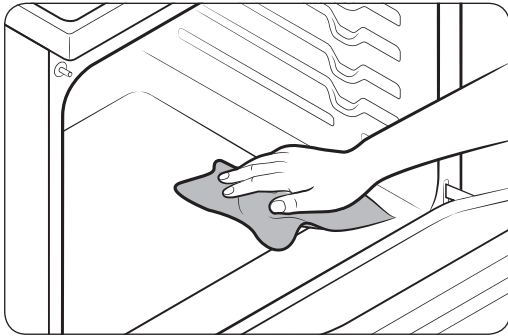


Fig. 1

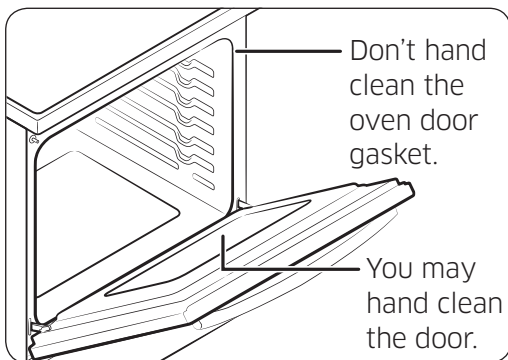


Fig. 2

- We recommend venting your kitchen with an open window or using a ventilation fan or hood during the self-cleaning cycle.
- Remove the wire rack, broil pan, broil pan insert, all cookware, and any aluminum foil from the oven.
- Wipe up debris from the oven bottom. (Fig. 1)
- The silver-colored oven racks can be self-cleaned, but they will darken, lose their luster, and become hard to slide.
- Residue on the front frame of the range and outside the gasket on the door will need to be cleaned by hand. Clean these areas with hot water, soap-filled steel-wool pads, or cleansers such as Soft Scrub. Rinse well with clean water and dry.
- Do not clean the gasket. The fiberglass material of the oven door gasket cannot withstand abrasion. It is essential for the gasket to remain intact. If you notice it becoming worn or frayed, have it replaced. (Fig. 2)
- Make sure the oven light bulb cover is in place and the oven light is off.

### NOTE

Remove oven racks and accessories before starting the self-clean mode.

## How to run a self-cleaning cycle

1. Select the length of time for the self-cleaning operation, eg. 3 hours.  
Press **Self Clean** once for a 3 hour clean time, twice for a 5 hour clean time, or 3 times for a 2 hour clean time.  
The default setting is 3 hours.
2. Start the self-cleaning cycle.  
Press **START/SET**. The motor-driven door lock will engage automatically.
  - ★ You will not be able to start a self-cleaning cycle if the control lockout feature is activated or if the oven's temperature is too hot.
  - The oven door locks automatically. The display will show the clean time remaining. It is not possible to open the oven door until the temperature drops to a safe/cool temperature.
  - The self-cleaning feature will not operate when the warming center is on.
3. When the self-cleaning cycle is done, End will appear in the display and the range will beep 6 times.

## How to delay the start of self-cleaning

1. Press **Self Clean**.  
Select the desired self-clean time by pressing **Self Clean**.
2. Press **Delay Start**.
3. Enter the time you want the clean cycle to start.
4. Press **START/SET**.  
The display will show Delay, Self clean, and the Lock icon. The motor-driven door lock will engage automatically.
5. The Self-Cleaning cycle will turn on automatically at the set time.

## How to turn off the self-cleaning feature

You may find it necessary to stop or interrupt a self-cleaning cycle due to smoke in the oven.

1. Press **OFF/CLEAR**.
2. You will be able to open the oven door once the oven has cooled down for approximately 1 hour.

## After a self-cleaning cycle

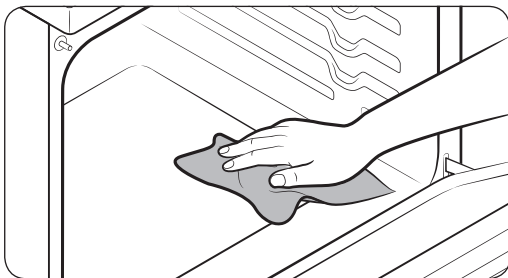
- You may notice some white ash in the oven. Wipe it up with a damp cloth after the oven cools. (If white spots remain, remove them with a soap-filled steel wool pad and rinse thoroughly with a vinegar and water mixture.)
- If the oven is not clean after one cycle, repeat the cycle.
- You cannot set the oven for cooking until the oven is cool enough for the door to unlock.

# Maintaining your appliance

## Steam-cleaning

### How to set the oven for steam-cleaning

For light cleaning, the Steam-cleaning function saves time and energy. For heavier-duty cleaning, use the self-cleaning function.



1. Remove all accessories from the oven.
  2. Pour approximately 10 oz. (300 ml) of water onto the bottom of the empty oven and close the oven door.  
Use normal water only, not distilled water.
  3. Press **Steam Clean**.
  4. Press **START/SET**.  
When the operation is complete, the display will blink and a beep will sound.
  5. Press **OFF/CLEAR**.
  6. Clean the oven's interior.  
There will be a significant amount of water remaining on the bottom of the oven after a steam-cleaning cycle. Remove the residual water with a sponge or soft dry cloth.
- ★ When steam-cleaning, use exactly 10 oz. of water since this produces the best results.

#### NOTE

If you press **Steam Clean** when the oven temperature is above 100°F, **Hot** will appear in the display. Because these functions produce the best results when started while the oven is cool, we recommend that you wait until the oven has cooled down and **Hot** disappears from the display.

## After a steam-cleaning cycle

- Take care when opening the door before a steam-cleaning procedure has ended. The water on the bottom is hot.
- Open the oven door and remove the remaining water with a sponge. Do not leave the residual water in the oven for any length of time. Wipe the oven clean and dry with a soft cloth. Do not forget to wipe under the oven door seal.
- Use a detergent-soaked sponge, a soft brush, or a nylon scrubber to wipe the oven interior. Remove stubborn residue with a nylon scourer. You can remove lime deposits with a cloth soaked in vinegar.

- If the oven remains dirty, you can repeat the procedure once the oven has cooled.
- For heavy residue, such as grease left over from roasting, we recommend that you rub detergent into the residue before activating the steam-cleaning function.
- After cleaning, leave the oven door ajar at a 15 ° angle to allow the interior enamel surface to dry thoroughly.

## Care and cleaning of the oven

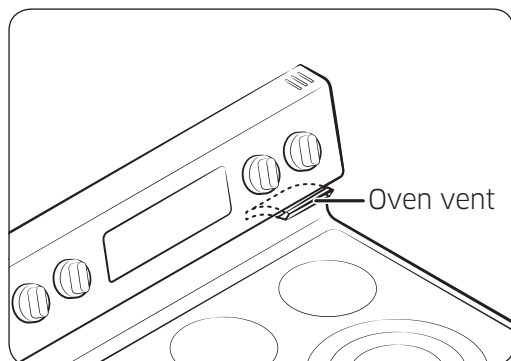
### ⚠ WARNING

- Be sure all controls are OFF and all surfaces are COOL before cleaning any part of the range.

- If your range is removed for cleaning, servicing, or any reason, be sure the Anti-Tip device is re-engaged properly when the range is replaced. If you fail to reengage the Anti-Tip device, the range could tip and cause serious injury.



### Oven vent



- The oven vent is located above the right rear surface unit.
- This area could become hot during oven use.
- It is normal for steam to come out of the vent.
- The vent is important for proper air circulation. Never block this vent.



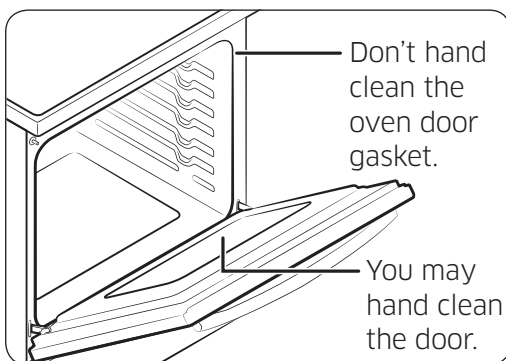
# Maintaining your appliance

## Cleaning painted parts and decorative trim

- For general cleaning, use a cloth with hot and soapy water.
- For more difficult residue and built-up grease, apply a liquid detergent directly onto the area and leave for 30 to 60 minutes. Wipe with a damp cloth and dry. Do not use abrasive cleaners on any of these surfaces. They can scratch.

## Cleaning stainless steel surfaces

1. Shake the bottle of Stainless Steel Appliance Cleaner or Polish well.
2. Place a small amount of stainless steel appliance cleaner or polish on a damp cloth or damp paper towel.
3. Clean a small area, rubbing with the grain of the stainless steel if applicable.
4. Dry and buff with a clean, dry paper towel or soft cloth.
5. Repeat as necessary.



## NOTE

- **Do not use a steel-wool pad. It will scratch the surface.**
- If a mineral oil-based stainless steel appliance cleaner has been used before to clean the appliance, wash the surface with dishwashing liquid and water prior to using the Stainless Steel Appliance Cleaner or Polish.

## Oven racks

- If the racks are left in the oven during a self-cleaning cycle, their color will turn slightly blue and the finish will be dull. After the self-cleaning cycle is complete and the oven has cooled, rub the sides of the racks with wax paper or a cloth containing a small amount of oil. This will help the racks glide more easily in their tracks.

## Oven door

- Use soap & water to thoroughly clean the top, sides, and front of the oven door. Rinse well. You may use a glass cleaner on the outside glass of the oven door. **DO NOT** immerse the door in water. **DO NOT spray or allow water or the glass cleaner to enter the door vents.** **DO NOT** use oven cleaners, cleaning powders, or any harsh abrasive cleaning materials on the outside of the oven door.
- **DO NOT clean the oven door gasket.** The oven door gasket is made of a woven material which is essential for a good seal. Care should be taken not to rub, damage, or remove this gasket.

---

## Care and cleaning of the glass cooktop

---

### Normal daily use cleaning

Use only a ceramic cooktop cleaner. Other creams may not be as effective.

By following these steps, you can maintain and protect the surface of your glass cooktop.

1. Before using the cooktop for the first time, clean it with a ceramic cooktop cleaner. This helps protect the top and makes cleanup easier.
2. Daily use of a ceramic cooktop cleaner will help keep the cooktop looking new.

3. Shake the cleaning cream well. Apply a few drops of cleaner directly to the cooktop.
4. Use a paper towel or a cleaning pad for ceramic cooktops to clean the entire cooktop surface.
5. Use a dry cloth or paper towel to remove all cleaning residue. No need to rinse.

### **⚠ WARNING**

**DAMAGE** to your glass surface may occur if you use scrub pads other than those recommended.

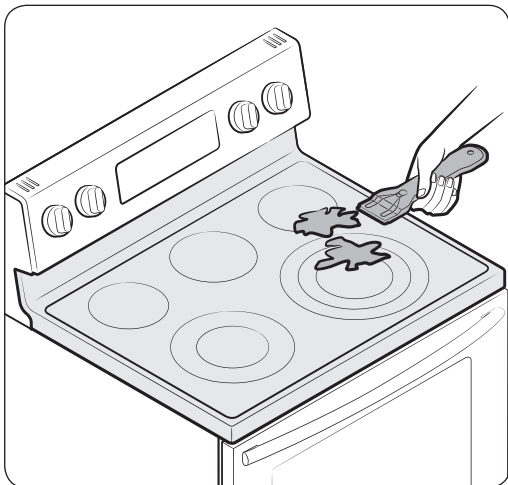
### Removing burned-on residue



1. Allow the cooktop to cool.
2. Spread a few drops of ceramic cooktop cleaner on the entire burned residue area.
3. Using the cleaning pad for ceramic cooktops, rub the residue area, applying pressure as needed.
4. If any residue remains, repeat the steps listed above as needed.
5. For additional protection, after all residue has been removed, polish the entire surface with ceramic cooktop cleaner and a paper towel.

# Maintaining your appliance

## Removing heavy, burned-on residue



1. Allow the cooktop to cool.
2. Use a single-edge razor-blade scraper at approximately a 45 ° angle against the glass surface and scrape the soil. It will be necessary to apply pressure to remove the residue.
3. After scraping with the razor scraper, spread a few drops of ceramic cooktop cleaner on the entire burned residue area. Use the cleaning pad to remove any remaining residue. (Do not scrape the seal.)
4. For additional protection, after all residue has been removed, polish the entire surface with the cooktop cleaner and a paper towel.

## Removing metal marks and scratches

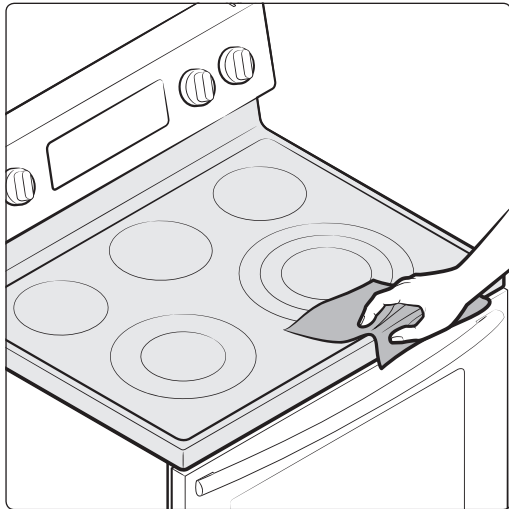
1. Be careful not to slide pots and pans across your cooktop. It will leave marks on the cooktop surface. You can remove these marks by applying ceramic cooktop cleaner with a cleaning pad for ceramic cooktops.
2. If pots with a thin overlay of aluminum or copper are allowed to boil dry, the overlay may leave black discoloration on the cooktop. You should remove this discoloration immediately or it may become permanent.

### **⚠ WARNING**

Carefully check the bottoms of pans for roughness that may scratch the cooktop.

---

## Cleaning the cooktop seal



To clean the seal around the edges of the glass, lay a wet cloth on it for a few minutes, then wipe clean with a nonabrasive cleaner.

### Potential for permanent damage to the glass surface

- Sugary spillovers (such as jellies, fudge, candy, syrups) or melted plastics can cause pitting of the surface of your cooktop. This is not covered under the warranty. You should clean the spill while it is still hot. Take special care when removing hot substances. Refer to the following section.
- When using a scraper, be sure it is new and the razor blade is still sharp. Do not use a dull or nicked blade.

### Cleaning sugary spills and melted plastic

- 1.** Turn off all surface units. Remove hot pans.
- 2.** Wearing an oven mitt, use a single-edge razor-blade scraper to move the spill to a cool area of the cooktop. Remove the spill with paper towels.
- 3.** Any remaining spillover should be left until the surface of the cooktop has cooled.
- 4.** Don't use the surface units again until all of the residue has been completely removed.

#### NOTE

If pitting or indentations in the glass surface have already occurred, the cooktop glass will have to be replaced. In this case, service will be necessary.

# Maintaining your appliance

## Removing and replacing the oven door

### How to remove the door

#### ⚠ CAUTION

- The door is very heavy. Be careful when removing and lifting the door. Do not lift the door by the handle.
- Turn the power OFF before removing the door.

1. Open the door completely.
2. Pull the hinge locks down toward the door frame to the unlocked position.

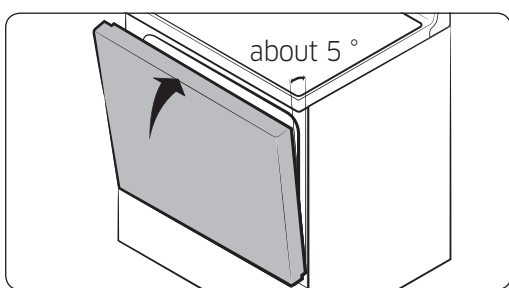
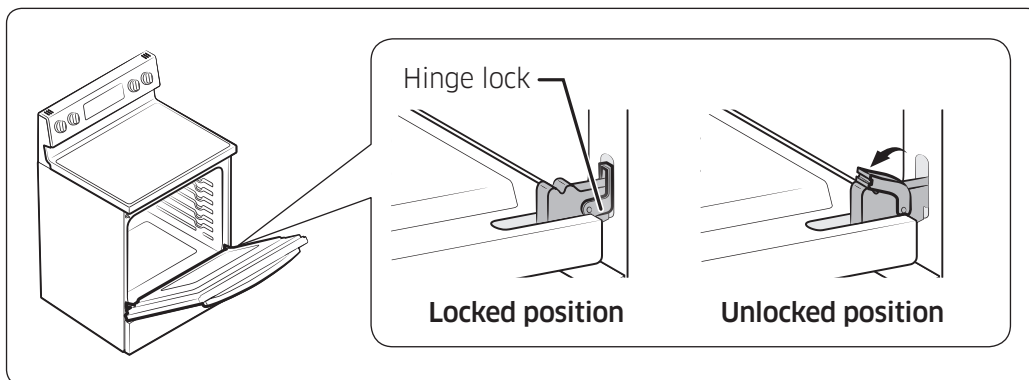


Fig. 1

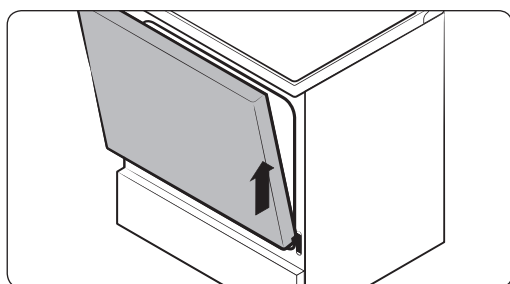


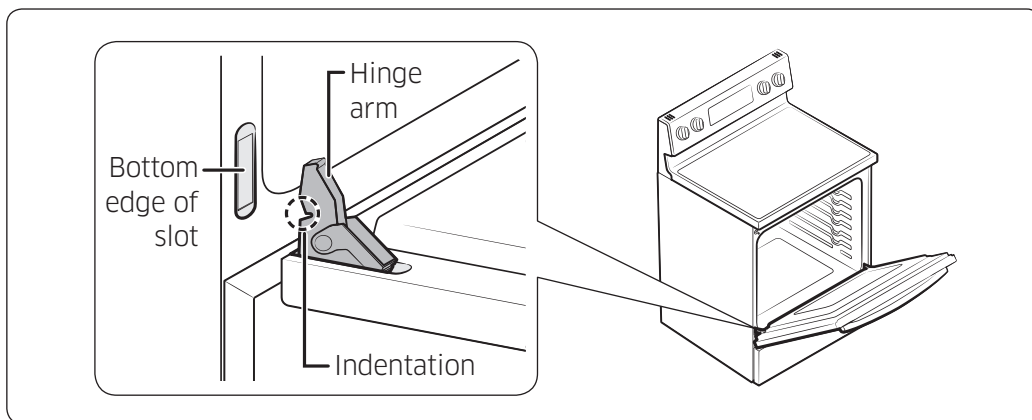
Fig. 2

3. Firmly grasp both sides of the door at the top.
4. Close the door to the door removal position, which is approximately 5 degrees from vertical (Fig. 1).
5. Lift door up and out until the hinge arm is clear of the slot (Fig. 2).

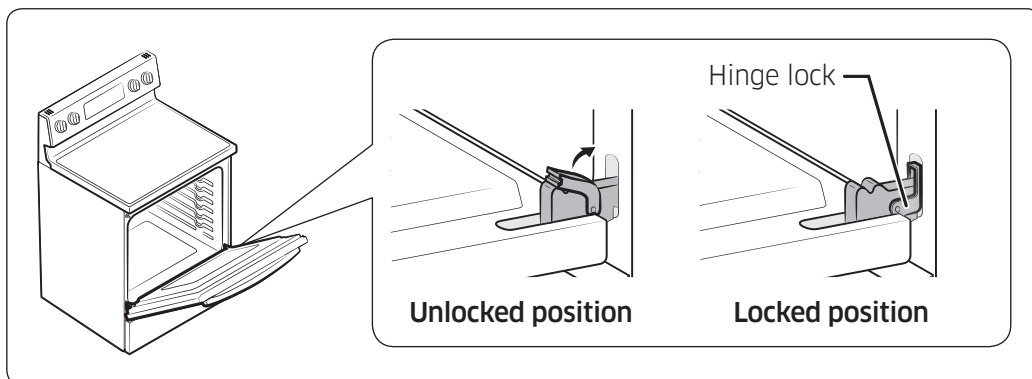
---

## How to replace the door

1. Firmly grasp both sides of the door at the top.
2. With the door at the same angle as the removal position, slide the indentation of the hinge arm into the bottom edge of the hinge slot. The notch in the hinge arm must be fully inserted into the bottom of the slot.



3. Open the door fully. If the door will not open fully, the indentation is not inserted correctly in the bottom edge of the slot.
4. Push the hinge locks up against the front frame of the oven cavity to the locked position.



5. Close the oven door.

# Maintaining your appliance

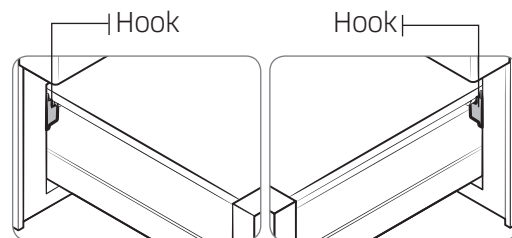
## Removing and replacing the storage drawer

### How to remove the storage drawer


1. Pull the drawer out until it stops.
2. Tilt the front of the drawer and pull out it until it stops.
3. Lift and pull the drawer out.

### How to replace the storage drawer

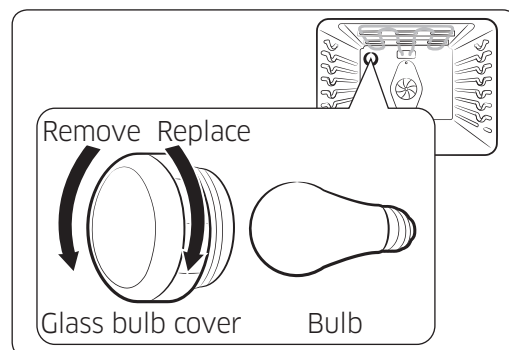
1. Put the left side of the drawer over the left hook and the right side over the right hook.
2. Push the drawer until it stops.
3. Tilt and lift the drawer.
4. Push the drawer in.



## Changing the oven light

The oven light is a standard 40-watt appliance bulb. It will come on when the oven door is open. When the oven door is closed, press the  pad to turn it on or off. It will not work during a self-cleaning cycle.

1. Make sure the oven and the bulb are cool.
2. Unplug the range or disconnect the power.
3. Turn the glass bulb cover in the back of the oven counterclockwise to remove.
4. Turn the bulb counterclockwise to remove it from its socket.
5. Insert a new 40 watt appliance bulb, and then turn it clockwise to tighten. Replace the bulb cover by turning clockwise.
6. Plug in the range or reconnect the power.



### CAUTION

Before changing your oven light bulb, disconnect the electrical power to the range at the main fuse or circuit breaker panel. Make sure the oven and the bulb are cool.

# Troubleshooting

## Troubleshooting

Samsung works hard to ensure that you don't have problems with your new electric range. If you run into unexpected trouble, look first for a solution in the table below. If, after trying the suggested solution, you're still having trouble, call Samsung at 1-800-SAMSUNG (1-800-726-7864).

### Installation

Problem	Possible cause	Solution
The range is not level.	The appliance has been installed improperly.	<ul style="list-style-type: none"> <li>Place the oven rack in the center of the oven. Place a level on the oven rack. Adjust the leveling legs at the base of the range until the oven rack is level.</li> <li>Insure the floor is level and strong and stable enough to adequately support the range.</li> </ul>
	The floor is sagging or sloping.	Contact a carpenter to correct the situation.
	The kitchen cabinets are not properly aligned and make the range appear to be not level.	Insure the cabinets are square and provide sufficient room for installation.
The appliance must be accessed for servicing and cannot be moved easily.	The kitchen cabinets are not square and too close to the appliance.	Contact a builder or installer to make the appliance accessible.
	Carpet is interfering with movement of the range.	Provide sufficient space so the range can be lifted over the carpet.

### CONTROL DISPLAY

Problem	Possible cause	Solution
The Display goes blank.	A fuse in your home may be blown or the circuit breaker tripped.	Replace the fuse or reset the circuit breaker.
The Display flashes.	There was a power failure.	Reset the clock.



# Troubleshooting

## COOKTOP

Problem	Possible cause	Solution
The surface units will not maintain a rolling boil or will not cook fast enough.	You may be using inappropriate cookware.	Use pans which are flat and match the diameter of the surface unit selected.
	In some areas, the power (voltage) may be low.	Cover the pan with a lid until the desired heat is obtained.
The surface units will not turn on.	A fuse in your home may be blown or the circuit breaker tripped.	Replace the fuse or reset the circuit breaker.
	The cooktop controls are set improperly.	Check if the correct control is set for the surface unit you are using.
Areas of discoloration on the cooktop.	Food spillover was not cleaned.	Refer to the section on the care and cleaning of the glass cooktop on pages 57-59.
	The surface is hot and the model features a light-colored cooktop.	This is normal. The surface may appear discolored when it is hot. This is temporary and will disappear as the glass cools.
The surface unit frequently cycles on and off. The surface unit stops glowing when changed to a lower setting.	The element will cycle on and off to maintain the power setting.	This is normal operation, and not a system failure. Use the oven as usual.
Scratches or abrasions on the cooktop surface.	The cooktop is being cleaned improperly.	Scratches are not removable. Tiny scratches will become less visible in time as a result of cleaning. Use ceramic glass top cleaning cream. Do not use chemical or corrosive agents. These agents may damage the surface of the product.
	Cookware with rough bottoms was used on the cooktop or there were coarse particles (eg. salt or sand) present between the cookware and the surface of the cooktop.	To avoid scratches, use the recommended cleaning procedures. Make sure cookware bottoms are clean before use, and use cookware with smooth bottoms.
	Cookware has been slid across the cooktop surface.	

Problem	Possible cause	Solution
Brown streaks or specks.	Boilovers have been cooked onto the surface.	<ul style="list-style-type: none"> <li>• Wait until the surface cools down. Then, use a scraper to remove those impurities. Use the blade scraper to remove soil.</li> <li>• See the section on the care and cleaning of the glass cooktop on pages 57-59.</li> </ul>
Areas of discoloration with metallic sheen.	Mineral deposits from water and food have been left on the surface of the cooktop.	<ul style="list-style-type: none"> <li>• Remove using a ceramic-glass cooktop cleaning cream.</li> <li>• Use cookware with clean, dry bottoms. Clean the cooktop with a ceramic cleaning agent regularly every week.</li> </ul>
“Cracking” or “popping” sound.	This is the sound of the metal heating and cooling during both the cooking and self-cleaning functions.	This is normal operation, and not a system failure. Use the oven as usual.

## OVEN

Problem	Possible cause	Solution
The oven will not turn on.	The range is not completely plugged into the electrical outlet.	Make sure the electrical plug is inserted into a live, properly grounded outlet.
	A fuse in your home may be blown or the circuit breaker tripped.	Replace the fuse or reset the circuit breaker.
	The oven controls have been set improperly.	See the chapter on operating the oven.
	The oven is too hot.	Allow the oven to cool.
	Incomplete service wiring.	Call for service.
	Power outage.	Check to see if the house lights will turn on. If required, call your local electric company for service.
The oven light will not turn on.	The light bulb is loose or defective.	Tighten or replace the bulb.
	The switch operating the light is broken.	Call for service.

(continued)

# Troubleshooting

Problem	Possible cause	Solution
Oven smokes excessively during broiling.	The control has not been set properly.	Refer to the section on setting oven controls.
	The meat has been placed too close to the element.	Reposition the rack to provide proper clearance between the meat and the element. Preheat the broil element for searing.
	The meat has not been properly prepared.	Remove the excess fat from the meat. Cut away fatty edges that may curl, leaving the lean intact.
	Grease has built up on oven surfaces.	Regular cleaning is necessary when broiling frequently.
Food does not bake or roast properly.	The oven controls have not been set correctly.	See the chapter on operating the oven.
	The oven rack has been positioned incorrectly or is not level.	See the section on using the oven racks on pages 38-39.
	Incorrect cookware or cookware of improper size is being used.	
	The oven sensor needs to be adjusted.	See the section on adjusting the thermostat on page 48.
Food does not broil properly.	The serving size may not be appropriate.	Refer to the cooking guide for serving sizes and try again.
	The rack has not been properly positioned.	See the broiling recommendation guide on page 43.
	Cookware not suited for broiling.	Use suitable cookware.
	In some areas, the power (voltage) may be low.	<ul style="list-style-type: none"> <li>• Preheat the broil element for 10 minutes.</li> <li>• See the broiling recommendation guide on page 43.</li> </ul>
The oven temperature is too hot or too cold.	The oven sensor needs to be adjusted.	See the section on adjusting the thermostat on page 48.

Problem	Possible cause	Solution
The oven will not self-clean.	The oven temperature is too high to start a self-clean operation.	Allow the range to cool, and then reset the controls.
	The oven controls have been set incorrectly.	See the section on self-cleaning on page 51.
	A self-cleaning cycle cannot be started if the oven lockout feature has been activated or if a radiant surface element is on.	Deactivate the oven lockout (see page 49). Make sure all surface elements are turned off.
Excessive smoking during a self-cleaning cycle.	There is excessive soiling in the oven.	Press OVEN OFF. Open the windows to rid the room of smoke. Wait until the self-cleaning cycle is cancelled. Wipe up the excessive soil, and then start the self-cleaning cycle again.
The oven door will not open after a self-cleaning cycle.	The oven is too hot.	Allow the oven to cool.
The oven is not clean after a self-cleaning cycle.	The oven controls were not set correctly.	See the section on self-cleaning on page 51.
	The oven was heavily soiled.	Wipe up heavy spillovers before starting the self-cleaning cycle. Heavily soiled ovens may need to be self-cleaned again or for a longer period of time.
Steam is coming out of the vent.	When using the convection feature, it is normal to see steam coming out of the oven vent.	This is normal operation, and not a system failure. Use the oven as usual.
	As the number of racks or amount of food being cooked increases, the amount of visible steam will increase.	
A burning or oily odor is coming from the vent.	This is normal in a new oven and will disappear in time.	<ul style="list-style-type: none"> <li>To speed the process, set a self-cleaning cycle for a minimum of 3 hours.</li> <li>See the section on self-cleaning on page 51.</li> </ul>

(continued)

# Troubleshooting

Problem	Possible cause	Solution
Strong odor.	An odor coming from the insulation around the inside of the oven is normal for the first few times the oven is used.	Operate the oven at the bake setting at 400 °F for 1 hour.
Fan noise.	A convection fan may automatically turn on and off.	This is normal operation, and not a system failure. Use the oven as usual.
Oven racks are difficult to slide.	The shiny, silver-colored racks were cleaned in a self-cleaning cycle.	Apply a small amount of vegetable oil to a paper towel and wipe the edges of the oven racks with the paper towel.

## DRAWER

Problem	Possible cause	Solution
The Drawer does not slide smoothly or drags.	The drawer is out of alignment.	Fully extend the drawer and push it all the way in. See the page 62.
	The drawer is over-loaded or the load is unbalanced.	Reduce weight. Redistribute drawer contents.

## Information codes

### OVEN

Displayed Code	Possible cause	Solution
C-20	The oven sensor is open when the oven is operating.	Press OVEN OFF and restart the oven. If the problem persists, disconnect all power to the range for at least 30 seconds and then reconnect the power. If this does not solve the problem, call for service.
	The oven sensor is short when the oven is operating.	
C-21	This code occurs if the internal temperature rises abnormally high.	
C-d1	This code occurs if the door lock is mispositioned.	
C-d0	This code occurs if the Control key is short for 1 minute.	Press OVEN OFF and restart the oven. If the problem persists, disconnect all power to the range for at least 30 seconds and then reconnect the power. If this does not solve the problem, call for service.

# Warranty (U.S.A)

---

**PLEASE DO NOT DISCARD. THIS PAGE REPLACES THE WARRANTY PAGE IN THE USE & CARE GUIDE**

## **SAMSUNG ELECTRIC RANGE**

### **LIMITED WARRANTY TO ORIGINAL PURCHASER**

This SAMSUNG brand product, as supplied and distributed by SAMSUNG ELECTRONICS AMERICA, INC. (SAMSUNG) and delivered new, in the original carton to the original consumer purchaser, is warranted by SAMSUNG against manufacturing defects in materials and workmanship for a limited warranty period of:

#### **One (1) Year Parts and Labor, One (1) Year Parts Warranty For Glass Cooktop and Radiant Heater**

This limited warranty begins on the original date of purchase, and is valid only on products purchased and used in the United States. To receive warranty service, the purchaser must contact SAMSUNG for problem determination and service procedures. Warranty service can only be performed by a SAMSUNG authorized service center. The original dated bill of sale must be presented upon request as proof of purchase to SAMSUNG or SAMSUNG's authorized service center. Samsung will provide in-home service during the warranty period at no charge subject to availability within the contiguous United States. In home service is not available in all areas. To receive in home service product must be unobstructed and accessible to the service agent. If service is not available Samsung may elect to provide transportation of the product to and from an authorized service center. SAMSUNG will repair or replace this product, at our option and at no charge as stipulated herein, with new or reconditioned parts or products if found to be defective during the limited warranty period specified above. All replaced parts and products become the property of SAMSUNG and must be returned to SAMSUNG. Replacement parts and products assume the remaining original warranty, or ninety (90) days, whichever is longer.

This limited warranty covers manufacturing defects in materials and workmanship encountered in normal, noncommercial use of this product and shall not apply to the following: damage which occurs in shipment; delivery and installation; applications and uses for which this product was not intended; altered product or serial numbers; cosmetic damage or exterior finish; accidents, abuse, neglect, fire, water, lightning or other acts of nature; use of products, equipment, systems, utilities, services, parts, supplies, accessories, applications, installations, repairs, external wiring or connectors not supplied or authorized by SAMSUNG which damage this product or result in service problems; incorrect electrical line voltage, fluctuations and surges; customer adjustments and failure to follow operating instructions, maintenance and environmental instructions that are covered and prescribed in the instruction book; product removal and reinstallation; problems caused by pest infestations, and overheating or overcooking by user. This limited warranty shall not cover cases of incorrect electric current, voltage or supply, light bulbs, house fuses, house wiring,

# Warranty (U.S.A)

---

cost of a service call for instructions, or fixing installation errors. Furthermore, damage to the glass cooktop caused by the use of cleaners other than the recommended cleaners and pads, damage to the glass cook top caused by hardened spills of sugary materials or melted plastic that are not cleaned according to the directions in the use and care guide are not covered. SAMSUNG does not warrant uninterrupted or error-free operation of the product.

EXCEPT AS SET FORTH HEREIN THERE ARE NO WARRANTIES ON THIS PRODUCT EITHER EXPRESS OR IMPLIED AND SAMSUNG DISCLAIMS ALL WARRANTIES INCLUDING, BUT NOT LIMITED TO, ANY IMPLIED WARRANTIES OF MERCHANTABILITY, INFRINGEMENT OR FITNESS FOR A PARTICULAR PURPOSE. NO WARRANTY OR GUARANTY GIVEN BY ANY PERSON, FIRM OR CORPORATION WITH RESPECT TO THIS PRODUCT SHALL BE BINDING ON SAMSUNG. SAMSUNG SHALL NOT BE LIABLE FOR LOSS OF REVENUE OR PROFITS, FAILURE TO REALIZE SAVINGS OR OTHER BENEFITS, OR ANY OTHER SPECIAL, INCIDENTAL OR CONSEQUENTIAL DAMAGES CAUSED BY THE USE, MISUSE OR INABILITY TO USE THIS PRODUCT, REGARDLESS OF THE LEGAL THEORY ON WHICH THE CLAIM IS BASED, AND EVEN IF SAMSUNG HAS BEEN ADVISED OF THE POSSIBILITY OF SUCH DAMAGES. NOR SHALL RECOVERY OF ANY KIND AGAINST SAMSUNG BE GREATER IN AMOUNT THAN THE PURCHASE PRICE OF THE PRODUCT SOLD BY SAMSUNG AND CAUSING THE ALLEGED DAMAGE. WITHOUT LIMITING THE FOREGOING, PURCHASER ASSUMES ALL RISK AND LIABILITY FOR LOSS, DAMAGE OR INJURY TO PURCHASER AND PURCHASER'S PROPERTY AND TO OTHERS AND THEIR PROPERTY ARISING OUT OF THE USE, MISUSE OR INABILITY TO USE THIS PRODUCT. THIS LIMITED WARRANTY SHALL NOT EXTEND TO ANYONE OTHER THAN THE ORIGINAL PURCHASER OF THIS PRODUCT, IS NONTRANSFERABLE AND STATES YOUR EXCLUSIVE REMEDY.

Some provinces or territories may or may not allow limitations on how long an implied warranty lasts, or the exclusion or limitation of incidental or consequential damages, so the above limitations or exclusions may not apply to you. This warranty gives you specific legal rights, and you may also have other rights which vary from state to state. User Replaceable Parts may be sent to the customer for unit repair. If necessary, a Service Engineer can be dispatched to perform service.

To obtain warranty service, please contact SAMSUNG at:

**Samsung Electronics America, Inc.**  
85 Challenger Road, Ridgefield Park, NJ 07660  
1-800-SAMSUNG (726-7864) and [www.samsung.com/us/support](http://www.samsung.com/us/support)

# Warranty (CANADA)

---

**PLEASE DO NOT DISCARD. THIS PAGE REPLACES THE WARRANTY PAGE IN THE USE & CARE GUIDE**

## **SAMSUNG ELECTRIC RANGE**

### **LIMITED WARRANTY TO ORIGINAL PURCHASER**

This SAMSUNG brand product, as supplied and distributed by SAMSUNG ELECTRONICS CANADA, INC. (SAMSUNG) and delivered new, in the original carton to the original consumer purchaser, is warranted by SAMSUNG against manufacturing defects in materials and workmanship for a limited warranty period of:

#### **One (1) Year Parts and Labor, Five (1) Years Parts Warranty For Glass Cooktop and Radiant Heater**

**During this limited additional four-year warranty, you will responsible for any labor or in-home service.**

This limited warranty begins on the original date of purchase, and is valid only on products purchased and used in the CANADA. To receive warranty service, the purchaser must contact SAMSUNG for problem determination and service procedures. Warranty service can only be performed by a SAMSUNG authorized service center. The original dated bill of sale must be presented upon request as proof of purchase to SAMSUNG or SAMSUNG's authorized service center. Samsung will provide in-home service during the warranty period at no charge subject to availability within the contiguous CANADA. In home service is not available in all areas. To receive in home service product must be unobstructed and accessible to the service agent. If service is not available Samsung may elect to provide transportation of the product to and from an authorized service center.

SAMSUNG will repair or replace this product, at our option and at no charge as stipulated herein, with new or reconditioned parts or products if found to be defective during the limited warranty period specified above. All replaced parts and products become the property of SAMSUNG and must be returned to SAMSUNG. Replacement parts and products assume the remaining original warranty, or ninety (90) days, whichever is longer. This limited warranty covers manufacturing defects in materials and workmanship encountered in normal, noncommercial use of this product and shall not apply to the following: damage which occurs in shipment; delivery and installation; applications and uses for which this product was not intended; altered product or serial numbers; cosmetic damage or exterior finish; accidents, abuse, neglect, fire, water, lightning or other acts of nature; use of products, equipment, systems, utilities, services, parts, supplies, accessories, applications, installations, repairs, external wiring or connectors not supplied or authorized by SAMSUNG which damage this product or result in service problems; incorrect electrical line voltage, fluctuations and surges; customer adjustments and failure to follow operating instructions, maintenance and environmental instructions that are covered and prescribed in the instruction book;



# Warranty (CANADA)

---

product removal and reinstallation; problems caused by pest infestations, and overheating or overcooking by user. This limited warranty shall not cover cases of incorrect electric current, voltage or supply, light bulbs, house fuses, house wiring, cost of a service call for instructions, or fixing installation errors. Furthermore, damage to the glass cooktop caused by the use of cleaners other than the recommended cleaners and pads, damage to the glass cook top caused by hardened spills of sugary materials or melted plastic that are not cleaned according to the directions in the use and care guide are not covered. SAMSUNG does not warrant uninterrupted or error-free operation of the product.

EXCEPT AS SET FORTH HEREIN THERE ARE NO WARRANTIES ON THIS PRODUCT EITHER EXPRESS OR IMPLIED AND SAMSUNG DISCLAIMS ALL WARRANTIES INCLUDING, BUT NOT LIMITED TO, ANY IMPLIED WARRANTIES OF MERCHANTABILITY, INFRINGEMENT OR FITNESS FOR A PARTICULAR PURPOSE. NO WARRANTY OR GUARANTY GIVEN BY ANY PERSON, FIRM OR CORPORATION WITH RESPECT TO THIS PRODUCT SHALL BE BINDING ON SAMSUNG. SAMSUNG SHALL NOT BE LIABLE FOR LOSS OF REVENUE OR PROFITS, FAILURE TO REALIZE SAVINGS OR OTHER BENEFITS, OR ANY OTHER SPECIAL, INCIDENTAL OR CONSEQUENTIAL DAMAGES CAUSED BY THE USE, MISUSE OR INABILITY TO USE THIS PRODUCT, REGARDLESS OF THE LEGAL THEORY ON WHICH THE CLAIM IS BASED, AND EVEN IF SAMSUNG HAS BEEN ADVISED OF THE POSSIBILITY OF SUCH DAMAGES. NOR SHALL RECOVERY OF ANY KIND AGAINST SAMSUNG BE GREATER IN AMOUNT THAN THE PURCHASE PRICE OF THE PRODUCT SOLD BY SAMSUNG AND CAUSING THE ALLEGED DAMAGE. WITHOUT LIMITING THE FOREGOING, PURCHASER ASSUMES ALL RISK AND LIABILITY FOR LOSS, DAMAGE OR INJURY TO PURCHASER AND PURCHASER'S PROPERTY AND TO OTHERS AND THEIR PROPERTY ARISING OUT OF THE USE, MISUSE OR INABILITY TO USE THIS PRODUCT. THIS LIMITED WARRANTY SHALL NOT EXTEND TO ANYONE OTHER THAN THE ORIGINAL PURCHASER OF THIS PRODUCT, IS NONTRANSFERABLE AND STATES YOUR EXCLUSIVE REMEDY.

Some states do not allow limitations on how long an implied warranty lasts, or the exclusion or limitation of incidental or consequential damages, so the above limitations or exclusions may not apply to you. This warranty gives you specific legal rights, and you may also have other rights which vary from state to state.

To obtain warranty service, please contact SAMSUNG at:

Samsung Electronics Canada Inc.

2050 Derry Road West, Mississauga, Ontario L5N 0B9 Canada

1-800-SAMSUNG (726-7864) and [www.samsung.com/ca/support](http://www.samsung.com/ca/support) (English),

[www.samsung.com/ca\\_fr/support](http://www.samsung.com/ca_fr/support) (French)

# Memo

---

# Memo

---

# Memo

---



Scan this with your smartphone

Scannez le code QR\* ou rendez-vous sur le site [www.samsung.com/spsn](http://www.samsung.com/spsn) pour voir nos vidéos et démonstrations en direct d'utilisation.  
\*Requiert l'installation d'un lecteur sur votre smartphone

Veillez noter que la garantie Samsung n'inclut pas les déplacements du service après-vente pour expliquer le fonctionnement de l'appareil, corriger une installation non correcte ou exécuter des travaux de nettoyage ou d'entretien réguliers.

#### UNE QUESTION ? UN COMMENTAIRE ?

PAYS	N° DE TÉLÉPHONE	SITE INTERNET
U.S.A Consumer Electronics	1-800-SAMSUNG (726-7864)	<a href="http://www.samsung.com/us/support">www.samsung.com/us/support</a>
CANADA	1-800-SAMSUNG (726-7864)	<a href="http://www.samsung.com/ca/support">www.samsung.com/ca/support</a> (English) <a href="http://www.samsung.com/ca_fr/support">www.samsung.com/ca_fr/support</a> (French)

DG68-00598A-01

# Manuel d'utilisation

---

Manuel d'utilisation

NE59J7630\*\*

---



# Dispositif anti-basculement

## AVERTISSEMENT

Afin d'éviter tout risque de basculement de la cuisinière, fixez-la correctement à l'aide d'un dispositif anti-basculement. **APRÈS AVOIR INSTALLÉ LA CUISINIÈRE, CONFIRMEZ QUE LE DISPOSITIF ANTI-BASCULEMENT EST BIEN INSTALLÉ ET VÉRIFIEZ QUE CE DERNIER EST BIEN FIXÉ.** Reportez-vous au manuel d'installation pour plus d'instructions.

- a) Si le dispositif anti-basculement n'est pas installé, un enfant ou un adulte peut faire basculer la cuisinière et être tué.
- b) Vérifiez que le dispositif anti-basculement ait été correctement installé et fixé sur l'arrière droit (ou arrière gauche) du dessous de la cuisinière.
- c) Si vous déplacez la cuisinière puis la remettez en place, assurez-vous que le dispositif anti-basculement est refixé à l'arrière droit ou gauche du dessous de l'appareil.
- d) N'utilisez pas la cuisinière si le dispositif anti-basculement n'est pas en place et bien fixé.
- e) Le non-respect de cette consigne peut entraîner des brûlures graves ou des blessures mortelles chez l'enfant et l'adulte.



## AVERTISSEMENT

- Ne marchez pas, ne vous appuyez pas et ne vous asseyez pas sur les portes de la cuisinière.** L'appareil risquerait de basculer et provoquer de graves blessures.
- Confirmez que le dispositif anti-basculement est correctement installé. Puis, vérifiez que le dispositif anti-basculement est fixé, saisissez l'arrière de la cuisinière par le bord arrière et essayez de l'incliner vers l'avant avec précaution. Le dispositif anti-basculement empêche la cuisinière de basculer vers l'avant au-delà de quelques pouces.  

Si vous devez, pour une quelconque raison, retirer la cuisinière du mur, assurez-vous de bien emboîter le dispositif anti-basculement lorsque vous remettez la cuisinière en place contre le mur. Si le dispositif n'a pas été correctement installé, la cuisinière risque de basculer et de provoquer des blessures si une personne ou un enfant marche, s'assoit ou s'appuie sur la porte ouverte.

Ne retirez jamais complètement les pieds de mise à niveau. Si vous retirez les pieds de mise à niveau, la cuisinière ne sera pas fixée correctement au dispositif anti-basculement.

# Table des matières

---

<b>Consignes de sécurité importantes</b>	<b>5</b>
<b>Présentation de votre nouvelle cuisinière</b>	<b>22</b>
Présentation	22
Accessoires fournis	23
<b>Avant de commencer</b>	<b>24</b>
Conseils pour économiser de l'énergie	24
<b>Cuisiner sur la table de cuisson</b>	<b>25</b>
À propos de la cuisine sur la table de cuisson	25
Comment régler la cuisinière pour utiliser la table de cuisson ?	28
Utilisation des ustensiles de cuisine appropriés	30
Choix des ustensiles de cuisine appropriés	31
Protection de la surface lisse	31
<b>Utilisation du four</b>	<b>33</b>
Tableau de commande du four	33
Réglage de l'horloge	34
Réglage de la minuterie	35
Cuisson minutée	35
Départ différé	36
Activation et désactivation de l'éclairage du four	37
Réglages minimum et maximum	37
Utilisation des grilles du four	38
Cuisson	39
Cuisson par convection	40
Rôtissage par convection	41
Cuisson au gril	42
Utilisation de la fonction Cuisson facile	44
Utilisation de la fonction Cuisson favorite	45
Utilisation de la fonction de maintien au chaud	45
Utilisation de la fonction Shabbat	46
Fonctions complémentaires	48
<b>Entretien de votre appareil</b>	<b>51</b>
Auto-nettoyage	51
Nettoyage vapeur	54
Entretien et nettoyage du four	55
Entretien et nettoyage de la table de cuisson vitrée	57
Retrait et remise en place de la porte du four	60
Retrait et remise en place du tiroir de rangement	62
Remplacement de l'ampoule du four	62



# Table des matières

---

Dépannage	63
Dépannage	63
Codes d'information	68
Garantie (États-Unis)	69
Garantie (CANADA)	71

# Consignes de sécurité importantes

Lisez et suivez toutes les consignes avant d'utiliser votre four afin d'éviter tout risque d'incendie, d'électrocution, de blessure ou de dommage lors de l'utilisation de la cuisinière. Le présent guide ne couvre pas toutes les situations susceptibles de se produire. Contactez toujours votre réparateur ou le fabricant en cas de fonctionnement anormal de l'appareil.

## Ce que vous devez savoir sur les consignes de sécurité

Les avertissements et les consignes de sécurité importants contenus dans ce manuel ne sont pas exhaustifs. Il est de votre responsabilité de faire appel à votre bon sens et de faire preuve de prudence et de minutie lors de l'installation, de l'entretien et de l'utilisation du four.

## Symboles de sécurité importants et précautions

Signification des icônes et des symboles utilisés dans ce manuel :

### AVERTISSEMENT







Risques ou manipulations dangereuses susceptibles d'entraîner des **blessures graves, voire mortelles**.

### ATTENTION

Risques ou manipulations dangereuses susceptibles d'entraîner des **blessures légères ou des dégâts matériels**.

### ATTENTION

Afin de réduire les risques d'incendie, d'explosion, d'électrocution ou de blessures lors de l'utilisation du four, vous devez respecter ces règles de sécurité de base.

-  NE PAS tenter.
-  NE PAS démonter.
-  NE PAS toucher.
-  Suivez scrupuleusement les consignes.
-  Débranchez la fiche d'alimentation de la prise murale.
-  Assurez-vous que l'appareil est relié à la terre afin d'éviter tout risque d'électrocution.

# Consignes de sécurité importantes

 Contactez le service d'assistance technique.

 Remarque

Les symboles d'avertissement sont là pour minimiser les risques de blessure ; veillez à bien les respecter.


Après lecture de cette rubrique, conservez le manuel dans un endroit sûr afin de pouvoir le consulter ultérieurement.


## Pour votre sécurité

**Lorsque vous utilisez des appareils électriques, respectez les consignes de sécurité de base suivantes :**

### **ATTENTION**

- Utilisez cet appareil uniquement pour l'usage auquel il est destiné (tel que décrit dans ce manuel d'utilisation).
- Les surfaces potentiellement chaudes comprennent la table de cuisson, les zones faisant face à la table de cuisson, l'orifice de ventilation du four, les surfaces situées à proximité de cette ouverture, les rainures situées autour de la porte du four.

 Assurez-vous que votre appareil est correctement installé et mis à la terre par un technicien qualifié.

 **Entretien par l'utilisateur** - Ne réparez ni ne remplacez jamais les pièces de l'appareil vous-même, sauf si le présent manuel vous y autorise. Toute autre réparation devra être effectuée par un technicien qualifié.

 Eteignez toujours l'appareil avant de procéder à une réparation, en retirant le fusible ou en coupant le disjoncteur.

 • **Ne pénétrez pas à l'intérieur du four.**

• **Ne rangez pas d'objets susceptibles d'éveiller l'intérêt des enfants dans les placards situés au-dessus de la cuisinière ou sur le dossier de la cuisinière** (risque de chute et de blessures graves).

• **Ne laissez pas les enfants seuls.** Ne laissez jamais un enfant sans surveillance dans la pièce où est installé l'appareil. Ne les autorisez jamais à monter sur une quelconque partie de l'appareil.

• **N'utilisez jamais l'appareil pour chauffer une pièce.**

- 
- ☒ • **N'utilisez pas d'eau pour éteindre les flammes de friture.** Éteignez le four pour éviter leur propagation. Étouffez le feu ou les flammes en fermant la porte ou en utilisant un extincteur à poudre, à mousse ou à dioxyde de carbone.
  - Évitez de rayer ou de heurter les portes en verre, les surfaces de cuisson ou les tableaux de commande. Le verre pourrait se briser. N'effectuez pas de cuisson avec un verre brisé. Vous risquez une électrocution, un incendie ou des coupures.
  - S'il se produit un incendie pendant l'auto-nettoyage du four, coupez l'alimentation et attendez que le feu s'éteigne. Ne forcez jamais l'ouverture de la porte. L'introduction d'air frais à des températures d'auto-nettoyage peut provoquer un embrasement du four. Le non-respect de cette consigne risque d'entraîner de graves brûlures.
  - En cas de taches de graisse importantes, activez la fonction d'auto-nettoyage avant d'utiliser le four à nouveau. Laisser de l'huile à l'intérieur génère un risque d'incendie.
  - Essuyez les éclaboussures importantes sur le fond du four avec un papier d'essuyage ou un chiffon avant de démarrer le cycle d'auto-nettoyage. L'auto-nettoyage du four lorsqu'il y a des taches de graisse importantes sur le fond nécessite des cycles de nettoyage plus longs et produit plus de fumée.
  - ★ • **Stockage à l'intérieur ou sur le dessus de l'appareil.** N'entreposez aucun matériau inflammable dans ou à proximité du four. Retirez tous les éléments d'emballage de l'appareil avant de l'utiliser. Maintenez tout objet en plastique, vêtement et papier à distance des pièces susceptibles d'être chaudes.
  - **Portez les vêtements appropriés.** Ne portez jamais de vêtements amples lorsque vous utilisez cet appareil.
  - **Utilisez uniquement des maniques sèches.** L'utilisation de maniques humides ou mouillées sur les surfaces chaudes peut entraîner des brûlures en raison de la vapeur qui se dégage à ce moment-là. Les maniques ne doivent pas entrer en contact avec les éléments chauffants. N'utilisez pas de serviette ou tout autre torchon volumineux.
  - Apprenez aux enfants à ne pas jouer avec les commandes ou les autres éléments de la cuisinière.
  - Pour votre sécurité, ne nettoyez jamais l'appareil à l'aide d'un nettoyeur haute pression (eau ou vapeur).
  - Si le cordon d'alimentation de l'appareil est endommagé, il devra être remplacé par le fabricant, son réparateur agréé ou par toute personne qualifiée afin d'éviter de créer un danger.

# Consignes de sécurité importantes

---

- ★ • Cet appareil n'est pas conçu pour être utilisé par des personnes (y compris les enfants) inexpérimentées ou dont les capacités physiques, sensorielles ou mentales sont réduites, sauf si celles-ci sont sous la surveillance ou ont reçu les instructions d'utilisation appropriées de la personne responsable de leur sécurité.

## Tables de cuisson

---

- ☐ • **Ne laissez jamais la table de cuisson sans surveillance lorsqu'un brûleur fonctionne à puissance élevée.** En cas de débordement, les particules graisseuses provenant des aliments risquent de s'enflammer.
- Couches protectrices – N'utilisez pas de papier d'aluminium pour recouvrir le fond des bacs de récupération ou la sole du four, sauf si les instructions le suggèrent. Une installation inappropriée de ces couches protectrices est susceptible de provoquer une décharge électrique ou un incendie.
- Pour éviter le débordement d'huile et un incendie, employez une quantité minimale d'huile dans une poêle peu profonde et évitez de faire cuire les aliments surgelés avec des quantités excessives de glace.
- **Ne soulevez pas la table de cuisson.** Vous risqueriez de l'endommager et de provoquer des dysfonctionnements.
- **Ne faites jamais fonctionner la table de cuisson sans récipient.** Les boutons de commande deviendraient brûlants.
- N'utilisez jamais la table de cuisson vitrée comme planche à découper.

- 
- ★ • **Soyez prudent lorsque vous touchez la table de cuisson.** La surface vitrée restera chaude quelques minutes même après l'arrêt de la cuisson.
  - **Posez les ustensiles de cuisine sur la table de cuisson avec précaution,** surtout lorsque celle-ci fonctionne. Vous risqueriez entre autre de vous brûler.
  - **Utilisez des plats de taille appropriée.** La cuisinière est dotée de foyers de différentes tailles. Utilisez des casseroles et des poêles à fond plat, suffisamment larges pour recouvrir toute la surface de chauffe. L'utilisation d'ustensiles de taille trop petite exposerait une partie de l'élément chauffant à un risque de contact et d'inflammation (ex. : tissu). Des casseroles et des poêles de taille adéquate augmenteront en outre l'efficacité de la cuisson.
  - **Le manche des ustensiles doit être dirigé vers l'intérieur et non au-dessus des foyers adjacents** - Afin de réduire tout risque de brûlure, d'inflammation ou de projections dû à un contact accidentel avec les ustensiles, dirigez leur manche vers l'intérieur et non au-dessus des foyers adjacents.
  - ★ • **Ustensiles de cuisson en faïence.** Afin d'éviter tout risque de fêlure lié aux brusques changements de températures, utilisez uniquement des ustensiles en verre, en vitrocéramique, en céramique, en terre cuite ou en faïence.
  - **Nettoyage.** Suivez les consignes et avertissements figurant sur les étiquettes des produits nettoyants.
  - Assurez-vous que vous savez quel bouton de commande correspond à chaque foyer. Assurez-vous d'avoir allumé le bon foyer.
  - Éteignez toujours le foyer avant de retirer la casserole.
  - Si vous préparez des aliments qui s'enflamment sous la hotte, activez la ventilation.
  - Surveillez les aliments frits à température élevée ou moyenne.
  - **Ne stockez pas d'objets lourds au-dessus de la table de cuisson qui pourraient tomber et l'endommager.**
  - **N'utilisez pas de caches décoratifs sur les éléments de la table** - Si un élément est allumé accidentellement, le couvercle décoratif peut devenir chaud ou fondre. Des brûlures peuvent se produire si les caches chauds sont manipulés. La table de cuisson peut également être endommagée.

# Consignes de sécurité importantes

---

## Sécurité électrique

---

- ★ • **Bonne installation** - Assurez-vous que votre appareil est correctement installé et mis à la terre par un technicien qualifié.
  - L'entretien de cet appareil doit impérativement être effectué par une main d'œuvre qualifiée. Des réparations effectuées par des personnes non qualifiées peuvent causer des blessures corporelles ou des dégâts matériels graves. Si votre cuisinière nécessite des réparations, contactez un service d'assistance technique agréé Samsung. Le non respect de ces instructions peut provoquer des dommages et entraîner l'annulation de la garantie.
  - Les appareils encastrés ne doivent être mis en marche qu'après avoir été installés dans un meuble ou un lieu de travail conforme aux normes en vigueur. Cela garantit une installation des appareils conforme aux normes de sécurité appropriées.
  - En cas de dysfonctionnement ou de détérioration (cassure, fêlure) de l'appareil :
    - éteignez toutes les zones de cuisson
    - débranchez la cuisinière de la prise murale CA
    - contactez le centre de dépannage Samsung le plus proche.

### ⚠ AVERTISSEMENT

Si la surface est fendue, éteignez et débranchez l'appareil afin d'éviter tout risque d'électrocution. N'utilisez pas la table de cuisson tant que la surface vitrée n'a pas été remplacée.

### ⚠ AVERTISSEMENT

- Afin d'éviter tout risque d'électrocution, veillez à ce que l'appareil soit hors tension avant de procéder au remplacement de l'ampoule.
- La cuisinière ne doit pas être placée sur un socle.

---

## Sécurité enfants

---

### ▲ AVERTISSEMENT

- Cet appareil n'est pas conçu pour être utilisé par des jeunes enfants ou des personnes invalides non assistés par un adulte responsable.
- Les jeunes enfants ne doivent pas utiliser l'appareil sans la surveillance d'un adulte.
- Veillez à ce que les enfants soient éloignés de la porte lors de son ouverture ou de sa fermeture car ils pourraient se cogner contre la porte ou se prendre les doigts dedans.
- Les zones de cuisson chauffent lorsque vous cuisinez. Pour éviter aux jeunes enfants d'être brûlés, maintenez-les toujours éloignés de l'appareil lorsque vous cuisinez.
- Pendant l'auto-nettoyage, les surfaces peuvent devenir plus chaudes que d'habitude. Tenez les enfants éloignés de la cuisinière lorsqu'elle est en mode d'auto-nettoyage.

### ▲ AVERTISSEMENT

les parties accessibles peuvent devenir très chaudes pendant l'utilisation. Les enfants en bas âge doivent être tenus à l'écart du four afin d'éviter toute brûlure.

## Four

---

- ☐ • **NE TOUCHEZ PAS LES ÉLÉMENTS CHAUFFANTS OU LES SURFACES INTERNES DU FOUR.** Les éléments chauffants peuvent être chauds même s'ils sont noirs. Les surfaces internes d'un four deviennent suffisamment chaudes pour provoquer des brûlures. Pendant et après le fonctionnement, ne touchez pas les éléments chauffants et les surfaces internes du four et ne laissez aucun vêtement ou produit inflammable entrer en contact avec ces derniers tant qu'ils n'ont pas refroidis. Certaines autres surfaces du four peuvent devenir chaudes au point de provoquer des brûlures. Il s'agit des orifices de ventilation du four et surfaces situées à proximité de ces orifices, de la porte du four et de la vitre de la porte du four.
- **Ne faites pas chauffer des aliments contenus dans des récipients fermés.** L'accumulation de pression pourrait faire exploser le contenant et provoquer des blessures.



# Consignes de sécurité importantes

- ☐ • **N'utilisez pas le four pour sécher des journaux.** En cas de surchauffe, les journaux risquent de s'enflammer.
- **N'utilisez pas le four comme espace de rangement.** Les éléments rangés dans le four peuvent s'enflammer.
- ★ • **Soyez prudent lorsque vous ouvrez la porte.** Laissez l'air chaud ou la vapeur s'échapper avant de retirer les aliments du four ou de les placer à l'intérieur.
- **Couches protectrices.** N'utilisez pas de papier d'aluminium pour recouvrir la sole du four, sauf si les instructions le suggèrent. Une installation inappropriée de ces couches protectrices est susceptible de provoquer une décharge électrique ou un incendie.
- **N'obstruez pas les conduits de ventilation du four.** L'orifice de ventilation est situé au-dessus de l'élément de surface arrière droit. Pendant le fonctionnement du four, cette zone peut devenir extrêmement chaude. N'obstruez jamais cette ouverture et n'y placez pas de matière plastique ou d'éléments sensibles à la chaleur.
- **Insertion des grilles du four.** Placez toujours les grilles du four à la hauteur appropriée tant que le four est encore froid. Si vous devez déplacer une grille alors que le four est chaud, utilisez des maniques. Les poignées des récipients ne doivent jamais toucher les éléments chauffants du four.
- ☐ • L'aluminium ou la sonde thermique ne doit pas toucher les éléments chauffants.
- **Cet appareil devient chaud pendant son utilisation.**  
Prenez garde à ne pas toucher les éléments chauffants situés à l'intérieur du four.
- N'utilisez pas de nettoyeurs fortement abrasifs ou de grattoirs métalliques pointus pour nettoyer le verre de la porte de four. Ils sont susceptibles de rayer la surface et avoir comme conséquence l'éclatement en verre.

## ⚠ ATTENTION

**N'essayez pas d'utiliser le four pendant une panne de courant.** En cas de panne de courant, arrêtez toujours le four. Si le four n'est pas arrêté et que l'alimentation est rétablie, le four peut commencer à fonctionner à nouveau. Les aliments laissés sans surveillance peuvent s'enflammer ou s'altérer.

---

## Fours auto-nettoyants

---

- ☒ **Ne nettoyez jamais le joint de la porte.** Le joint de la porte est indispensable pour assurer une bonne étanchéité. Veillez à ne pas frotter, endommager ni déplacer le joint.
- ★ • **Ne laissez jamais vos oiseaux de compagnie dans la cuisine.** Les oiseaux sont extrêmement sensibles à la fumée émise durant les cycles d'auto-nettoyage du four. La fumée peut être dangereuse, voire mortelle pour les oiseaux. Déplacez les oiseaux dans une pièce bien aérée.
- **Procédez uniquement au cycle d'auto-nettoyage des parties mentionnées dans le manuel.** Avant de procéder à l'auto-nettoyage du four, retirez la plaque de séparation, la grille, les ustensiles et tous les aliments.
- ★ • Avant d'actionner le cycle d'auto-nettoyage, essuyez la graisse et les résidus alimentaires dans le four. Une quantité excessive de graisse peut s'enflammer, provoquant de la fumée dommageable pour votre intérieur.
- Aucun nettoyant ou revêtement de protection pour four disponible dans le commerce ne doit être utilisé pour l'intérieur ou l'extérieur du four.
- Retirez les grilles en nickel avant de démarrer le cycle d'auto-nettoyage du four afin d'éviter qu'elles ne se décolorent.
- Si le mode d'auto-nettoyage ne fonctionne pas, éteignez le four et débranchez-le de la prise d'alimentation. Faites-le réparer par un technicien qualifié.
- Nettoyez les projections les plus importantes avant de procéder à l'auto-nettoyage.

---

## Hotte d'aspiration

---

- ★ • **Nettoyez fréquemment la hotte d'aspiration.** Ne laissez pas la graisse s'accumuler sur la hotte ou le filtre.
- **Si les aliments situés sur la cuisinière s'enflamment, activez la ventilation.**

# Consignes de sécurité importantes





## Surfaces de cuisson en vitrocéramique

- ☐ • **NE TOUCHEZ PAS LES FOYERS OU LES ZONES SITUÉES À PROXIMITÉ.**  
Les éléments de la table de cuisson peuvent être chauds même s'ils sont noirs. Les zones situées à proximité de ces éléments peuvent devenir chaudes au point de provoquer des brûlures. Pendant et après le fonctionnement de la cuisinière, ne touchez pas les foyers ou les zones situées à proximité des foyers et évitez que des vêtements ou produits inflammables n'entrent en contact avec ces derniers tant qu'ils n'ont pas entièrement refroidi. Ces zones incluent notamment la table de cuisson et les zones situées face à la table de cuisson.
- **Ne faites rien cuire sur une table de cuisson brisée.** Si la table de cuisson est cassée, vous risquez de vous électrocuter en la nettoyant ou en cuisinant dessus. Contactez immédiatement un technicien qualifié.
- ★ **Nettoyez la table de cuisson avec précaution.** Si vous utilisez une éponge ou un chiffon humide pour essuyer les salissures sur une table de cuisson chaude, veillez à ne pas vous brûler avec la vapeur. Certains nettoyants peuvent former des fumées toxiques s'ils sont appliqués sur une surface chaude.

## Avertissements importants relatifs à l'installation

### ▲ AVERTISSEMENT



- ★ • Cet appareil doit être installé par un technicien qualifié ou une société de dépannage.
  - Le non-respect de cette consigne peut provoquer une électrocution, un incendie, une explosion, un dysfonctionnement de l'appareil ou des blessures.
- Déballez l'appareil : retirez tous les éléments d'emballage et vérifiez que le four n'est pas endommagé (traces de choc à l'intérieur ou à l'extérieur, loquets cassés, fissures au niveau de la porte ou porte mal alignée). En cas de dommages, n'utilisez pas le four et contactez immédiatement votre revendeur.
- Branchez le cordon d'alimentation sur une prise adaptée correctement reliée à la terre. Ne branchez aucun autre appareil électrique sur ce même circuit.
- Gardez tous les éléments d'emballage hors de la portée des enfants. Ceux-ci risqueraient de les utiliser pour jouer et se blesser.
- Installez votre appareil sur un revêtement plat et dur, capable de supporter son poids.
  - Le non-respect de cette consigne risque d'entraîner des vibrations anormales, des bruits ou d'autres problèmes avec l'appareil.

- 
-  • Cet appareil doit être correctement relié à la terre.
    - Ne reliez jamais cet appareil à une conduite de gaz, à un tuyau d'eau en plastique ou à une ligne téléphonique.
      - Cela pourrait entraîner un risque d'électrocution, d'incendie, d'explosion ou de défaillance de l'appareil.
    - Ne coupez ni ne retirez JAMAIS la broche de mise à la terre de la fiche du cordon d'alimentation.
    - Assurez-vous que l'ampérage de la prise sur laquelle est branché l'appareil est adapté.
  -  • N'installez pas cet appareil dans un endroit humide, gras ou poussiéreux et veillez à ce qu'il ne soit pas exposé directement à la lumière du soleil ou à une source d'eau (eau de pluie).
    - Cela pourrait entraîner un risque d'électrocution ou d'incendie.
    - N'utilisez jamais un cordon d'alimentation endommagé ou une prise murale mal fixée.
      - Cela pourrait entraîner un risque d'électrocution ou d'incendie.
    - Ne tirez jamais sur le cordon d'alimentation et ne le pliez pas de façon excessive.
    - Ne vrillez et ne serrez pas le cordon d'alimentation.
  -  • N'accrochez pas le cordon d'alimentation sur un objet métallique ; ne placez pas d'objet lourd sur le cordon d'alimentation ; n'insérez pas le cordon d'alimentation entre des objets.
    - Cela pourrait entraîner un risque d'électrocution ou d'incendie.
  -  Si le cordon d'alimentation est endommagé, contactez le centre de dépannage Samsung le plus proche.

# Consignes de sécurité importantes

## Avertissements importants relatifs à l'utilisation

### ATTENTION

-  • En cas d'inondation, si votre appareil a été en contact avec l'eau, veuillez contacter le centre de dépannage le plus proche. Le non-respect de cette consigne peut entraîner un risque d'électrocution ou d'incendie.
- Si l'appareil génère un bruit anormal, une odeur de brûlé ou de la fumée, débranchez immédiatement la prise et contactez le service de dépannage le plus proche.
  - Le non-respect de cette consigne peut entraîner un risque d'électrocution ou d'incendie.
- En cas de fuite de gaz (propane, GPL, etc.), aérez immédiatement la pièce. Ne touchez pas le cordon d'alimentation. Ne touchez pas l'appareil.
  - La moindre étincelle risquerait de provoquer une explosion ou un incendie.
- Prenez garde à ne pas toucher la porte du four, les éléments chauffants ou toute autre partie de l'appareil susceptible d'avoir chauffé.
  - Le non-respect de cette consigne risque d'entraîner des brûlures.
- En cas de départ de feu à l'intérieur du four, laissez sa porte fermée, éteignez l'appareil et débranchez la prise ou coupez l'alimentation au niveau du tableau de fusibles ou du disjoncteur. Si vous ouvrez la porte du four, l'incendie risque de se propager.
- Respectez systématiquement les consignes de sécurité lorsque vous utilisez votre four. Ne tentez jamais de réparer vous-même l'appareil ; le courant électrique circulant à l'intérieur est très élevé. Si le four nécessite des réparations, contactez un centre de dépannage agréé proche de chez vous.
- Si vous utilisez l'appareil alors qu'il est contaminé par des substances étrangères (ex. : résidus d'aliments), vous risquez de l'endommager.
- Retirez l'emballage des aliments avec précaution lorsque vous sortez ces derniers du four.
  - Si les aliments sont chauds, de la vapeur chaude peut s'échapper soudainement lorsque vous en retirez l'emballage, et vous risquez de vous brûler.
-  Ne tentez pas de réparer, démonter ou modifier vous-même l'appareil.
  - Le châssis de l'appareil étant traversé par un courant à haute tension, il existe un risque d'électrocution ou d'incendie.
  - Si le four nécessite des réparations, contactez le centre de dépannage le plus proche de chez vous.

- 
- ✎ Si une substance étrangère telle que de l'eau pénètre dans l'appareil, contactez le centre de dépannage le plus proche.
    - Le non-respect de cette consigne peut entraîner un risque d'électrocution ou d'incendie.
  - ☐ • Ne manipulez pas le cordon d'alimentation avec les mains mouillées.
    - Cela pourrait entraîner un risque d'électrocution.
  - N'éteignez pas l'appareil s'il est en cours de fonctionnement.
    - Cela pourrait provoquer une étincelle et entraîner un risque d'électrocution ou d'incendie.
  - Conservez tous les matériaux d'emballage hors de portée des enfants : les matériaux d'emballage présentent un danger pour les enfants.
    - Risque d'asphyxie avec les sacs plastique notamment.
  - Ne laissez pas les enfants ou toute personne à capacités physiques, sensorielles ou mentales réduites utiliser cet appareil sans surveillance.
  - Veillez à ce que les commandes et les zones de cuisson du four soient hors de portée des enfants.
    - Le non-respect de cette consigne peut entraîner un risque d'électrocution, de brûlures ou de blessures.
  - Ne touchez pas l'intérieur du four juste après son fonctionnement ; les éléments sont encore brûlants.
    - Le non-respect de cette consigne risque d'entraîner des brûlures.
  - N'utilisez et n'entrez pas d'aérosols ou d'objets inflammables à proximité du four.
    - Les matériaux inflammables et les aérosols peuvent créer un incendie ou une explosion.
  - N'insérez pas vos doigts, de substances étrangères ou d'objets métalliques tels que des épingles ou des aiguilles dans l'entrée, la sortie et les orifices de l'appareil. En cas d'insertion de substances étrangères dans l'une de ces ouvertures, contactez votre fournisseur ou le centre de dépannage le plus proche.
  - N'essayez pas de modifier, d'ajuster ou de réparer la porte. NE retirez JAMAIS la porte ou l'habillage du four.
  - N'entrez et n'utilisez jamais le four en extérieur.
  - Cet appareil ne doit jamais être utilisé à d'autres fins que la cuisson.
    - Si vous vous servez de l'appareil pour un autre usage que celui auquel il est destiné, vous risquez de provoquer un incendie.

# Consignes de sécurité importantes

---



- ☐ • Ôtez le couvercle ou le bouchon des récipients fermés (bouteille de thé aux herbes, biberon, bouteille de lait, etc.) avant de les réchauffer. Faites un trou avec un couteau dans les aliments contenant des coquilles (œufs, châtaignes, etc.) avant de les cuisiner.
  - Le non-respect de cette consigne risque d'entraîner des brûlures ou des blessures.
- Ne faites jamais chauffer des récipients en plastique ou en papier et ne les utilisez pas pour la cuisson.
  - Le non-respect de cette consigne risque d'entraîner un incendie.
- Ne faites pas chauffer d'aliments emballés dans du papier tel que des pages de magazine ou du journal, etc.
  - Cela pourrait provoquer un incendie.
- N'ouvrez pas la porte si les aliments à l'intérieur du compartiment de cuisson sont en flammes.
  - Si vous ouvrez la porte, de l'oxygène pénétrera à l'intérieur et cela risque de provoquer un incendie.
- N'exercez pas de pression excessive sur la porte ou à l'intérieur de l'appareil. Évitez tout choc sur la porte ou à l'intérieur de l'appareil.
  - S'accrocher à la porte de l'appareil risque de le faire basculer et de provoquer de graves blessures.
  - Si la porte du four est endommagée, ne vous servez pas de l'appareil. Contactez un centre d'assistance technique.
- Ne touchez pas les aliments pendant ou immédiatement après la cuisson.
  - Utilisez des maniques afin d'éviter toute brûlure.
  - Utilisez une manique ou des gants, les surfaces des poignées et du four peuvent être suffisamment chaudes pour provoquer des brûlures après cuisson.

---

## Avertissements relatifs à l'utilisation

---

### ATTENTION

-  • Si la surface du four est fissurée, n'utilisez pas l'appareil.
  - Le non-respect de cette consigne risque d'entraîner une électrocution.
- Les plats et récipients peuvent devenir extrêmement chauds. Manipulez-les avec précaution.
- Les plats chauds et la vapeur peuvent provoquer des brûlures. Retirez le couvercle des récipients avec précaution en veillant à éloigner ces derniers de votre visage et de vos mains afin d'éviter que le dégagement de vapeur ne vous brûle.
- Retirez les couvercles des petits pots pour bébé avant de les faire chauffer. Lorsque vous réchauffez des aliments pour bébé, remuez-les bien pour répartir la chaleur uniformément. Testez toujours la température des aliments avant de les donner à un bébé. Contrairement à ce qu'il paraît, le récipient en verre ou la surface des aliments peuvent être chauds au point de brûler la bouche du bébé.
- Soyez prudent car les boissons ou aliments peuvent être très chaud(e)s après avoir été réchauffé(e)s.
  - Vérifiez que les aliments ont suffisamment refroidi avant de les donner aux jeunes enfants.
- Montrez-vous particulièrement vigilant lorsque vous faites chauffer des liquides (ex. : eau ou autres boissons).
  - Veillez à remuer pendant ou après la cuisson.
  - Évitez d'utiliser des récipients glissants à goulot étroit.
  - Attendez au moins 30 secondes après la cuisson avant de retirer le liquide qui vient d'être chauffé.
  - Le non-respect de cette consigne risque de provoquer un soudain débordement de son contenu et d'entraîner des brûlures.
-  • Ne montez pas sur l'appareil et ne placez pas d'objets (ex. : linge, couvercle de four, bougies allumées, cigarettes allumées, plats, produits chimiques, objets métalliques, etc.) dessus.
  - Des articles peuvent rester coincés dans la porte.
  - Cela pourrait entraîner un risque d'électrocution, d'incendie, de défaillance de l'appareil ou des blessures.
- N'utilisez pas l'appareil avec les mains mouillées.
  - Cela pourrait entraîner un risque d'électrocution.
- Ne vaporisez pas de substances volatiles (ex. : insecticide) sur la surface de l'appareil.
  - Ces substances sont non seulement nocives pour la santé, mais elles peuvent également entraîner une électrocution, un incendie ou une défaillance de l'appareil.



# Consignes de sécurité importantes

---

- ☐ • N'approchez pas votre visage ou votre corps de l'appareil pendant la cuisson ou lors de l'ouverture de la porte juste après la cuisson.
  - Veillez à ce que les enfants ne s'approchent pas trop près de l'appareil.
  - Le non-respect de cette consigne risque d'entraîner des brûlures pour les enfants.
- Ne posez pas d'aliments ou d'objets lourds sur la porte lorsque celle-ci est ouverte.
  - Vous risqueriez de vous brûler ou de vous blesser si les objets chutaient.
- Ne créez pas de choc thermique brutal au niveau de la porte, de l'intérieur de l'appareil ou du plat (ex. : en versant de l'eau dessus pendant ou juste après la cuisson).
  - Cela risque d'endommager l'appareil. La vapeur ou les projections d'eau pourraient entraîner des brûlures ou des blessures.
- Ne faites jamais fonctionner l'appareil à vide, sauf en mode d'auto-nettoyage.
- Ne faites jamais décongeler de boissons surgelées contenues dans des bouteilles à col étroit. Celles-ci risqueraient d'éclater.
- Ne rayez pas la surface vitrée de la porte du four à l'aide d'un objet tranchant.
  - Cela pourrait endommager, voire briser la vitre.
- Ne posez rien sur l'appareil lorsque celui-ci fonctionne.
- N'utilisez pas de récipients fermés hermétiquement. Retirez les opercules et les couvercles avant la cuisson. Les récipients fermés hermétiquement peuvent exploser en raison de l'accumulation de pression, même après l'arrêt du four.
- Veillez à ce que les aliments ne touchent pas les éléments chauffants du four.
  - Cela pourrait provoquer un incendie.
- Ne faites pas surchauffer les aliments.
  - Cela pourrait provoquer un incendie.

---

## Avertissements importants relatifs au nettoyage

---

### ATTENTION

- ★ • Ne nettoyez pas l'appareil en pulvérisant directement de l'eau dessus.
- N'utilisez pas de benzène, de diluant ou d'alcool pour nettoyer l'appareil.
  - Cela pourrait entraîner une décoloration, une déformation, des dommages sur l'appareil ainsi qu'un risque d'électrocution ou d'incendie.
- Prenez garde à ne pas vous blesser en nettoyant l'appareil (extérieur ou intérieur).
  - Les arêtes de celui-ci peuvent se révéler très tranchantes.
- Ne nettoyez pas l'appareil à l'aide d'un nettoyeur vapeur.
  - Cela pourrait entraîner un phénomène de corrosion.
- Veillez à maintenir l'intérieur du four toujours propre. Les particules d'aliments ou les projections d'huile adhérant aux parois risquent d'abîmer le four ou d'en réduire son efficacité.

## Avertissements de la Proposition 65 adoptée par l'État de la Californie :

---

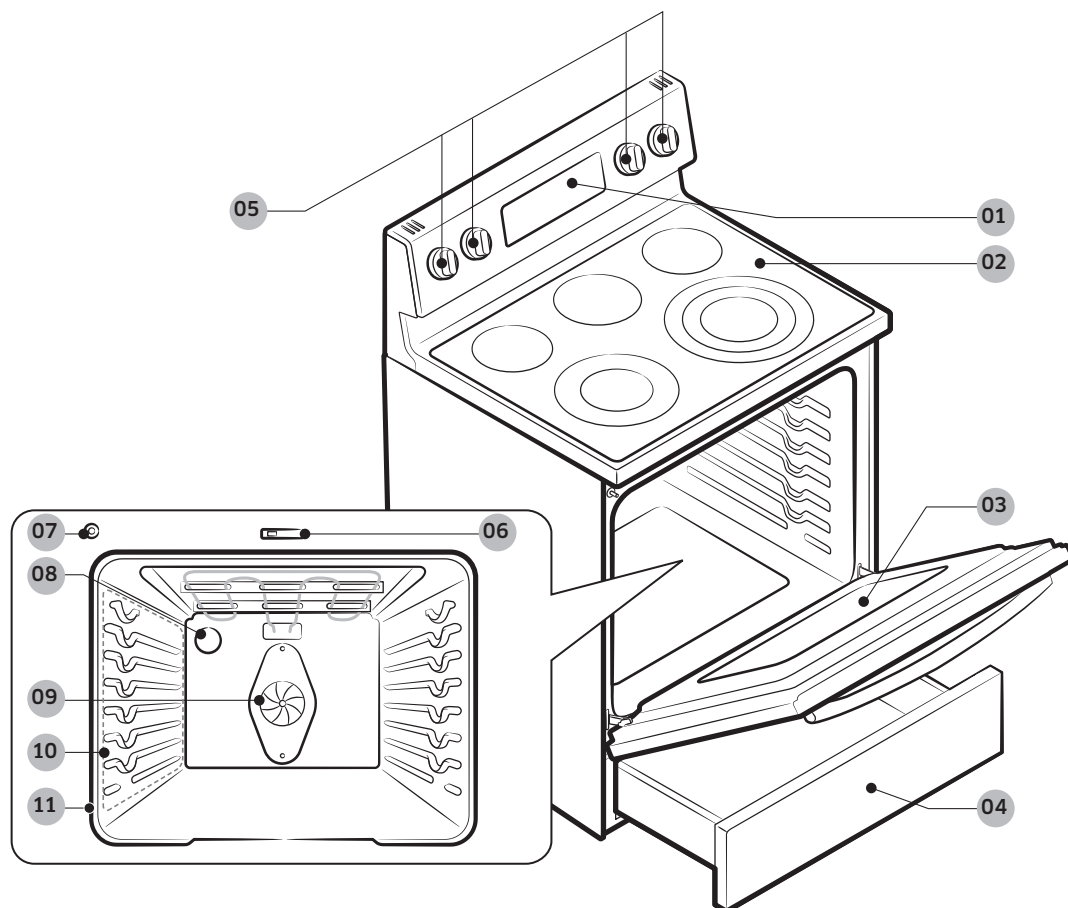
### AVERTISSEMENT

Ce produit contient des substances chimiques reconnues par l'État de la Californie comme étant des substances toxiques pour la reproduction et provoquant des cancers.

# Présentation de votre nouvelle cuisinière

## Présentation

Présentation de votre nouvelle cuisinière



**01** Tableau de commande du four (Voir page 33 pour plus d'informations)

**02** Surface vitrée

**03** Porte du four

**04** Tiroir de rangement

**05** \* Boutons de commande de la surface (Voir page 26 pour plus d'informations)

**06** Loquet de nettoyage automatique/vapeur

**07** Commutateur d'éclairage automatique du four

**08** \* Éclairage du four

**09** Ventilateur de convection

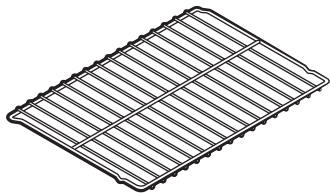
**10** Hauteur

**11** Joint

---

## Accessoires fournis

---



---

\* Grilles de cuisson (2)

### REMARQUE

---

Si vous souhaitez acheter un accessoire repéré par un astérisque (\*), vous pouvez le commander auprès du Centre d'assistance Samsung (1-800-726-7864).

# Avant de commencer

---

Nettoyez soigneusement le four avant de l'utiliser pour la première fois. Ensuite, retirez les accessoires, lancez un cycle de cuisson traditionnelle et faites fonctionner le four à 400 °F pendant 1 heure. Il est normal qu'une odeur caractéristique se dégage lors de cette opération. Ceci est tout à fait normal.

Aérez convenablement la pièce pendant cette période.

## Conseils pour économiser de l'énergie

---

- Au cours de la cuisson, la porte du four doit être fermées sauf lorsque vous retournez les aliments.  
Veuillez ne pas ouvrir trop souvent la porte au cours de la cuisson afin de maintenir la température du four et d'économiser de l'énergie.
- Si le temps de cuisson est supérieur à 30 minutes, vous pouvez éteindre le four 5 à 10 minutes avant la fin du temps de cuisson pour économiser de l'énergie. La chaleur résiduelle terminera le processus de cuisson.
- Pour économiser de l'énergie et réduire le temps nécessaire pour refaire chauffer le four, prévoyez l'utilisation du four afin d'éviter d'avoir à l'éteindre entre deux cuissons d'aliments.
- Lorsque c'est possible, faites cuire plusieurs aliments à la fois.

# Cuisiner sur la table de cuisson

## À propos de la cuisine sur la table de cuisson

### ATTENTION

#### AVANT LA CUISSON

- N'utilisez pas la table de cuisson vitrée comme planche à découper.
- Ne placez et ne rangez rien qui soit susceptible de fondre ou de s'enflammer sur la surface vitrée, même si elle n'est pas utilisée.
- Allumez la table de cuisson uniquement après avoir placé un récipient sur le foyer.
- Ne stockez pas d'objets lourds au-dessus de la table de cuisson. Ils pourraient tomber et l'endommager.

### ATTENTION

#### PENDANT LA CUISSON

- Ne placez pas de papier d'aluminium ou d'objet en plastique tel que salières et poivrières, porte-cuillères ou emballages en plastique sur la cuisinière lorsque vous l'utilisez. L'air chaud provenant de l'orifice de ventilation risque de faire fondre le plastique ou d'enflammer les objets.
- Assurez-vous que le foyer correct est allumé.
- Ne faites jamais cuire les aliments directement sur la surface vitrée. Utilisez toujours un récipient.
- Veillez à toujours centrer la casserole sur le foyer que vous utilisez.

- Ne laissez jamais les foyers sans surveillance lorsque vous utilisez une température élevée. En cas de débordement, les particules grasses provenant des aliments risquent de s'enflammer.
- Eteignez les foyers avant de retirer la casserole.
- Ne couvrez pas les aliments de film plastique. Le plastique risque de fondre sur la surface et de s'avérer très difficile à nettoyer.

### ATTENTION

#### APRÈS LA CUISSON

- Ne touchez pas les foyers avant qu'ils n'aient refroidi.
- Le foyer peut encore être chaud et vous risquez de vous brûler si vous touchez la surface vitrée avant qu'elle n'ait suffisamment refroidi.
- Nettoyez immédiatement les éclaboussures de la table de cuisson afin d'éviter qu'elles ne s'incrustent et soient difficiles à nettoyer.
- Si un placard de rangement est installé directement au-dessus de la table de cuisson, assurez-vous que les éléments rangés sont rarement utilisés et qu'ils peuvent être rangés en toute sécurité dans un endroit soumis à la chaleur. La chaleur peut s'avérer dangereuse dans le cas de liquides volatils, de nettoyeurs ou de produits en aérosol.

# Cuisiner sur la table de cuisson

## À propos des foyers radiants

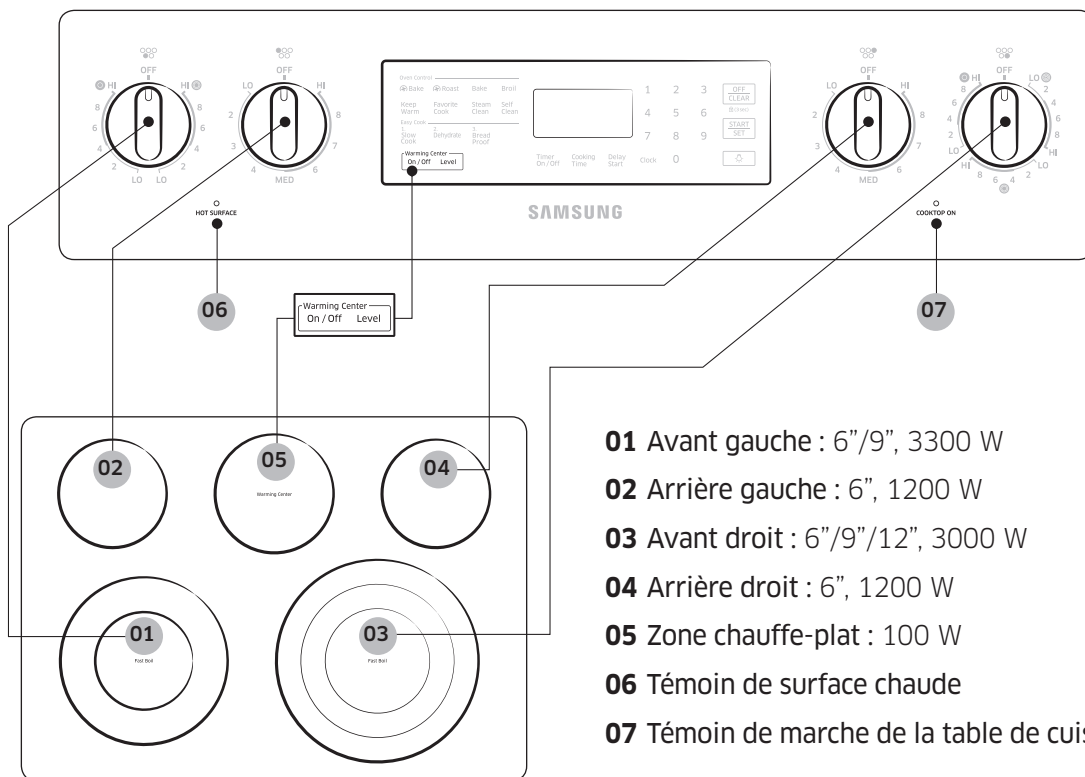
La température augmente de manière progressive et uniforme. À mesure que la température augmente, le foyer radiant devient rouge. Afin que soit conservé le réglage sélectionné, l'élément se met en marche et s'arrête alternativement. L'élément chauffant conserve assez de chaleur pour fournir une température uniforme et constante durant le cycle de désactivation. Pour une cuisson efficace, éteignez l'élément chauffant quelques minutes avant la fin de la cuisson. Ainsi, la chaleur résiduelle permet de terminer le processus de cuisson.

## REMARQUE

Les foyers radiants sont équipés d'un limiteur leur permettant de s'allumer et de s'éteindre, même avec le réglage HI (Élevé). Cela permet d'éviter toute détérioration de la table de cuisson en céramique. L'activation et la désactivation pendant le réglage HI (Elevé) sont normales et se produisent si la casserole est trop petite pour le foyer radiant utilisé ou si le fond de la casserole n'est pas plat.

## Emplacement des foyers radiants et des commandes

Les boutons de commande permettent d'activer les foyers radiants de la table de cuisson comme indiqué ci-dessous.



- 01** Avant gauche : 6"/9", 3300 W
- 02** Arrière gauche : 6", 1200 W
- 03** Avant droit : 6"/9"/12", 3000 W
- 04** Arrière droit : 6", 1200 W
- 05** Zone chauffe-plat : 100 W
- 06** Témoin de surface chaude
- 07** Témoin de marche de la table de cuisson

---

### Témoin de surface chaude

- S'allume lorsque la surface est allumée ou est chaude au toucher.
- Reste allumé même après la mise hors tension du foyer.
- Reste allumé jusqu'à ce que la surface descende à environ 150 °F.

### Zones de cuisson

- Les zones de cuisson de votre cuisinière sont matérialisées par des cercles permanents sur la table de cuisson vitrée. Pour une cuisson plus efficace, utilisez des récipients de même taille que les foyers.
- **Les récipients ne doivent pas dépasser de plus de ½" à 1" la zone de cuisson.**
- Lorsqu'un bouton est activé, une lueur est visible à travers la table de cuisson vitrée. **L'élément s'allume et s'éteint alternativement afin de maintenir la chaleur pré réglée, même lorsque le réglage de température est élevé.**
- Pour obtenir plus d'informations sur la sélection des ustensiles de cuisine appropriés, reportez-vous au chapitre « Utilisation des ustensiles de cuisine appropriés », en page 30.



# Cuisiner sur la table de cuisson

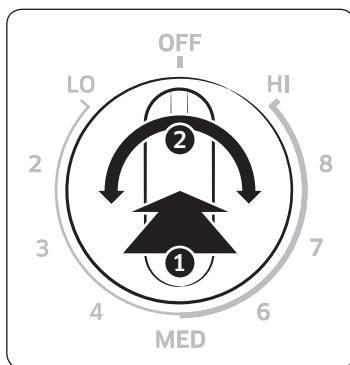
## Comment régler la cuisinière pour utiliser la table de cuisson ?

### ⚠ ATTENTION

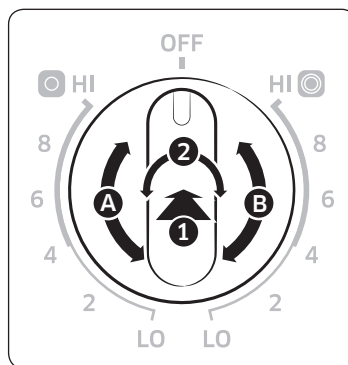
- Les foyers de la table de cuisson peuvent être chauds et provoquer des brûlures. Ne touchez pas les foyers avant qu'ils n'aient suffisamment refroidi.

- Ne laissez jamais la cuisson sans surveillance à température élevée ou moyennement élevée. En cas de débordement, les particules de graisse provenant des aliments risquent de s'enflammer.
- Veillez à tourner le bouton de commande sur **OFF** (DÉSACTIVÉ) à la fin de la cuisson.

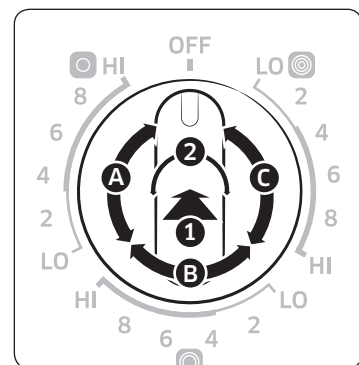
### Bouton de commande de la table de cuisson



Simple  
(arrière gauche, arrière droit)



Double (avant gauche)



Triple (avant droit)

1. Enfoncez le bouton.
2. Tournez dans l'une ou l'autre direction selon le réglage souhaité.
  - Position A : Brûleur simple
  - Position B : Double brûleur
  - Position C : Triple brûleur

### ⚠ ATTENTION

La zone située entre le réglage élevé et désactivé n'est pas adaptée à la cuisson.

### Réglages recommandés

REGLAGE	TYPE DE CUISSON
HIGH (ÉLEVÉ)	Démarrer la cuisson de la plupart des aliments, amener l'eau à ébullition, griller dans une poêle
MEDIUM HIGH (MOYENNEMENT ÉLEVÉE)	Griller rapidement à la poêle, frire, frire dans un bain d'huile
MEDIUM (MOYENNE)	Maintenir à faible ébullition, épaissir des sauces, cuire des légumes à la vapeur
MEDIUM LOW (MOYENNEMENT FAIBLE)	Poursuivre la cuisson, pocher, faire mijoter
LOW (FAIBLE)	Maintenir au chaud les aliments, faire fondre, cuire doucement

## Utilisation de la zone chauffe-plat

La **zone chauffe-plat**, située dans la partie centrale arrière de la surface vitrée, conserve les aliments cuits à température de consommation.

### REMARQUE

**La zone chauffe-plat ne devient pas rouge comme les autres foyers.**

### ATTENTION

- Ne réchauffez pas les aliments pendant plus de deux heures sur la zone chauffe-plat.
- Utilisez uniquement des ustensiles et plats recommandés pour une utilisation sûre dans le four et sur la table de cuisson.
- Utilisez toujours des maniques ou des gants lorsque vous retirez les aliments de la zone chauffe-plat, car les ustensiles et les plats restent chauds.
- Lorsque vous faites chauffer des pâtisseries et du pain, ménagez une ouverture dans le couvercle afin de permettre à la vapeur de s'échapper.
- Les aliments doivent être déjà chauds. La consommation d'aliments crus ou froids placés sur la zone chauffe-plat risque de vous rendre malade.

1. Allumez la zone chauffe-plat.  
Appuyez sur le bouton **Warming Center On/Off** (Activation/Désactivation de la zone chauffe-plat).
2. Sélectionnez la puissance de votre choix.  
En appuyant une fois sur le bouton **Warming Center Level** (Niveau de la zone chauffe-plat), le niveau est réglé sur Lo (Faible). Appuyez deux fois sur le bouton pour régler le niveau sur Med (Moyen) et trois fois pour le régler sur Hi (Élevé).

3. Eteignez la zone chauffe-plat.  
Appuyez sur le bouton **Warming Center On/Off** (Activation/Désactivation de la zone chauffe-plat).

### REMARQUE

- Appuyer sur la touche **CLEAR/OFF** (SUPPRESSION/ARRÊT) ne permet pas d'éteindre la zone chauffe-plat.
- Pour de meilleurs résultats, recouvrez les aliments placés sur la zone chauffe-plat d'un couvercle ou d'un film d'aluminium. Lorsque vous faites chauffer des pâtisseries ou du pain, le couvercle doit être perforé afin de permettre à la vapeur de s'échapper.

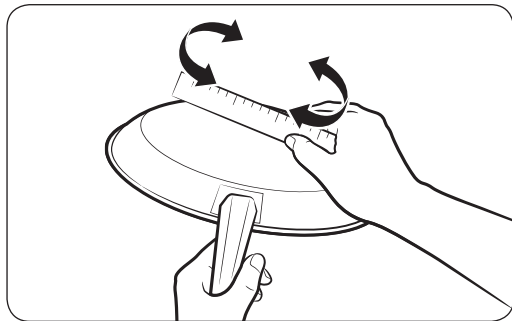
### Réglages recommandés

NIVEAU	TYPE D'ALIMENTS
Lo (Faible)	Pains/pâtisseries, plats mijotés, sauces, œufs
MID (Centre)	Assiettes-repas, soupes (veloutés), légumes, sauces, ragoûts, viandes
Hi (Élevé)	Aliments frits, soupes (bouillons), boissons chaudes

# Cuisiner sur la table de cuisson

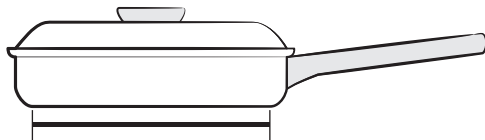
## Utilisation des ustensiles de cuisine appropriés

L'utilisation de l'ustensile de cuisine approprié permet d'éviter de nombreux problèmes tels qu'une cuisson inégale ou un temps de cuisson trop long. Utiliser une casserole adaptée permet de réduire les temps de cuisson et de cuire uniformément les aliments.



Vérifiez que le fond du récipient est plat en faisant tourner une règle dessus.

### APPROPRIÉ

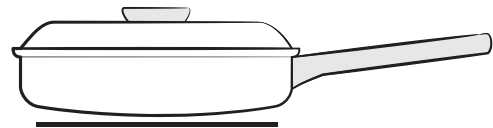


Fond plat et bords droits.

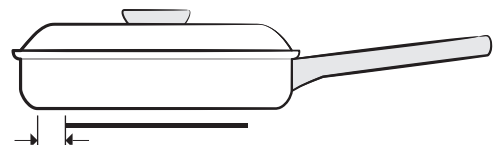
- Couvercles hermétiques.
- Le poids du manche ne fait pas incliner la casserole.
- Casserole bien équilibrée.
- La taille de la casserole est adaptée à la quantité d'aliments à préparer et à la taille du foyer.
- Matériau permettant une bonne conduction de la chaleur.

Le diamètre du récipient doit toujours correspondre à celui du foyer.

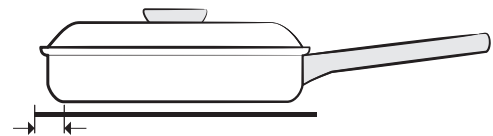
### NON APPROPRIÉ



Fond de casserole bombé et déformé.



La casserole dépasse du foyer de plus d'un pouce et demi.



La casserole est plus petite que le foyer.



Le manche fait incliner la casserole.

---

## Choix des ustensiles de cuisine appropriés

---

Le matériau de l'ustensile de cuisine assure que la chaleur émise par le foyer se propage uniformément et rapidement au fond de la casserole.

- **ALUMINIUM** - Excellent conducteur thermique. Certains types d'aliments font noircir l'aluminium (Les ustensiles en aluminium anodisé résistent aux taches et aux piqûres). Si vous faites glisser des casseroles en aluminium sur la table de cuisson en céramique, des traces métalliques semblables à des rayures peuvent apparaître. Retirez ces traces dès le refroidissement de la table de cuisson.
- **CUIVRE** - Excellent conducteur thermique mais se décolore facilement. Peut laisser des traces métalliques sur la vitrocéramique (voir ci-dessus).
- **INOX** - Conducteur thermique lent entraînant une cuisson inégale. Durable, facile à nettoyer et résistant aux taches.
- **FONTE** - Mauvais conducteur, conserve très bien la chaleur. La cuisson n'est uniforme qu'une fois la température de cuisson atteinte. Son utilisation n'est pas recommandée pour les surfaces de cuisson en céramique.
- **CASSEROLE ÉMAILLÉE** - Les caractéristiques thermiques varient en fonction du matériau de base. Les revêtements en émail vitrifié doivent être lisses afin d'éviter de rayer les surfaces de cuisson en céramique.

- **VERRE** - Conducteur thermique lent. Son utilisation n'est pas recommandée sur les surfaces de cuisson en céramique car il peut rayer la surface.

---

## Protection de la surface lisse

---

### Nettoyage

- Nettoyez la table de cuisson avant de l'utiliser pour la première fois.
- Nettoyez votre table de cuisson quotidiennement ou après chaque utilisation. Ainsi, vous conserverez votre table de cuisson en bon état et éviterez les dommages.
- Si la casserole déborde durant la cuisson, nettoyez immédiatement la zone de cuisson tant qu'elle est chaude ; un nettoyage ultérieur s'avèrerait plus difficile. Nettoyez prudemment les éclaboussures à l'aide d'un chiffon sec.
- Evitez qu'elles ne restent trop longtemps sur la zone de cuisson ou la garniture de la table de cuisson.
- **N'utilisez pas** de poudre à récurer ou de tampon abrasif qui risquerait de rayer la table de cuisson.
- **N'utilisez pas** d'agent de blanchiment chloré, d'ammoniac ou de nettoyant non recommandé pour une utilisation sur une surface en vitrocéramique.

# Cuisiner sur la table de cuisson

---

## Prévention des traces et des rayures

- N'utilisez pas d'ustensiles en verre. Ils pourraient rayer la table de cuisson.
- **Ne placez pas** de grille ou d'anneau wok entre la table de cuisson et la casserole. Ces accessoires sont susceptibles de marquer ou de rayer la table de cuisson.
- Assurez-vous que la table de cuisson et le fond de la casserole sont propres.
- **Ne faites pas** glisser de plats métalliques sur la table de cuisson.

## Prévention des taches

- N'utilisez pas de torchon ou d'éponge sale pour nettoyer la table de cuisson. Un film subsisterait, provoquant des taches sur la table de cuisson après son chauffage.
- Si vous continuez d'utiliser la table de cuisson alors que celle-ci est sale, les taches peuvent devenir définitives.

## Prévention d'autres dommages

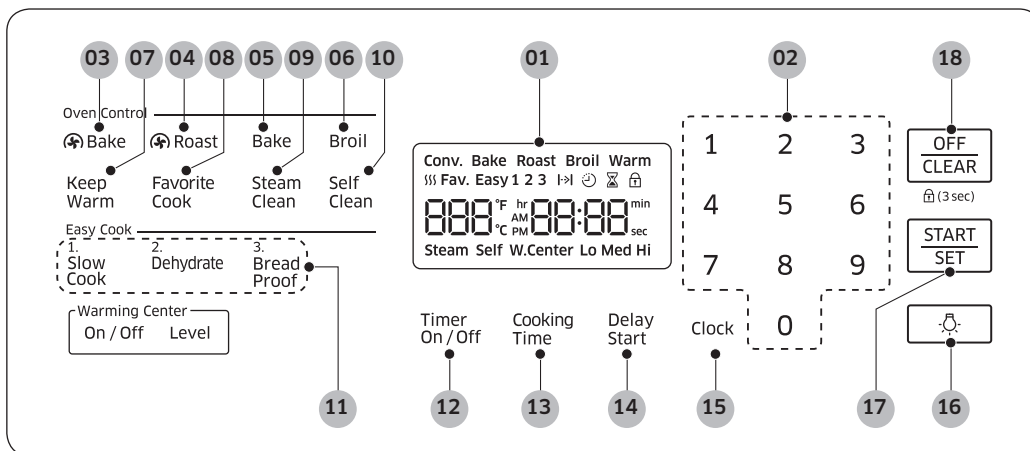
- Evitez de laisser du plastique, du sucre ou des aliments à forte teneur en sucre fondre sur la table de cuisson chaude. Si cela se produit, nettoyez-la immédiatement.
- Ne laissez pas une casserole bouillir jusqu'à évaporation complète. La table de cuisson et la casserole en seraient endommagées.
- **N'utilisez pas** la table de cuisson comme plan de travail ou planche à découper.
- **Ne faites jamais** cuire d'aliments directement sur la table de cuisson. Utilisez toujours des ustensiles de cuisine appropriés.

# Utilisation du four

## Tableau de commande du four

**LISEZ ATTENTIVEMENT LES CONSIGNES D'UTILISATION AVANT DE VOUS SERVIR DU FOUR.**

Afin de profiter au mieux de votre four, familiarisez-vous avec les fonctionnalités décrites ci-dessous. **Vous trouverez un descriptif détaillé de chaque fonction et de chaque caractéristique plus loin dans ce manuel.**



**01 ÉCRAN :** indique l'heure, la température du four, si le four est en mode Bake (Cuisson), Broil (Gril) ou Self-cleaning (Auto-nettoyage) et le temps réglé pour la minuterie ou le fonctionnement automatique.

- ✨ : lorsque vous utilisez la fonction d'auto-nettoyage, cette icône apparaît à l'écran.
- 🌀 : lorsque vous utilisez la fonction de nettoyage vapeur, cette icône apparaît à l'écran.
- ))) : lorsque le four est en préchauffage, cette icône apparaît à l'écran.

**02 PAVÉ NUMÉRIQUE :** sert à régler les fonctions à l'aide de chiffres, notamment l'heure de l'horloge, la minuterie, la température du four, l'heure de début et la durée de la cuisson programmée.

**03 CONVECTION BAKE (CUISSON PAR CONVECTION) :** permet d'activer la fonction de Cuisson par convection dans le four.

**04 CONVECTION ROAST (RÔTISSAGE PAR CONVECTION) :** permet d'activer la fonction de Rôtissage par convection dans le four.

**05 BAKE (CUISSON TRADITIONNELLE) :** permet d'activer la fonction de cuisson traditionnelle dans le four.

**06 BROIL (GRIL) :** permet d'activer la fonction de gril dans le four.

**07 KEEP WARM (MAINTIEN AU CHAUD) :** permet d'activer la fonction de maintien au chaud dans le four pour conserver les aliments cuits au chaud.

**08 FAVORITE COOK (PLATS PRÉFÉRÉS) :** permet d'utiliser ou de rappeler un mode de cuisson favori.

**09 STEAM CLEAN (NETTOYAGE VAPEUR) :** permet d'activer la fonction de nettoyage vapeur dans le four.

# Utilisation du four

- 10 SELF CLEAN (AUTO-NETTOYAGE)** : permet d'activer la fonction d'auto-nettoyage dans le four.
- 11 EASY COOK (CUISSON FACILE)** : permet de rappeler le paramètre de recette pour cuisson facile dans le four.
- 12 TIMER ON/OFF (ACTIVATION/ DÉSACTIVATION DE LA MINUTERIE)** : permet de régler ou de désactiver la minuterie. La minuterie ne démarre pas ou arrête la table de cuisson.
- 13 COOKING TIME (TEMPS DE CUISSON)** : appuyez sur cette touche, puis utilisez le pavé numérique et définissez le temps de cuisson que vous souhaitez pour vos aliments. Le four s'éteint une fois le temps de cuisson écoulé.
- 14 DELAY START (DÉPART DIFFÉRÉ)** : permet de régler le départ et l'arrêt automatique du four selon l'heure définie. (Bake (Cuisson traditionnelle), Conv. bake (Cuisson par conv.), Conv. Roast (Rôtissage par conv.), Cooking Time (Temps de cuisson) et Self Clean (Auto-nettoyage) uniquement.)
- 15 CLOCK (HORLOGE)** : permet de régler l'heure.
- 16 LAMP (LAMPE)** : permet d'allumer ou d'éteindre l'éclairage du four.
- 17 START/SET (DÉMARRAGE/RÉGLAGE)** : permet de démarrer un programme de cuisson ou de nettoyage dans le four.
- 18 OFF/CLEAR (DÉSACTIVATION/ANNULATION)** : Permet d'annuler tous les programmes en cours, à l'exception de l'horloge et de la minuterie.

## Réglage de l'horloge

L'**horloge** doit être réglée sur l'heure correcte afin que la minuterie automatique du four fonctionne correctement.

- L'heure ne peut pas être modifiée durant la cuisson minutée, la cuisson minutée différée ou le cycle d'auto-nettoyage.
- Vous pouvez afficher l'heure au format 12 ou 24 heures. Par défaut, l'heure s'affiche au format 12 heures.

### Comment régler l'horloge ?

1. Démarrez le réglage.  
Appuyez sur **Clock** (Horloge).
2. Saisissez l'heure actuelle en heures et minutes à l'aide du pavé numérique (ex. : 1, 3, 0 pour 1h30).
3. Appuyez sur **Clock** (Horloge) ou sur **START/SET** (DÉMARRAGE/RÉGLAGE) pour enregistrer les modifications.

### Comment passer du format 12 heures au format 24 heures ?

1. Appuyez simultanément sur **Broil** (Gril) et sur la touche **4** du pavé numérique pendant 3 secondes.  
Le format actuel s'affiche (ex. : 12 heures).
2. Sélectionnez le format d'affichage de votre choix.  
Appuyez sur la touche **0** du pavé numérique pour sélectionner 12 heures ou 24 heures.
3. Appuyez sur **START/SET** (DÉMARRAGE/RÉGLAGE) pour enregistrer les modifications.

## Réglage de la minuterie

La minuterie émet un signal sonore une fois que le temps réglé est écoulé. Elle ne permet pas de démarrer ou d'arrêter les fonctions de cuisson. Vous pouvez utiliser la minuterie avec toutes les autres fonctions du four.

### Comment régler la minuterie ?

1. Activez la minuterie.  
Appuyez sur **Timer On/Off** (Activation/Désactivation de la minuterie).
2. Saisissez la durée souhaitée.  
Saisissez la durée de votre choix à l'aide du pavé numérique (ex. : 1, 5). Vous pouvez régler la minuterie pour une durée comprise entre 1 minute et 9 heures et 99 minutes. Si vous commettez une erreur, appuyez sur **Timer On/Off** (Activation/Désactivation de la minuterie) et saisissez à nouveau la durée.
3. Lancez la minuterie.  
Appuyez sur **Timer On/Off** (Activation/Désactivation de la minuterie).
4. Une fois le temps réglé écoulé, le four émet un signal sonore et le message End (Fin) reste affiché jusqu'à ce que vous appuyiez sur **Timer On/Off** (Activation/Désactivation de la minuterie). Vous pouvez annuler la minuterie à tout moment en appuyant sur **Timer On/Off** (Activation/Désactivation de la minuterie).

## Cuisson minutée

Durant la cuisson minutée, le four s'allume immédiatement et fonctionne pendant la durée que vous avez sélectionnée. À la fin du temps de cuisson, le four s'éteint automatiquement.

- Vous ne pouvez utiliser la fonction de cuisson minutée qu'en parallèle avec une autre option de cuisson (Cuisson traditionnelle, Cuisson par convection, Rôtissage par convection, Cuisson lente, Déshydratation ou Cuisson favorite).
4. Saisissez le temps de cuisson de votre choix (ex. : 45 min) à l'aide du pavé numérique.  
Pour régler le temps de cuisson, sélectionnez une durée comprise entre 1 minute et 9 heures 99 minutes.
  5. Appuyez sur **START/SET** (DÉMARRAGE/RÉGLAGE) pour démarrer la cuisson. La température affichée change dès que le four atteint 175 °F.  
Le four poursuit la cuisson jusqu'à ce que le temps défini se soit écoulé, puis s'éteint automatiquement sauf si vous avez activé la fonction de maintien au chaud. (reportez-vous au chapitre relatif à la fonction de maintien au chaud, page 45).
1. Démarrez le réglage.  
Appuyez sur la touche correspondant à la cuisson de votre choix, par exemple **Bake** (Cuisson).  
La température par défaut est de 350 °F.
  2. Saisissez la température de votre choix (ex. : 375 °F) à l'aide du pavé numérique.
  3. Appuyez sur **Cooking Time** (Temps de cuisson).



# Utilisation du four

6. Vous pouvez annuler un temps de cuisson à tout moment en réglant le temps de cuisson sur 0 min. (Appuyez sur **Cooking Time** (Temps de cuisson) -> saisissez **0** -> appuyez sur **START/SET** (DÉMARRAGE/RÉGLAGE))

★ Lorsque la cuisson minutée est terminée, la cuisinière émet un signal sonore 10 fois.

## ⚠ ATTENTION

Faites attention avec les fonctions de **cuisson minutée** ou de **départ différé**. Utilisez ces

fonctions pour la cuisson des viandes salées ou surgelées ainsi que de la plupart des fruits et légumes. Les aliments pouvant s'altérer facilement (ex. : lait, œufs, poisson, viande ou volaille) doivent sortir directement du réfrigérateur. Même réfrigérés, ces aliments ne doivent pas reposer au four pendant plus d'une heure avant le démarrage de la cuisson. De plus, ils doivent être retirés rapidement une fois la cuisson terminée. La consommation d'aliments gâtés peut entraîner des maladies liées à un empoisonnement alimentaire.

## Départ différé

Durant la cuisson minutée différée, la minuterie du four permet d'allumer et d'éteindre le four aux heures que vous avez sélectionnées préalablement.

- Vous ne pouvez utiliser la fonction de départ différé qu'en parallèle avec une autre option de cuisson (Cuisson traditionnelle, Cuisson par convection, Rôtissage par convection, Cuisson lente, Déshydratation ou Cuisson favorite).
  - Vous pouvez régler le four pour un départ différé avant de régler les autres options de cuisson.
  - L'horloge doit être réglée sur l'heure actuelle.
3. À l'aide du pavé numérique, saisissez la température de votre choix (ex. : 375 °F).
  4. Appuyez sur **Cooking Time** (Temps de cuisson).
  5. Saisissez le temps de cuisson de votre choix (ex. : 45 min) à l'aide du pavé numérique. Pour régler le temps de cuisson, sélectionnez une durée comprise entre 1 minute et 9 heures 99 minutes.

## Comment régler le four pour le départ différé ?


1. Positionnez la ou les grilles du four sur la hauteur appropriée et enfournez les aliments.
2. Démarrez le réglage.  
Appuyez sur la touche correspondant à la cuisson de votre choix, par exemple **Bake** (Cuisson). La température par défaut est de 350 °F.

6. Appuyez sur **Delay Start** (Départ différé).
7. Saisissez l'heure à laquelle vous souhaitez que le four s'allume (ex. : 4h30) à l'aide du pavé numérique.
8. Appuyez sur **START/SET** (DÉMARRAGE/RÉGLAGE).  
À l'heure réglée, un court signal sonore retentit. Le four commence alors à chauffer.

---

## Activation et désactivation de l'éclairage du four

---







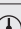


- L'éclairage du four s'allume automatiquement à l'ouverture de la porte.
- L'éclairage du four s'éteint automatiquement à la fermeture de la porte.
- Vous pouvez activer et désactiver l'éclairage du four manuellement en appuyant sur .

---

## Réglages minimum et maximum

---

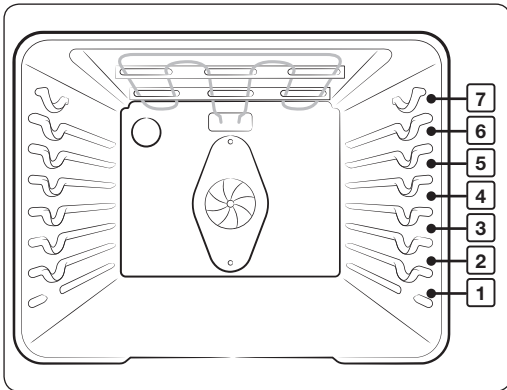
Toutes les fonctions listées dans le tableau ci-dessous ont un réglage minimum et un réglage maximum de la durée ou de la température. Un signal sonore retentit chaque fois que vous appuyez sur une touche et que la saisie est validée. Un signal d'erreur retentit sous la forme d'un signal sonore prolongé si une température ou une durée inférieure au réglage minimum ou supérieure au réglage maximum de la fonction est saisie.

FONCTION	MINIMUM	MAXIMUM
 Bake (Cuisson traditionnelle)	175 °F (80 °C)	550 °F (285 °C)
 Broil (Gril)	LO (FAIBLE)	HI (ÉLEVÉE)
 Convection Bake (Cuisson par convection)	175 °F (80 °C)	550 °F (285 °C)
 Convection Roast (Rôtissage par convection)	175 °F (80 °C)	550 °F (285 °C)
 Warming Center (Zone chauffe-plat)	-	3 h
 Keep Warm (Maintien au chaud)	-	3 h
 Proof (Levée)	-	12 h
 Self Clean (Auto-nettoyage)	2 h	5 h
 Steam Clean (Nettoyage vapeur)	20 min.	20 min.

# Utilisation du four

## Utilisation des grilles du four

### Hauteurs de grille

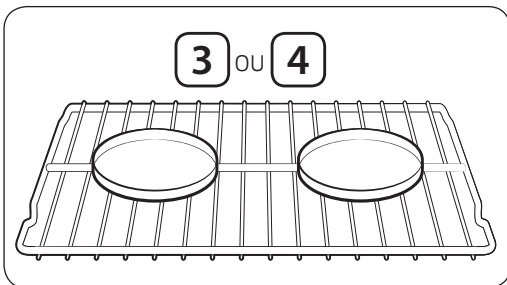


Position recommandée de la grille pour la cuisson

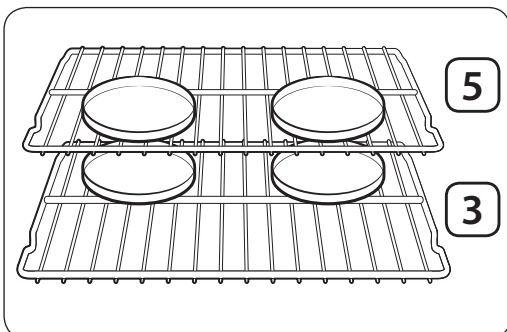
Type d'aliment	Hauteur de grille
Cuisson d'hamburgers au grill	<b>7</b>
Cuisson au grill de viandes ou de petits morceaux de volaille, poisson	<b>5-7</b>
Couronne, quatre-quarts, tourtes surgelées, plats mijotés	<b>4 ou 3</b>
Gâteaux des anges, petits rôtis	<b>2</b>
Dinde, gros rôtis, jambons, pizza fraîche	<b>1</b>

- Ce tableau n'est communiqué qu'à titre indicatif.

### Emplacement de la grille et des plats



Grille unique



Grilles multiples

Positionnez les moules à gâteaux le plus au centre possible du four pour assurer de meilleurs résultats. Si vous utilisez plusieurs moules, espacez-les d'au moins 1" à 1½".

Lorsque vous cuisinez sur une seule grille du four, placez-la en **position 3** ou **4**. Reportez-vous à la figure sur la gauche.

Si vous faites cuire des gâteaux et cookies sur plusieurs grilles, placez-les aux **positions 3** et **5**. Reportez-vous à la figure sur la gauche.

### Utilisation de plusieurs grilles de four

Type de cuisson	Hauteurs des grilles
Gâteaux et cookies	3 et 5

## Avant d'utiliser les grilles

Le four est équipé de deux grilles. Chacune comporte une butée qui doit être correctement installée sur son support. Les butées empêchent la grille de sortir complètement de son logement.

### RETRAIT DES GRILLES

1. Tirez la grille horizontalement vers l'extérieur jusqu'à ce qu'elle bute.
2. Soulevez l'avant de la grille, puis retirez-la.

## Cuisson

Le four peut être programmé pour cuire à toute température comprise entre 175 °F et 550 °F. La température et le temps de cuisson varient en fonction des ingrédients, ainsi que de la taille et de la forme du plat de cuisson utilisé. Les revêtements sombres ou antiadhésifs peuvent permettre de cuire les aliments plus rapidement avec plus de brunissement.

### Comment régler la température ?


1. Démarrez le réglage.  
Appuyez sur **Bake** (Cuisson traditionnelle). La température par défaut est de 350 °F.
2. Saisissez la température de votre choix à l'aide du pavé numérique (ex. : 3, 7, 5).
3. Lancez la fonction de cuisson traditionnelle.  
Appuyez sur **START/SET** (DÉMARRAGE/RÉGLAGE). La température affichée change dès que le four atteint 175° F.
4. Si vous souhaitez annuler la cuisson ou si vous avez terminé, appuyez sur **OFF/CLEAR** (DÉSACTIVATION/ANNULATION).

### RÉINSERTION DES GRILLES

1. Posez l'extrémité de la grille sur le support.
2. Inclinez l'extrémité avant vers le haut et insérez la grille.

### ATTENTION

- Ne couvrez pas une grille de papier d'aluminium. Ne posez pas de papier d'aluminium au fond du four. Cela empêcherait la circulation de l'air, ce qui altérerait la cuisson et endommagerait la sole du four.
- Disposez les grilles du four uniquement lorsque le four est froid.

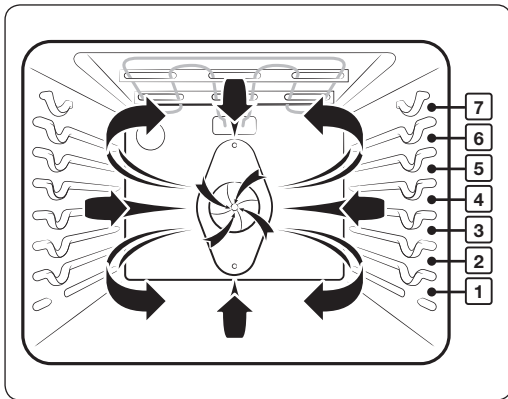
 Si la recette l'indique, enfournez la nourriture une fois le four préchauffé. Le préchauffage assure de bons résultats pour la cuisson de gâteaux, biscuits, pâte et petits pains. Une fois la température souhaitée atteinte dans le four, la cuisinière émet un signal sonore 6 fois.

### Comment régler le thermostat en cours de cuisson ?

1. Démarrez le réglage.  
Appuyez sur **Bake** (Cuisson traditionnelle). La température actuelle s'affiche (ex. : 375 °F).
2. Saisissez la température de votre choix (ex. : 425 °F) à l'aide du pavé numérique.
3. Terminez la saisie en appuyant sur **START/SET** (DÉMARRAGE/RÉGLAGE).

# Utilisation du four

## Cuisson par convection



La fonction de cuisson par convection permet d'accélérer la cuisson. Vous pouvez programmer la cuisson par convection pour toute température comprise entre 175 °F et 550 °F. Lors de la cuisson par convection, un ventilateur permet de faire circuler la chaleur de façon homogène et continue dans le four. Cette distribution efficace de la chaleur vous permet d'obtenir une cuisson homogène et excellente lorsque vous utilisez plusieurs grilles dans le même temps. Les aliments cuits sur une seule grille cuisent en général plus vite et de façon plus homogène en mode de cuisson par convection. La cuisson sur plusieurs grilles nécessite généralement des temps de cuisson plus importants pour certains aliments. Mais en définitive, elle permet des gains de temps. Les pains et pâtisseries dorent plus uniformément.

### Conseils pour la cuisson par convection

Le temps gagné dépend de la quantité et du type d'aliments que vous cuisinez. Pour cuire des petits gâteaux ou des biscuits, utilisez de préférence des plats sans rebords ou dont les rebords sont très bas afin que l'air chauffé circule autour de la nourriture. L'utilisation d'un moule à revêtement foncé réduit le temps de cuisson.

Lorsque vous cuisez des aliments par convection sur une seule grille, placez cette dernière sur la **position 3** ou **4**. Si vous utilisez plusieurs grilles, placez-les aux **positions 3 et 5**.

Lorsque vous cuisez des gâteaux, le mode Bake (Cuisson traditionnelle) offre de meilleurs résultats.

## Comment régler le four pour la cuisson par convection ?

1. Lancez le mode de cuisson par convection. Appuyez sur **Bake** (Cuisson traditionnelle). La température par défaut est de 350 °F.
2. Saisissez la température de votre choix (ex. : 400 °F) à l'aide du pavé numérique.
3. Appuyez sur **START/SET** (DÉMARRAGE/RÉGLAGE) pour démarrer la cuisson par convection.  
Conv. Bake (Cuisson par convection) ainsi que la température réglée (ex. : 400 °F) s'affichent pendant 2 secondes.  
La température affichée change dès que le four atteint 175 °F.  
La cuisinière émet un signal sonore 6 fois lorsque le four atteint la température ajustée.
4. Pour désactiver ou annuler la cuisson par convection, appuyez sur **OFF/CLEAR** (DÉSACTIVATION/ANNULATION).

- ★ La ventilation de la cuisson par convection se désactive dès que la porte du four est ouverte.  
ÉVITEZ de laisser la porte ouverte pendant une période prolongée lorsque vous utilisez la cuisson par convection. Sinon, vous réduisez la durée de vie de l'élément de chauffe par convection.

## Rôtissage par convection

Le rôtissage par convection est conseillé pour la cuisson de morceaux de viande très tendres qu'il faut préparer sans couvrir.

La chaleur provient de l'élément chauffant supérieur. Le ventilateur de convection distribue l'air chauffé de manière uniforme sur la nourriture et autour. La viande et la volaille sont dorées de toute part, comme après une cuisson en rôtissoire. L'air chauffé se mélange rapidement au jus pour une cuisson moelleuse et tendre du morceau tout en dorant parfaitement l'extérieur.

## Comment régler le four pour le rôtissage par convection ?

1. Lancez le mode de rôtissage par convection. Appuyez sur **Roast** (Rôtissage). La température par défaut est de 350 °F.
2. Saisissez la température de votre choix (ex. : 400 °F) à l'aide du pavé numérique.
3. Appuyez sur **START/SET** (DÉMARRAGE/RÉGLAGE) pour démarrer le rôtissage par convection.  
Conv. Roast (Rôtissage par convection) ainsi que la température du four réglée (ex. : 400 °F) s'affichent pendant 2 secondes. La température affichée change dès que le four atteint 175 °F. La cuisinière émet un signal sonore 6 fois lorsque le four atteint la température ajustée.
4. Pour désactiver ou annuler le rôtissage par convection, appuyez sur **OFF/CLEAR** (DÉSACTIVATION/ANNULATION).

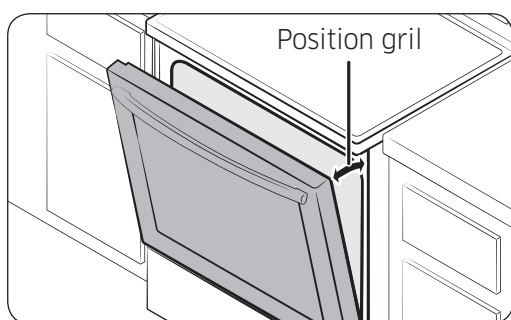
- ★ La ventilation de la cuisson par convection se désactive dès que la porte du four est ouverte.  
ÉVITEZ de laisser la porte ouverte pendant une période prolongée lorsque vous utilisez la cuisson par convection. Sinon, vous réduisez la durée de vie de l'élément de chauffe par convection.

# Utilisation du four

## Cuisson au gril

Le mode de cuisson au gril est le mode le plus adapté aux viandes, aux poissons et à la volaille d'une épaisseur maximale de 1". La cuisson au gril est une méthode de cuisson des morceaux de viande tendres utilisant la chaleur directe sous le gril du four. La chaleur élevée permet de cuire plus rapidement et permet de brunir les aliments.

### Position gril



Laissez la porte entrouverte sur la position gril. Elle reste ouverte toute seule, ce qui n'empêche pas la température d'être maintenue à l'intérieur du four.

### ⚠ ATTENTION

En cas d'incendie à l'intérieur du four, fermez la porte du four et éteignez-le. Si les flammes ne s'éteignent pas, versez-y du bicarbonate de soude ou utilisez un extincteur à mousse. Ne versez ni eau ni farine sur le feu. La farine risque d'entraîner des explosions et l'eau risque d'aggraver l'incendie.

### Comment régler le four pour la cuisson au gril ?

1. Sélectionnez le réglage de votre choix pour le gril.  
Appuyez une fois sur **Broil** (Cuisson au gril) pour Hi (Élevé) et deux fois pour Lo (Faible).  
Sélectionnez Lo (Faible) pour cuire des aliments tels que de la volaille ou des morceaux épais de viande sans risquer de trop les brunir.
2. Démarrez la fonction Gril.  
Appuyez sur **START/SET** (DÉMARRAGE/RÉGLAGE).  
Faites cuire un premier côté au gril jusqu'à ce qu'il dore. Retournez et faites griller le deuxième côté.

3. Appuyez sur **OFF/CLEAR** (DÉSACTIVATION/ANNULATION) à la fin de la cuisson ou si vous souhaitez annuler la cuisson au gril.

## Guide de recommandations concernant la cuisson au grill

Les temps de cuisson au grill dépendent de la taille, du poids, de l'épaisseur, de la température de départ ainsi que de vos préférences de cuisson.

Ce guide se base sur des viandes sortant du réfrigérateur.

Utilisez toujours une lèchefrite et sa grille pour une cuisson au grill.

Préchauffez toujours le four pendant 5 minutes avant une cuisson au grill.

Aliment	Cuisson	Dimensions	Épaisseur	Réglage du grill	Hauteur de grille	Temps de cuisson (minutes)	
						1er côté	2ème côté
Hamburgers	À point	9 boulettes	1"	HI (ÉLEVÉE)	7	03:40	02:40
	À point	9 boulettes	¾"	HI (ÉLEVÉE)	7	03:20	02:20
Toast	-	9 parts	-	HI (ÉLEVÉE)	7	00:32	00:30
	-	9 parts	-	HI (ÉLEVÉE)	6	01:00	00:45
Biftecks	Saignant	-	1"	HI (ÉLEVÉE)	7	3:00 à 3:30	2:00 à 2:30
	À point	-	1"	HI (ÉLEVÉE)	6	4:30 à 5:00	3:30 à 4:00
	Bien cuit	-	1"	HI (ÉLEVÉE)	5	8:00 à 9:00	6:00 à 7:00
	Saignant	-	1½"	HI (ÉLEVÉE)	7	3:30 à 4:00	2:30 à 3:00
	À point	-	1½"	HI (ÉLEVÉE)	6	5:30 à 6:00	4:30 à 5:00
	Bien cuit	-	1½"	HI (ÉLEVÉE)	5	12:00 à 14:00	10:00 à 12:00
Morceaux de poulet	Bien cuit	4,5 li.	¾" à 1"	LO (FAIBLE)	4	18:00 à 20:00	16:00 à 18:00
	Bien cuit	2-2½ lbs.	¾" à 1"	LO (FAIBLE)	4	15:00 à 18:00	13:00 à 16:00
Côtelettes de porc	Bien cuit	1 lb.	½"	HI (ÉLEVÉE)	5	8:00 à 8:30	6:30 à 7:00
Côtelettes d'agneau	À point	10 oz.	1"	LO (FAIBLE)	4	5:00 à 6:00	4:00 à 5:00
	Bien cuit	1 lb.	1½"	LO (FAIBLE)	4	7:00 à 8:00	6:00 à 7:00
Filets de poisson	Bien cuit	-	¼ à ½"	LO (FAIBLE)	5	5:00 à 7:00	4:00 à 5:00
Tranches de jambon (précuites)	-	-	½"	HI (ÉLEVÉE)	4	4:00 à 5:00	3:00 à 4:00



# Utilisation du four

## Utilisation de la fonction Cuisson facile

### Cuisson lente

La fonction Slow Cook (Cuisson lente) peut être utilisée pour cuire les aliments plus lentement à une température plus basse. Un temps de cuisson plus long permet une meilleure diffusion des arômes dans de nombreuses recettes. Cette fonction est idéale pour faire rôtir du bœuf, du porc et de la volaille. La cuisson lente de la viande peut lui donner un aspect foncé sans qu'elle soit brûlée. Ceci est tout à fait normal.

1. Appuyez une fois sur **Slow Cook** (Cuisson lente) pour Hi (Élevé) et deux fois pour Lo (Faible).
2. Appuyez sur **START/SET** (DÉMARRAGE/RÉGLAGE).

#### REMARQUE

Utilisez une seule grille et placez-la sur la position 1 ou 2 pour obtenir des résultats optimaux. Le préchauffage du four n'est pas nécessaire.

### Déshydratation des aliments

Déshydrate les aliments ou retire l'humidité des aliments via la circulation de la chaleur. Une fois que les aliments sont déshydratés, conservez-les dans un endroit frais et sec. Pour des fruits, ajoutez du jus de citron (ou d'ananas) ou saupoudrez du sucre sur les fruits pour qu'ils conservent leur caractère sucré.

1. Appuyez sur **Dehydrate** (Déshydratation). La température par défaut est de 150 °F.
2. Saisissez la température souhaitée à l'aide du pavé numérique. (100 °F à 175 °F)
3. Appuyez sur **START/SET** (DÉMARRAGE/RÉGLAGE).

Catégorie	Hauteur de grille	Température (°F)
Légumes ou fruits	3 ou 4	100-150
Viande	3 ou 4	145-175

### Bread Proof (Pain précuit)

La fonction Bread Proof (Pain précuit) fournit automatiquement la température optimale pour le processus de levée du pain. Par conséquent, aucun réglage de température n'est nécessaire.

Si vous appuyez sur la touche **Bread Proof** (Pain précuit) alors que la température du four est supérieure à 100 °F, l'indication Hot (Chaud) s'affiche à l'écran. Pour assurer des résultats optimaux, il est préférable de démarrer cette fonction à four froid. C'est pourquoi, nous vous conseillons d'attendre que le four ait refroidi et que l'indication Hot (Chaud) disparaisse de l'affichage.

1. Appuyez sur **Bread Proof** (Pain précuit).
2. Appuyez sur **START/SET** (DÉMARRAGE/RÉGLAGE).
3. Appuyez sur **OFF/CLEAR** (DÉSACTIVATION/ANNULATION) à tout moment pour désactiver la fonction Pain précuit.

#### REMARQUE

Placez la grille en position 3 pour précuire du pain.

#### REMARQUE

- Le temps de séchage dépend de la teneur en humidité des aliments, de leur taille et du taux d'humidité dans l'air.
- Il n'est pas nécessaire de faire préchauffer le four.

## Utilisation de la fonction Cuisson favorite

La fonction Favorite cook (Cuisson favorite) vous permet d'enregistrer jusqu'à 3 recettes pré-réglées. Vous pouvez utiliser la fonction de cuisson favorite pour la cuisson, la cuisson par convection ou le rôtissage par convection. Elle est incompatible avec toute autre fonction, y compris le départ différé.

### Comment enregistrer une recette pré-réglée ?

1. Appuyez sur la touche correspondant à la cuisson de votre choix que vous voulez mémoriser, par exemple **Bake** (Cuisson traditionnelle). La température par défaut est de 350 °F.
2. À l'aide du pavé numérique, saisissez la température de votre choix (ex. : 375 °F).
3. Appuyez sur **Cooking Time** (Temps de cuisson).
4. Saisissez le temps de cuisson de votre choix (ex. : 45 min) à l'aide du pavé numérique.
5. Vous pouvez mémoriser une recette dans l'une des trois positions de cuisson favorite. Appuyez sur **Favorite Cook** (Cuisson favorite) le nombre de fois correspondant à la position à laquelle vous souhaitez mémoriser le paramètre.  
Par exemple, pour une **Favorite Cook** (Cuisson favorite) en position 2, appuyez deux fois sur **Favorite Cook** (Cuisson favorite).  
Les recettes pré-réglées peuvent être mémorisées aux positions 1, 2 ou 3.
6. Appuyez sur **START/SET** (DÉMARRAGE/RÉGLAGE).

### Comment appeler un réglage?

1. Appuyez sur **Favorite Cook** (Cuisson favorite) le nombre de fois correspondant à la position à laquelle vous souhaitez mémoriser la recette paramétrée. Par exemple, pour une cuisson favorite en position 2, appuyez deux fois sur **Favorite Cook** (Cuisson favorite).

2. Démarrez la cuisson mémorisée.  
Appuyez sur **START/SET** (DÉMARRAGE/RÉGLAGE).

## Utilisation de la fonction de maintien au chaud

La fonction de maintien au chaud permet de conserver des aliments cuits au chaud jusqu'à 3 heures après leur cuisson en vue de les servir.

Au bout de 3 heures, le four s'éteint automatiquement. Cette fonction peut être utilisée indépendamment de toute autre cuisson et, moyennant un réglage, peut s'activer directement après la cuisson minutée ou différée.

N'utilisez pas cette fonction pour faire réchauffer des aliments froids.

### Comment utiliser la fonction de maintien au chaud ?

1. Appuyez sur **Keep Warm** (Maintien au chaud).
2. Appuyez sur **START/SET** (DÉMARRAGE/RÉGLAGE).
3. Appuyez sur **OFF/CLEAR** (DÉSACTIVATION/ANNULATION) à tout moment pour désactiver la fonction.

### Comment activer le mode de maintien au chaud après la cuisson minutée ?

1. Réglez le four pour **Timed cooking** (Cuisson minutée).  
(Reportez-vous au chapitre relatif à la fonction de cuisson minutée, pages 35 et 36.)
2. Appuyez sur **Keep Warm** (Maintien au chaud) avant d'appuyer sur **START/SET** (DÉMARRAGE/RÉGLAGE) pour commencer la cuisson.
3. Appuyez sur **OFF/CLEAR** (DÉSACTIVATION/ANNULATION) à tout moment pour désactiver la fonction.


# Utilisation du four

## Utilisation de la fonction Shabbat

(Utilisée pour les fêtes et le Shabbat juifs)



**Pour en savoir plus et obtenir des instructions d'utilisation et une liste complète des modèles avec la fonction Shabbat, veuillez visiter le site Web sur <http://www.star-k.org>.**

Vous pouvez utiliser la fonction Shabbat avec la cuisson uniquement. La température du four peut être définie comme plus haute ou plus basse après avoir réglé la fonction Shabbat. (La fonction de réglage de la température du four ne doit être utilisée que pendant les fêtes juives.) Cependant, l'affichage ne change pas et les signaux sonores ne sont pas émis lors des changements. Une fois la fonction Shabbat correctement activée pour la cuisson, le four reste allumé jusqu'à l'annulation de la fonction. Ce réglage écrase la fonction d'économie d'énergie après 12 heures, qui est réglée par défaut. Si vous souhaitez allumer l'éclairage du four durant le Shabbat, appuyez sur  avant d'activer la fonction Shabbat. Une fois l'éclairage allumé et la fonction Shabbat activée, le four reste allumé jusqu'à l'arrêt de la fonction Shabbat. Si vous souhaitez éteindre l'éclairage, veuillez à désactiver l'éclairage du four avant d'activer la fonction Shabbat.

Comment utiliser la fonction Shabbat ?

1. Appuyez sur **Bake** (Cuisson traditionnelle). La température par défaut est de 350 °F.
2. Saisissez la température de votre choix (ex. : 375 °F) à l'aide du pavé numérique.
3. Appuyez sur **START/SET** (DÉMARRAGE/RÉGLAGE). La température affichée change dès que le four atteint 175° F.
4. Appuyez simultanément sur **Bake** (Cuisson traditionnelle) et sur **1** pendant 3 secondes. L'écran affiche alors **SAb** (Shabbat). Une fois que l'indication SAb (Shabbat) est affichée, le four n'émet pas de signal sonore et l'affichage reste inchangé. Vous pouvez modifier la température du four une fois la cuisson commencée. N'oubliez pas que le four n'émet pas de signal sonore et que l'affichage reste inchangé une fois la fonction Shabbat activée.
5. Vous pouvez éteindre le four à tout moment en appuyant sur **OFF/CLEAR** (DÉSACTIVATION/ANNULATION). Ainsi, seul le four s'éteint. Si vous désactivez la fonction Shabbat, appuyez simultanément sur **Bake** (Cuisson traditionnelle) et sur **1** pendant 3 secondes. L'indication SAb (Shabbat) n'est plus affichée.

- 
- ✪ Il est déconseillé d'activer un programme autre que la fonction BAKE (CUISSON) pendant que la fonction Shabbat est activée. Seules les touches suivantes fonctionnent correctement en parallèle avec la fonction Shabbat : **PAVÉ NUMÉRIQUE, BAKE** (CUISSON TRADITIONNELLE), **START/SET** (DÉMARRAGE/RÉGLAGE) et **OFF/CLEAR** (DÉSACTIVATION/ANNULATION). **TOUTES LES AUTRES TOUCHES** ne doivent pas être utilisées tant que la fonction Shabbat est activée.
  - ✍ Vous pouvez modifier la température du four, mais l'affichage restera le même et aucun signal sonore ne retentira au moment des changements. (La fonction de réglage de la température du four ne doit être utilisée que pendant les fêtes juives.) Après avoir changé la température alors que l'appareil est en mode Shabbat, l'appareil ne reconnaît le changement qu'après un délai de 15 secondes environ.
  - ✍ Vous pouvez régler la fonction du temps de cuisson avant d'activer la fonction Shabbat.
  - ✍ En cas de coupure de courant ou d'interruption, le four s'éteint. Lors de la remise sous tension, le four ne se rallume pas automatiquement. SAb (Shabbat) s'affiche à l'écran de commande du four, mais le four ne fonctionne pas. Vous pouvez retirer les aliments du four tout en restant en mode Shabbat, cependant le four ne peut pas se rallumer après le Shabbat/Vacances. Lorsque le Shabbat est terminé, désactivez le mode Shabbat. Appuyez simultanément sur **BAKE** (CUISSON TRADITIONNELLE) et sur **1** pendant au moins 3 secondes pour désactiver le mode Shabbat. Le four peut ainsi être à nouveau utilisé avec toutes les fonctions normales.
  - ✪ N'ouvrez pas la porte du four ni ne changez pas la température du four pendant environ 30 minutes après avoir lancé le mode Shabbat afin que le four atteigne la température spécifiée. Notez que, pour de meilleures performances, le ventilateur du four ne fonctionne que lorsque la température du four augmente.
  - ✍ N'utilisez pas la table de cuisson lorsque le four est en MODE Shabbat.

# Utilisation du four

## Fonctions complémentaires

### Réglage du thermostat

Les températures sont réglées par défaut. Lorsque vous utilisez votre four pour la première fois, veillez à respecter les temps et températures de cuisson. Si vous pensez que la température est trop élevée ou trop basse, vous pouvez la régler une nouvelle fois. Avant de la régler, essayez une recette en sélectionnant une température supérieure ou inférieure à celle recommandée. Les résultats de cuisson devraient vous indiquer si un nouveau réglage est nécessaire ou non. La température du four peut être réglée à  $\pm 35^\circ\text{F}$  ( $\pm 19^\circ\text{C}$ ).

#### Comment régler la température du four ?

1. Appuyez simultanément sur **Broil** (Gril) et sur **1** pendant 3 secondes. L'écran affiche **AdJ 0**.
2. Saisissez la température de votre choix (ex. :  $20^\circ\text{F}$ ) à l'aide du pavé numérique. Vous pouvez ajuster la température de sorte qu'elle soit inférieure au réglage d'usine en appuyant sur **Broil** (Gril).
3. Appuyez sur **START/SET** (DÉMARRAGE/RÉGLAGE).

#### REMARQUE

Ce réglage n'affecte en rien les températures de la cuisson au gril ou du cycle d'auto-nettoyage. Le réglage sera conservé en mémoire même après une coupure de courant.

### Sélection de la température en Fahrenheit ou Celsius

Le four peut être programmé pour afficher la température en degrés Fahrenheit ou Celsius. Par défaut, le four est réglé pour que la température s'affiche en degrés Fahrenheit.

#### Comment passer des degrés Fahrenheit aux degrés Celsius et inversement ?

1. Appuyez simultanément sur **Broil** (Gril) et sur **2** pendant 3 secondes. L'écran affiche **F** (Fahrenheit) ou **C** (Celsius). Par défaut, l'affichage indique F.
2. Appuyez sur **0** pour sélectionner F ou C. En appuyant sur **0**, vous permutez entre F et C.
3. Appuyez sur **START/SET** (DÉMARRAGE/RÉGLAGE).

### Fonction de convection par conversion automatique

Lorsque vous utilisez la fonction de conversion automatique, la fonction de convection par conversion automatique permet de convertir automatiquement les températures de la cuisson classique en températures de cuisson par convection.

Si cette fonction est activée, l'affichage indique la température réelle convertie (réduite). Par exemple, si vous sélectionnez une température de cuisson classique de  $350^\circ\text{F}$  et si vous appuyez sur **START/SET** (DÉMARRAGE/RÉGLAGE), l'écran affiche la température convertie, soit  $325^\circ\text{F}$ .

### Comment désactiver ou activer la fonction de conversion automatique ?

1. Appuyez simultanément sur **Broil** (Gril) et sur **3** pendant 3 secondes.  
L'écran affiche alors **Con On** (Convection activée) ou **Con OFF** (Convection désactivée).  
Par défaut, la cuisson est réglée sur Con OFF (Convection désactivée).
2. Appuyez sur **0** pour sélectionner Con On (Convection activée) ou Con OFF (Convection désactivée).  
Appuyer sur **0** permet de permuter le mode entre Con On (Convection activée) et Con OFF (Convection désactivée).
3. Appuyez sur **START/SET** (DÉMARRAGE/RÉGLAGE).

### Économie d'énergie après 12 heures

Si vous oubliez d'éteindre votre four, cette fonction assure la désactivation automatique des commandes après 12 heures d'utilisation des fonctions de cuisson ou après 3 heures d'utilisation de la fonction Gril.

### Comment activer ou désactiver la fonction d'économie d'énergie après 12 heures ?

1. Appuyez simultanément sur **Broil** (Gril) et sur **5** pendant 3 secondes.  
L'écran affiche **12 Hr** (arrêt après 12 heures) ou **-- Hr** (Pas d'arrêt). Par défaut, le four s'arrête au bout de 12 heures.
2. Appuyez sur **0** pour sélectionner **--12 Hr** (Arrêt désactivé) ou **12 Hr** (Arrêt activé).  
Appuyer sur **0** permet de permuter le mode entre 12 Hr et -- Hr.
3. Appuyez sur **START/SET** (DÉMARRAGE/RÉGLAGE).

### Activation/désactivation du son

Cette fonction vous permet de régler le four de sorte à ce que les commandes fonctionnent de manière silencieuse.

### Comment activer ou désactiver le son ?

1. Appuyez simultanément sur **Broil** (Gril) et sur **6** pendant 3 secondes.  
L'écran affiche **Snd On** (Son activé) ou **Snd OFF** (Son désactivé).  
Par défaut, le son est activé.
2. Appuyez sur **0** pour sélectionner Snd OFF (Son désactivé) ou Snd On (Son activé).  
Appuyer sur **0** permet de permuter le mode entre Snd On (Son activé) et Snd OFF (Son désactivé).
3. Appuyez sur **START/SET** (DÉMARRAGE/RÉGLAGE).

### Demo mode (Mode Démo)

Cette option est destinée à être utilisée par les points de vente au détail à des fins d'affichage uniquement. (L'élément chauffant ne fonctionne pas.)

### Comment activer ou désactiver le mode démo ?

1. Appuyez sur **Broil** (Gril) et sur **7**.
2. Appuyer sur **0** permet de permuter le mode entre On (Activé) et OFF (Désactivé).
3. Appuyez sur **START/SET** (DÉMARRAGE/RÉGLAGE).

# Utilisation du four

---

## Verrouillage des commandes

Cette fonction vous permet de verrouiller les boutons afin qu'ils ne puissent pas être actionnés par accident.

### Comment activer la fonction de verrouillage des commandes ?

1. Appuyez sur **OFF/CLEAR** (DÉSACTIVATION/ANNULATION) pendant 3 secondes. L'indication **Loc** (Verrouillage) et l'icône du verrou apparaissent à l'écran, ainsi que l'heure actuelle. Toutes les fonctions doivent être annulées avant l'activation du verrouillage des commandes. Cette fonction est disponible lorsque la température du four est inférieure à 400°F.

### Comment déverrouiller les commandes ?

1. Appuyez sur **OFF/CLEAR** (DÉSACTIVATION/ANNULATION) pendant 3 secondes. L'indication **Loc** (Verrouillage) ainsi que l'**icône du verrou** disparaissent de l'écran.

# Entretien de votre appareil

---

## Auto-nettoyage

---

Ce four auto-nettoyant utilise des températures élevées (bien supérieures aux températures de cuisson) pour brûler complètement les résidus de graisse ou les réduire en fine poudre qu'il vous suffit d'essuyer à l'aide d'un torchon humide.

### ATTENTION

- Durant l'auto-nettoyage, les parois externes de la cuisinière peuvent devenir extrêmement chaudes au toucher. **Ne laissez jamais** les enfants en bas âge sans surveillance à proximité de l'appareil.
- Certains oiseaux sont extrêmement sensibles aux fumées émises durant les cycles d'auto-nettoyage, et ce, quel que soit l'appareil. Déplacez les oiseaux dans une autre pièce bien aérée.
- **Ne tapissez jamais** les parois, les grilles, le fond ou toute autre partie du four de papier d'aluminium. La chaleur serait ainsi mal distribuée, les résultats de cuisson altérés et l'intérieur du four endommagé de façon irréversible. Le papier aluminium peut fondre et adhérer à la surface intérieure du four.
- **Ne forcez jamais** l'ouverture de la porte du four. Vous risqueriez d'endommager le système de verrouillage automatique de la porte. Soyez vigilant lorsque vous ouvrez la porte du four une fois le cycle d'auto-nettoyage terminé. Pour permettre à l'air chaud ou à la vapeur de s'échapper, maintenez-vous sur le côté du four lorsque vous ouvrez la porte. Le four peut encore être **TRÈS CHAUD**.



# Entretien de votre appareil

## Avant le cycle d'auto-nettoyage

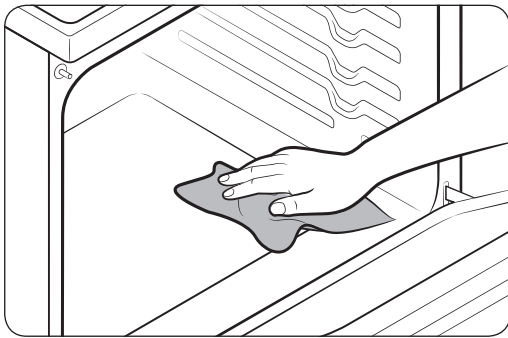


Fig. 1

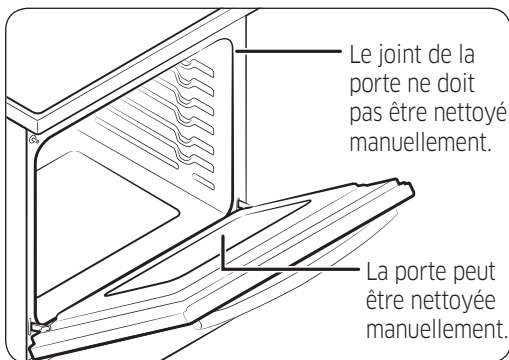


Fig. 2

- Durant le cycle d'auto-nettoyage, nous vous conseillons d'aérer votre cuisine en ouvrant une fenêtre ou en activant un ventilateur ou une hotte.
- Retirez la grille métallique, la lèchefrite, le gril de la lèchefrite, le papier d'aluminium et tous les ustensiles du four.
- Essuyez les résidus qui se trouvent au fond du four. (Fig. 1).
- Les grilles argentées peuvent être auto-nettoyées, mais elles noircissent, perdent leur lustre et glissent plus difficilement.
- Les résidus situés en façade de la cuisinière et ailleurs que sur le joint de la porte doivent être nettoyés à la main. Nettoyez ces zones à l'aide d'eau chaude, de tampons à récurer imbibés de savon ou d'un nettoyant doux. Rincez à l'eau claire et essuyez.
- Ne nettoyez pas le joint en lui-même. La fibre de verre utilisée pour le joint de la porte ne résiste pas au nettoyage. Le joint doit absolument rester intact. Si vous constatez qu'il s'use ou se rétracte, faites-le remplacer. (Fig. 2).
- Assurez-vous que la protection de l'ampoule est en place et que l'éclairage est éteint.

### REMARQUE

Retirez les grilles du four et les accessoires avant de lancer le mode d'auto-nettoyage.

## Comment lancer un cycle d'auto-nettoyage

1. Sélectionnez la durée d'auto-nettoyage (ex. : 3 heures).  
Appuyez sur **Self Clean** (Auto-nettoyage) une fois pour un cycle de 3 heures, deux fois pour un cycle de 5 heures ou trois fois pour un cycle de 2 heures.  
Par défaut, le cycle dure 3 heures.
2. Démarrez le cycle d'auto-nettoyage.  
Appuyez sur **START/SET** (DÉMARRAGE/RÉGLAGE). Le verrouillage entraîné par moteur de la porte s'enclenche automatiquement.

- ★ • Vous ne pourrez pas démarrer le cycle d'auto-nettoyage si la fonction de verrouillage des commandes est activée ou si la température du four est trop élevée.
  - La porte du four se verrouille automatiquement. Le temps de nettoyage restant s'affiche. La porte ne peut pas s'ouvrir tant que la température n'est pas descendue à une température sans danger/basse.
  - La fonction d'auto-nettoyage ne fonctionne pas si la zone chauffe-plat fonctionne.
- 3. Une fois le cycle d'auto-nettoyage terminé, le message End (Fin) s'affiche à l'écran et la cuisinière émet un signal sonore six fois.

## Comment différer le cycle d'auto-nettoyage ?

1. Appuyez sur **Self Clean** (Auto-nettoyage). Sélectionnez l'heure d'auto-nettoyage souhaitée en appuyant sur **Self Clean** (Auto-nettoyage).

2. Appuyez sur **Delay Start** (Départ différé).
3. Saisissez l'heure à laquelle vous souhaitez lancer l'auto-nettoyage.
4. Appuyez sur **START/SET** (DÉMARRAGE/RÉGLAGE).  
Les icônes de départ différé, d'auto-nettoyage et de verrouillage s'affichent à l'écran. Le verrouillage entraîné par moteur de la porte s'enclenche automatiquement.
5. Le cycle d'auto-nettoyage démarre automatiquement à l'heure définie.

## Comment désactiver la fonction d'auto-nettoyage ?

Vous pourrez arrêter ou interrompre un cycle d'auto-nettoyage si la fumée produite lors de l'opération venait à vous gêner.

1. Appuyez sur **OFF/CLEAR** (DÉSACTIVATION/ANNULATION).
2. Vous pourrez à nouveau ouvrir la porte du four une fois que le four aura refroidi pendant environ une heure.

## Après un cycle d'auto-nettoyage

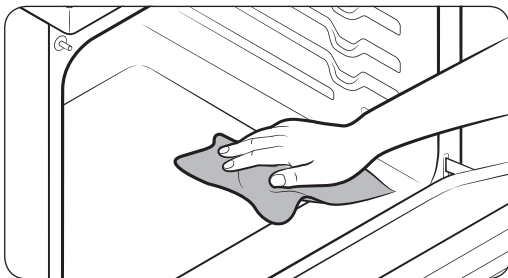
- Il est possible que de la cendre reste dans le four. Essayez-la à l'aide d'un torchon humide une fois le four refroidi (Si la cendre laisse des traces blanches, effacez-les à l'aide d'un tampon à récurer imbibé de savon et rincez abondamment à l'aide d'une solution d'eau et de vinaigre blanc).
- Si le four n'est toujours pas propre après un cycle, répétez le cycle.
- Le four ne peut être réglé pour la cuisson tant qu'il n'a pas refroidi suffisamment pour permettre l'ouverture de la porte.

# Entretien de votre appareil

## Nettoyage vapeur

### Comment régler le four pour le nettoyage vapeur ?

La fonction de nettoyage vapeur permet d'effectuer un nettoyage superficiel en économisant du temps et de l'énergie. Pour un nettoyage plus efficace, utilisez la fonction d'auto-nettoyage.



1. Retirez tous les accessoires du four.
  2. Versez environ 10 oz (300 ml) d'eau dans la sole du four vide et fermez la porte. Utilisez uniquement de l'eau claire normale et non de l'eau distillée.
  3. Appuyez sur **Steam Clean** (Nettoyage vapeur).
  4. Appuyez sur **START/SET** (DÉMARRAGE/RÉGLAGE). Une fois l'opération terminée, l'affichage clignote et un signal sonore retentit.
  5. Appuyez sur **OFF/CLEAR** (DÉSACTIVATION/ANNULATION).
  6. Nettoyez l'intérieur du four. Une quantité importante d'eau reste dans la sole du four après un cycle de nettoyage vapeur. Otez l'eau à l'aide d'une éponge ou d'un torchon sec.
- ★ Pour que le nettoyage vapeur offre des résultats optimaux, utilisez exactement 10 oz (300 ml) d'eau.

#### REMARQUE

Si vous appuyez sur **Steam Clean** (Nettoyage vapeur) alors que la température du four est supérieure à 100 °F, l'indication **Hot** (Chaud) s'affiche à l'écran. Pour assurer des résultats optimaux, il est préférable de démarrer cette fonction à four froid. C'est pourquoi, nous vous conseillons d'attendre que le four ait refroidi et que l'indication Hot (Chaud) disparaisse de l'affichage.

## Après un cycle de nettoyage vapeur

- Soyez prudent lorsque vous ouvrez la porte avant la fin du programme de nettoyage vapeur. L'eau située dans le fond du four est extrêmement chaude.
- Ouvrez la porte du four et épongez l'eau restante. Ne laissez pas stagner l'eau qui reste dans le four. Essuyez le four et séchez-le à l'aide d'un chiffon doux. N'oubliez pas d'essuyer sous le joint de la porte.
- Pour nettoyer la cavité du four, utilisez une éponge, une brosse souple ou un tampon à récurer en nylon imbibé(e) de nettoyant.

Retirez la crasse incrustée à l'aide d'un tampon à récurer en nylon. Les dépôts de tartre peuvent être ôtés à l'aide d'un chiffon imbibé de vinaigre blanc.

- Si la saleté persiste, vous pouvez répéter l'opération une fois le four refroidi.
- Pour les résidus plus importants (ex. : graisse provenant du rôtissage), nous vous conseillons d'étaler du nettoyant sur les traces avant d'activer la fonction de nettoyage vapeur.
- Une fois le nettoyage terminé, laissez la porte du four entrebâillée (à 15 °) pour permettre à la surface émaillée interne de sécher complètement.

## Entretien et nettoyage du four

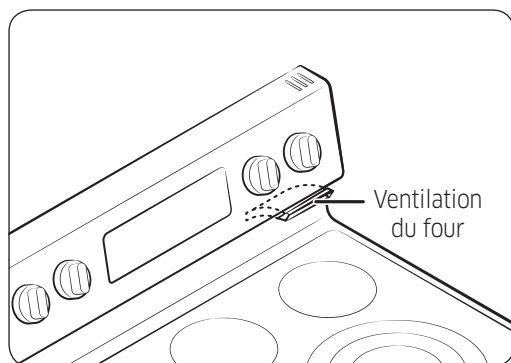
### **▲ AVERTISSEMENT**

- Avant de nettoyer une quelconque partie de la cuisinière, assurez-vous que toutes les commandes sont **DÉSACTIVÉES** et que toutes les surfaces sont **FROIDES**.

- Si vous êtes amené à déplacer votre cuisinière pour des raisons de nettoyage, réparation ou autre, assurez-vous que le dispositif anti-basculement est convenablement rétabli une fois que la cuisinière est remise en place. Si vous omettez de remettre en place le dispositif anti-basculement, la cuisinière pourrait basculer et causer de graves blessures.



### Ventilation du four



- L'orifice de ventilation est situé au-dessus de l'élément de surface arrière droit.
- Pendant le fonctionnement du four, cette zone peut devenir extrêmement chaude.
- Il est normal que la vapeur s'échappe de cet orifice.
- La ventilation est importante pour assurer une bonne circulation de l'air. Veillez à ne jamais l'obstruer.

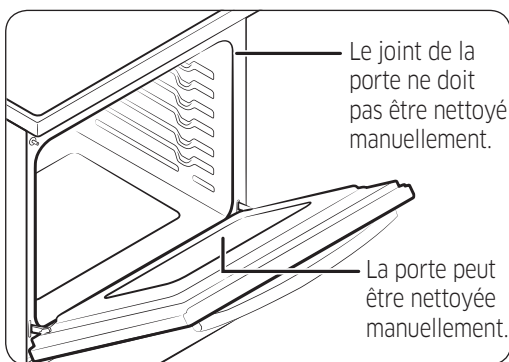
# Entretien de votre appareil

## Nettoyage des parties peintes et ornements décoratifs

- Pour le nettoyage sommaire, utilisez un torchon imbibé d'eau chaude savonneuse.
- Pour ôter les résidus incrustés et la graisse accumulée, versez un nettoyant liquide directement sur la zone et laissez agir 30 à 60 minutes. Frottez à l'aide d'un torchon humide, puis essuyez. N'appliquez jamais de nettoyants abrasifs sur ces surfaces. Ils risquent de les rayer.

## Nettoyage des surfaces en inox

1. Secouez énergiquement la bouteille de nettoyant pour acier inoxydable ou de produit lustrant.
2. Versez-en une petite quantité sur un torchon ou du papier absorbant humide.
3. Nettoyez une petite zone, en frottant si possible l'inox dans le sens du grain.
4. Séchez et lustrez à l'aide de papier absorbant ou d'un torchon doux propre et sec.
5. Répétez l'opération si nécessaire.



## REMARQUE

- **N'utilisez pas de tampon à récurer métallique. La surface serait rayée.**
- Si un nettoyant à base d'huile minérale a préalablement été utilisé pour nettoyer l'appareil, nettoyez la surface à l'aide de liquide vaisselle et d'eau avant d'utiliser le nettoyant pour acier inoxydable ou le produit lustrant.

## Grilles de cuisson

- Si vous laissez les grilles dans le four durant un cycle d'auto-nettoyage, leur couleur deviendra légèrement bleutée et l'aspect de leur surface se ternira. Une fois le cycle d'auto-nettoyage terminé et le four refroidi, essuyez les parties latérales des grilles à l'aide d'un papier sulfurisé ou d'un chiffon légèrement huilé. Cela permettra une meilleure insertion des grilles dans leurs glissières.

## Porte du four

- Utilisez du savon et de l'eau pour un nettoyage minutieux des parties supérieure, latérale et frontale de la porte du four. Rincez abondamment. Utilisez un produit vitre pour nettoyer la vitre extérieure de la porte du four. **N'IMMERGEZ PAS** la porte dans de l'eau. **NE VAPORISEZ PAS ou ne faites pas pénétrer de l'eau ou du produit vitre à l'intérieur des orifices de ventilation de la porte.** N'UTILISEZ PAS de nettoyants pour four, de poudres à récurer ou tout autre nettoyant fortement abrasif sur la partie extérieure de la porte du four.
- **NE NETTOYEZ PAS le joint de la porte.** Le joint de la porte est constitué d'un matériau tissé essentiel à son bon fonctionnement. Veillez à ne pas frotter, endommager ou retirer ce joint.

---

## Entretien et nettoyage de la table de cuisson vitrée

---

### Nettoyage après une utilisation quotidienne

Utilisez uniquement un nettoyant céramique pour la table de cuisson. L'utilisation d'autres crèmes n'a pas la même efficacité.

En respectant les étapes suivantes, vous parviendrez à maintenir en bon état et à protéger votre table de cuisson vitrée.

1. Avant d'utiliser votre table de cuisson pour la première fois, nettoyez-la à l'aide d'un nettoyant pour table de cuisson en céramique.

Vous protégerez ainsi la surface et faciliterez son nettoyage.

2. L'usage quotidien d'un nettoyant pour table de cuisson en céramique permet de préserver l'aspect neuf de votre table de cuisson.

3. Secouez bien la crème nettoyante. Versez quelques gouttes de nettoyant directement sur la table de cuisson.

4. Utilisez une serviette en papier ou un tampon de nettoyage pour table de cuisson en céramique pour nettoyer l'intégralité de la table de cuisson.

5. Utilisez un chiffon sec ou une serviette en papier pour retirer tout résidu de produit nettoyant. Il est inutile de rincer.

### **⚠** AVERTISSEMENT

Vous risquez d'**ENDOMMAGER** votre surface vitrée si vous utilisez d'autres tampons de nettoyage que ceux recommandés.

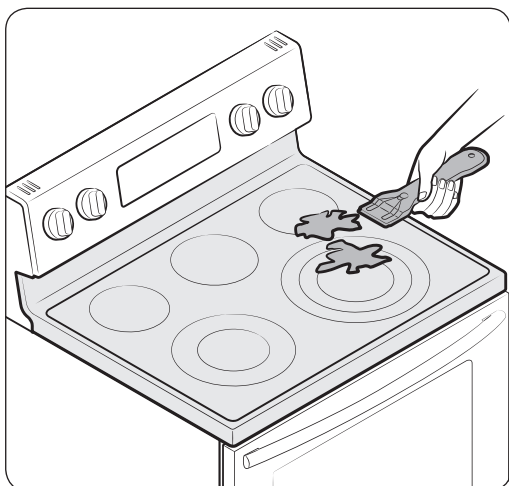
### Élimination des résidus brûlés



1. Laissez refroidir la table de cuisson.
2. Étalez quelques gouttes de nettoyant pour table de cuisson en céramique sur l'ensemble de la surface couverte de résidus brûlés.
3. En utilisant le tampon de nettoyage conçu pour les surfaces de cuisson en céramique, frottez la zone couverte de résidus, en appuyant si nécessaire.
4. Si des résidus subsistent, répétez autant de fois que nécessaire les étapes décrites ci-dessus.
5. Pour une protection optimale, et une fois tous les résidus éliminés, frottez toute la surface à l'aide du nettoyant pour table de cuisson en céramique et d'une serviette en papier.

# Entretien de votre appareil

## Élimination des résidus importants de brûlé



1. Laissez refroidir la table de cuisson.
2. À l'aide d'un grattoir à lame de rasoir unique incliné d'environ 45 ° sur la surface vitrée, grattez les salissures. Vous devez appuyer et frotter pour supprimer les résidus.
3. Après avoir gratté à l'aide du grattoir à lame de rasoir, étalez quelques gouttes de nettoyant pour surface en céramique sur l'ensemble de la surface couverte de résidus brûlés. Utilisez le tampon de nettoyage pour supprimer tout résidu restant. (Ne grattez pas le joint).
4. Pour une protection optimale, et une fois tous les résidus éliminés, frottez toute la surface à l'aide du nettoyant pour table de cuisson et d'une serviette en papier.

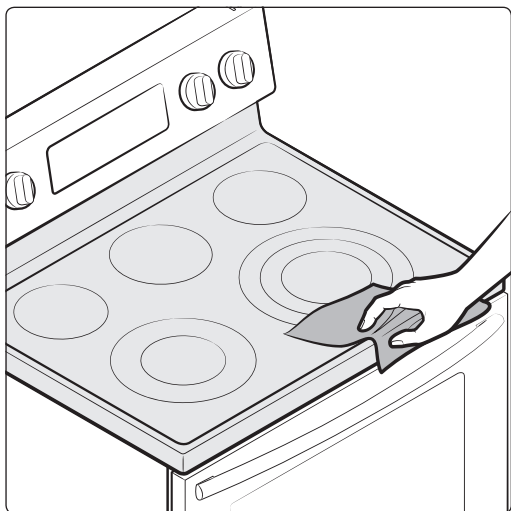
## Suppression des rayures et traces de métal

1. Évitez de faire glisser les casseroles et plats sur la table de cuisson. Vous risquez ainsi de rayer la table de cuisson. Vous pouvez supprimer ces traces en appliquant un nettoyant pour table de cuisson en céramique à l'aide d'un tampon de nettoyage pour tables de cuisson en céramique.
2. Si vous laissez des casseroles à fin revêtement d'aluminium ou de cuivre bouillir jusqu'à évaporation complète, le revêtement peut laisser une marque de décoloration noire sur la table de cuisson. Pour éviter que cette trace ne devienne indélébile, éliminez-la immédiatement.

### **⚠ AVERTISSEMENT**

Vérifiez que le fond de vos plats est lisse pour éviter de rayer la table de cuisson.

## Nettoyage du joint de la table de cuisson



Pour nettoyer le joint situé sur le pourtour de la vitre, appliquez un chiffon humide durant quelques minutes, puis nettoyez à l'aide d'un nettoyant non abrasif.

## Risques d'endommagement définitif de la surface vitrée

- Les éclaboussures de sucre (comme celles produites par les confitures, le caramel, le sucre, les sirops) ou les plastiques fondus peuvent faire apparaître des piqûres sur la surface de votre table de cuisson. Ces dommages ne sont pas couverts par la garantie. Il est conseillé de nettoyer la projection tant qu'elle est encore chaude. Soyez particulièrement vigilant lorsque vous retirez des substances chaudes. Reportez-vous au chapitre suivant.
- Lorsque vous utilisez un grattoir, assurez-vous qu'il est neuf et que la lame de rasoir est toujours aiguisée ; n'utilisez pas de lame émoussée ou en mauvais état.

## Nettoyage des éclaboussures de sucre et du plastique fondu

1. Eteignez tous les foyers. Retirez les plats chauds.
2. En vous munissant d'un gant et à l'aide d'un grattoir à lame de rasoir unique, déplacez les éclaboussures vers une partie froide de la table de cuisson. Retirez les éclaboussures à l'aide de papier absorbant.
3. Aucun résidu d'éclaboussure ne doit subsister tant que la table de cuisson est encore chaude.
4. Ne réutilisez pas les foyers tant que tous les résidus n'ont pas été complètement supprimés.

### REMARQUE

Si une piqûre ou des creux se sont déjà formés sur la surface vitrée, le verre de la table de cuisson devra être remplacé. Dans ce cas, une intervention est nécessaire.



# Entretien de votre appareil

## Retrait et remise en place de la porte du four

### Comment retirer la porte ?

#### ⚠ ATTENTION

- La porte est très lourde. Soyez prudent lorsque vous retirez et soulevez la porte. Ne soulevez pas la porte par la poignée.
- Mettez la cuisinière hors tension avant de retirer la porte.

1. Ouvrez la porte au maximum.
2. Abaissez les verrous de la charnière vers l'encadrement de porte pour les mettre en position de déverrouillage.

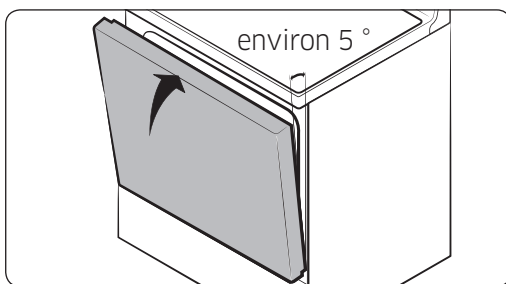
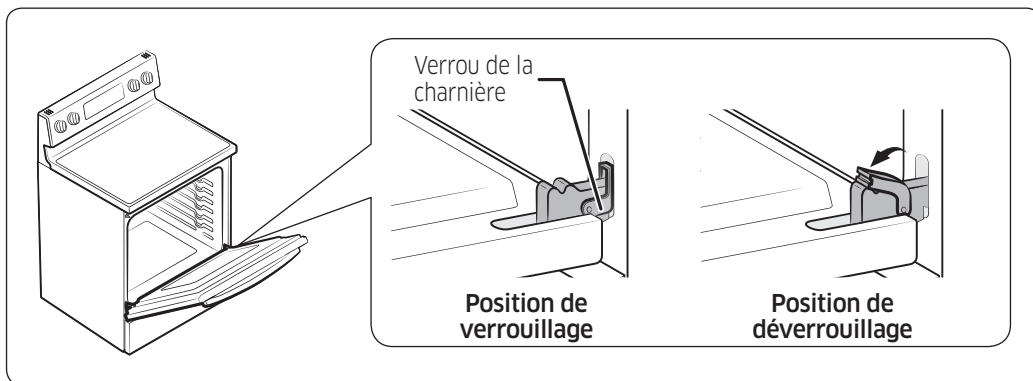


Fig. 1

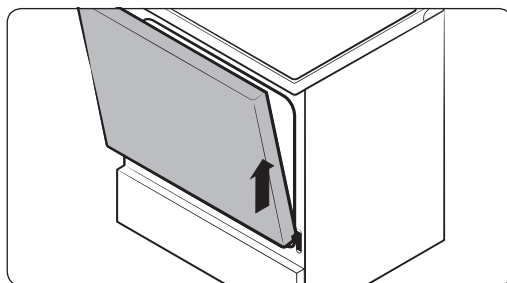
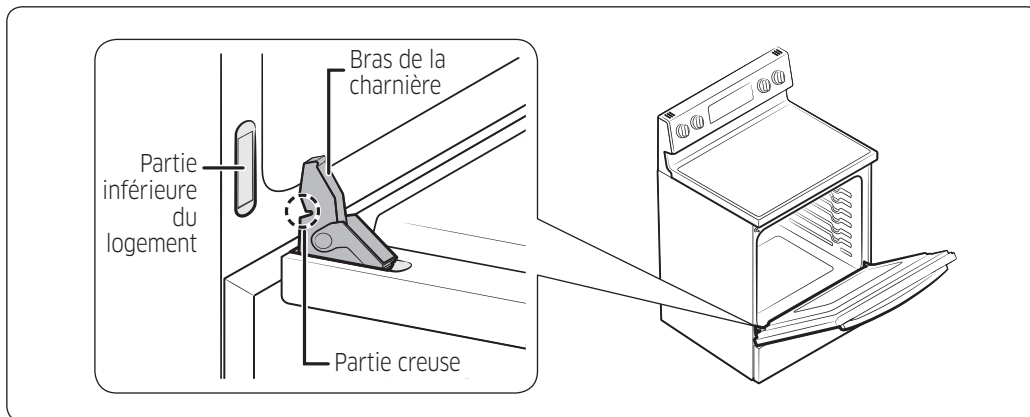


Fig. 2

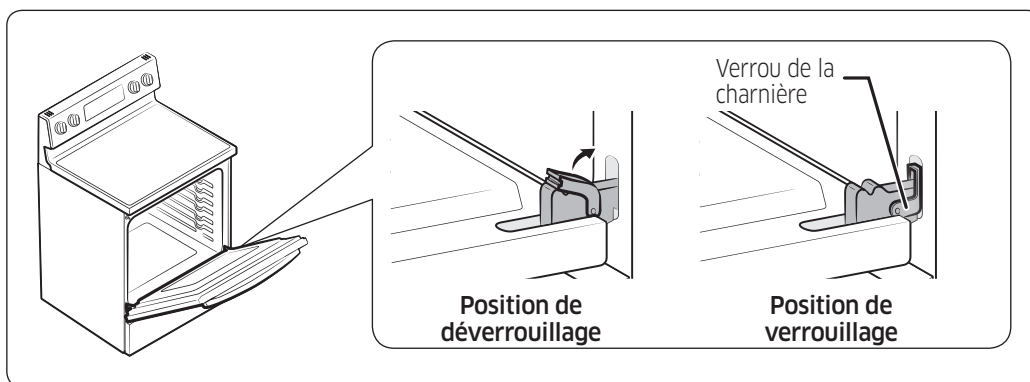
3. Saisissez fermement les deux côtés de la porte par le haut.
4. Fermez la porte jusqu'à la position de retrait de la porte, soit à environ 5 degrés de la position verticale (Fig. 1).
5. Soulevez et retirez la porte jusqu'à ce que le bras de la charnière soit enlevé de son logement (Fig. 2).

## Comment remettre la porte en place ?

1. Saisissez fermement les deux côtés de la porte par le haut.
2. En maintenant la porte dans le même angle que lors de son retrait, faites glisser la partie creuse du bras de la charnière dans la partie inférieure du logement de la charnière. L'encoche située sur le bras de la charnière doit être insérée entièrement dans la partie inférieure du logement.



3. Ouvrez la porte au maximum. Si la porte ne s'ouvre pas complètement, c'est que la partie creuse n'est pas correctement insérée dans la partie inférieure du logement.
4. Poussez les verrous de la charnière vers le haut contre le cadre de la cavité du four pour la mettre en position de verrouillage.



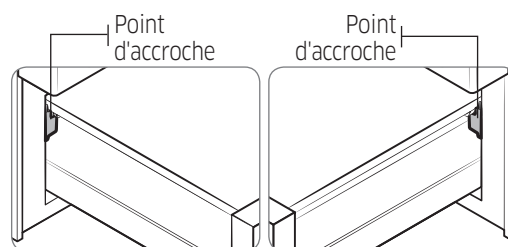
5. Fermez la porte du four.

# Entretien de votre appareil

## Retrait et remise en place du tiroir de rangement

### Comment retirer le tiroir de rangement ?


1. Tirez le tiroir vers vous jusqu'à ce qu'il arrive en butée.
2. Inclinez l'avant du tiroir et tirez-le vers vous jusqu'à ce qu'il arrive en butée.
3. Soulevez et tirez le tiroir vers vous.



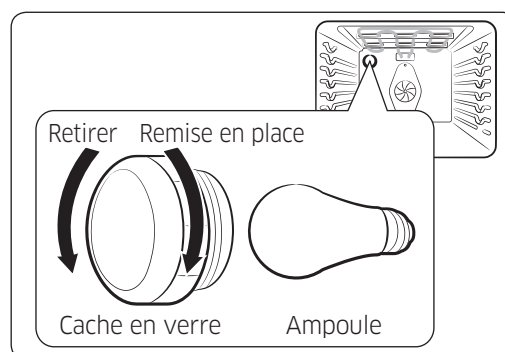
### Comment remettre le tiroir de rangement en place ?

1. Placez le côté gauche du tiroir sur le crochet gauche et le côté droit sur le crochet droit.
2. Poussez sur le tiroir jusqu'à ce qu'il arrive en butée.
3. Inclinez et soulevez le tiroir.
4. Poussez le tiroir.

## Remplacement de l'ampoule du four

L'éclairage du four nécessite une ampoule standard de 40 watts. L'éclairage s'active à l'ouverture de la porte. Lorsque la porte du four est fermée, appuyez sur  pour activer ou désactiver l'éclairage. L'éclairage ne s'active pas durant un cycle d'auto-nettoyage.

1. Assurez-vous que le four et l'ampoule sont froids.
2. Débranchez la cuisinière ou mettez-la hors tension.
3. Tournez le cache en verre situé à l'arrière du four dans le sens inverse des aiguilles d'une montre pour le retirer.
4. Tournez l'ampoule dans le sens inverse des aiguilles d'une montre pour la retirer de sa douille.
5. Insérez une ampoule neuve de 40 watts, puis faites-la tourner dans le sens horaire pour la serrer. Remplacez le cache de l'ampoule en le faisant tourner dans le sens horaire.
6. Branchez la cuisinière ou mettez-la sous tension.



### ⚠ ATTENTION

Avant de remplacer l'ampoule de votre four, débranchez la cuisinière au niveau du panneau de fusibles ou du tableau à disjoncteurs. Assurez-vous que le four et l'ampoule sont froids.

# Dépannage

## Dépannage

Samsung veille à ce que vous ne rencontriez pas de problèmes lors de l'utilisation de votre nouvelle cuisinière électrique. En cas de problème inattendu, recherchez en premier lieu une solution dans le tableau ci-dessous. Si, après avoir essayé la solution proposée, vous ne parvenez pas à résoudre le problème, contactez Samsung au 1-800-SAMSUNG (1-800-726-7864).

### Installation

Problème	Cause possible	Solution
La cuisinière n'est pas à niveau.	La cuisinière n'a pas été installée correctement.	<ul style="list-style-type: none"><li>Placez la grille de cuisson au centre du four. Placez un niveau sur la grille de cuisson. Ajustez les pieds de mise à niveau situés sur la base de la cuisinière jusqu'à ce que la grille de cuisson soit à niveau.</li><li>Assurez-vous que le sol est plan et suffisamment solide et stable pour supporter le poids de la cuisinière.</li></ul>
	Le sol est affaissé ou incliné.	Contactez un menuisier pour remédier à la situation.
	Les placards de la cuisine ne sont pas correctement alignés et donnent l'impression que la cuisinière n'est pas de niveau.	Assurez-vous que les éléments de cuisine sont droits et que l'espace est suffisant pour l'installation.
L'accès à la cuisinière est nécessaire pour sa réparation mais la déplacer s'avère difficile.	Les éléments de la cuisine ne sont pas droits et situés trop près de l'appareil.	Contactez un maçon ou un installateur pour rendre la cuisinière accessible.
	La moquette interfère avec les mouvements de la cuisinière.	Ménagez un espace suffisant pour que la cuisinière puisse être soulevée de la moquette.

### ÉCRAN DE COMMANDE

Problème	Cause possible	Solution
L'affichage s'atténue.	Un fusible de votre habitation est peut-être grillé ou le disjoncteur peut être déclenché.	Remplacez le fusible concerné ou réenclenchez le disjoncteur.
L'affichage clignote.	Une coupure de courant s'est produite.	Réglez l'heure à nouveau.

# Dépannage

## TABLE DE CUISSON

Problème	Cause possible	Solution
Les foyers ne maintiennent pas une chaleur continue ou ne cuisent pas assez rapidement.	Le récipient n'est peut-être pas adapté à la surface de cuisson.	Utilisez des casseroles à fond plat et correspondant au diamètre du foyer sélectionné.
	À certains endroits, la puissance (tension) peut être faible.	Placez un couvercle sur la casserole jusqu'à ce que la chaleur souhaitée soit atteinte.
Les foyers ne s'allument pas.	Un fusible de votre habitation est peut-être grillé ou le disjoncteur peut être déclenché.	Remplacez le fusible concerné ou réenclenchez le disjoncteur.
	Les commandes de la table de cuisson sont mal réglées.	Vérifiez que vous utilisez bien la commande correspondant au foyer utilisé.
Zones de décoloration sur la table de cuisson.	Des éclaboussures n'ont pas été nettoyées.	Reportez-vous au chapitre traitant de l'entretien et du nettoyage de la table de cuisson vitrée, pages 57 à 59.
	La surface est chaude et la table de cuisson paraît de couleur claire.	Ceci est tout à fait normal. Il est possible que la surface paraisse décolorée lorsqu'elle est chaude. Ce phénomène est provisoire et disparaît lorsque le verre refroidit.
Le foyer s'éteint et se rallume fréquemment. Le foyer redevient noir lorsqu'un réglage plus faible est sélectionné.	Le foyer s'éteint et se rallume afin de conserver la puissance réglée.	Ce phénomène est normal et ne constitue pas un dysfonctionnement du système. Utilisez le four normalement.
Rayures ou éraflures sur la surface de la table de cuisson.	La table de cuisson n'est pas correctement nettoyée.	Les rayures ne peuvent être ôtées. Les rayures légères s'estomperont dans le temps au fil des nettoyages. Utilisez une crème nettoyante spéciale vitrocéramique. N'utilisez pas d'agents chimiques ou corrosifs. Ces agents peuvent endommager la surface de l'appareil.
	Des récipients à fond rugueux ont été en contact avec la table de cuisson ou bien des particules importantes comme du gros sel ou du sable se sont trouvées entre les récipients et la table de cuisson.	Afin d'éviter les rayures, respectez les procédures de nettoyage recommandées. Assurez-vous que le fond des récipients est propre avant d'utiliser ces derniers et choisissez des récipients à fond lisse.
	Vous avez fait glisser des récipients sur la table de cuisson.	

Problème	Cause possible	Solution
Traînées ou tâches brunes.	Des plats cuisinés ont débordé sur la table de cuisson.	<ul style="list-style-type: none"> <li>Attendez que la surface refroidisse. Ensuite, utilisez un grattoir pour retirer ces impuretés. Utilisez le grattoir à lame pour retirer les salissures.</li> <li>Reportez-vous au chapitre relatif à l'entretien et au nettoyage de la table de cuisson vitrée, pages 57 à 59.</li> </ul>
Zones de décoloration à reflets métalliques.	Des dépôts minéraux d'eau et d'aliments sont restés sur la table de cuisson.	<ul style="list-style-type: none"> <li>Supprimez-les à l'aide d'une crème nettoyante spéciale pour table de cuisson en verre et céramique.</li> <li>Utilisez des récipients à fond propre et sec. Nettoyez la table de cuisson avec un agent de nettoyage spécial vitrocéramique, de façon régulière chaque semaine.</li> </ul>
Bruit de « craquement » ou de « crépitement ».	Ce bruit provient du métal lorsqu'il chauffe et qu'il refroidit pendant l'utilisation des fonctions de cuisson et d'auto-nettoyage.	Ce phénomène est normal et ne constitue pas un dysfonctionnement du système. Utilisez le four normalement.

## FOUR

Problème	Cause possible	Solution
Le four ne s'allume pas.	La cuisinière n'est pas correctement branchée sur la prise murale.	Assurez-vous que la cuisinière est branchée sur une prise en état de marche et correctement mise à la terre.
	Un fusible de votre habitation est peut-être grillé ou le disjoncteur peut être déclenché.	Remplacez le fusible concerné ou réenclenchez le disjoncteur.
	Les commandes du four n'ont pas été correctement réglées.	Reportez-vous au chapitre concernant le fonctionnement du four.
	Le four est trop chaud.	Laissez le four refroidir.
	Câblage incomplet.	Contactez le service technique.
	Coupure de courant.	Vérifiez que les lampes de votre habitation s'allument. Au besoin, demandez de l'aide auprès de votre compagnie d'électricité.
L'éclairage du four ne s'allume pas.	L'ampoule est dévissée ou défectueuse.	Revisez ou remplacez l'ampoule.
	Le commutateur permettant d'activer l'éclairage est cassé.	Contactez le service technique.

(Suite)

# Dépannage

Problème	Cause possible	Solution
Le four émet une fumée excessive durant la cuisson.	Les réglages n'ont pas été effectués correctement.	Reportez-vous au chapitre concernant le réglage des commandes du four.
	La viande a été placée trop près de l'élément.	Repositionnez la grille de façon à ménager un espace suffisant entre la viande et l'élément. Préchauffez le gril pour saisir la viande.
	La viande n'a pas été correctement préparée.	Retirez l'excès de gras de la viande. Coupez les bords gras susceptibles de se recourber, laissant le maigre intact.
	La graisse s'est accumulée sur les surfaces du four.	Un nettoyage régulier est nécessaire en cas d'utilisation répétée de la fonction gril.
Les aliments ne cuisent pas ou ne sont pas rôtis correctement.	Les commandes du four n'ont pas été correctement réglées.	Reportez-vous au chapitre concernant le fonctionnement du four.
	La grille de cuisson n'a pas été positionnée correctement ou n'est pas à niveau.	Reportez-vous au chapitre concernant l'utilisation des grilles du four, pages 38 et 39.
	Un récipient inadapté ou de taille inappropriée est utilisé.	
	Le capteur du four doit être réglé.	Reportez-vous au chapitre concernant le réglage du thermostat, page 48.
Les aliments ne grillent pas correctement.	La quantité peut ne pas être appropriée.	Reportez-vous au guide de cuisson pour connaître les quantités, puis réessayez.
	La grille n'a pas été positionnée correctement.	Reportez-vous au guide de recommandations concernant la cuisson au gril, page 43.
	Le récipient utilisé n'est pas adapté à la cuisson au gril.	Utilisez un récipient adapté.
	À certains endroits, la puissance (tension) peut être faible.	<ul style="list-style-type: none"> <li>• Préchauffez le gril pour pendant 10 minutes.</li> <li>• Reportez-vous au guide de recommandations concernant la cuisson au gril, page 43.</li> </ul>
La température du four est trop chaude ou trop froide.	Le capteur du four doit être réglé.	Reportez-vous au chapitre concernant le réglage du thermostat, page 48.

Problème	Cause possible	Solution
Le four ne s'auto-nettoie pas.	La température du four est trop élevée pour permettre de programmer un auto-nettoyage.	Laissez la cuisinière refroidir, puis réinitialisez les commandes.
	Les commandes du four n'ont pas été correctement réglées.	Reportez-vous au chapitre relatif à l'auto-nettoyage, page 51.
	Un cycle d'auto-nettoyage ne peut démarrer si le dispositif de verrouillage du four a été activé ou si un foyer radiant est activé.	Désactivez le verrouillage du four (voir page 49). Assurez-vous que tous les éléments de la surface sont éteints.
Fumée excessive durant un cycle d'auto-nettoyage.	L'intérieur de votre four est excessivement sale.	Appuyez sur OVEN OFF (ARRÊT DU FOUR). Ouvrez les fenêtres pour évacuer la fumée de la pièce. Attendez que le cycle d'auto-nettoyage soit annulé. Essuyez la saleté excessive, puis relancez un cycle d'auto-nettoyage.
La porte du four ne s'ouvre pas après un cycle d'auto-nettoyage.	Le four est trop chaud.	Laissez le four refroidir.
Le four est toujours sale après un cycle d'auto-nettoyage.	Les commandes du four n'ont pas été correctement réglées.	Reportez-vous au chapitre relatif à l'auto-nettoyage, page 51.
	Le four était très sale.	Essuyez les éclaboussures importantes avant de démarrer le cycle d'auto-nettoyage. Les fours excessivement sales nécessitent un nouvel auto-nettoyage plus long.
De la vapeur s'échappe des orifices de ventilation.	En cas d'utilisation de la fonction de convection, il est normal que de la vapeur s'échappe des orifices de ventilation du four.	Ce phénomène est normal et ne constitue pas un dysfonctionnement du système. Utilisez le four normalement.
	La quantité de vapeur visible augmente proportionnellement au nombre de grilles ou à la quantité d'aliments en cours de cuisson.	
Odeur de brûlé ou d'huile provenant de la ventilation.	Ce phénomène est tout à fait normal dans le cas d'un four neuf. L'odeur disparaîtra au fil des utilisations.	<ul style="list-style-type: none"> <li>• Pour accélérer le processus, programmez un cycle d'auto-nettoyage d'une durée minimale de 3 heures.</li> <li>• Reportez-vous au chapitre relatif à l'auto-nettoyage, page 51.</li> </ul>

(Suite)



# Dépannage

Problème	Cause possible	Solution
Odeur forte.	Il est normal de constater une odeur provenant de l'isolation de la cavité du four lors des premières utilisations de votre four.	Faites fonctionner le four en mode Bake (Cuisson traditionnelle) sur 400 °F pendant 1 heure.
Bruit au niveau du ventilateur.	Un ventilateur de convection peut se déclencher ou s'arrêter automatiquement.	Ce phénomène est normal et ne constitue pas un dysfonctionnement du système. Utilisez le four normalement.
Vous avez des difficultés à faire glisser les grilles du four.	Les grilles, brillantes et de couleur argentée, ont été nettoyées au cours d'un cycle d'auto-nettoyage.	À l'aide de papier absorbant imbibé d'huile végétale, essuyez les bords des grilles du four.

## TIROIR

Problème	Cause possible	Solution
Le tiroir ne glisse pas correctement ou se bloque.	Le tiroir n'est pas correctement aligné.	Ouvrez complètement le tiroir et repoussez-le au maximum. Voir page 62.
	Le tiroir est surchargé ou sa charge est mal répartie.	Réduisez-en le poids. Réorganisez le contenu du tiroir.

## Codes d'information

### FOUR

Code affiché	Cause possible	Solution
C-20	Le capteur du four est ouvert lorsque le four est utilisé.	Appuyez sur la touche OVEN OFF (ARRÊT DU FOUR) et redémarrez le four. Si le problème persiste, coupez l'alimentation de la cuisinière pendant 30 secondes puis rétablissez-la. Si le problème n'est pas résolu, contactez le service technique.
	Le capteur du four est court-circuité lorsque le four est utilisé.	
C-21	Ce code apparaît si la température interne augmente à un niveau anormalement élevé.	
C-d1	Ce code apparaît si le verrouillage de la porte est mal positionné.	
C-d0	Ce code apparaît si la touche Contrôle est court-circuitée pendant 1 minute.	Appuyez sur la touche OVEN OFF (ARRÊT DU FOUR) et redémarrez le four. Si le problème persiste, coupez l'alimentation de la cuisinière pendant 30 secondes puis rétablissez-la. Si le problème n'est pas résolu, contactez le service technique.

# Garantie (États-Unis)

**VEUILLEZ NE PAS JETER. CETTE PAGE REMPLACE LA PAGE DE GARANTIE  
CONTENUE DANS LE GUIDE D'UTILISATION ET D'ENTRETIEN.**

## **CUISINIÈRE ÉLECTRIQUE SAMSUNG**

### **GARANTIE LIMITÉE À L'ACHETEUR INITIAL**

Ce produit de la marque SAMSUNG, fourni, distribué par SAMSUNG ELECTRONICS AMERICA, INC. (SAMSUNG) et livré neuf, s'accompagne d'une garantie de SAMSUNG contre tout vice de fabrication au niveau des pièces et de la main d'œuvre pendant une période limitée de :

#### **Garantie un (1) an pour les pièces et la main d'œuvre, un (1) an pour les pièces de la table de cuisson vitrée et du chauffage par rayonnement**

Cette limite de garantie s'applique à compter de la date d'acquisition et couvre uniquement les produits achetés et utilisés aux États-Unis. Pour se prévaloir du service de garantie, l'acheteur doit contacter SAMSUNG afin d'établir les procédures relatives au diagnostic et à l'intervention nécessaire. Pour être couverte par la garantie, la maintenance ne peut être effectuée que par un service technique agréé SAMSUNG. Lors de la remise d'un produit défectueux à SAMSUNG ou à un centre de service SAMSUNG agréé, l'acquéreur est tenu de présenter le coupon d'achat d'origine à la demande des intéressés à titre de preuve d'achat. Samsung vous assure un service à domicile pendant la période de garantie sans frais supplémentaires en fonction des disponibilités sur le territoire des États-Unis contigus. Le service de réparation à domicile n'est pas disponible partout. Pour bénéficier du service à domicile, l'appareil doit être situé dans un emplacement dépourvu d'obstacle et accessible à notre personnel. En cas d'indisponibilité de ce service, Samsung pourra choisir le moyen de transport adéquat pour acheminer ou renvoyer l'appareil vers et depuis un centre de service agréé. La société SAMSUNG prendra en charge, à sa convenance, la réparation ou le remplacement du produit à ses frais tel que stipulé dans les présentes conditions et procédera au remplacement ou au changement des pièces ou des produits si ces derniers s'avèrent défectueux dans la limite de la période de garantie mentionnée précédemment. Toute pièce ou tout produit remplacé devient la propriété de SAMSUNG et doit lui être restitué. Les pièces et produits de rechange sont protégés pour le reste de la période de garantie initiale ou pour quatre-vingt-dix (90) jours, selon l'éventualité la plus éloignée.

Cette garantie limitée couvre les défauts de fabrication relatifs aux matériaux ou à la main-d'œuvre survenant dans le cadre d'un usage normal et non commercial de ce produit et ne s'applique pas aux situations suivantes : tout dommage survenant au cours de l'expédition, la livraison et l'installation ; toute utilisation de l'appareil contraire au but auquel il était destiné ; tout numéro de produit ou de série effacé ; tout dommage du revêtement extérieur ou de l'aspect du produit ; tout dommage causé par accident, abus, négligence, incendie, inondation, foudre ou autre catastrophe naturelle ; toute utilisation de produits, équipements, systèmes, appareils, services, pièces, fournitures, accessoires, applications, installations, réparations, câblages externes ou connecteurs non fournis ou autorisés par SAMSUNG et susceptibles d'endommager ledit appareil ou de nuire à son fonctionnement ; toute surtension, fluctuation ou tension de ligne électrique incorrecte ; tout réglage effectué par l'acquéreur et non-respect des instructions de fonctionnement, d'entretien et de respect de l'environnement couvertes ou prescrites dans le présent carnet d'entretien ; tout démontage ou toute

# Garantie (États-Unis)

réinstallation de l'appareil ; tout problème résultant d'une prolifération d'insectes nuisibles, d'une surchauffe ou d'un plat trop cuit par l'utilisateur. La présente garantie limitée ne peut s'étendre aux cas d'alimentation ou de tension électrique incorrectes, d'ampoules inappropriées, d'installations électriques défectueuses, aux cas de demandes d'assistance pour information ou de résolutions d'erreurs d'installation. En outre, elle ne prend pas en charge l'endommagement de la table de cuisson vitrée qui résulterait de l'utilisation de produits et de tampons nettoyants non recommandés, l'endommagement de la table de cuisson vitrée provoqué par des éclaboussures durcies de sucre ou de plastique fondu qui n'auraient pas été nettoyées selon les instructions fournies dans le manuel d'entretien et d'utilisation. SAMSUNG ne garantit pas un fonctionnement continu ou sans erreur de ce produit.

SAUF EXCEPTION MENTIONNÉE DANS LE PRÉSENT DOCUMENT, SAMSUNG NE FOURNIT AUCUNE GARANTIE SUR CET APPAREIL, EXPRESSE OU IMPLICITE, Y COMPRIS, MAIS SANS S'Y LIMITER, LES GARANTIES IMPLICITES DE QUALITÉ COMMERCIALE, DE CONTREFAÇON, OU D'APTITUDE À UN USAGE PARTICULIER. AUCUNE GARANTIE, QU'ELLE SOIT DONNÉE PAR UNE TIERCE PERSONNE, UNE ENTREPRISE OU UNE PERSONNE MORALE, NE POURRA ÊTRE CONSIDÉRÉE COMME UN ENGAGEMENT DE LA PART DE SAMSUNG. SAMSUNG N'ENDOSSE AUCUNE RESPONSABILITÉ EN CAS DE PERTE DE REVENU, DE MANQUE À GAGNER, D'INCAPACITÉ À RÉALISER DES ÉCONOMIES OU TOUT AUTRE AVANTAGE FINANCIER, OU EN CAS DE DOMMAGE RÉSULTANT DE L'UTILISATION OU D'UNE MAUVAISE UTILISATION DE CET APPAREIL OU D'UNE INCAPACITÉ À UTILISER CET APPAREIL, QUELLE QUE SOIT LA BASE LÉGALE SUR LAQUELLE REPOSE LA PLAINTÉ, ET MÊME SI SAMSUNG A ÉTÉ AVERTIE DE L'ÉVENTUALITÉ DE TELS DOMMAGES. TOUT TYPE DE COMPENSATION EXIGÉE AUPRÈS DE SAMSUNG NE SAURA EN AUCUN CAS EXCÉDER LE PRIX D'ACHAT DU PRODUIT VENDU PAR SAMSUNG ET À L'ORIGINE DES DOMMAGES ALLÉGUÉS. SANS LIMITATION AUX DISPOSITIONS SUSDITES, L'ACQUÉREUR PREND EN CHARGE TOUS LES RISQUES ET TOUTES LES RESPONSABILITÉS CONCERNANT LA PERTE, LES DOMMAGES OU LES BLESSURES SUBIS PAR L'ACQUÉREUR ET LES BIENS DE CELUI-CI ET TOUTE AUTRE PERSONNE OU BIEN RÉSULTANT DE L'UTILISATION, LA MAUVAISE UTILISATION DE L'APPAREIL OU L'INCAPACITÉ À UTILISER LE PRÉSENT APPAREIL. CETTE GARANTIE LIMITÉE N'EST VALABLE POUR PERSONNE D'AUTRE QUE L'ACHETEUR INITIAL DU PRODUIT, N'EST PAS TRANSFÉRABLE ET ÉNONCE VOTRE RECOURS EXCLUSIF.

Certaines provinces ou territoires peuvent autoriser ou non des limitations quant à la durée des garanties implicites, ou l'exclusion ou la limitation de dommages accessoires ou indirects ; il se peut par conséquent que les limitations et exclusions énoncées ci-dessus ne s'appliquent pas à votre cas. Cette garantie vous confère des droits légaux spécifiques, vous pouvez également avoir d'autres droits qui varient d'un État à l'autre. Les pièces remplacées par l'utilisateur peuvent être envoyées au client pour réparation. Si nécessaire, un ingénieur du service d'assistance pourra être envoyé pour effectuer les réparations.

Pour bénéficier d'un service d'assistance couvert par votre garantie, contactez SAMSUNG à l'adresse suivante :

Samsung Electronics America, Inc.

85 Challenger Road, Ridgefield Park, NJ 07660

1-800-SAMSUNG (726-7864) et [www.samsung.com/us/support](http://www.samsung.com/us/support)

# Garantie (CANADA)

**VEUILLEZ NE PAS JETER. CETTE PAGE REMPLACE LA PAGE DE GARANTIE  
CONTENUE DANS LE GUIDE D'UTILISATION ET D'ENTRETIEN.**

## **CUISINIÈRE ÉLECTRIQUE SAMSUNG**

### **GARANTIE LIMITÉE À L'ACHETEUR INITIAL**

Ce produit de la marque SAMSUNG, fourni, distribué par SAMSUNG ELECTRONICS CANADA, INC. (SAMSUNG) et livré neuf, s'accompagne d'une garantie de SAMSUNG contre tout vice de fabrication au niveau des pièces et de la main d'œuvre pendant une période limitée de :

**Garantie un (1) an pour les pièces et la main d'œuvre, cinq (5) ans pour les pièces de la table de cuisson vitrée et du chauffage par rayonnement**

**Durant cette extension de garantie de quatre ans, votre responsabilité sera engagée en cas d'éventuels frais de main d'œuvre ou de réparation à domicile.**

Cette limite de garantie s'applique à compter de la date d'acquisition et couvre uniquement les produits achetés et utilisés au CANADA. Pour se prévaloir du service de garantie, l'acheteur doit contacter SAMSUNG afin d'établir les procédures relatives au diagnostic et à l'intervention nécessaire. Pour être couverte par la garantie, la maintenance ne peut être effectuée que par un service technique agréé SAMSUNG. Lors de la remise d'un produit défectueux à SAMSUNG ou à un centre de service SAMSUNG agréé, l'acquéreur est tenu de présenter le coupon d'achat d'origine à la demande des intéressés à titre de preuve d'achat. Samsung vous assure un service à domicile pendant la période de garantie sans frais supplémentaires en fonction des disponibilités sur le territoire canadien contigu. Le service de réparation à domicile n'est pas disponible partout. Pour bénéficier du service à domicile, l'appareil doit être situé dans un emplacement dépourvu d'obstacle et accessible à notre personnel. En cas d'indisponibilité de ce service, Samsung pourra choisir le moyen de transport adéquat pour acheminer ou renvoyer l'appareil vers et depuis un centre de service agréé.

La société SAMSUNG prendra en charge, à sa convenance, la réparation ou le remplacement du produit à ses frais tel que stipulé dans les présentes conditions et procédera au remplacement ou au changement des pièces ou des produits si ces derniers s'avèrent défectueux dans la limite de la période de garantie mentionnée précédemment. Toute pièce ou tout produit remplacé devient la propriété de SAMSUNG et doit lui être restitué. Les pièces et produits de rechange sont protégés pour le reste de la période de garantie initiale ou pour quatre-vingt-dix (90) jours, selon l'éventualité la plus éloignée. Cette garantie limitée couvre les défauts de fabrication relatifs aux matériaux ou à la main-d'œuvre survenant dans le cadre d'un usage normal et non commercial de ce produit et ne s'applique pas aux situations suivantes : tout dommage survenant au cours de l'expédition, la livraison et l'installation ; toute utilisation de l'appareil contraire au but auquel il était destiné ; tout numéro de produit ou de série effacé ; tout dommage du revêtement extérieur ou de l'aspect du produit ; tout dommage causé par accident, abus, négligence, incendie, inondation, foudre ou autre catastrophe naturelle ; toute utilisation de produits, équipements, systèmes, appareils, services, pièces, fournitures, accessoires, applications, installations, réparations, câblages externes ou connecteurs non fournis ou autorisés par SAMSUNG et susceptibles d'endommager ledit appareil ou de nuire à son fonctionnement ; toute surtension, fluctuation ou tension de ligne électrique

# Garantie (CANADA)

incorrecte ; tout réglage effectué par l'acquéreur et non-respect des instructions de fonctionnement, d'entretien et de respect de l'environnement couvertes ou prescrites dans le présent carnet d'entretien ; tout démontage ou toute réinstallation de l'appareil ; tout problème résultant d'une prolifération d'insectes nuisibles, d'une surchauffe ou d'un plat trop cuit par l'utilisateur. La présente garantie limitée ne peut s'étendre aux cas d'alimentation ou de tension électrique incorrectes, d'ampoules inappropriées, d'installations électriques défectueuses, aux cas de demandes d'assistance pour information ou de résolutions d'erreurs d'installation. En outre, elle ne prend pas en charge l'endommagement de la table de cuisson vitrée qui résulterait de l'utilisation de produits et de tampons nettoyeurs non recommandés, l'endommagement de la table de cuisson vitrée provoqué par des éclaboussures durcies de sucre ou de plastique fondu qui n'auraient pas été nettoyées selon les instructions fournies dans le manuel d'entretien et d'utilisation. SAMSUNG ne garantit pas un fonctionnement continu ou sans erreur de ce produit.

SAUF EXCEPTION MENTIONNÉE DANS LE PRÉSENT DOCUMENT, SAMSUNG NE FOURNIT AUCUNE GARANTIE SUR CET APPAREIL, EXPRESSE OU IMPLICITE, Y COMPRIS, MAIS SANS S'Y LIMITER, LES GARANTIES IMPLICITES DE QUALITÉ COMMERCIALE, DE CONTREFAÇON, OU D'APTITUDE À UN USAGE PARTICULIER. AUCUNE GARANTIE, QU'ELLE SOIT DONNÉE PAR UNE TIERCE PERSONNE, UNE ENTREPRISE OU UNE PERSONNE MORALE, NE POURRA ÊTRE CONSIDÉRÉE COMME UN ENGAGEMENT DE LA PART DE SAMSUNG. SAMSUNG N'ENDOSSE AUCUNE RESPONSABILITÉ EN CAS DE PERTE DE REVENU, DE MANQUE À GAGNER, D'INCAPACITÉ À RÉALISER DES ÉCONOMIES OU TOUT AUTRE AVANTAGE FINANCIER, OU EN CAS DE DOMMAGE RÉSULTANT DE L'UTILISATION OU D'UNE MAUVAISE UTILISATION DE CET APPAREIL OU D'UNE INCAPACITÉ À UTILISER CET APPAREIL, QUELLE QUE SOIT LA BASE LÉGALE SUR LAQUELLE REPOSE LA PLAINTÉ, ET MÊME SI SAMSUNG A ÉTÉ AVERTIE DE L'ÉVENTUALITÉ DE TELS DOMMAGES. TOUT TYPE DE COMPENSATION EXIGÉE AUPRÈS DE SAMSUNG NE SAURA EN AUCUN CAS EXCÉDER LE PRIX D'ACHAT DU PRODUIT VENDU PAR SAMSUNG ET À L'ORIGINE DES DOMMAGES ALLÉGUÉS. SANS LIMITATION AUX DISPOSITIONS SUSDITES, L'ACQUÉREUR PREND EN CHARGE TOUS LES RISQUES ET TOUTES LES RESPONSABILITÉS CONCERNANT LA PERTE, LES DOMMAGES OU LES BLESSURES SUBIS PAR L'ACQUÉREUR ET LES BIENS DE CELUI-CI ET TOUTE AUTRE PERSONNE OU BIEN RÉSULTANT DE L'UTILISATION, LA MAUVAISE UTILISATION DE L'APPAREIL OU L'INCAPACITÉ À UTILISER LE PRÉSENT APPAREIL. CETTE GARANTIE LIMITÉE N'EST VALABLE POUR PERSONNE D'AUTRE QUE L'ACHETEUR INITIAL DU PRODUIT, N'EST PAS TRANSFÉRABLE ET ÉNONCE VOTRE RECOURS EXCLUSIF.

Certains États et certaines juridictions n'autorisent pas de limitations quant à la durée des garanties implicites ni l'exclusion ou la limitation de dommages accessoires ou indirects ; il se peut par conséquent que les limitations et exclusions énoncées ci-dessus ne s'appliquent pas à votre cas. Cette garantie vous confère des droits légaux spécifiques, vous pouvez également avoir d'autres droits qui varient d'un État à l'autre.

Pour bénéficier d'un service d'assistance couvert par votre garantie, contactez SAMSUNG à l'adresse suivante :

Samsung Electronics Canada Inc.  
2050 Derry Road West, Mississauga, Ontario L5N 0B9 Canada  
1-800-SAMSUNG (726-7864) et [www.samsung.com/ca/support](http://www.samsung.com/ca/support) (English),  
[www.samsung.com/ca\\_fr/support](http://www.samsung.com/ca_fr/support) (French)

# Notes

---

# Notes

---

# Notes

---