

# ME21R7051SS

SAMSUNG

## 2.1 cu. ft. Over-the-Range Microwave with Sensor Cooking



### Signature Features

#### Sensor Cook

- Automatically adjusts cooking time for optimal results.

#### Fingerprint Resistant

- Special coated exterior ensures your microwave remains spotless even with daily use.

#### Ceramic Enamel Interior

- Scratch-resistant and easy-to-clean interior.
- Makes removing grease or oil effortless and protects against scratches from daily use.

### Available Colors



Fingerprint Resistant  
Stainless Steel (shown)



Fingerprint Resistant  
Black Stainless Steel



Sensor Cook



Ceramic Enamel Interior

### Features

- Extra-Large 2.1 cu. ft. Capacity
- 1000 Watts of Cooking Power
- 400 CFM Ventilation System
- Ceramic Enamel Interior
- Cooktop Lighting (LED): High/Low/Off
- Charcoal/Grease Vent Filter
- 10 Power Levels
- Two-Stage Programmable Cooking
- Smart & 1- Pound Defrost
- Auto Cook
- LED Display

### Convenience

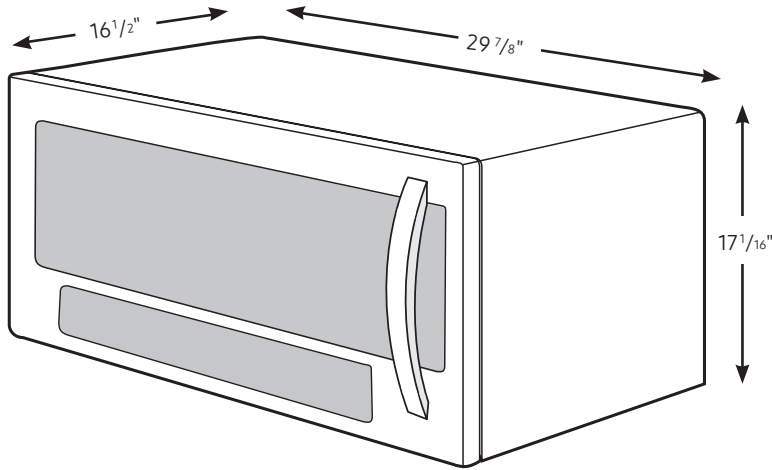
- Kitchen Timer
- Child Safety Lock
- Vent Fan Control: On/Off/Delay Off
- Sound On/Off
- Eco Mode (Reduces Standby Power)

# ME21R7051SS

# SAMSUNG

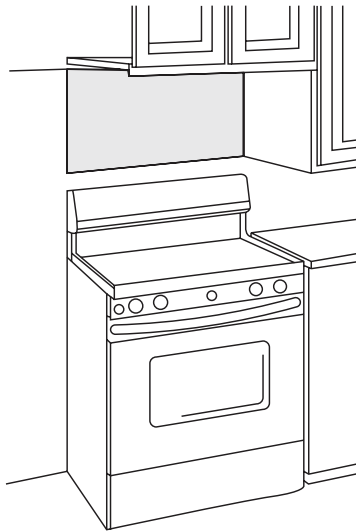
## 2.1 cu. ft. Over-the-Range Microwave with Sensor Cooking

### Dimensions



### Installing Your Microwave

- This microwave oven is designed for adaptation to the following three types of ventilation:
  - A. Outside Top Exhaust (Vertical Duct)
  - B. Recirculating (Non-Vented Ductless)
  - C. Outside Back Exhaust (Horizontal Duct)
- The space between the cabinets must be 30" wide and free of obstructions.
- This microwave oven is for installation over ranges up to 36" wide.
- The microwave must be level. Use a level to make sure the cabinet bottom is level. If the cabinets have a front overhang only, with no back or side frame, install the mounting plate down the same distance as the front overhang depth. This will keep the microwave level.



### Specifications

- Oven Cavity: 2.1 cu. ft.
- Power Output: 1000W
- Power Consumption: 1700W/14.5 A
- Power Source: 120V/60 Hz
- Control Method: Digital (Membrane Touch)
- Display: LED (Ice Blue)
- Cooking Control: 10 Power Levels Including Defrost
- Microwave Distribution System: Rotating Turntable + Stirrer
- Glass Turntable Diameter: 14 3/16"
- Vent Fan: 400 CFM
- Vent Fan Control: On/Off/Delay Off
- Cooktop Lighting: High/Low/Off
- Incandescent Interior Light

### Warranty

One (1) Year All Parts and Labor  
Ten (10) Years on Magnetron

### Product Dimensions & Weight (WxHxD)

Cavity Dimensions: 22 1/8" x 10 13/16" x 14 7/8"  
Outside Net Dimensions: 29 7/8" x 17 1/16" x 16 1/2"  
Weight: 60 lbs

### Shipping Dimensions & Weight (WxHxD)

Dimensions: 33 3/8" x 20 13/16" x 19 3/8"  
Weight: 67.2 lbs

Color	Model #	UPC Code
Fingerprint Resistant Stainless Steel	ME21R7051SS	887276333809
Fingerprint Resistant Black Stainless Steel	ME21R7051SG	887276333793

FOR EASIER INSTALLATION AND PERSONAL SAFETY, WE RECOMMEND THAT TWO PEOPLE INSTALL THIS MICROWAVE OVEN. IMPORTANT: Do not grip or use handle during installation.

NOTE: If your cabinet is metal, use the nylon grommet around the power cord hole to prevent cutting of the cord.

NOTE: We recommend using filler blocks if the cabinet front hangs below the cabinet bottom shelf.

IMPORTANT: If filler blocks are not used, case damage may occur from over tightening screws.

NOTE: When mounting the microwave oven, thread power cord through hole in bottom of top cabinet. Do not pinch cord or lift oven by pulling cord.