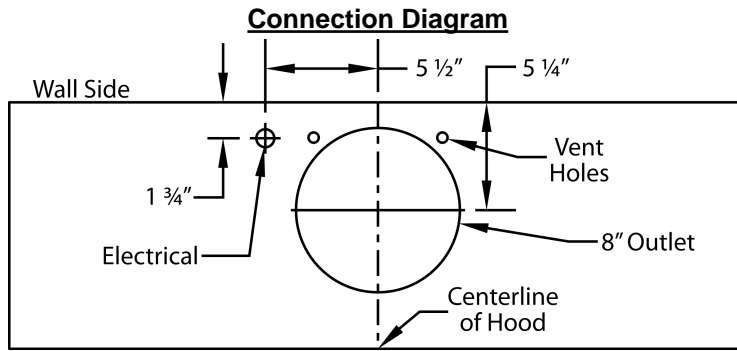
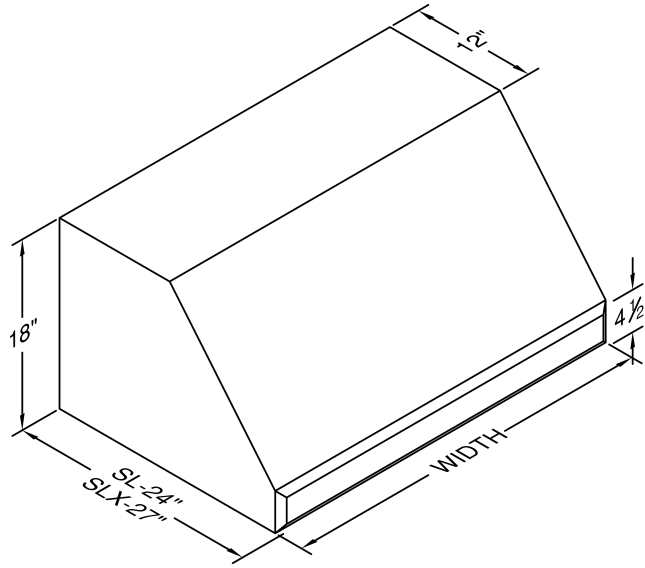


### SLH18-248

Halogen lights. WBAR warming light bar is available on selected models.

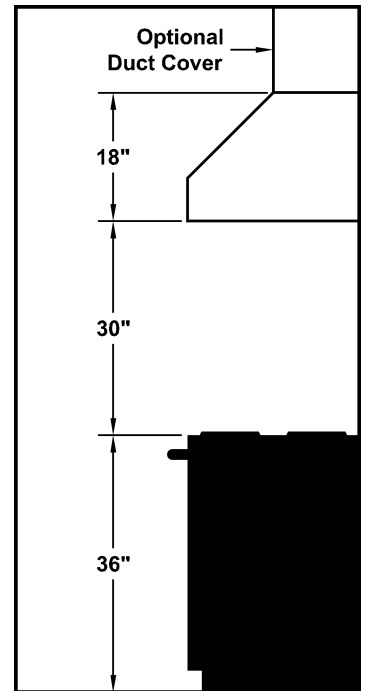
#### Dimensional Information

|               |       |
|---------------|-------|
| Width         | 48.0  |
| Depth         | 24.0  |
| Height        | 18.0  |
| CFM @ 0.0" SP | 600.0 |
| Sones         | 6.5   |
| Amps          | 4.4   |
| # Lights      | 3.0   |



600 CFM B200 Dual Blower (Top View)

#### Recommended Mounting Height\*



\*Exceeding recommended mounting height may compromise performance.

#### Electrical/Mechanical Specifications For Blower Unit

| Model     | Volts | Amps* | Hz   | RPM    | CFM SP@0.0" | Equivalent CFM | CFM SP@0.1" | CFM SP@0.2" | CFM SP@0.3" | Minimum Round Duct Size | Sones# |
|-----------|-------|-------|------|--------|-------------|----------------|-------------|-------------|-------------|-------------------------|--------|
| B200 Dual | 115.0 | 2.9   | 60.0 | 1550.0 | 600.0       | 900.0          | 531.0       | 480.0       | 430.0       | 8" (50 sq. in.)         | 6.5    |

+ Add 2.5 amps for each warming light. This model is equipped with halogen lighting: (2 lights: 30" - 41", 3 lights: 42" - 53", 4 lights: 54" - 66").

\$ Because the Magic Lung® blower uses centrifugal filtration rather than conventional baffle or mesh filters, the Magic Lung® blower can handle cooking equipment with higher cubic feet per minute (CFM) requirements and can deliver equivalent CFM much more efficiently than other filtration systems. When comparing the Magic Lung® with other blower units made by other manufacturers, use the "Equivalent CFM".

# Ratings in accordance with the Standard Test Code by the Energy Systems Laboratory of the Texas Engineering Experiment Station.