

24 " Recessed Handle Dishwasher

300 Series- Stainless steel

SHE43RF5UC



Features and Benefits

Key Features

- 48 dBA- Quietest in its class
- Sanitize Option eliminates bacteria and enhances drying results
- AquaStop® Leak Protection
- 300 Series Racks
- InfoLight® Beams on the Floor to Indicate Dishwasher is Running

Design

- Stainless Steel TallTub
- Silver Painted Fascia in Stainless Steel

Performance

- 48 dBA- Quietest in its class
- InfoLight® Beams on the Floor to Indicate Dishwasher is Running
- 4 Wash Cycles and 1 Options
- Sanitize Option eliminates bacteria and enhances drying results

Efficiency

- Saves up to 280 gallons of water each year
- 259 kwh/yr - Energy Star®
- Exceeds ENERGY STAR Requirements for Water by 69%
- EcoSense™ Reduces Energy Usage by up to 20%
- Half Load Cycle for small loads

Convenience

- AquaStop® Leak Protection
- Express Wash - In 30 Minutes or Less

Capacity

- 14 Place Setting Capacity
- 300 Series Racks



Notes: All height, width and depth dimensions are shown in inches. *Please refer to installation instructions prior to making cutout. BSH reserves the absolute and unrestricted right to change product materials and specifications, at any time, without notice. Consult the product's installation instructions for final dimensional data and other details. Applicable product warranty can be found in a accompanying product literature or you may contact your account manager for further details.

For more information on our entire line of products, go to boschappliances.com or call 1-800-944-2904.
Copyright ©2014 BSH Home Appliances Corporation. All rights reserved. Bosch is a registered trademark of Robert Bosch GmbH.

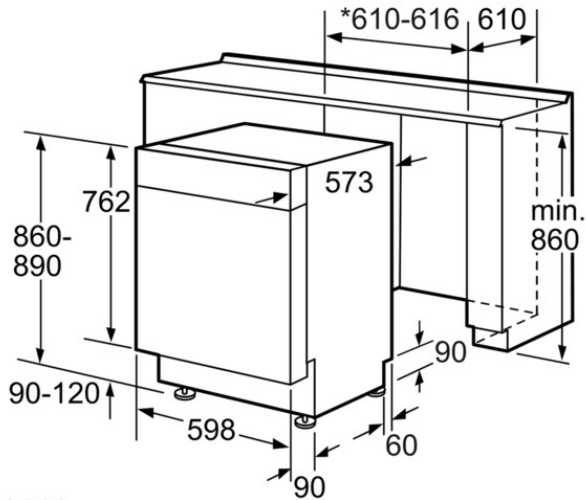
Litho Date: 01/2014



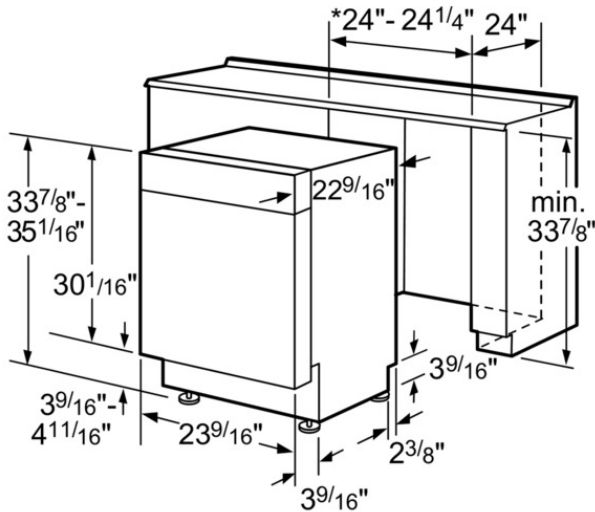
24 " Recessed Handle Dishwasher

300 Series- Stainless steel

SHE43RF5UC



* 600
without decor strips Measurements in mm



* 23 5/8" without decorative strip
measurements in inches

Features

Watts (W)	1400
Current (A)	12
Volts (V)	120
Frequency (Hz)	60
Power Cord Length	
Minimum Water Pressure (lb/sin)	15.0
Length inlet hose (in)	
Length outlet hose (in)	90 1/2
Overall appliance dimensions (HxWxD) (in)	33 7/8 " x 23 9/16 "
	9/16 " x 22 9/16 "
Required cutout size (HxWxD) (in)	33 7/8 " x 24 " x 24 "
Adjustable feet	Yes

Technical Specification

Number of wash cycles	1
Number of options	4
Third Rack	
Tub material	Stainless steel
Concealed heating element	Yes
Leak protection system	Aqua Stop
Five-level wash	Yes
Water softener	No
ChildLock	No
Total annual energy consumption (kWh)	259
Energy Efficiency Class	
Energy Star® qualified	Yes
Total annual energy consumption (kWh)	
Total annual water consumption (g)	
Number of place settings	14

Notes: All height, width and depth dimensions are shown in inches. *Please refer to installation instructions prior to making cutout. BSH reserves the absolute and unrestricted right to change product materials and specifications, at any time, without notice. Consult the product's installation instructions for final dimensional data and other details. Applicable product warranty can be found in a accompanying product literature or you may contact your account manager for further details.

For more information on our entire line of products, go to boschappliances.com or call 1-800-944-2904.
Copyright ©2014 BSH Home Appliances Corporation. All rights reserved. Bosch is a registered trademark of Robert Bosch GmbH.

Litho Date: 01/2014

