

Model: P2D2-15

Type: DVC Subwoofer

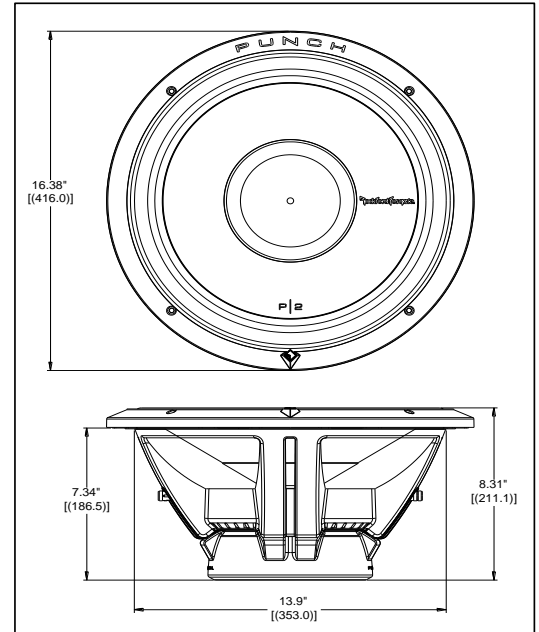
Power Rating: 400 Watts (RMS)

Impedance: (2) 2 ohms



Features

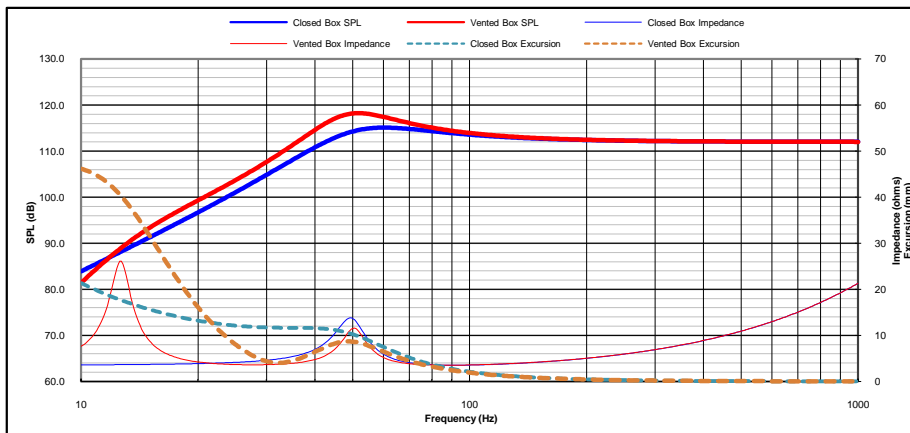
- High modulus Kevlar™ re-inforced paper-pulp cone.
- Dual tear & fatigue resistant poly-cotton spider.
- Tall-profile VAST™ Santoprene™ surround
- High temp 2.25" voice coil w/ spun-laced Nomex™ insulating re-reinforcement collar
- Optimized motor magnetics with extended pole and bumped vented backplate.
- Fatigue resistant and reduced strain "stitched on" flexible lead wire design.
- Proprietary spider venting/cooling technique
- Multi-point high-temp/high-strength neck joint bonding technique.
- Sturdy 16 guage compound bend frame geometry.
- Semi-flexible, PVC removable protective motor cover.
- Proprietary all metal, radially oriented compression input terminal assembly.
- Flex-fit™ Mounting pattern
- Die-Cast aluminum soft-touch painted trim ring allows for optional integrated grill



Recommended Applications

Enclosure	Volume (Vb)		Tuning(Fb)	System (Qtc)	-3dB (F3)	Port Dia.		Port Length	
	Liters	cu.ft.	Hz		Hz	in.	cm	in.	cm
Sealed:	44.7	1.58	37.0	1.28	36.6	-	-	-	-
Ported:	75.3	2.66	32.0	-	31.8	4.0	101.6	12.4	31.6

SPL & Excursion (at 400 Watts) / Impedance (at 1 Watt)



Thiele-Small Specifications

- Fs (Hz): 20.0
- Re (Ohms): 3.30
- Le (mH): 3.4
- Qts: 0.62
- Qes: 0.69
- Qms: 6.40
- Cms (mm/N): 0.19
- Vas (L): 219.6
- Mms (g): 327.2
- Mmd (g): 311.8
- Rms (kg/s): 6.4
- Airload (g): 15.4
- No (%): 0.24
- SPL (dB - 1W/1M): 86.0
- BL (T*M): 14.1
- *Xmax₁₀ (mm): 13.3
- Sd (cm²): 894
- EBP: 29
- Krm (mOhms): 0.54
- Erm: 1.26
- Kxm (mH): 30.8
- Exm: 0.78
- Rem (Ohms): 32.97

* All parameters are derived using a laser velocity measurement method and verified with actual measured Mmd and Re. All dual voice coil models are wired in series. Xmax₁₀ represents actual effective excursion at <10% THD.

Technical Specifications

Voice Coil Diameter:	2.25	57.15	inches mm
Voice Coil Height:	1.18	30.0	inches mm
Voice Coil Layers:	4		layers
Magnetic Gap Height:	0.39	10.0	inches mm
Linear Excursion, (Xmax):	0.48	12.1	inches mm
Maximum Excursion (mech), pk-pk:	2.25	57.2	inches mm
Magnet Weight:	72.8	2.06	oz. kg
Woofers Displacement:	4.8	0.170	liters cubic ft.
Net Weight:	14	6.4	lbs. kg
Power Rating:	400	800	RMS Peak

Above specifications and dimensions comply with the CEA-2031 standard.

Specifications subject to change without notice.