

**Model:** P2D2-12

**Type:** DVC Subwoofer

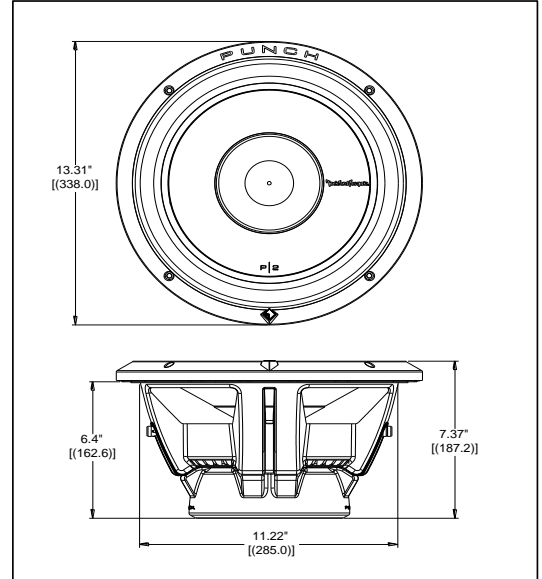
**Power Rating:** 400 Watts (RMS)

**Impedance:** (2) 2 ohms



**Features**

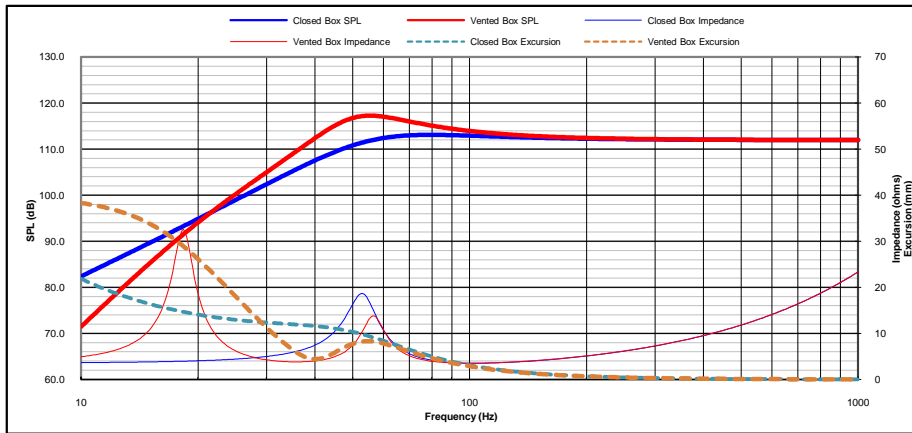
- High modulus Kevlar™ re-inforced paper-pulp cone.
- Dual tear & fatigue resistant poly-cotton spider.
- Tall-profile VAST™ Santoprene™ surround
- High temp 2.25" voice coil w/ spun-laced Nomex™ insulating re-reinforcement collar
- Optimized motor magnetics with extended pole and bumped vented backplate.
- Fatigue resistant and reduced strain "stitched on" flexible lead wire design.
- Proprietary spider venting/cooling technique
- Multi-point high-temp/high-strength neck joint bonding technique.
- Sturdy 16 guage compound bend frame geometry.
- Semi-flexible, PVC removable protective motor cover.
- Proprietary all metal, radially oriented compression input terminal assembly.
- Flex-fit™ Mounting pattern
- Die-Cast aluminum soft-touch painted trim ring allows for optional integrated grill



**Recommended Applications**

Enclosure	Volume (Vb)		Tuning(Fb)	System (Qtc)	-3dB (F3)	Port Dia.		Port Length	
	Liters	cu.ft.	Hz		Hz	in.	cm	in.	cm
Sealed:	28.9	1.02	44.9	0.94	43.7	-	-	-	-
Ported:	50.7	1.79	40.0	-	35.0	4.0	101.6	11.8	30.1

**SPL & Excursion (at 400 Watts) / Impedance (at 1 Watt)**



**Thiele-Small Specifications**

- Fs (Hz): 26.0
- Re (Ohms): 3.30
- Le (mH): 3.7
- Qts: 0.52
- Qes: 0.56
- Qms: 6.50
- Cms (mm/N): 0.18
- Vas (L): 81.5
- Mms (g): 212.0
- Mmd (g): 204.2
- Rms (kg/s): 5.3
- Airload (g): 7.8
- No (%): 0.24
- SPL (dB - 1W/1M): 86.0
- BL (T\*M): 14.3
- \*Xmax<sub>10</sub> (mm): 13.3
- Sd (cm<sup>2</sup>): 570
- EBP: 46
- Krm (mOhms): 0.59
- Erm: 1.26
- Kxm (mH): 29.7
- Exm: 0.79
- Rem (Ohms): 36.02

\* All parameters are derived using a laser velocity measurement method and verified with actual measured Mmd and Re. All dual voice coil models are wired in series. Xmax<sub>10</sub> represents actual effective excursion at <10% THD.

**Technical Specifications**

Voice Coil Diameter:	2.25	57.15	inches   mm
Voice Coil Height:	1.18	30.0	inches   mm
Voice Coil Layers:	4		layers
Magnetic Gap Height:	0.39	10.0	inches   mm
Linear Excursion, (Xmax):	0.48	12.1	inches   mm
Maximum Excursion (mech), pk-pk:	2.25	57.2	inches   mm
Magnet Weight:	72.8	2.06	oz.   kg
Woofers Displacement:	4.8	0.170	liters   cubic ft.
Net Weight:	14	6.4	lbs.   kg
Power Rating:	400	800	RMS   Peak

Above specifications and dimensions comply with the CEA-2031 standard.

Specifications subject to change without notice.