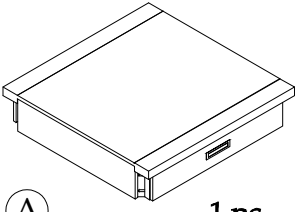

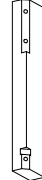
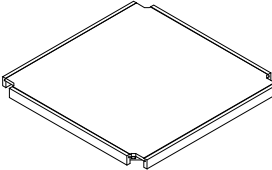
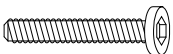



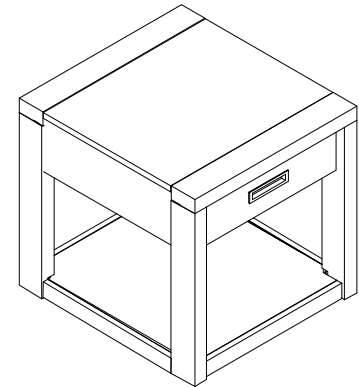


Components and Hardware List

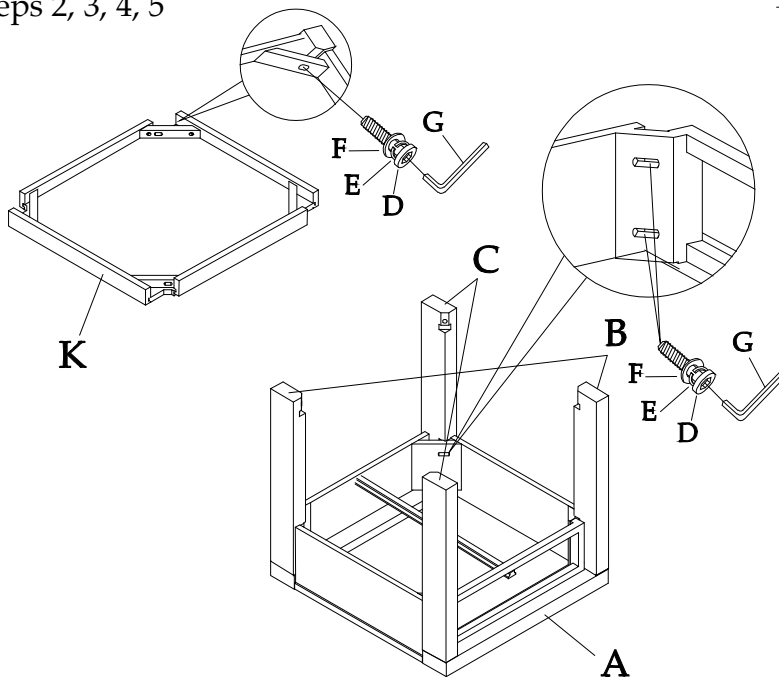
Table Top  (A) 1 pc	Left Legs  (B) 2 pcs	Right Legs  (C) 2 pcs	Bottom Shelf  (K) 1 pc
M5/16" x 2" Allen Head Bolt  (D) 12 pcs.	5/16" Spring Washer  (E) 12 pcs.	5/16" Flat Washer  (F) 12 pcs.	5mm Allen Wrench  (G) 1 pc.



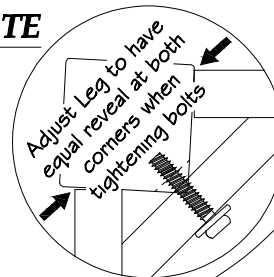
75809 End Table

- Step 1:** Place the Table Top upside down on a soft surface such as a blanket or carpet and remove the drawers.
- Step 2:** Attach three Legs (B & C) into the proper corners of the Table Top (A) using the Allen Head Bolts (D), Spring Washers (E) and Flat Washers (F). Do not fully tighten until after Step 4.
- Step 3:** Carefully position the Bottom Shelf (K) into the notches of the three legs attached to the Table Top.
- Step 4:** Position the fourth Leg into the corner of the Table Top and Shelf and attach using the same Bolts and Washers as before.
- Step 5:** Tighten all Bolts with the Allen Wrench (G)
- Step 6:** Carefully set the assembled table upright and reinstall the Drawer.

Steps 2, 3, 4, 5



NOTE



Step 6

