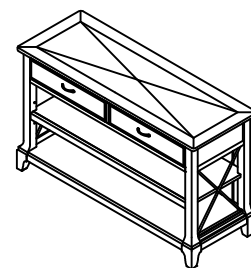


### Components and Hardware List



#50716 Console Table

Furniture Tipping Restraint Kit



<b>Table Top</b> <p><b>(A)</b> 1 pc.</p>	<b>Upper Shelf</b> <p><b>(B)</b> 1 pc.</p>	<b>Leg Frames (left &amp; right)</b> <p><b>(C)</b> 2 pcs.</p>	<b>Bottom Shelf</b> <p><b>(D)</b> 1 pc.</p>
<b>Back Panel</b> <p><b>(E)</b> 1 pc.</p>	<b>M1/4" - 20 x 1-1/2" Long Allen Head Bolt</b> <p><b>(F)</b> 12 pcs.</p>	<b>1/4" Spring Washer</b> <p><b>(G)</b> 12 pcs.</p>	<b>1/4" x 19mm Flat Washer</b> <p><b>(H)</b> 12 pcs.</p>
<b>4mm Allen Wrench</b> <p><b>(I)</b> 1 pc.</p>		<b>Shelf Pin</b> <p><b>(K)</b> 4 pcs.</p>	<b>3 x 14 (1/2") Wood Screw</b> <p><b>(L)</b> 28 pcs.</p>
			<b>(M)</b> 1 pc.

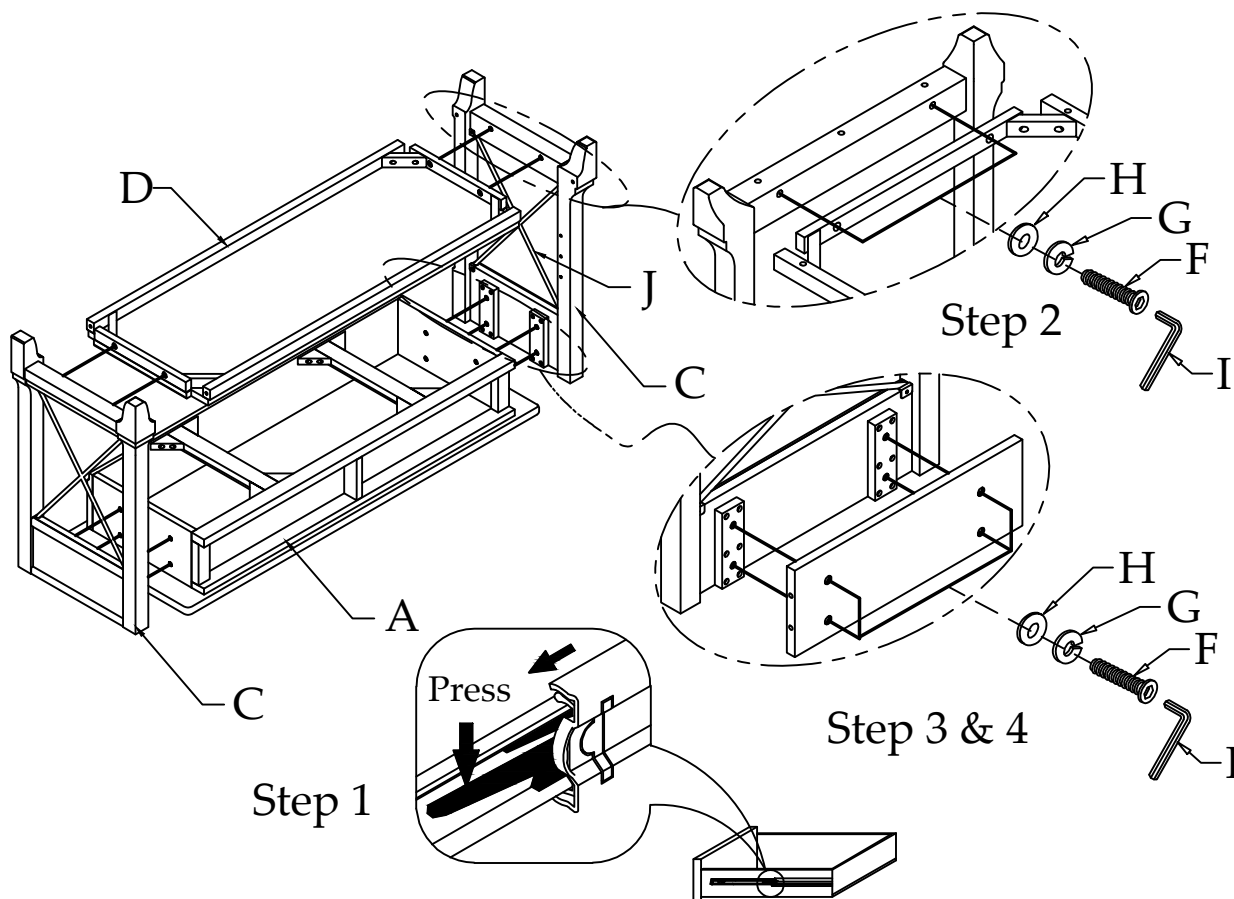
Be sure to check all packing material carefully for small parts, which may have come loose inside the carton during shipment.

To prevent possible scratches and damage, this furniture should be assembled on a soft surface such as a blanket or carpet.

Step 1: Place the Table Top upside down and remove the drawers.

Step 2: Attach the Leg Frames (C) to the Table Top (A) using the Allen Head Bolts (F), Spring Washers (G) and Flat Washers (H). Do not fully tighten until after Step 4.

Step 3: Carefully position the Bottom Shelf (D) to the Leg Frames (C) using the same Bolts and Washers as in previous Step. Tighten all Bolts with the Allen Wrench (I)

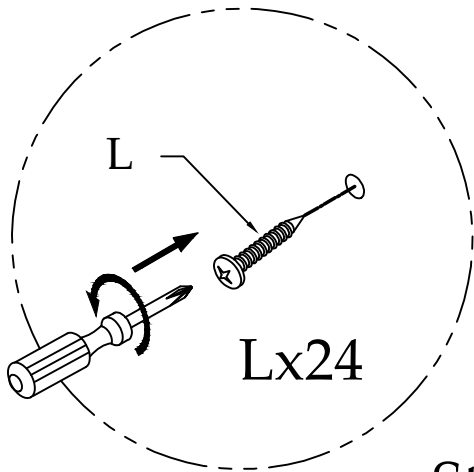


Step 5: Carefully set the assembled table upright.

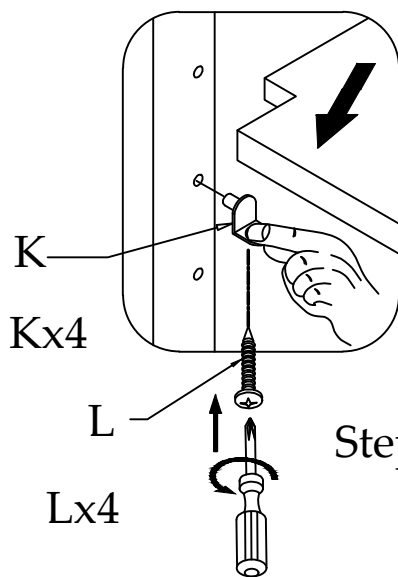
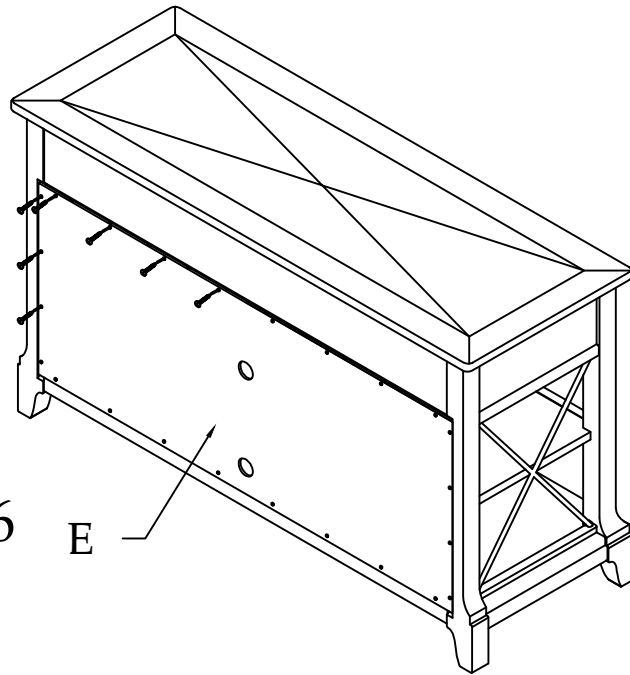
Step 6: Attach the Back Panel (E) onto the back of the Console, using your Phillips Screwdriver and the Wood Screws (L).

Step 7: Install the Shelf Pins (K) into the desired level of holes and place the Upper Shelf (B) onto the Shelf Pins and fixed by using your Phillips Screwdriver and the Wood Screws (L).

Step 8: Reinstall the Drawers



Step 6



Step 7

Step 8



Furniture Tipping Restraint Kit (M)  
(Inside White Plastic Bag)