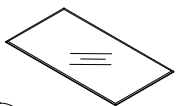
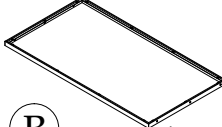
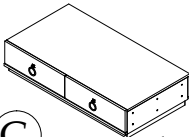
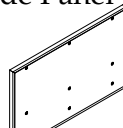
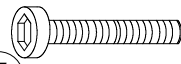
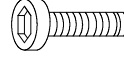



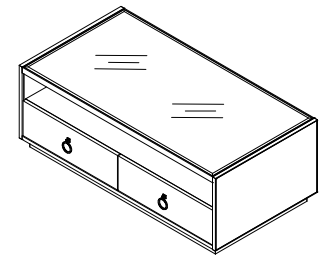


## Components and Hardware List

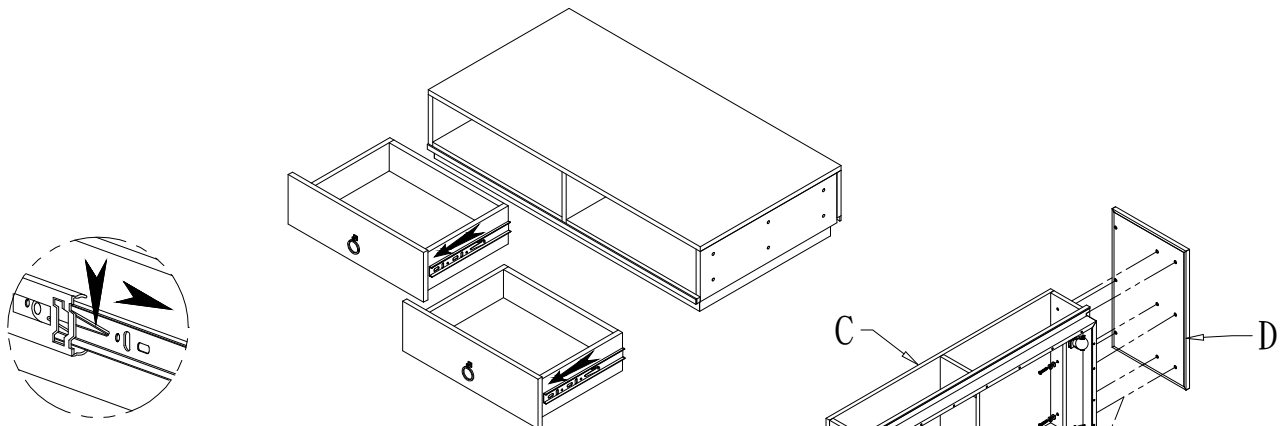
<p><b>Glass</b></p>  <p><b>(A)</b> 1 pc.</p>	<p><b>Top Frame</b></p>  <p><b>(B)</b> 1 pc.</p>	<p><b>Storage Box</b></p>  <p><b>(C)</b> 1 pc.</p>	<p><b>Side Panel</b></p>  <p><b>(D)</b> 2 pcs.</p>
<p>M1/4"-20 x 1-1/4" Long Allen Head Bolt</p>  <p><b>(E)</b> 12 pcs.</p>	<p>M1/4"-20 x 3/4" Long Allen Head Bolt</p>  <p><b>(F)</b> 6 pcs.</p>	<p>1/4" Spring Washer</p>  <p><b>(G)</b> 18 pcs.</p>	<p>1/4" x 16 x 2mm Flat Washer</p>  <p><b>(H)</b> 18 pcs.</p>
<p>4mm Allen Wrench</p>  <p><b>(I)</b> 1 pc.</p>	<p>Be sure to check all packing material carefully for small parts, which may have come loose inside the carton during shipment.</p> <p>To prevent possible scratches and damage, this furniture should be assembled on a soft surface such as a blanket or carpet.</p>		



#50302  
Rectangle  
Cocktail Table

**Step 1:** Remove both Drawers from the Storage Box (C) and lay them aside. Take note where each is removed from so the correct drawer can be reinstalled back into the correct opening.

**Step 2:** Place the Storage Box on its back side and attach the Side Panels (D) to the ends of the Storage Box using the 1-1/4" Long Allen Head Bolts (E), Spring Washers (G) and Flat Washers (H). Do not fully tighten until after Step 4.

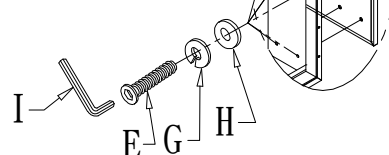


To remove the drawer:

- Pull the drawer fully open so the black latch is visible in the inside channel of the guides.
- Release the latches by simultaneously pushing one lever up and the other down.
- At the same time, pulling the drawer forward until the slides release.

To reinstall the drawers, carefully align the channels of the guide and push drawer back into Dresser. Open and close drawer fully a couple times to verify proper operation.

Step 1 & 2

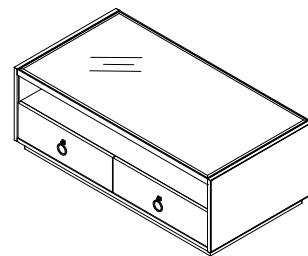


Step 3: Carefully position the Top Frame to the top edges of the Side Panels.

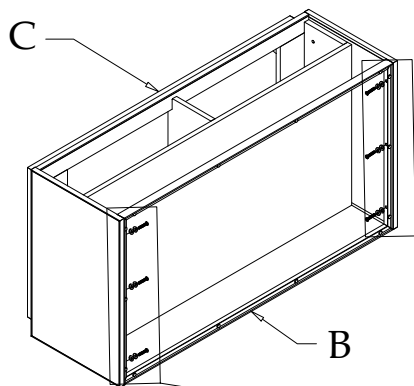
Step 4: Attach the Top Frame to the Side Panels using the 3/4" Long Bolts and the same Washers as in the previous Step. Adjust the fit of all parts if needed and tighten all Bolts with the Allen Wrench (I).

Step 5: Carefully set the assembled Table upright and install the Top Glass into the Table Top.

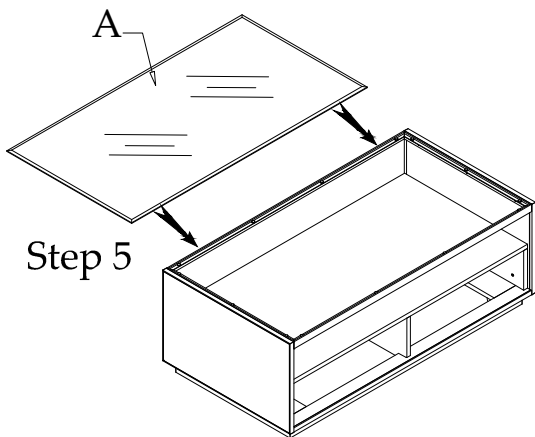
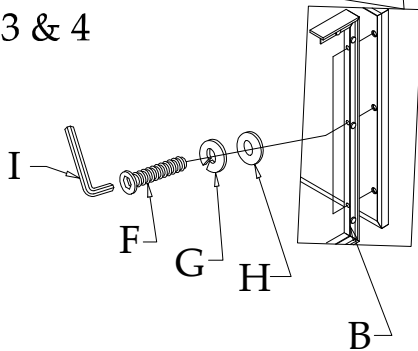
Step 6: Reinstall the Drawers back into the proper locations.



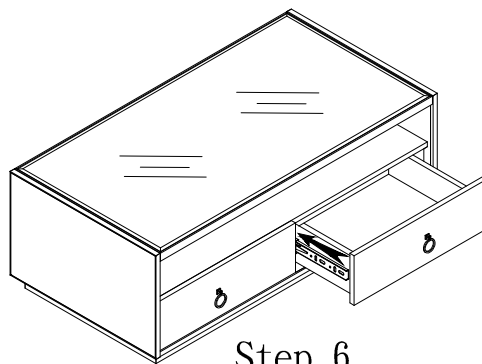
#50302  
Rectangle  
Cocktail Table



Step 3 & 4



Step 5



Step 6