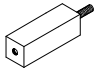


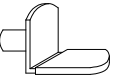
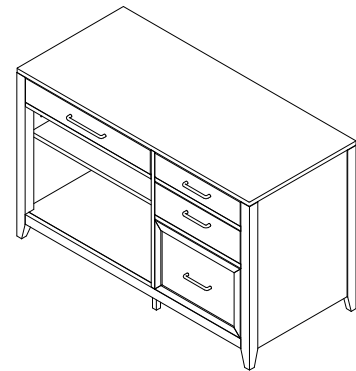


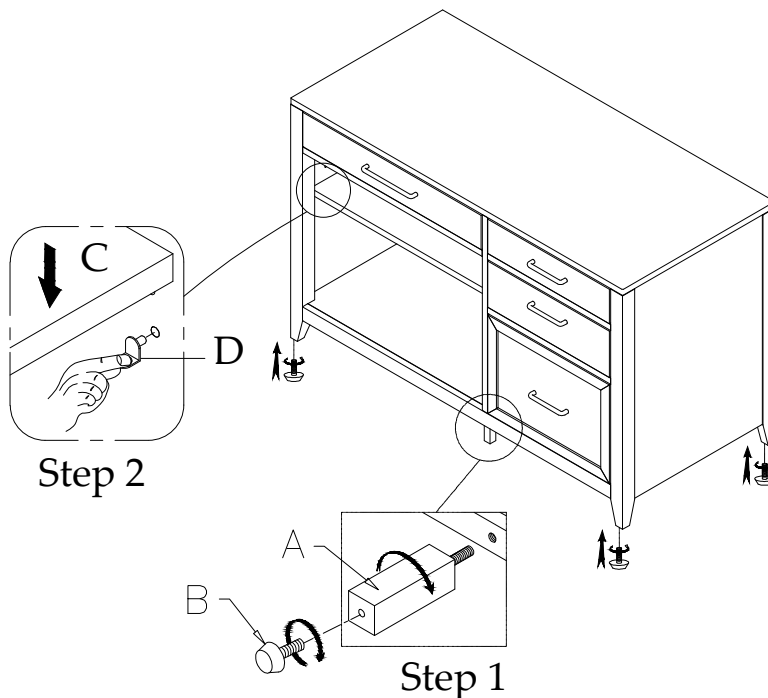
Components and Hardware List

<p>Middle Support Leg</p>  <p>(A) 1 pc.</p>	<p>Leveler</p>  <p>(B) 5 pcs.</p>	<p>Wood Shelf</p>  <p>(C) 1 pc.</p>
<p>Shelf Support</p>  <p>(D) 4 pcs.</p>		



#46033-46133-46233
Computer Credenza

Be sure to check all packing material carefully for small parts, which may have come loose inside the carton during shipment.



To prevent possible scratches and damage, this furniture must be assembled by two people on a soft surface such as a blanket or carpet.

Step 1: Assemble the Leveler (B) into the Middle Support Leg (A) and attach the Leg to the bottom of the Computer Credenza. The Leveler can be adjusted to support the middle of the cabinet, if needed.

Step 2. Install the Shelf Supports (D) into the selected set of holes. Install the Wood Shelf (C) onto the Shelf Pins.